

FULL ASSEMBLY INSTRUCTIONS

Before assembling your bed frame, please read through these instructions carefully and familiarize yourself with the different parts.

ATTENTION! If you receive a damaged or defective item, please contact [afifurnishings.com](mailto:customerservice@afifurnishings.com) at customerservice@afifurnishings.com or 1-800-955-3726



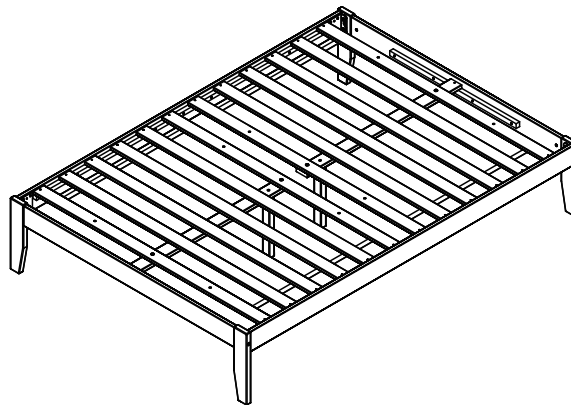
PARTS LIST

- | | | |
|---|------------------|--------|
| 1 | RIGHT LEG | 2 PCS |
| 2 | LEFT LEG | 2 PCS |
| 3 | FOOT / HEAD RAIL | 2 PCS |
| 4 | SIDE RAIL | 2 PCS |
| 5 | SLAT KIT | 2 SETS |
| 6 | SLAT SUPPORT | 2 PCS |
| 7 | SLAT SUPPORT LEG | 2 PCS |

HARDWARE

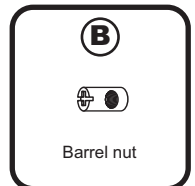
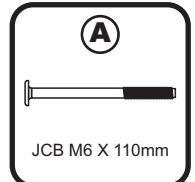
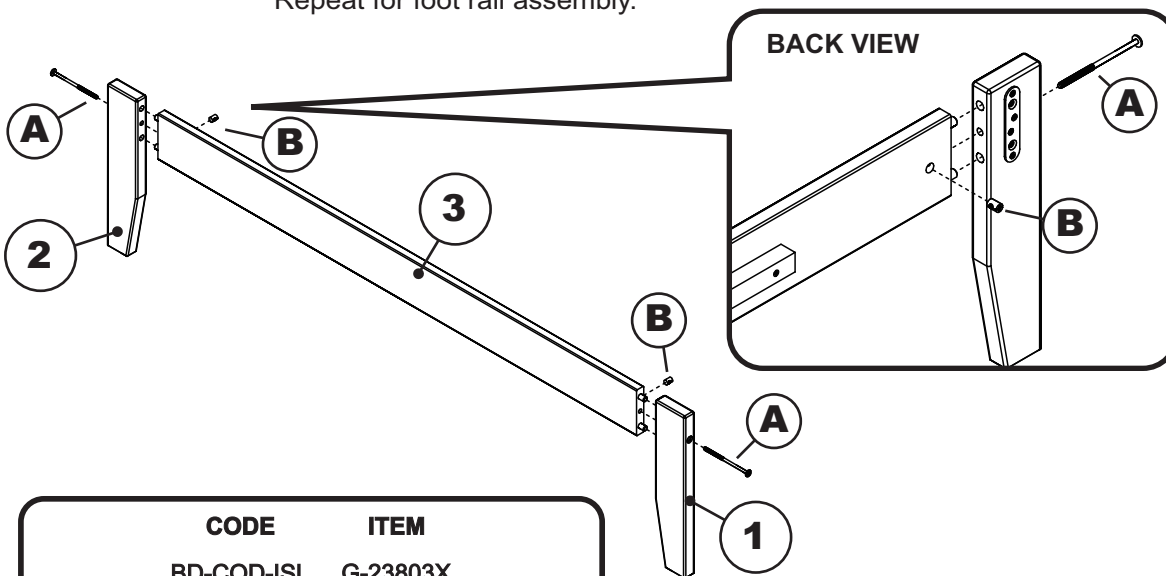
- | | | | |
|---|-------------------------------------------------|---|---------------------------------------------------------------------|
| A | JCB M6 X 110mm (4 3/8") - 4 pcs
Spare - 1 pc | G | Allen Screw - 2 pcs |
| B | Barrel nut - 4 pcs | H | Allen wrench M6 - 1pc |
| C | JCB M8 X 15mm (5/8") - 8 pcs | I | Allen wrench M4 - 1pc
Spare - 1pc |
| D | Wood screw (1 1/4") - 26 pcs
Spare - 2 pcs | J | Surface Mount Charger - 1set
Screws 1/2" - 2 pcs
Spare - 1 pc |
| E | JCB M6 X 25mm(1") - 4pcs | | |
| F | Cap nut - 4pcs | | |

NOTE: WE INCLUDE SPARE HARDWARE IN CASE DAMAGE OCCURS DURING ASSEMBLY.



Step 1

Attach the right leg (1) and left leg (2) to the head rail (3) using JCB M6 X 110mm (A) and barrel nut (B). Tighten with the Allen wrench M4 (F). Repeat for foot rail assembly.

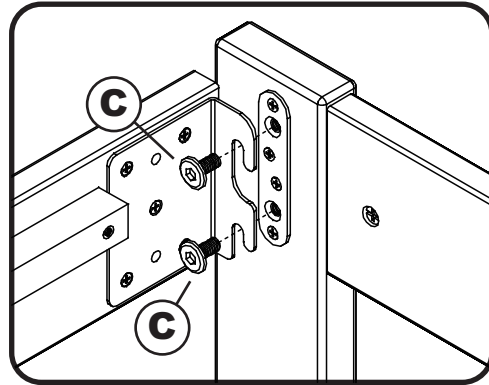
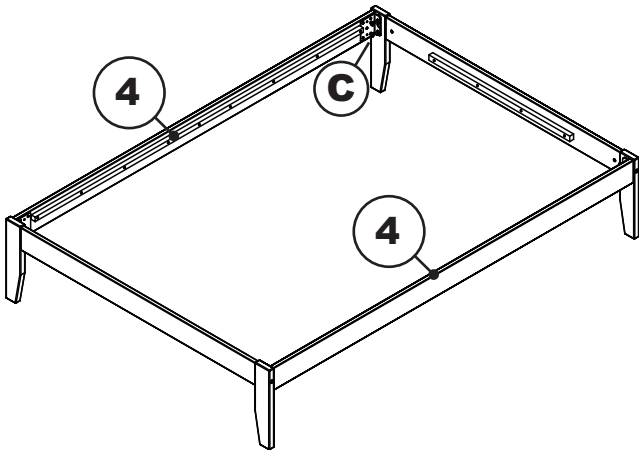


CODE	ITEM
BD-COD-ISL	G-23803X

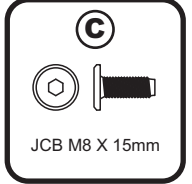
PO:

Step 2

Attach the foot rail or head rail to side rails (4) using JCB M8 X 15mm (C). Tighten with the Allen wrench M6 (E).



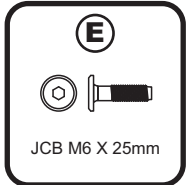
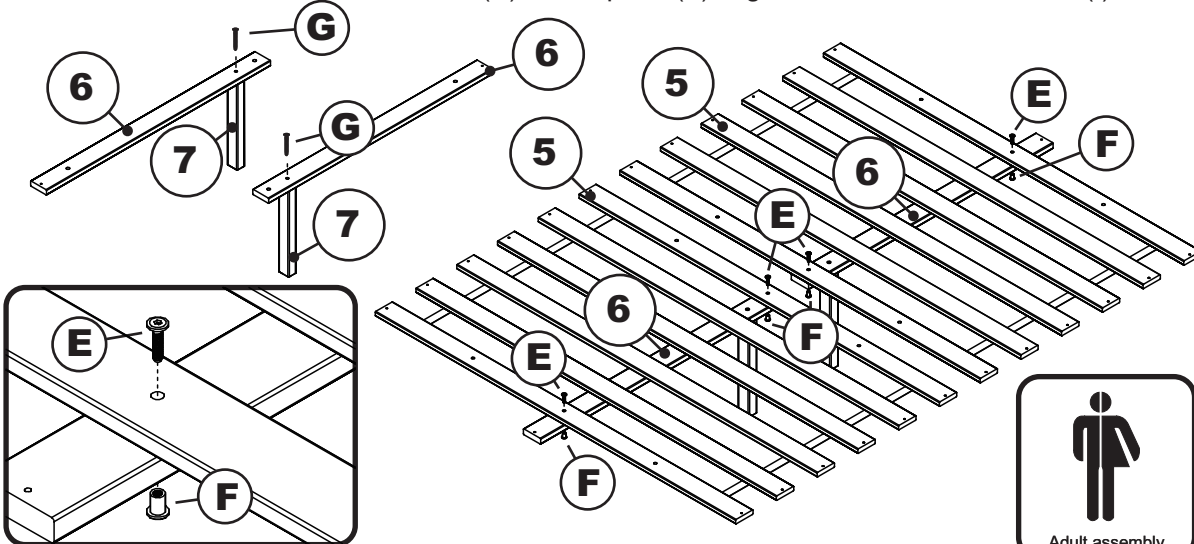
Adult assembly



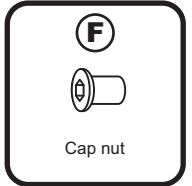
JCB M8 X 15mm

Step 3

Attach slat support (6) to slat support leg (7) using Allen screws (G). Tighten with Allen wrench M4 (I). Attach slat support (6) to the slat kit (5) as shown below using JCB M6 X 25mm (E) and cap nut (F). Tighten with Allen wrench M4 (I).



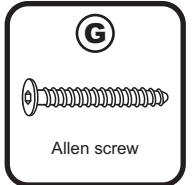
JCB M6 X 25mm



Cap nut



Adult assembly



Allen screw

Step 4

Attach slat kit (5) to the bed frame as shown below using wood screws 1 1/4" (D). Tighten with Phillips head screw driver. (customer supplied)

Step 5

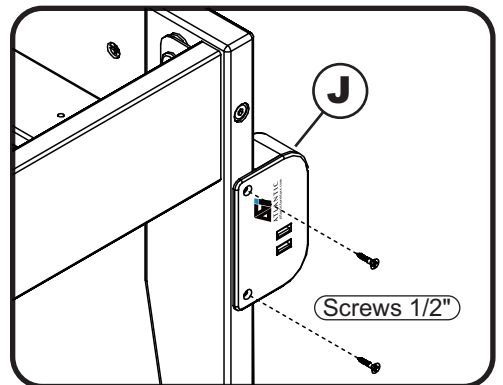
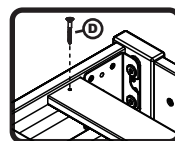
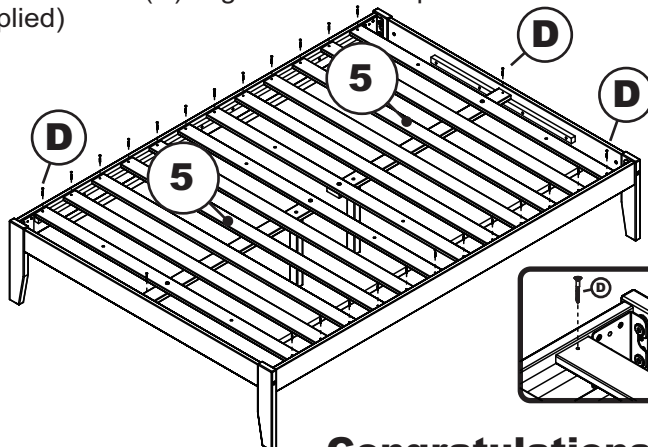
Attach the USB charger (J) to the location as shown below using 1/2" screws and tighten with Phillips head screw driver. (customer supplied)



Adult assembly



Wood screw



Screws 1/2"

Congratulations!

Your bed is now ready for use.

We recommend that you periodically recheck that all screws are tight to ensure lasting safety.