

ASSEMBLY INSTRUCTIONS

Before assembling your headboard and footboard, please read through these instructions carefully and familiarize yourself with the different parts.

ATTENTION! If you receive a damaged or defective item, please contact afifurnishings at customerservice@afifurnishings.com or 1-800-955-3726



PARTS LIST

- ① HEADBOARD PANEL BOARDS 4 PCS
- ② LEFT LEG 1 PC
- ③ RIGHT LEG 1 PC
- ④ FOOTBOARD PANEL BOARDS 3 PCS
- ⑤ LEFT FOOTBOARD LEG 1 PC
- ⑥ RIGHT FOOTBOARD LEG 1 PC

Instructions apply for bed sizes
TWIN

HARDWARE

- Ⓐ JCB M6 X 35mm - 28 pcs
Spare - 1 pc
- Ⓑ JCB M8 X 15mm (5/8") - 8 pcs
- Ⓒ Allen wrench M4 - 1pc
Spare - 1pc
- Ⓓ Allen wrench M6 - 1pc

NOTE: WE INCLUDE SPARE HARDWARE IN CASE DAMAGE OCCURS DURING ASSEMBLY.

Step 1

Attach left leg (2) and right leg (3) to headboard panel boards (1), using JCB M6 X 35mm (A). Tighten with the Allen wrench M4 (C).

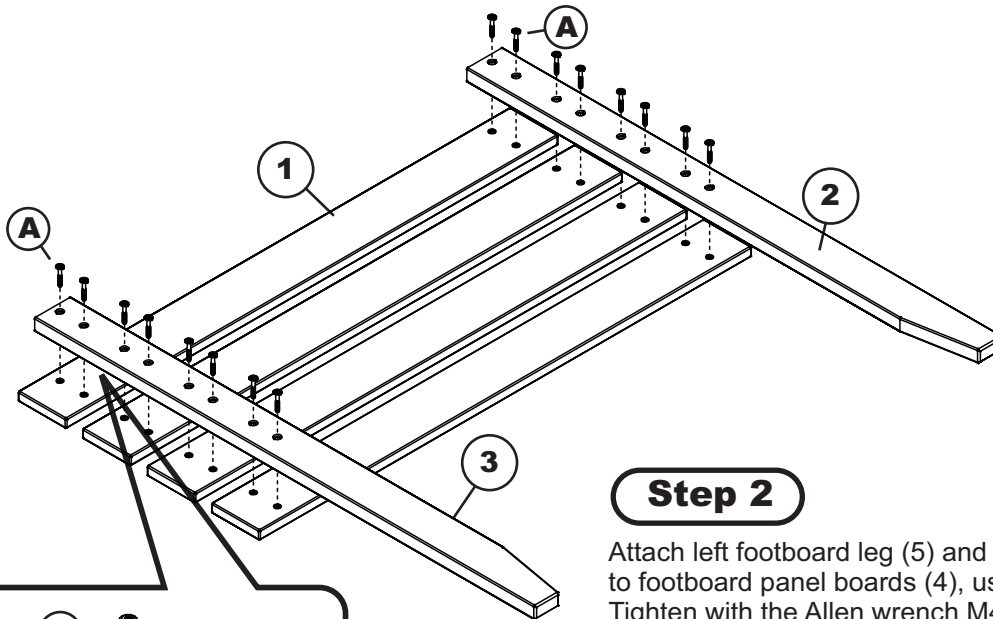


Adult assembly

Ⓐ

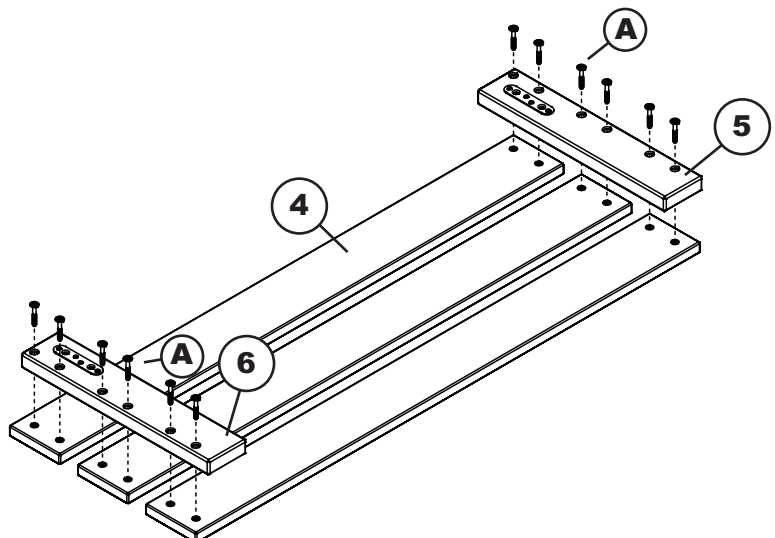
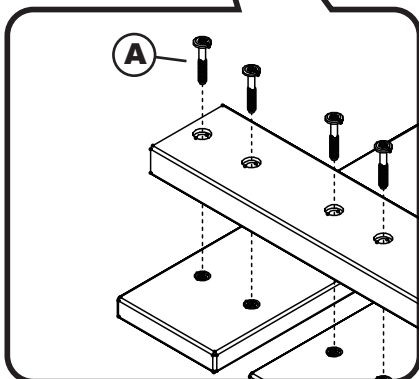


JCB M6 X 35mm



Step 2

Attach left footboard leg (5) and right footboard leg (6) to footboard panel boards (4), using JCB M6 X 35mm (A). Tighten with the Allen wrench M4 (C).



CODE

ITEM

HBFB-ISL-OXD

G-12832X

PO:

TWIN



- 01 HARDWARE
- 02 HEADBOARD
- 03 FOOTBOARD

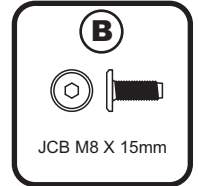
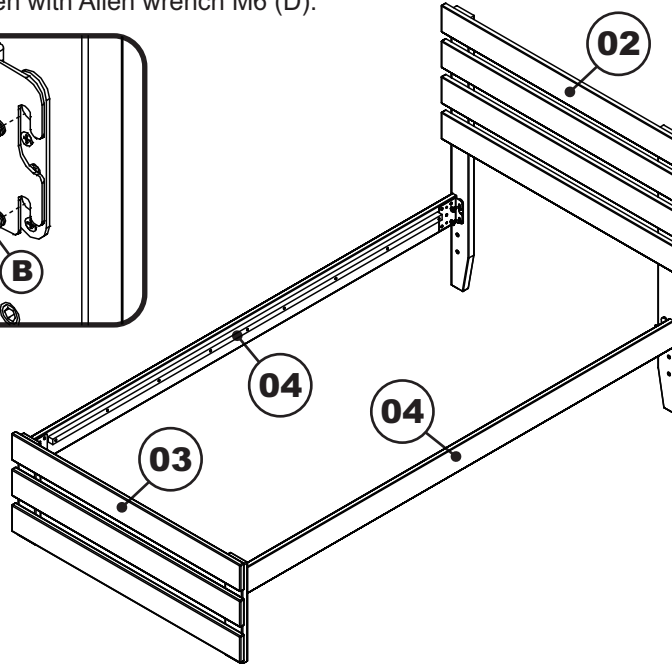
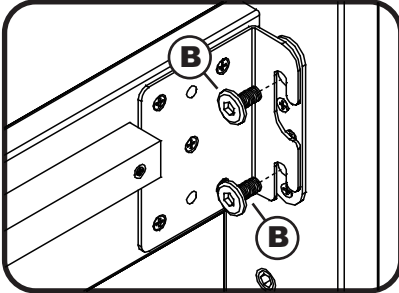
BOX 1

- 01 HARDWARE
- 04 SIDE RAILS
- 05 SLAT KIT

BOX 2

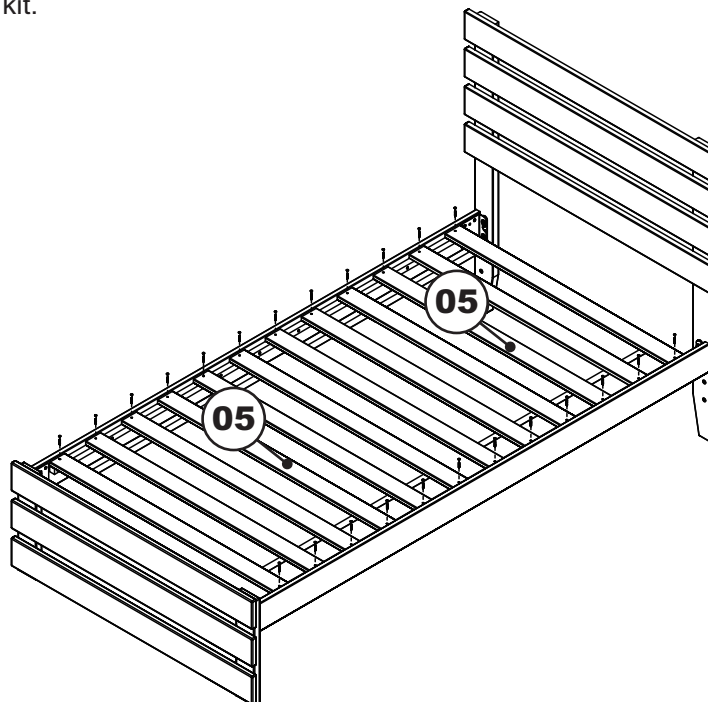
Step 1

Attach the side rails (04) to the headboard (02) and footboard (03) using JCB M8 X 15mm (B). Tighten with Allen wrench M6 (D).



Step 2

Attach slat kit (05) onto the bed using wood screws. Tighten with Phillips head screw driver. (customer supplied) For assembly of slat kit, follow the assembly instructions included with slat kit.



Congratulations!

Your bed is now ready for use.

We recommend that you periodically recheck that all screws are tight to ensure lasting safety.

TWIN ASSEMBLY INSTRUCTIONS

Before assembling your bed frame, please read through these instructions carefully and familiarize yourself with the different parts.

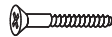


ATTENTION! If you receive a damaged or defective item, please contact afifurnishings at customerservice@afifurnishings.com or 1-800-955-3726

PARTS LIST

- ① **SIDE RAIL 2 PCS**
- ② **SLAT KIT 2 SETS**

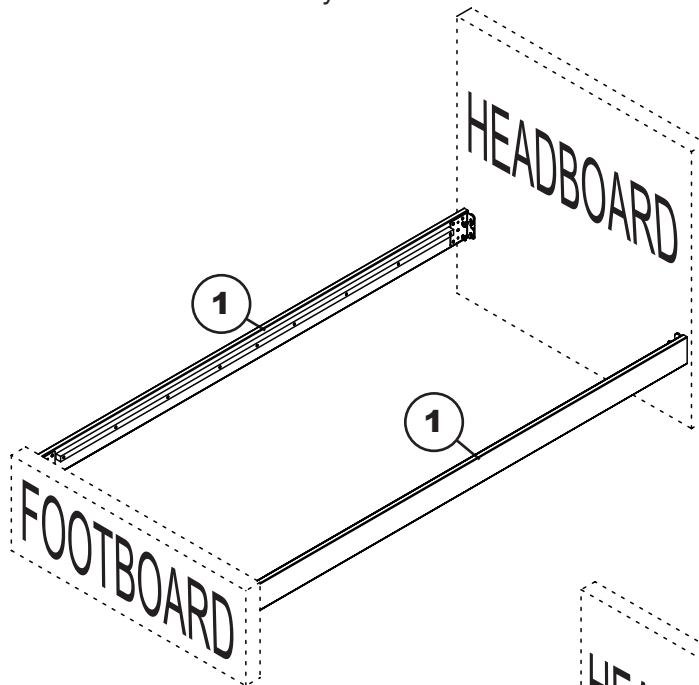
HARDWARE

- Ⓐ  Wood screw(1 1/4") - 24 pcs
Spare - 2 pcs

NOTE: WE INCLUDE SPARE HARDWARE IN CASE DAMAGE OCCURS DURING ASSEMBLY.

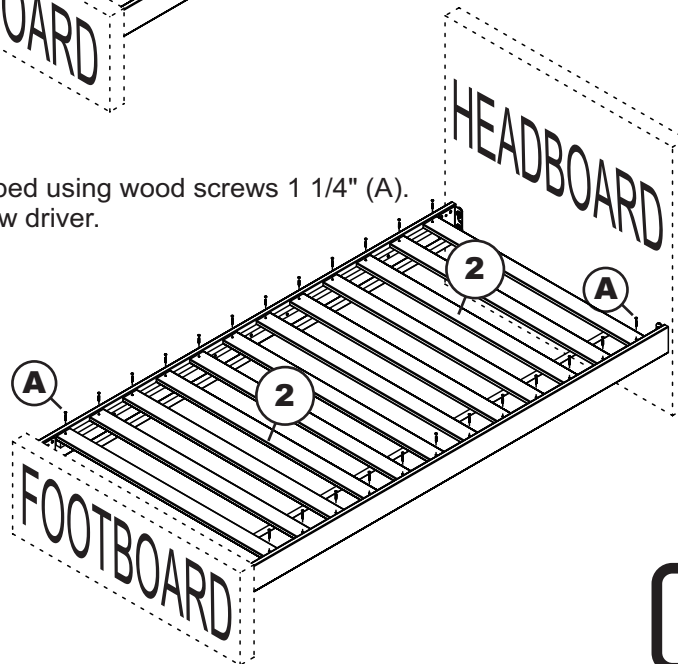
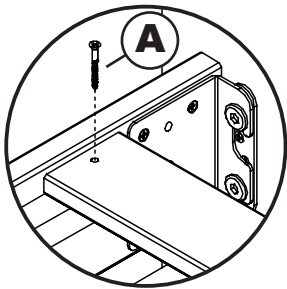
Step 1

Attach side rails (1) to the headboard and footboard. For assembly, follow the assembly instructions included with your headboard and footboard.



Step 2

Attach the slat kit (2) onto the bed using wood screws 1 1/4" (A). Tighten with Phillips head screw driver. (customer supplied)



CODE	ITEM
FR-MT-ISL	G-24802X

PO: