

ASSEMBLY INSTRUCTIONS

Before assembling your headboard, please read through these instructions carefully and familiarize yourself with the different parts.

ATTENTION! If you receive a damaged or defective item, please contact afifurnishings at customerservice@afifurnishings.com or 1-800-955-3726



PARTS LIST

- 1 HEADBOARD PANEL 4 PCS BOARDS
- 2 LEFT LEG 1 PC
- 3 RIGHT LEG 1 PC

Instructions apply for bed sizes
TWIN

HARDWARE

- A JCB M6 X 35mm - 16 pcs
Spare - 1 pc
- B JCB M8 X 15mm (5/8") - 4 pcs
Assembly headboard to open bed frame
- C Allen wrench - 1pc
Spare - 1pc

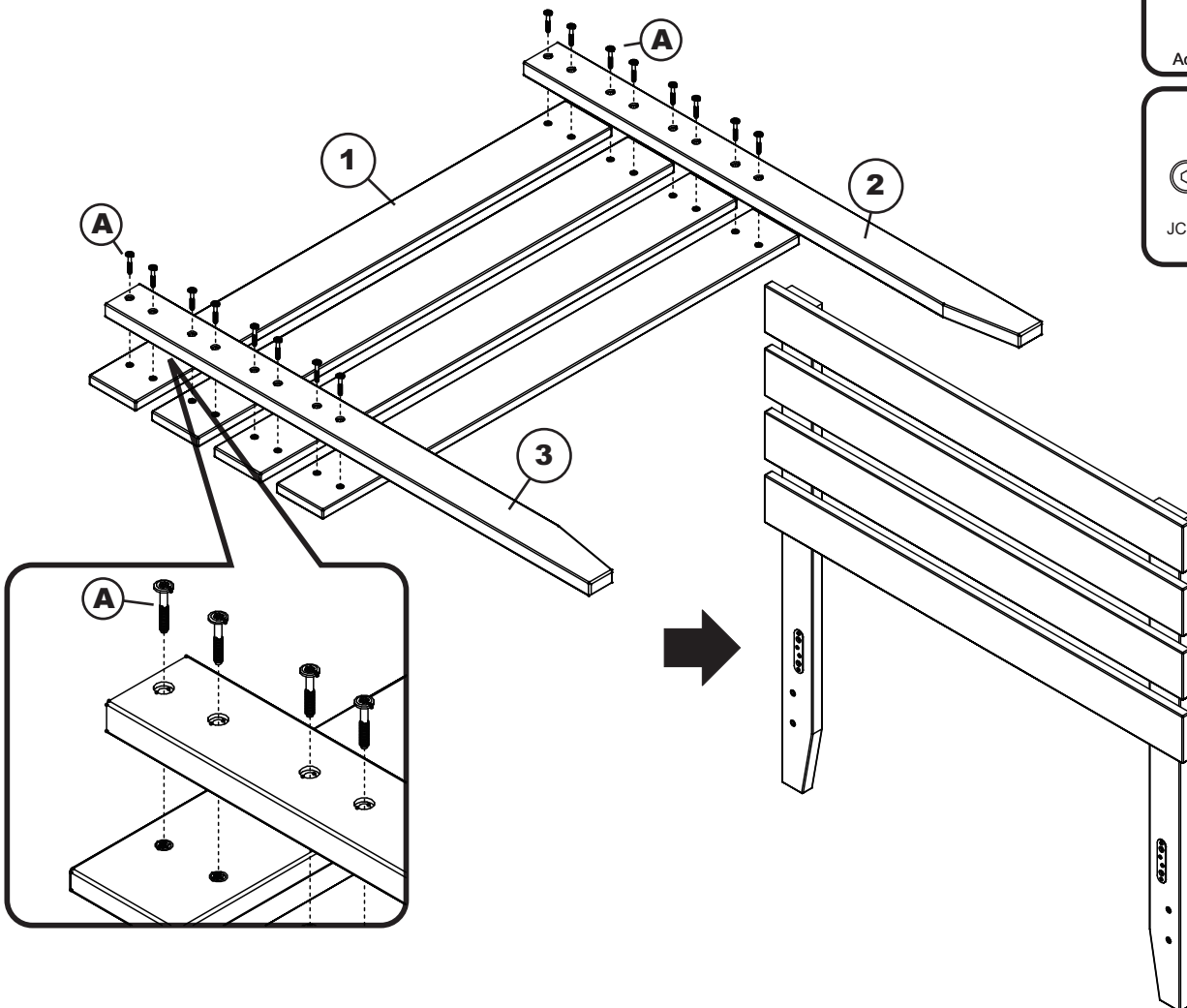
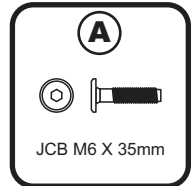
HARDWARE FOR METAL BED FRAME

- D JCB M6 X 25mm (1") - 4 pcs
Spare - 1 pc
- E Flat washer - 4 pcs
Spare - 1 pc
- F Split washer - 4 pcs
Spare - 1 pc

NOTE: WE INCLUDE SPARE HARDWARE IN CASE DAMAGE OCCURS DURING ASSEMBLY.

Step 1

Attach the legs (2) and (3) to headboard panel boards (1), using JCB M6 X 35mm (A). Tighten with the Allen wrench (C).



FOR BED FRAME ASSEMBLY follow assembly instructions included with your bed frame. If you purchased a wood headboard to attach to metal bed frame, please refer to page 2.

PO:

CODE ITEM
HB-ISL-OXD G-11832X

ASSEMBLY INSTRUCTIONS

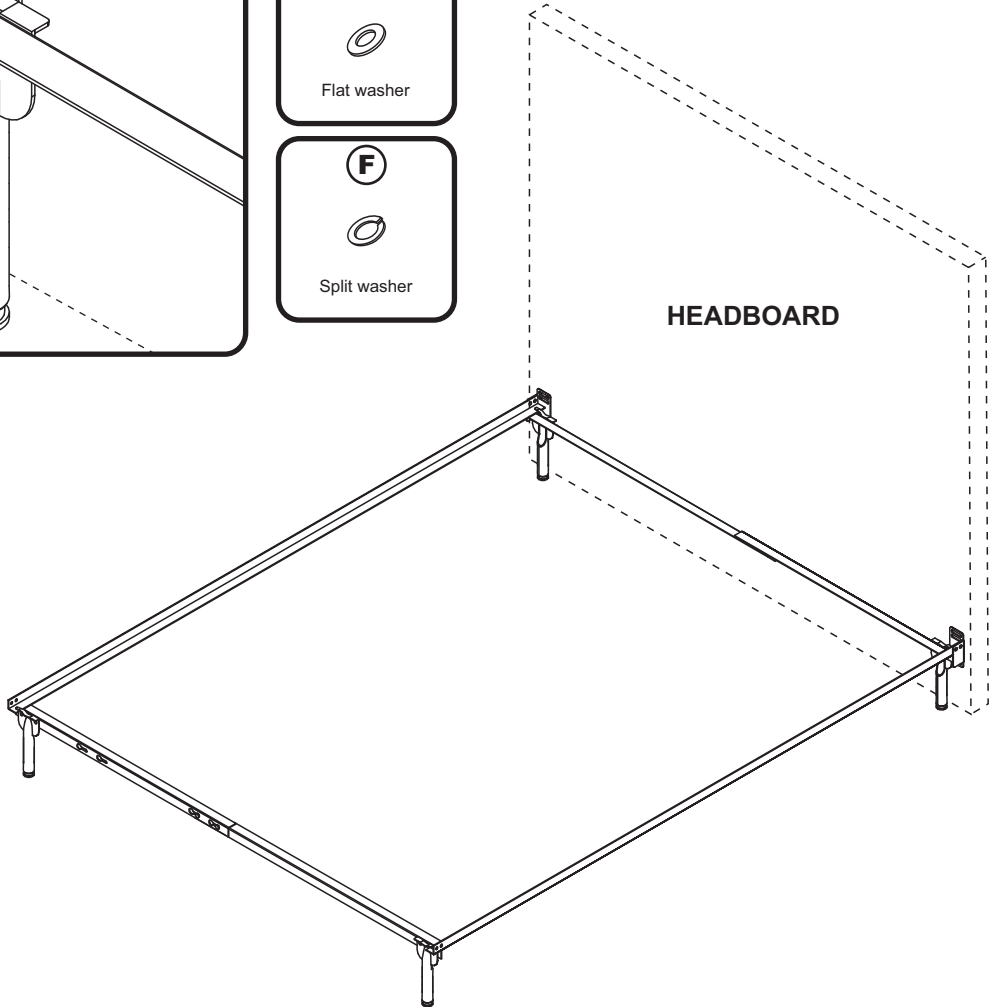
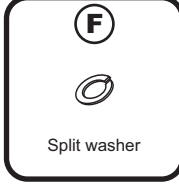
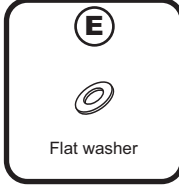
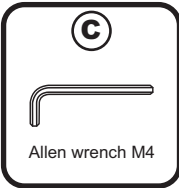
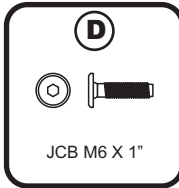
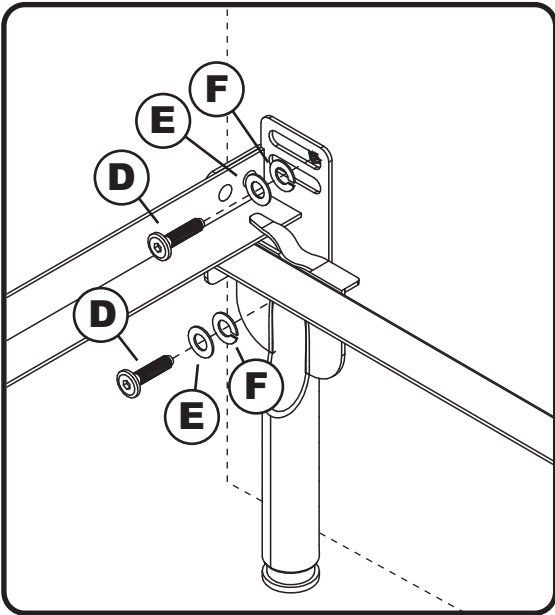
Before assembling your bed, please read through these instructions carefully and familiarize yourself with the different parts.

Instructions apply for bed sizes
Twin > Full > Queen



Metal bed frames are sold separately from wood headboards. The hardware shown on this page is supplied with your wood headboard for attaching the bed frame to the headboard. The metal bed frame is supplied with its own assembly instructions and hardware.

Step 1 Attach the headboard assembly to the metal bed frame using JCB M6 X 1" (D), flat washer (E), and split washer (F) then tighten with Allen wrench (C) as shown below.



Congratulations!

Your bed is now ready for use.
To ensure lasting safety, we recommend that you periodically check that all screws are tight and all parts are secure.