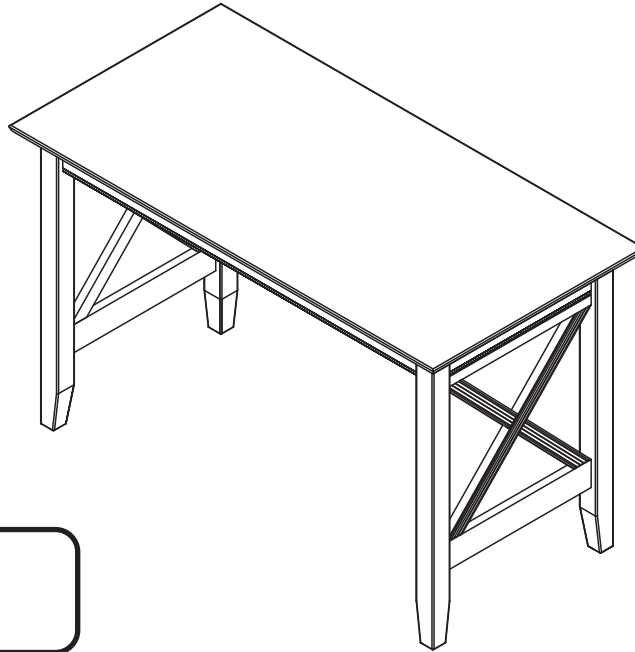
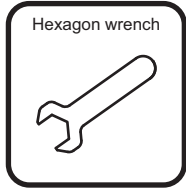


ASSEMBLY INSTRUCTIONS

Before assembling your work table, please read through these instructions carefully. Familiarize yourself with the different parts.

ATTENTION! If you receive a damaged or defective item, please contact afifurnishings at customerservice@afifurnishings.com or 1-800-955-3726



CODE	ITEM
DK-LSI	H-7917X

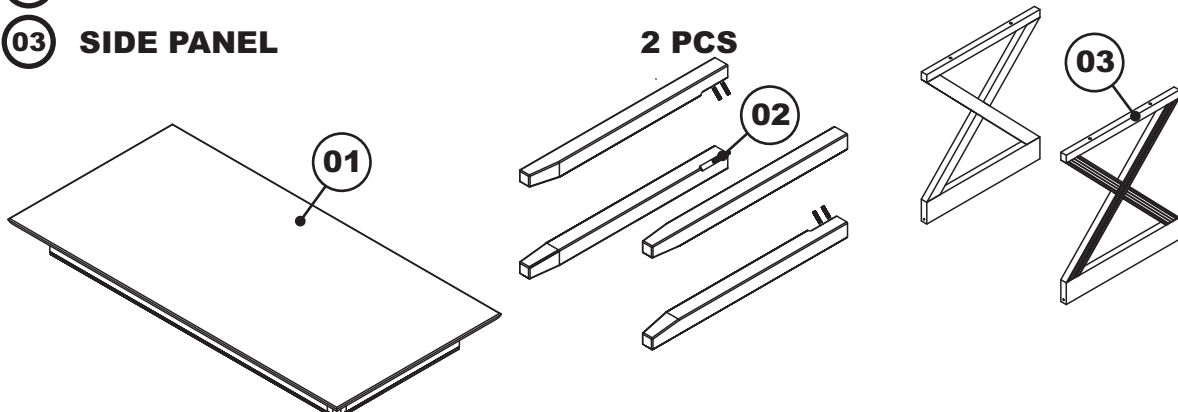
NOTE: WE INCLUDE SPARE HARDWARE IN CASE DAMAGE OCCURS DURING ASSEMBLY.

- A** Flat washer - 8 pcs
Spare - 2 pcs
- B** Hexagon nut - 8 pcs
Spare - 2 pcs
- C** Hexagon wrench - 1 pc
- D** Wooden dowel - 4 pcs
Spare - 1 pc
- E** Wood screw - 4 pcs
Spare - 1 pc
- F** Surface Mount Charger - 1 Set
Screw 1/2"-2 pcs
Spare-1 pc

PARTS LIST

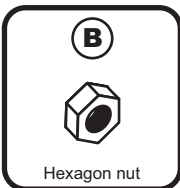
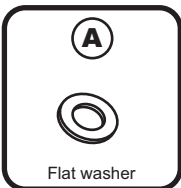
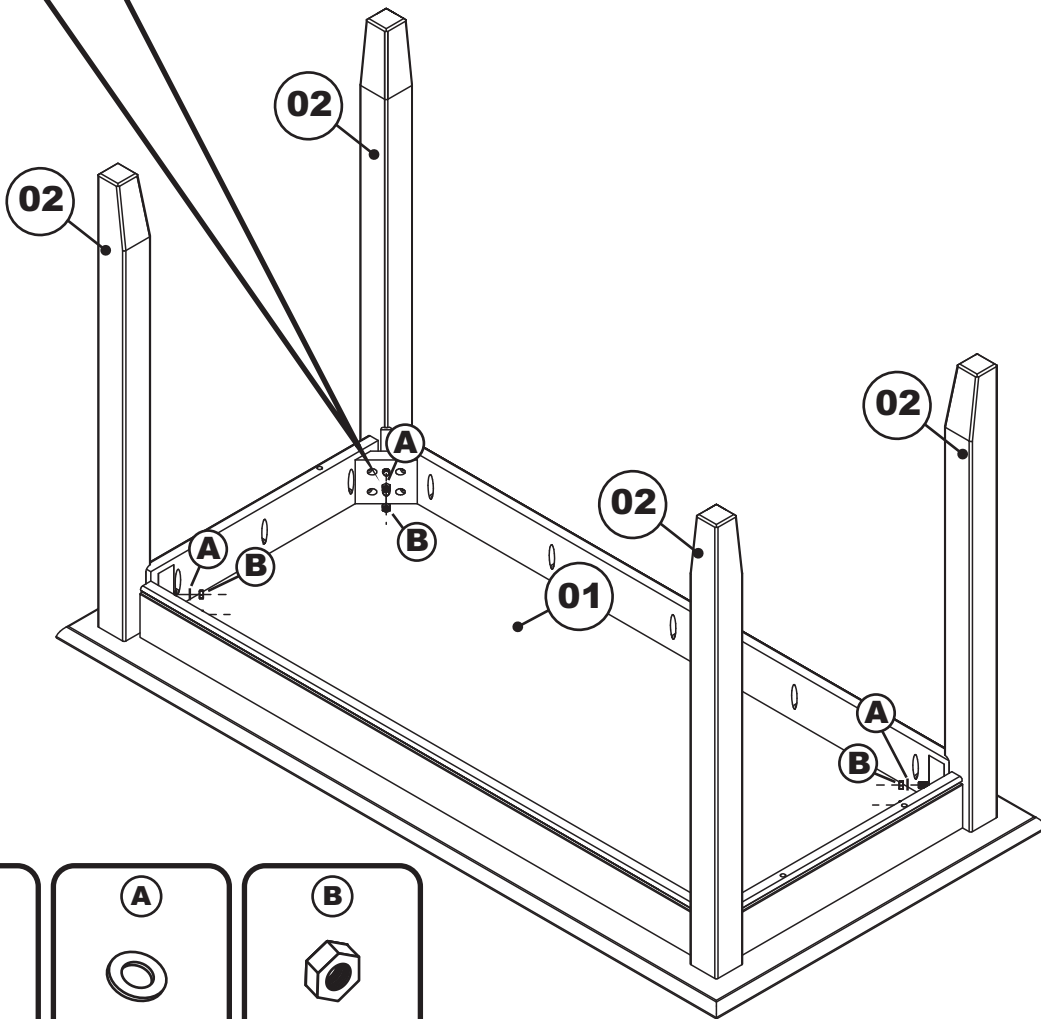
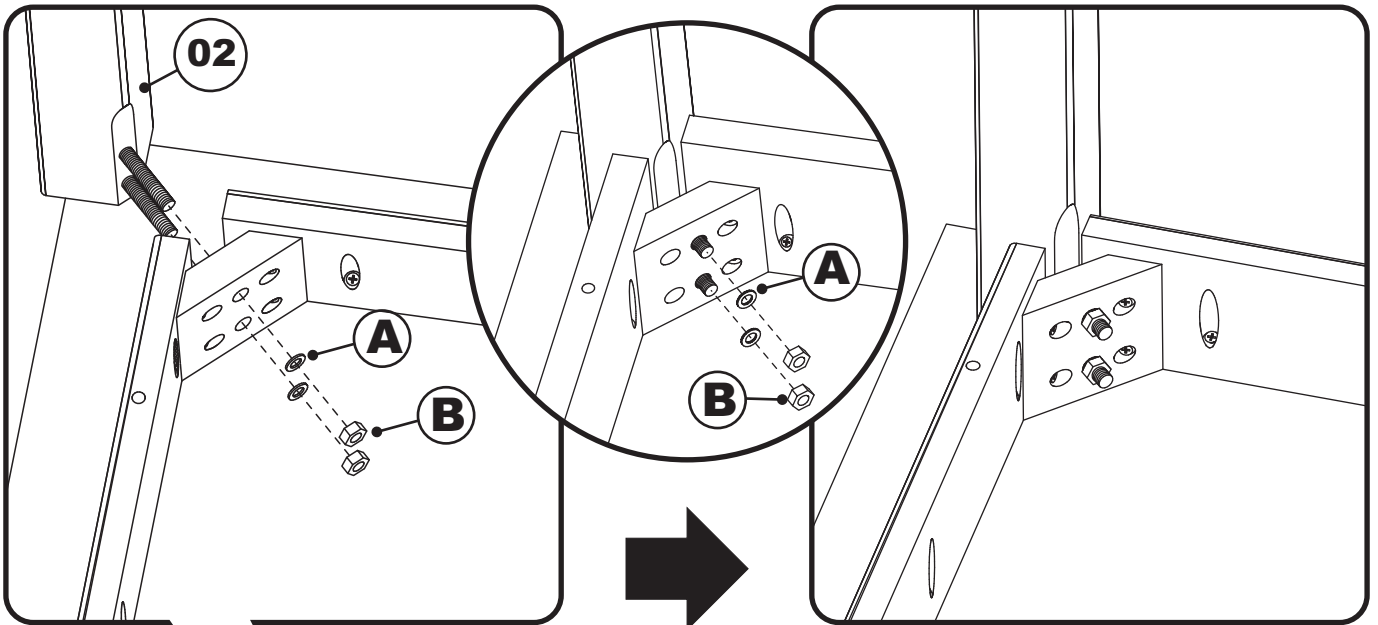
- 01** TOP PANEL 1 PC
- 02** LEG 4 PCS
- 03** SIDE PANEL 2 PCS

PO:



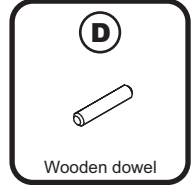
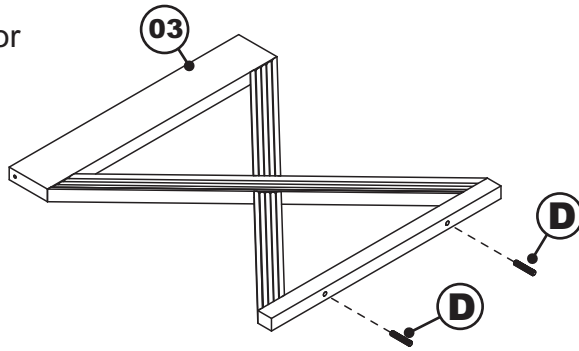
STEP 1

Attach the legs (02) to the top panel (01) as shown below using flat washers (A) and hexagon nuts (B), tighten with hexagon wrench (C).



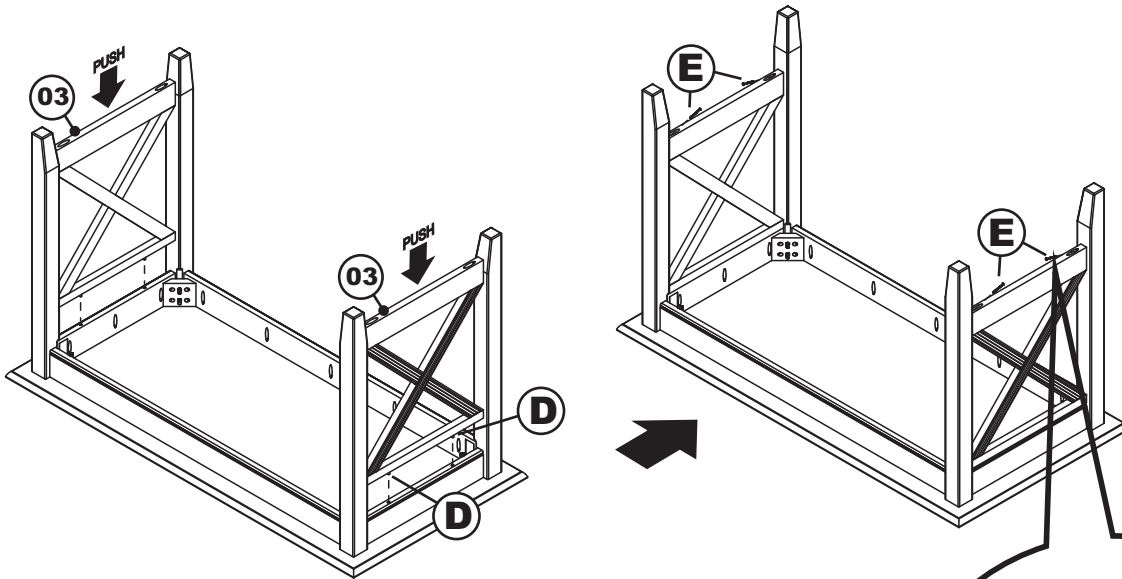
STEP 2

Install wooden dowels (D) into the locator holes on (03) as shown below. Repeat with the other panel.



STEP 3

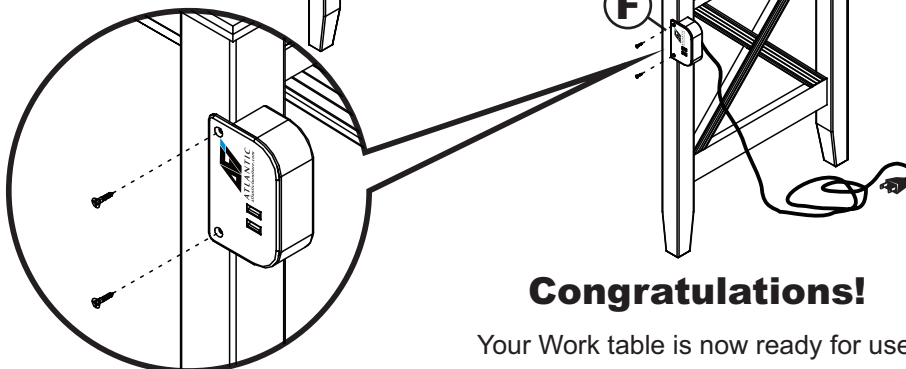
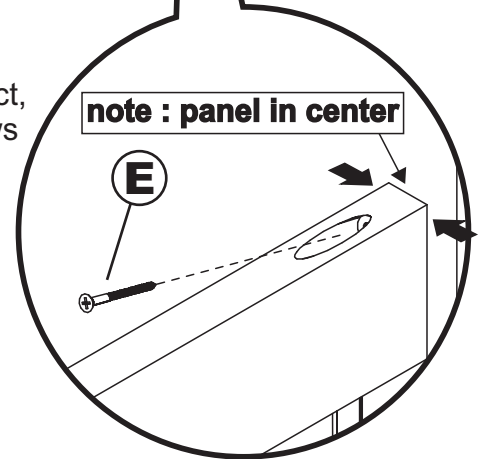
Attach side panels (03) to work table aligning the dowels (D) with the holes in the apron. Be sure the panel is centered before tightening the wood screw (E).



STEP 4

Place USB charging station flush against the product, nearest an electrical outlet. Fasten using 1/2" screws and tighten.

note : panel in center



Congratulations!

Your Work table is now ready for use.

We recommend that you periodically check that all screws are tight and all parts are secure to ensure lasting safety.