

## ASSEMBLY INSTRUCTIONS

Before assembling your headboard, please read through these instructions carefully and familiarize yourself with the different parts.

**ATTENTION!** If you receive a damaged or defective item, please contact afifurnishings at [customerservice@afifurnishings.com](mailto:customerservice@afifurnishings.com) or 1-800-955-3726



### PARTS LIST

- ① HEADBOARD PANEL 1 PC
- ② LEFT LEG 1 PC
- ③ RIGHT LEG 1 PC
- ④ SPACER BLOCK 2 PCS
- ⑤ PACKING STICK 2 PCS

Instructions apply for bed sizes  
TWIN > FULL

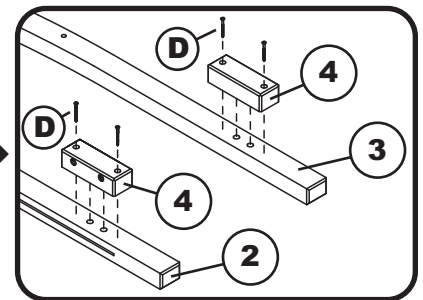
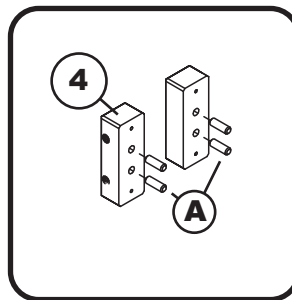
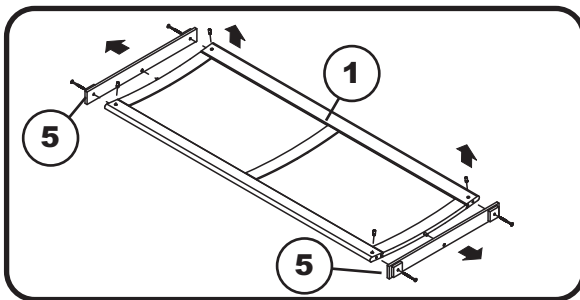
### HARDWARE

- |   |   |  |
|---|---|--|
| <ul style="list-style-type: none"> <li>① Wooden dowel - 4 pcs<br/>Spare - 1 pc</li> <li>② JCB M6 X 70mm (2 3/4") - 4 pcs<br/>Spare - 1 pc</li> <li>③ Barrel nut - 4 pcs<br/>Spare - 1 pc</li> </ul> | <ul style="list-style-type: none"> <li>④ Wood screw - 4 pcs<br/>Spare - 1 pc</li> <li>⑤ JCB M6 X 25mm (1") - 4 pcs<br/>Spare - 1 pc</li> <li>⑥ Flat washer - 4 pcs<br/>Spare - 1 pc</li> <li>⑦ Split washer - 4 pcs<br/>Spare - 1 pc</li> <li>⑧ Allen wrench - 1 pc<br/>Spare - 1 pc</li> </ul> | <p><b>HARDWARE FOR METAL BED FRAME</b></p> <ul style="list-style-type: none"> <li>⑨ Flat washer - 4 pcs<br/>Spare - 1 pc</li> <li>⑩ Split washer - 4 pcs<br/>Spare - 1 pc</li> </ul> |
|---|---|--|

NOTE: WE INCLUDE SPARE HARDWARE IN CASE DAMAGE OCCURS DURING ASSEMBLY.

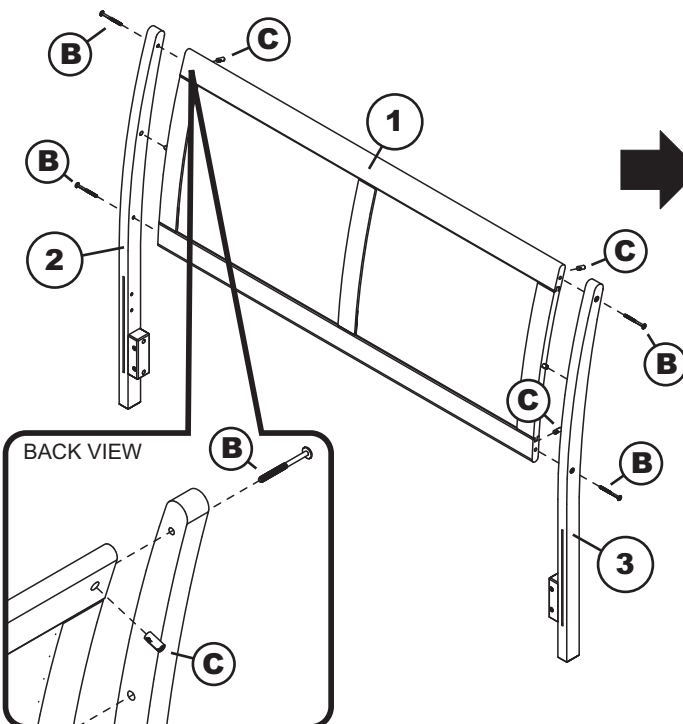
### Step 1

Remove packing stick (5) from headboard panel (1) and **DISCARD**. Insert wooden dowels (A) to the locator holes on spacer block (4). Attach the spacer blocks (4) to the legs (2) and (3), using wood screws (D), as shown below. Tighten with Phillips screwdriver. (customer supplied)



### Step 2

Attach the legs (2) and (3) to the headboard panel (1), using JCB (B) and barrel nut (C). Tighten with the Allen wrench (H).



CODE	ITEM	ITEM
HB-POR	R-28982X	R-28983X

PO :

If you purchased a wood headboard to attach to metal bed frame, please refer to page 2.

## ASSEMBLY INSTRUCTIONS



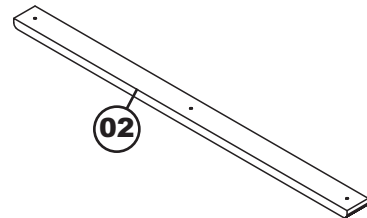
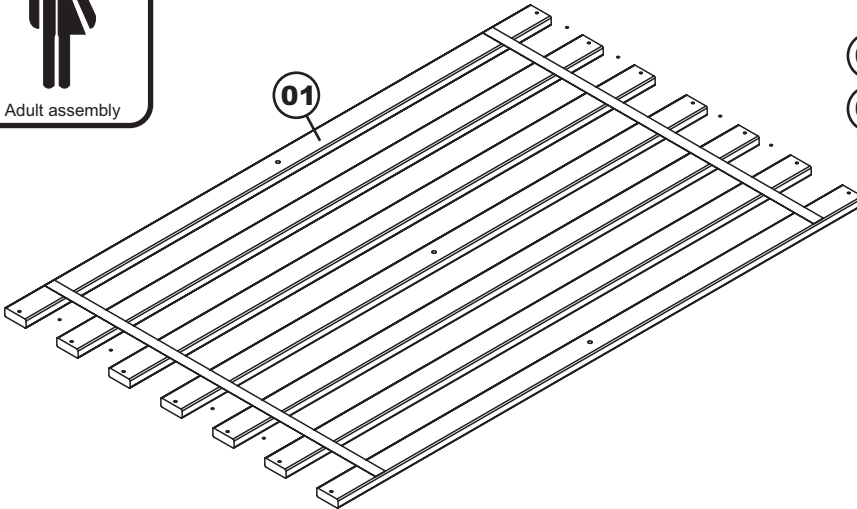
Before assembling your bed slat kit, please read through these instructions carefully and familiarize yourself with the different parts. Please note that you will require a Phillips screwdriver and an Allen wrench.

**ATTENTION!** If you receive a damaged or defective item, please contact afifurnishings at [customerservice@afifurnishings.com](mailto:customerservice@afifurnishings.com) or 1-800-955-3726



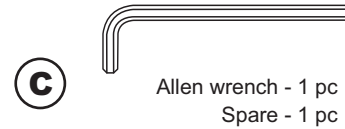
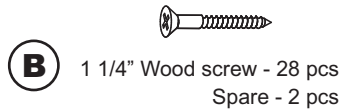
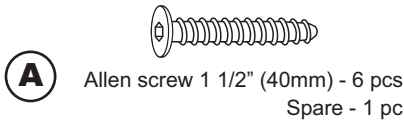
### PARTS LIST

01	SLAT SECTION	2 SET
02	SUPPORT RAIL	2 PCS

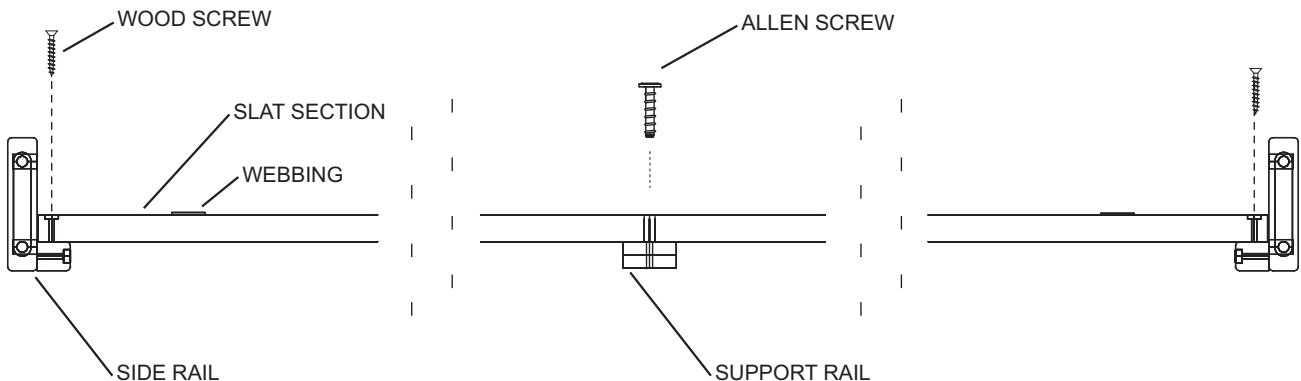


NOTE: WE INCLUDE SPARE HARDWARE IN CASE THE WOOD SCREWS ARE DAMAGED DURING ASSEMBLY.

### HARDWARE



### DETAIL ASSEMBLE VIEW



CODE SL-PF  
ITEM E-65300

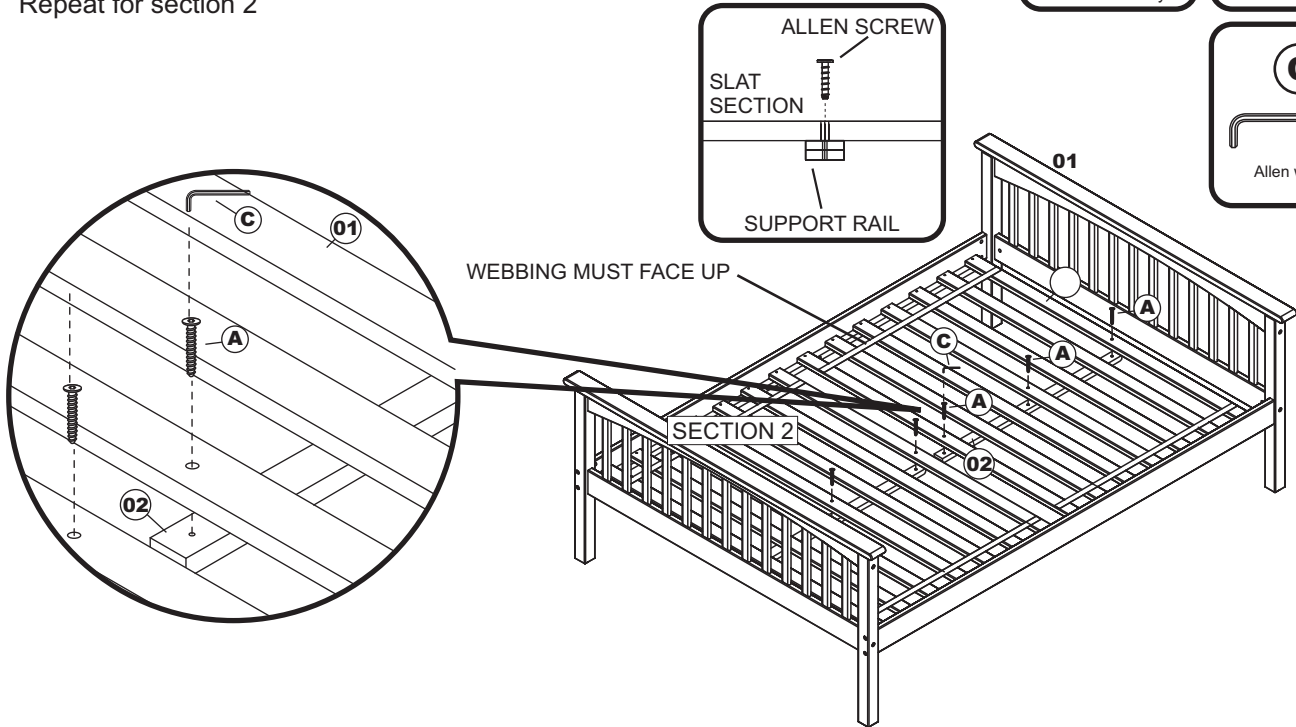
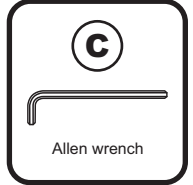
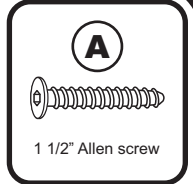
PO :

### Step 1

Assemble bed frame according to assembly instructions.

## Step 2

Lay the slat section onto the bed as shown. Attach support rail (02) to slat section (01) using Allen screw (A), tighten with the Allen wrench (C). Repeat for section 2



## Step 3

**Be sure to align slat section evenly with both ends of side rail.**

Screw slat section (01) to side rail, using wood screw (B). Tighten with Phillips screwdriver. (Customer supplied)

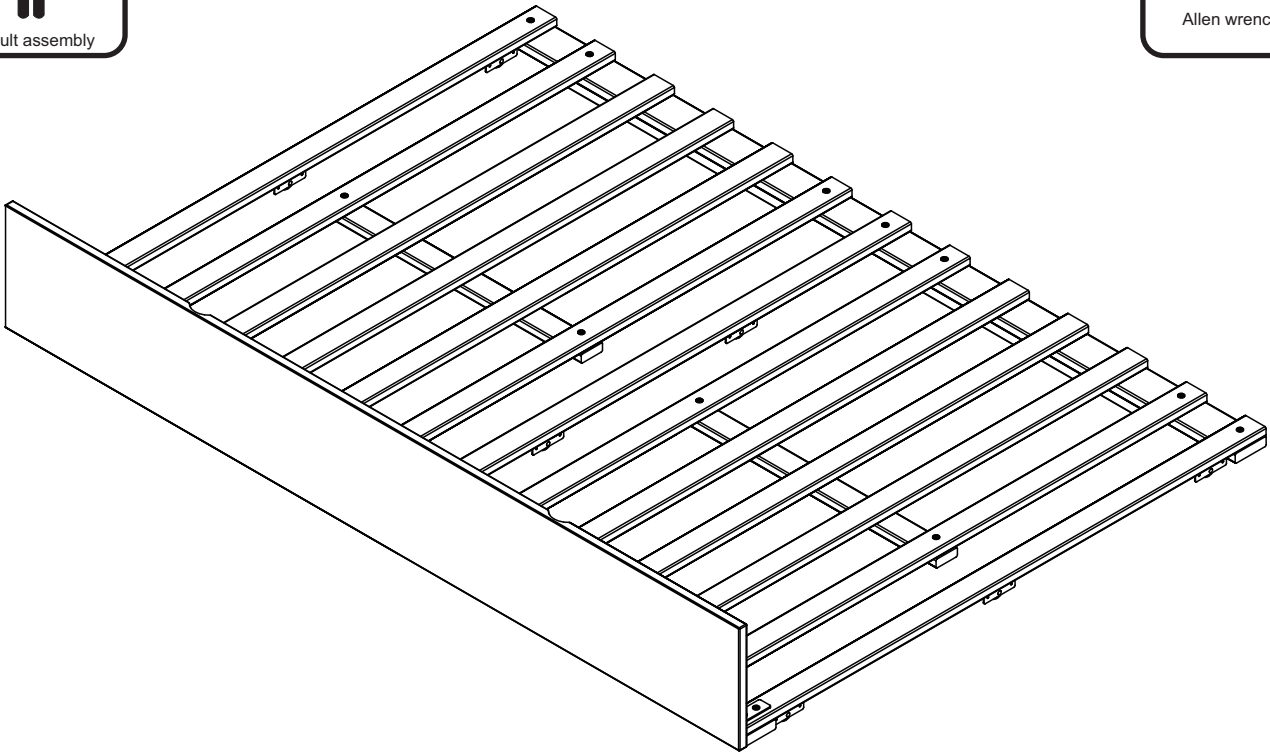
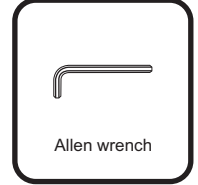
Be sure the space between slats is even.



## ASSEMBLY INSTRUCTIONS FULL

Before assembling your Trundle bed, please read through these instructions carefully. Familiarize yourself with the different parts.

**ATTENTION!** If you receive a damaged or defective item, please contact afifurnishings at [customerservice@afifurnishings.com](mailto:customerservice@afifurnishings.com) or 1-800-955-3726

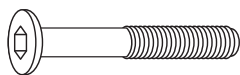


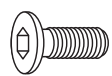
CODE	ITEM
ST-TD-UBN	E-6713X

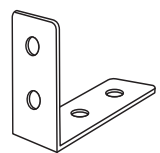
PO :


## HARDWARE

NOTE: WE INCLUDE SPARE HARDWARE IN CASE DAMAGE OCCURS DURING ASSEMBLY.

**A**  JCB M6 X 1 5/8" ( 40mm ) - 21 pcs  
Spare - 1 pc

**B**  JCB M6 X 5/8" ( 15mm ) - 6 pcs  
Spare - 1 pc  
Fix L bracket to front panel

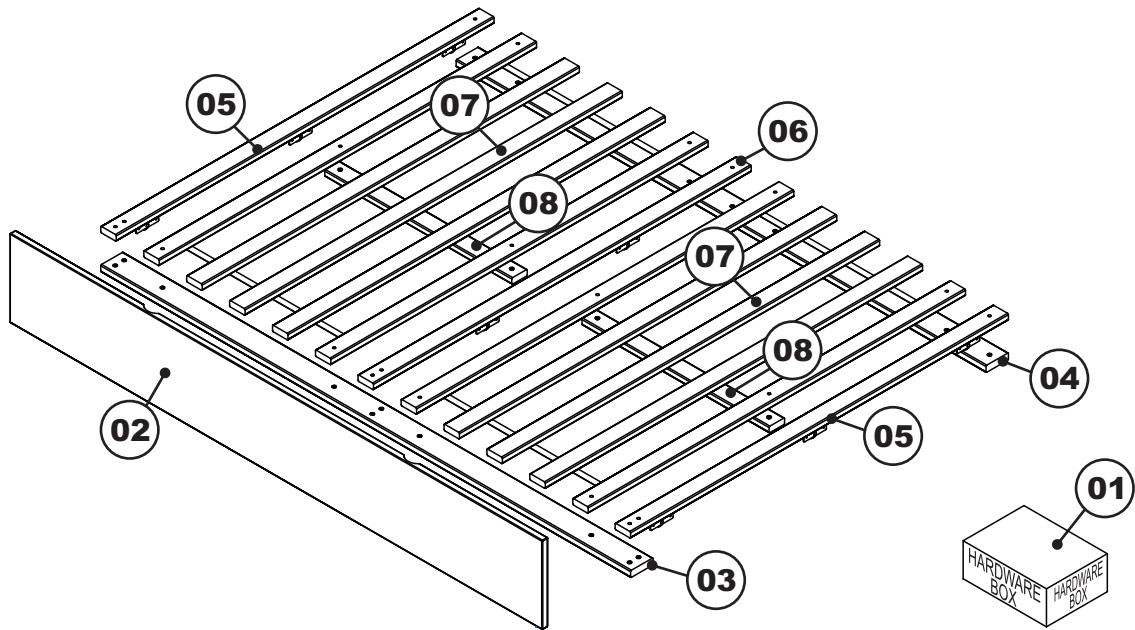
**C**  L Bracket - 3 pcs

**D**  Allen wrench - 1 pc  
Spare - 1 pc

FULL

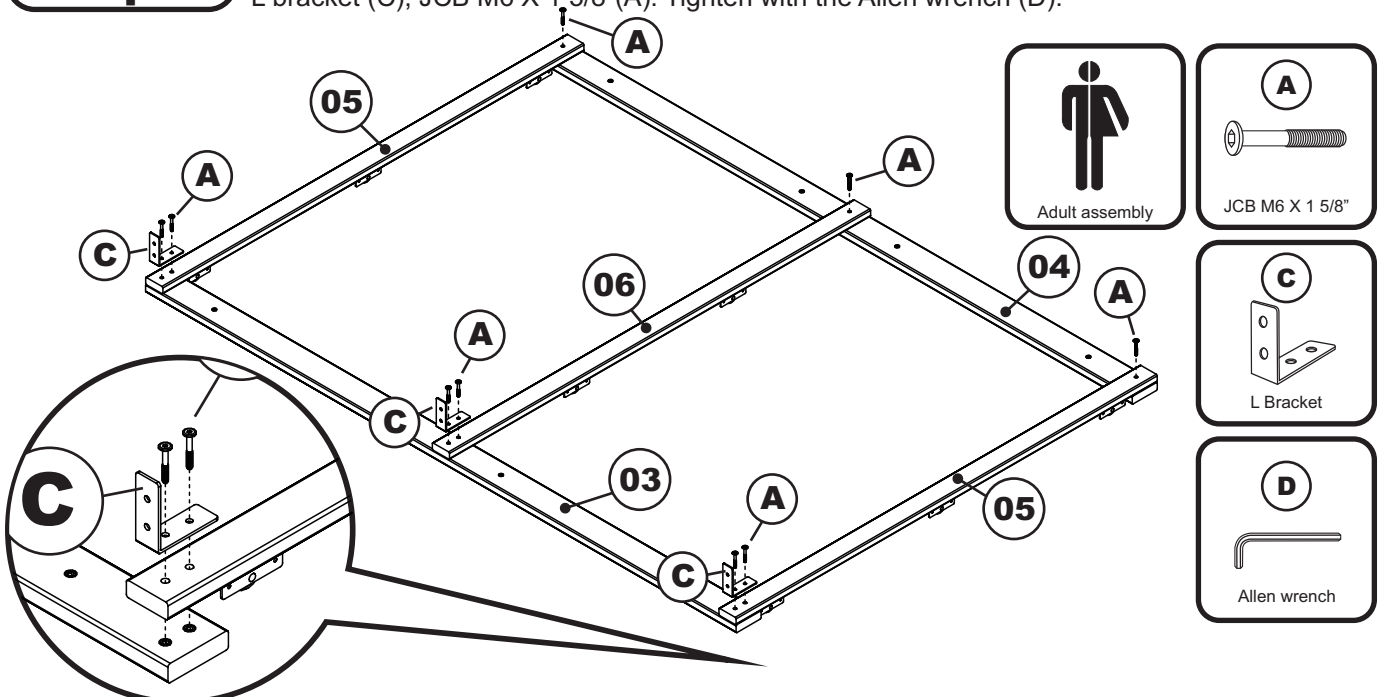
PARTS LIST

01	HARDWARE	1 BOX	05	SIDE CROSS RAIL	2 PCS
02	FRONT PANEL	1 PC	06	CENTER CROSS RAIL	1 PC
03	FRONT RAIL	1 PC	07	SLAT KIT	2 SET
04	BACK RAIL	1 PC	08	CENTER SLAT SUPPORT	2 PCS



**Step 1**

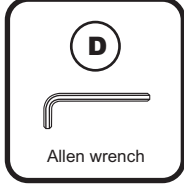
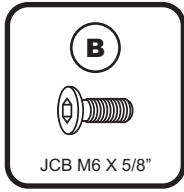
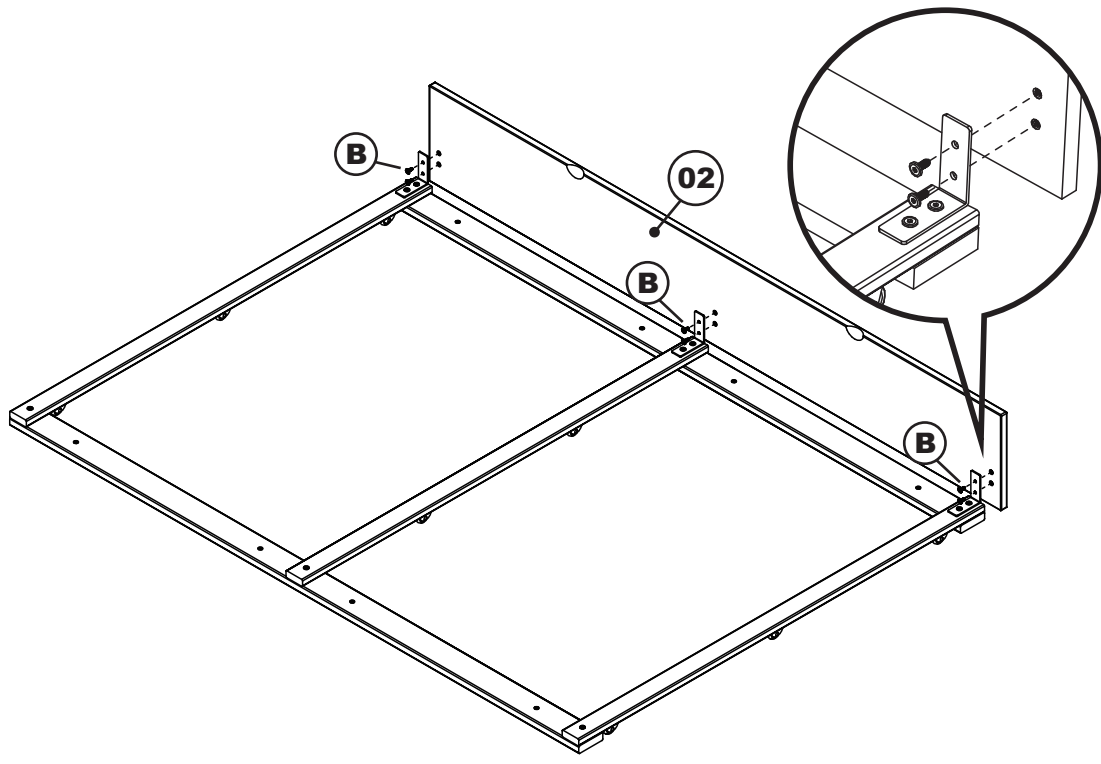
Attach the side cross rails (05) and center cross rail (06) to the front and back rail (03)(04), using L bracket (C), JCB M6 X 1 5/8" (A). Tighten with the Allen wrench (D).



**FULL**

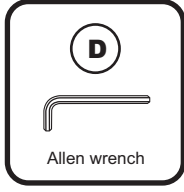
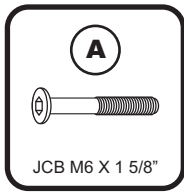
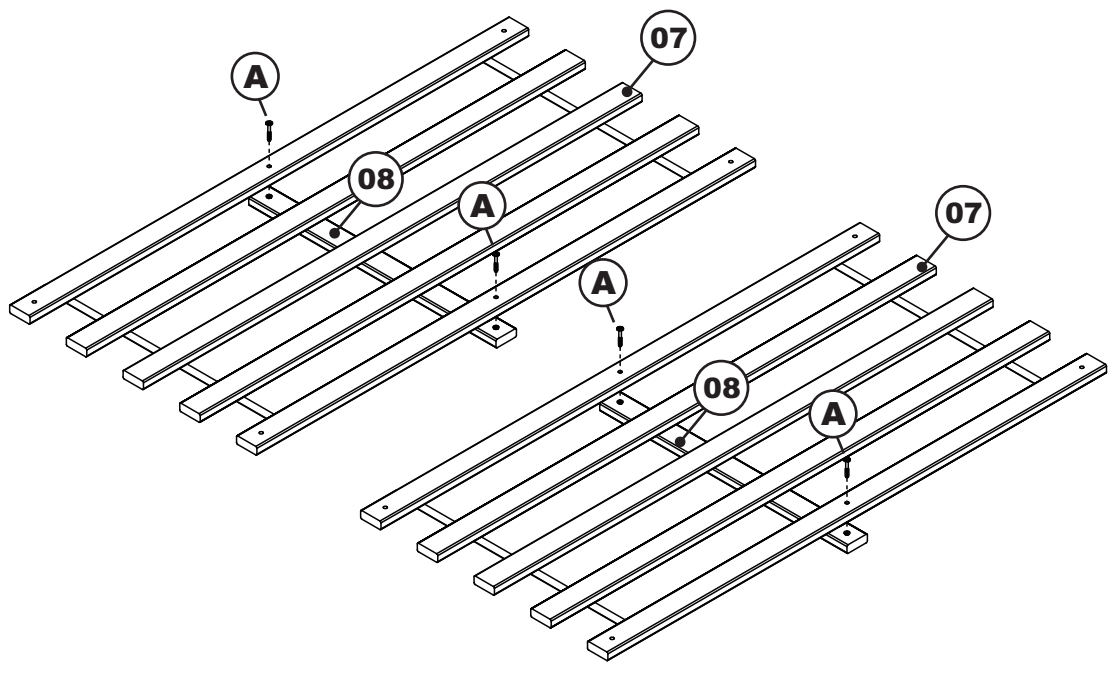
**Step 2**

Attach the front panel (02) to the front rail as shown, using JCB M6 X 5/8" (B). Tighten with the Allen wrench (D).



**Step 3**

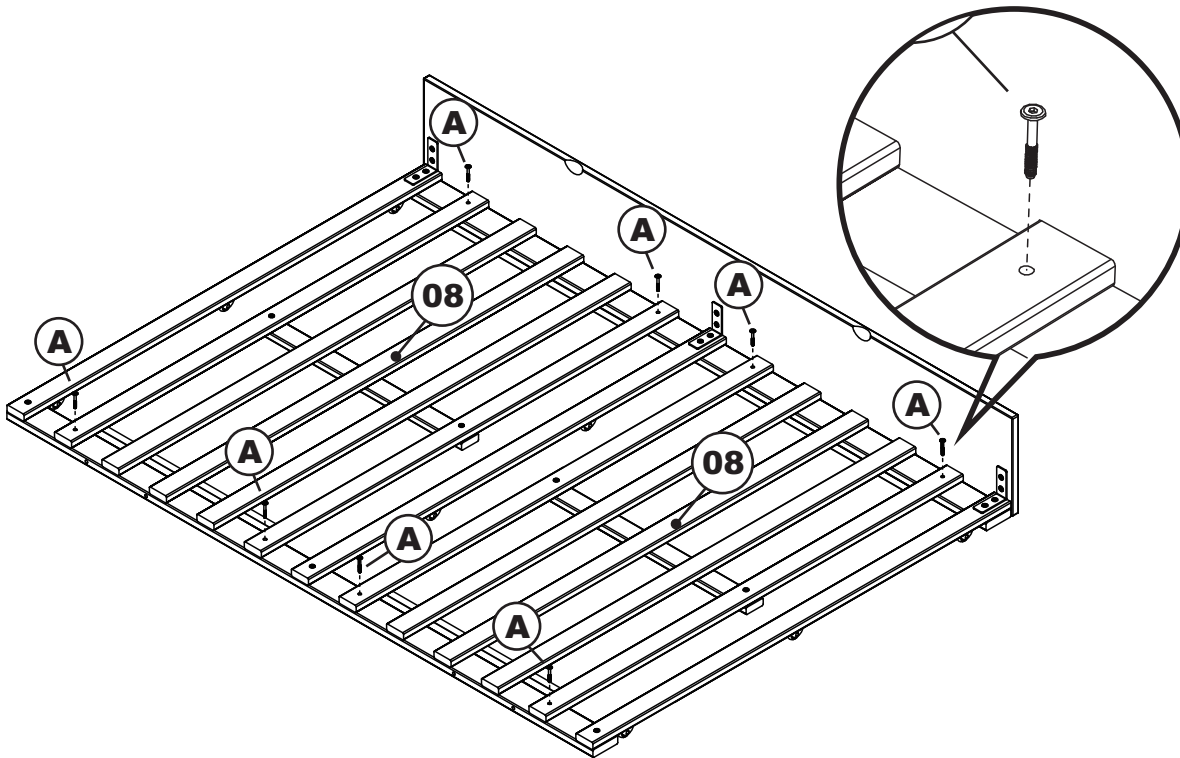
Attached center slat support(08) to the slat kit (07) as shown, using JCB M6 X 1 5/8" (A). Tighten with the Allen wrench (D).



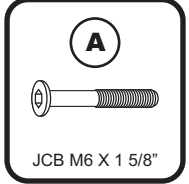
**FULL**

**Step 4**

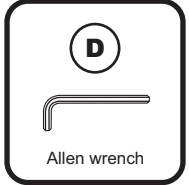
Lay the slat kit (07) onto the rail assembly as shown, using JCB M6 X 1 5/8" (A). Tighten with the Allen wrench (D).



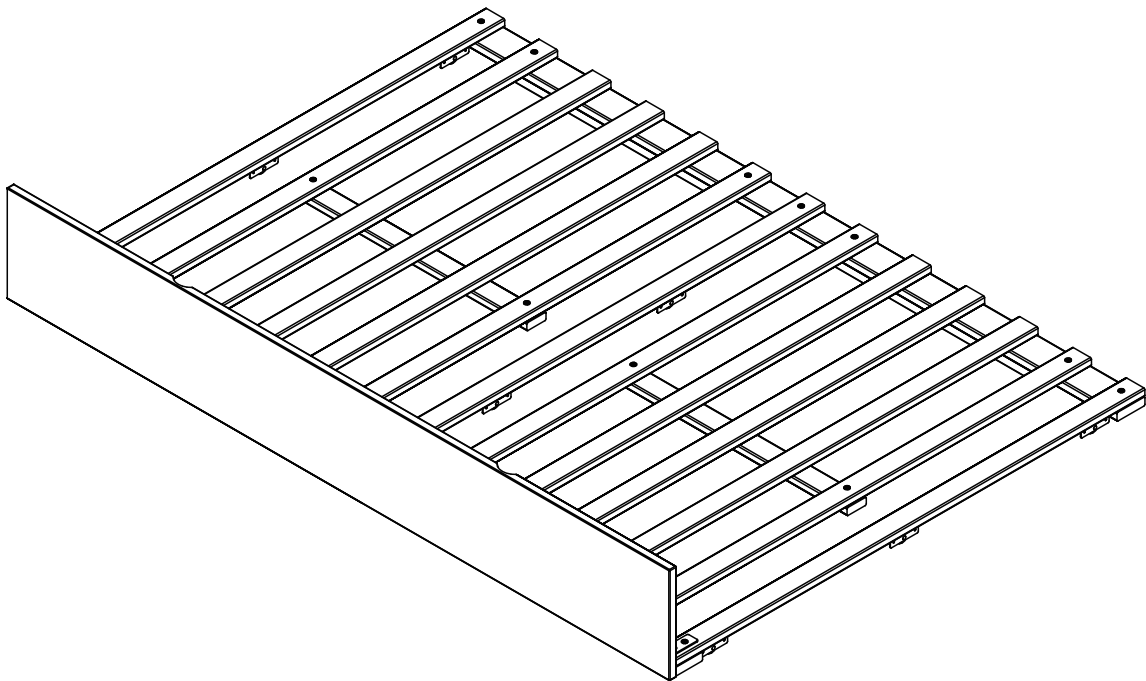
Adult assembly



JCB M6 X 1 5/8"



Allen wrench



**Congratulations!**

Your Trundle bed is now ready for use.  
We recommend that you periodically check that all screws are tight and all parts are secure to ensure lasting safety.