

## ASSEMBLY INSTRUCTIONS

Before assembling your headboard, please read through these instructions carefully and familiarize yourself with the different parts.

**ATTENTION!** If you receive a damaged or defective item, please contact afifurnishings at customerservice@afifurnishings.com or 1-800-955-3726



### PARTS LIST

- 1 HEADBOARD PANEL 1 PC
- 2 LEFT LEG 1 PC
- 3 RIGHT LEG 1 PC

Instructions apply for bed sizes  
TWIN > FULL

### HARDWARE

- A** JCB M6 X 110mm (4 3/8") - 4 pcs  
Spare - 1 pc
- B** Barrel nut - 4 pcs  
Spare - 1 pc
- F** Allen wrench - 1pc  
Spare - 1pc

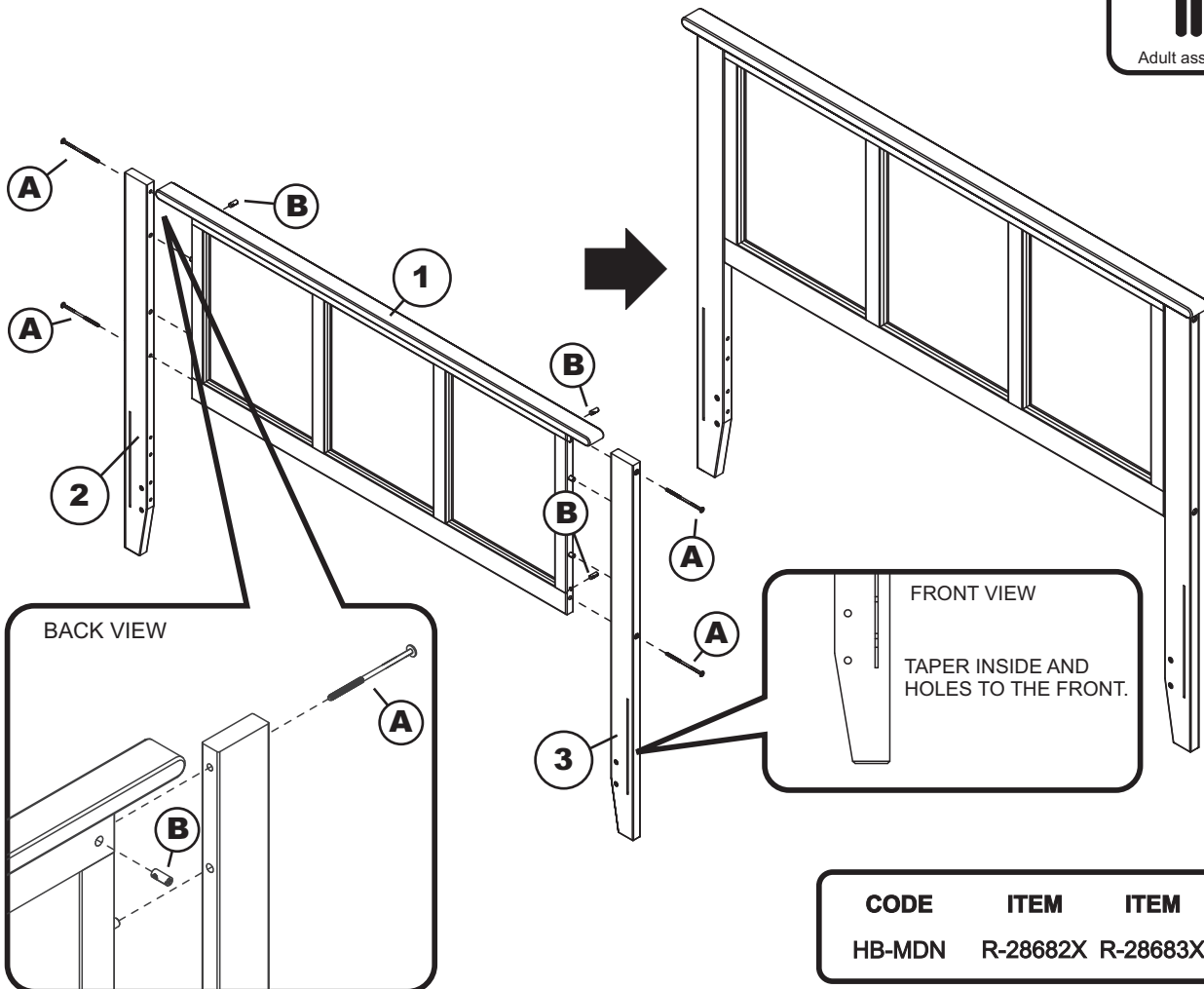
#### HARDWARE FOR METAL BED FRAME

- C** JCB M6 X 25mm (1") - 4 pcs  
Spare - 1 pc
- D** Flat washer - 4 pcs  
Spare - 1 pc
- E** Split washer - 4 pcs  
Spare - 1 pc

NOTE: WE INCLUDE SPARE HARDWARE IN CASE DAMAGE OCCURS DURING ASSEMBLY.

### Step 1

Attach the legs (2) and (3) to headboard panel (1), using JCB (A) and barrel nut (B). Tighten with the Allen wrench (F).



CODE	ITEM	ITEM
HB-MDN	R-28682X	R-28683X

**PO :**

If you purchased a wood headboard to attach to metal bed frame, please refer to page 2.

## ASSEMBLY INSTRUCTIONS



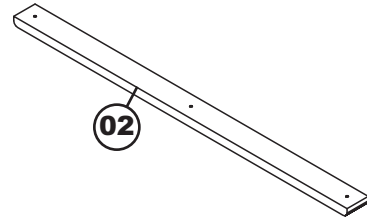
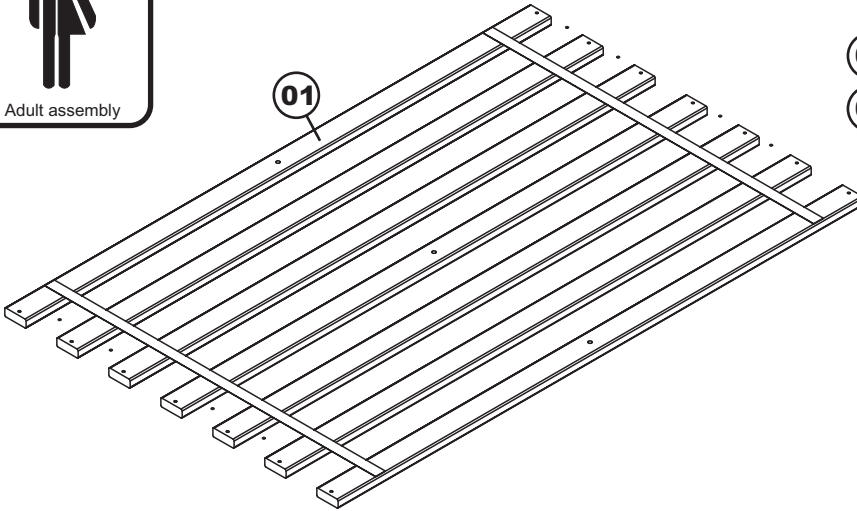
Before assembling your bed slat kit, please read through these instructions carefully and familiarize yourself with the different parts. Please note that you will require a Phillips screwdriver and an Allen wrench.

**ATTENTION!** If you receive a damaged or defective item, please contact afifurnishings at [customerservice@afifurnishings.com](mailto:customerservice@afifurnishings.com) or 1-800-955-3726



### PARTS LIST

01	SLAT SECTION	2 SET
02	SUPPORT RAIL	2 PCS



NOTE: WE INCLUDE SPARE HARDWARE IN CASE THE WOOD SCREWS ARE DAMAGED DURING ASSEMBLY.

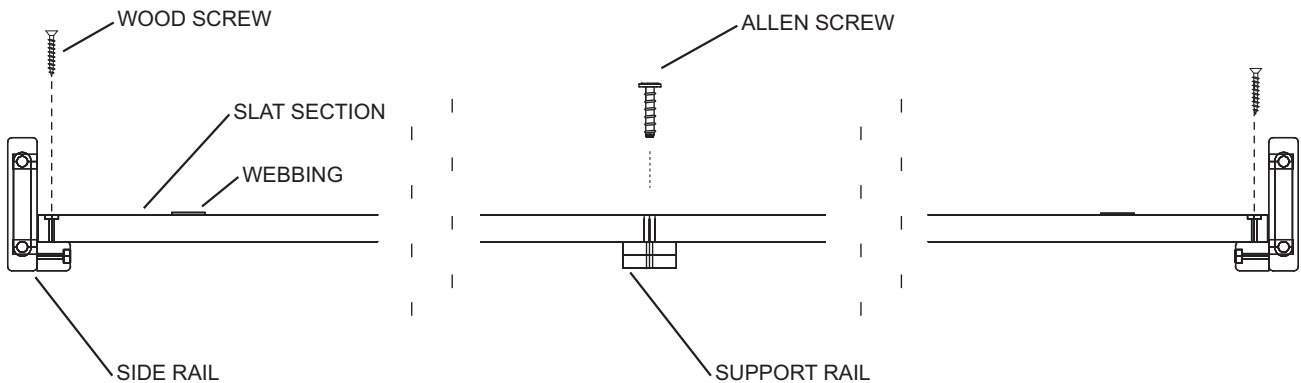
### HARDWARE

**A** Allen screw 1 1/2" (40mm) - 6 pcs  
Spare - 1 pc

**B** 1 1/4" Wood screw - 28 pcs  
Spare - 2 pcs

**C** Allen wrench - 1 pc  
Spare - 1 pc

### DETAIL ASSEMBLE VIEW



CODE SL-PF  
ITEM E-65300

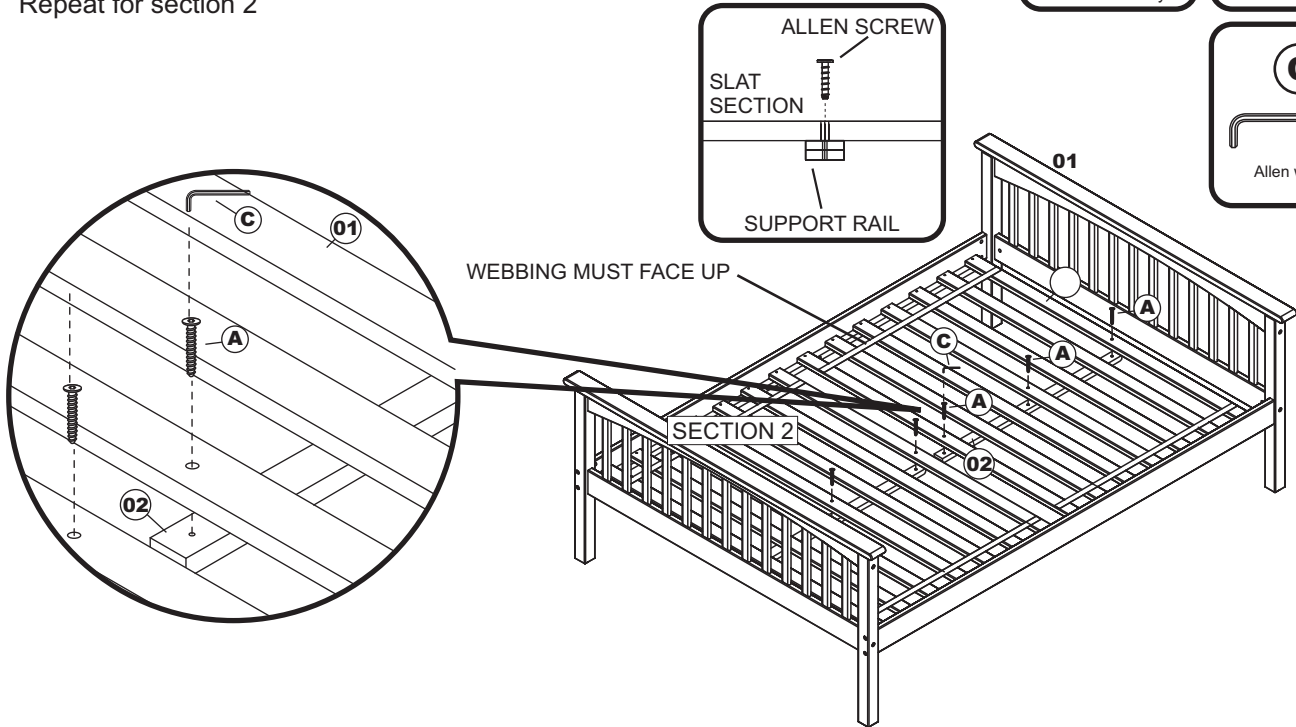
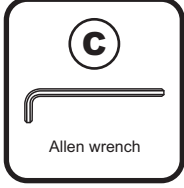
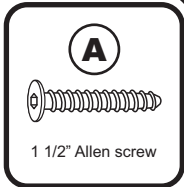
PO :

### Step 1

Assemble bed frame according to assembly instructions.

## Step 2

Lay the slat section onto the bed as shown. Attach support rail (02) to slat section (01) using Allen screw (A), tighten with the Allen wrench (C). Repeat for section 2



## Step 3

**Be sure to align slat section evenly with both ends of side rail.**

Screw slat section (01) to side rail, using wood screw (B). Tighten with Phillips screwdriver. (Customer supplied)

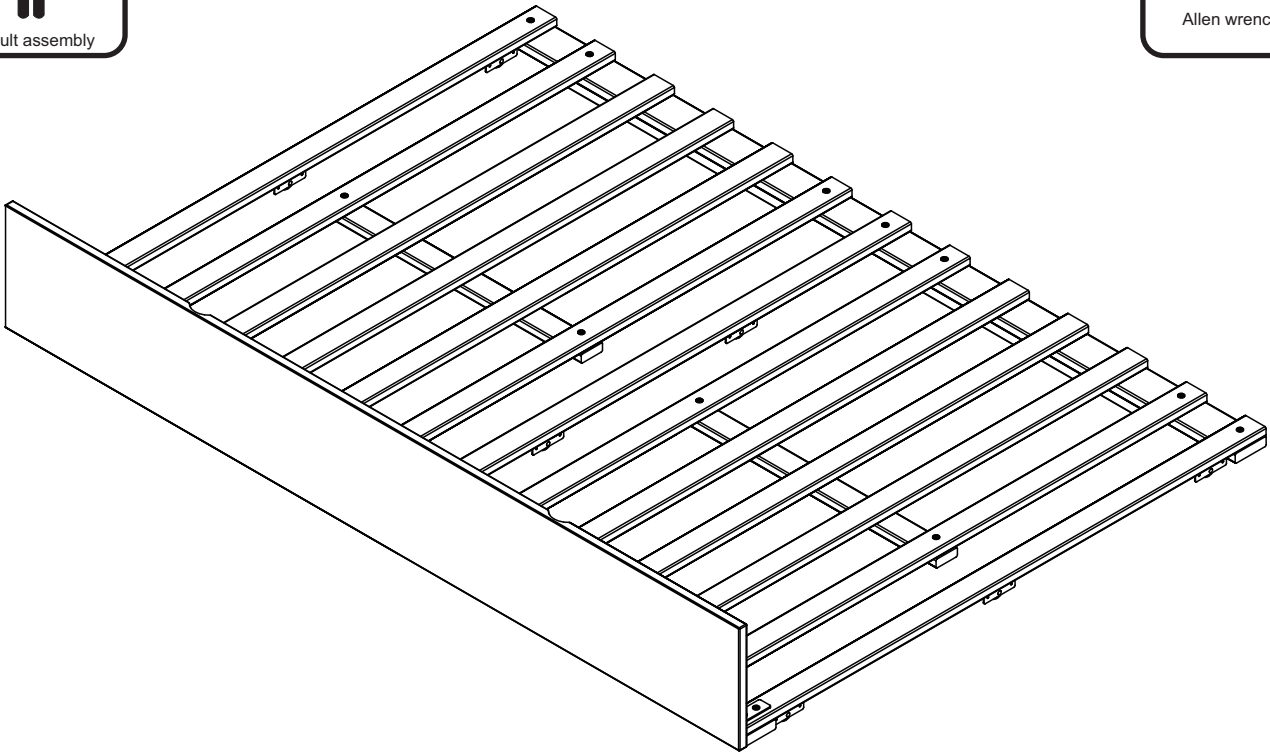
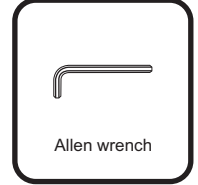
Be sure the space between slats is even.



## ASSEMBLY INSTRUCTIONS FULL

Before assembling your Trundle bed, please read through these instructions carefully. Familiarize yourself with the different parts.

**ATTENTION!** If you receive a damaged or defective item, please contact afifurnishings at customerservice@afifurnishings.com or 1-800-955-3726

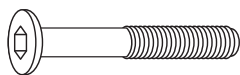


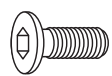
CODE	ITEM
ST-TD-UBN	E-6713X

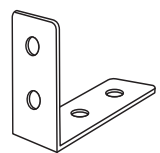
PO :


## HARDWARE

NOTE: WE INCLUDE SPARE HARDWARE IN CASE DAMAGE OCCURS DURING ASSEMBLY.

**A**  JCB M6 X 1 5/8" ( 40mm ) - 21 pcs  
Spare - 1 pc

**B**  JCB M6 X 5/8" ( 15mm ) - 6 pcs  
Spare - 1 pc  
Fix L bracket to front panel

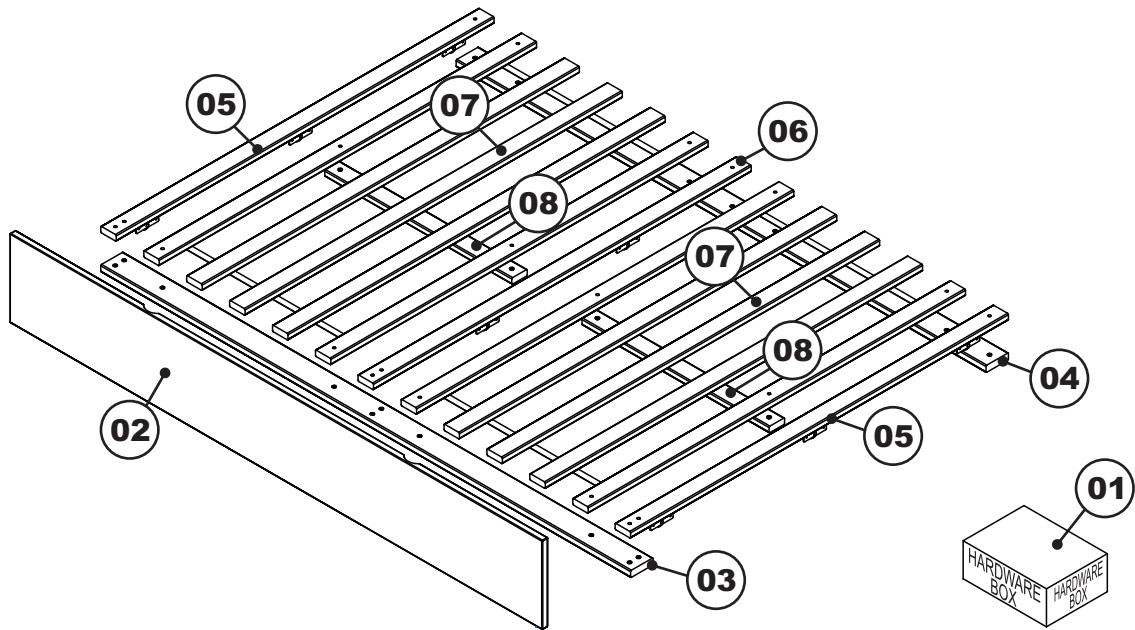
**C**  L Bracket - 3 pcs

**D**  Allen wrench - 1 pc  
Spare - 1 pc

FULL

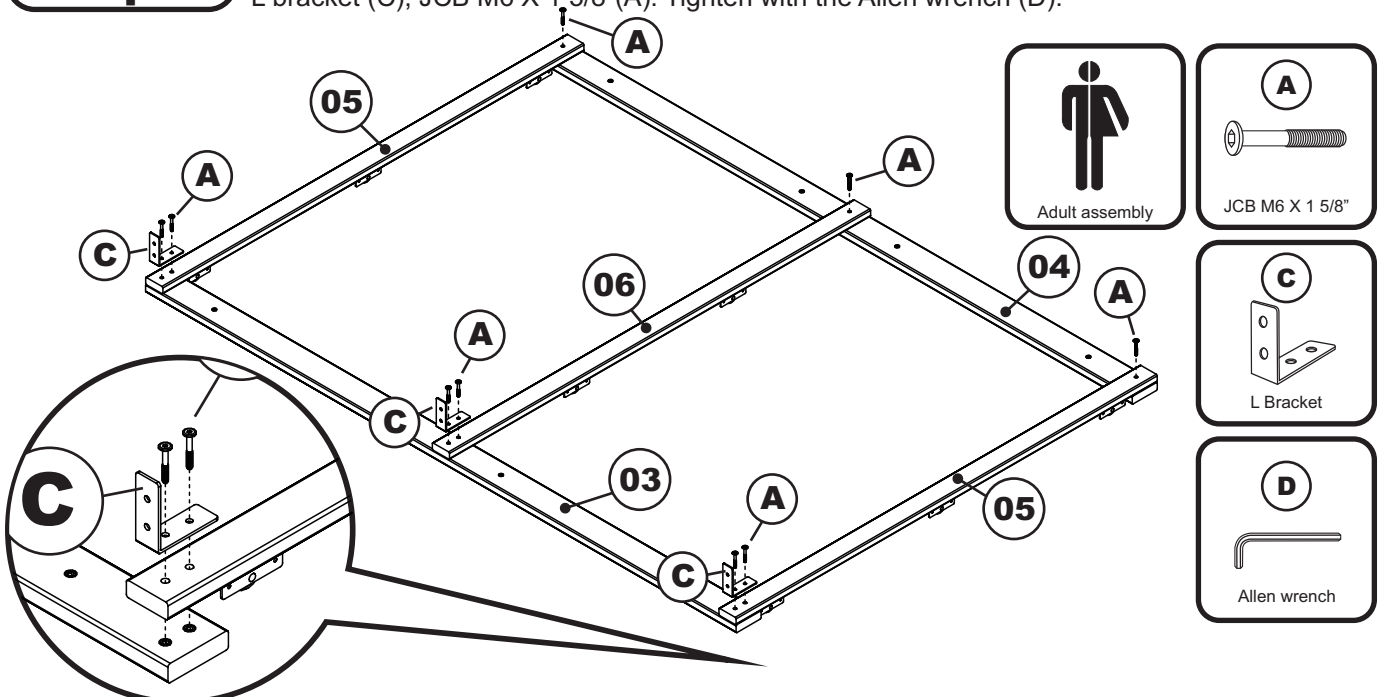
PARTS LIST

01	HARDWARE	1 BOX	05	SIDE CROSS RAIL	2 PCS
02	FRONT PANEL	1 PC	06	CENTER CROSS RAIL	1 PC
03	FRONT RAIL	1 PC	07	SLAT KIT	2 SET
04	BACK RAIL	1 PC	08	CENTER SLAT SUPPORT	2 PCS



**Step 1**

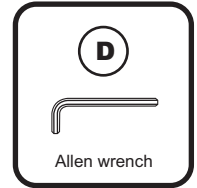
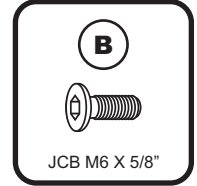
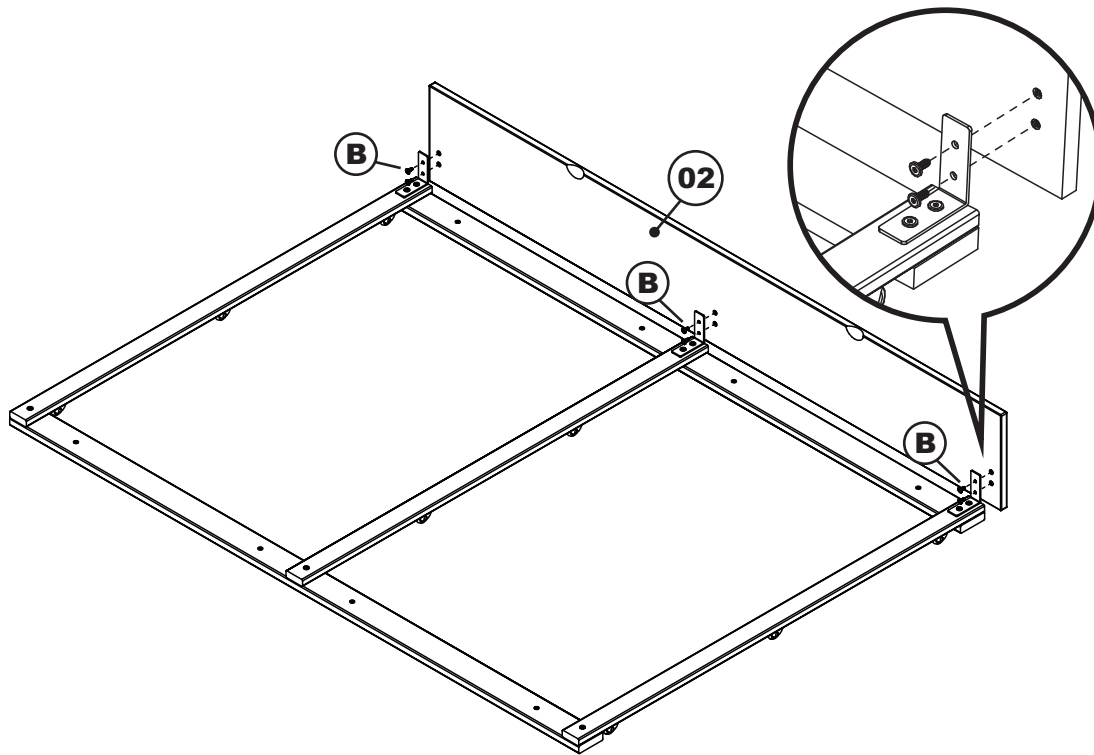
Attach the side cross rails (05) and center cross rail (06) to the front and back rail (03)(04), using L bracket (C), JCB M6 X 1 5/8" (A). Tighten with the Allen wrench (D).



**FULL**

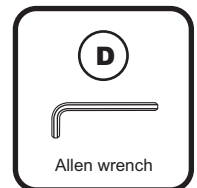
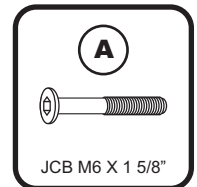
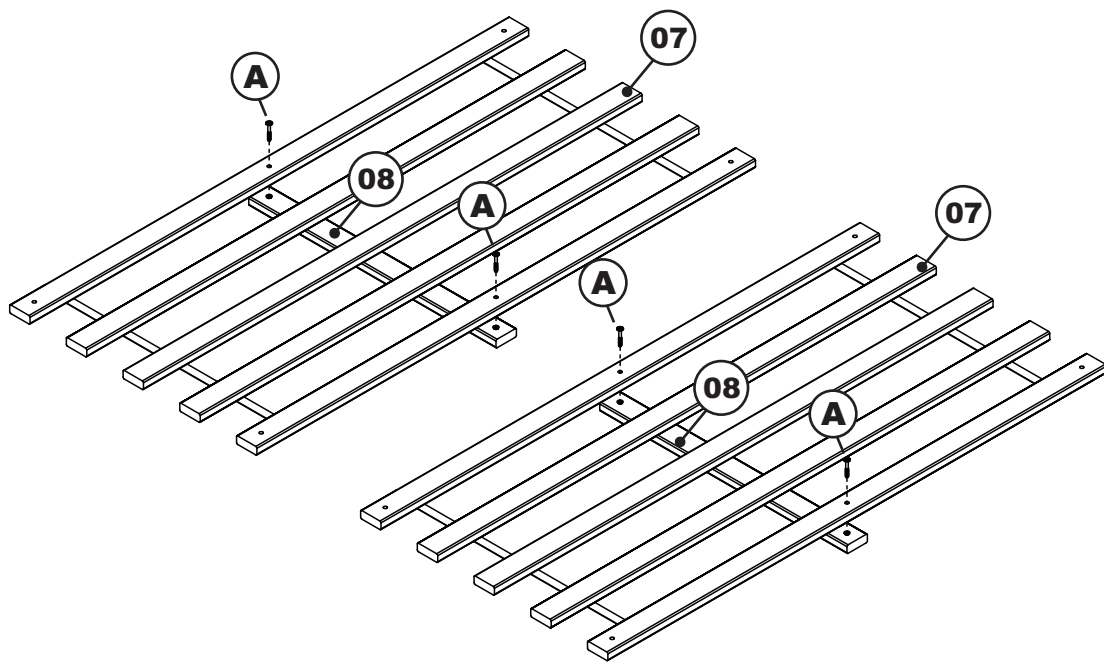
**Step 2**

Attach the front panel (02) to the front rail as shown, using JCB M6 X 5/8" (B). Tighten with the Allen wrench (D).



**Step 3**

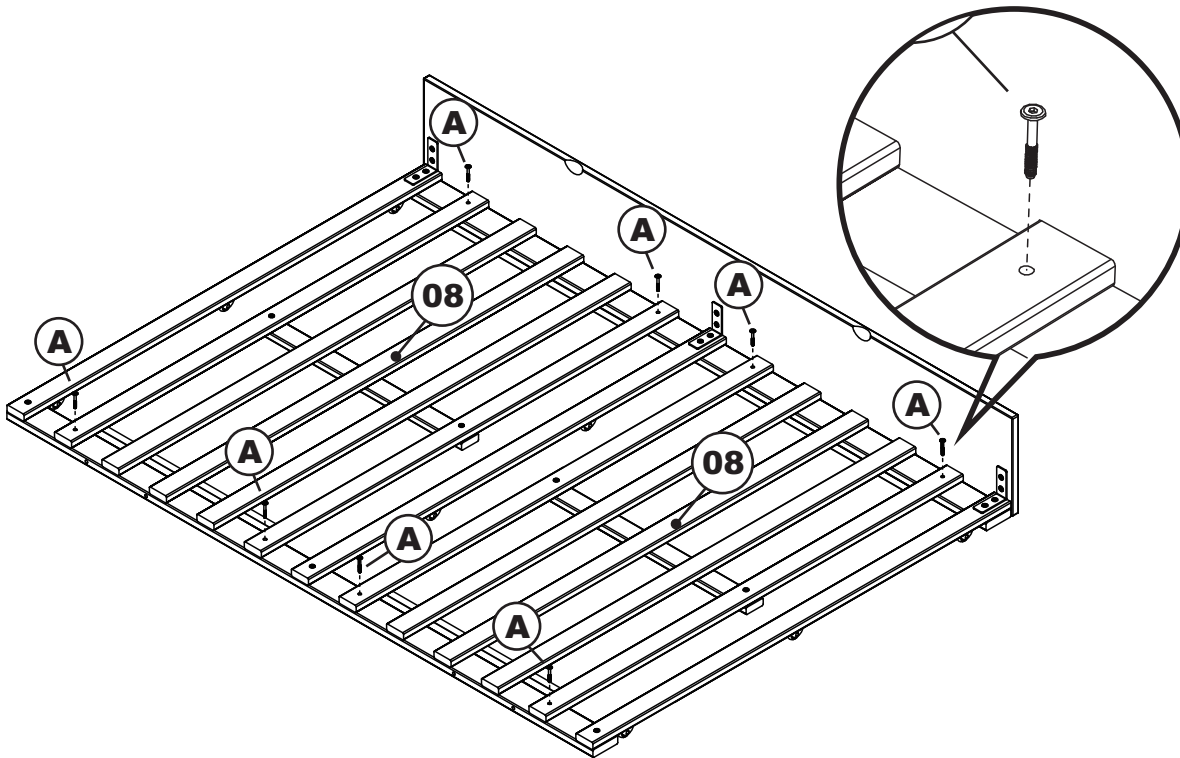
Attached center slat support(08) to the slat kit (07) as shown, using JCB M6 X 1 5/8" (A). Tighten with the Allen wrench (D).



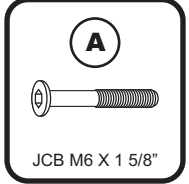
**FULL**

**Step 4**

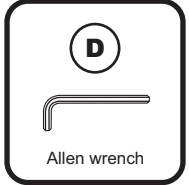
Lay the slat kit (07) onto the rail assembly as shown, using JCB M6 X 1 5/8" (A). Tighten with the Allen wrench (D).



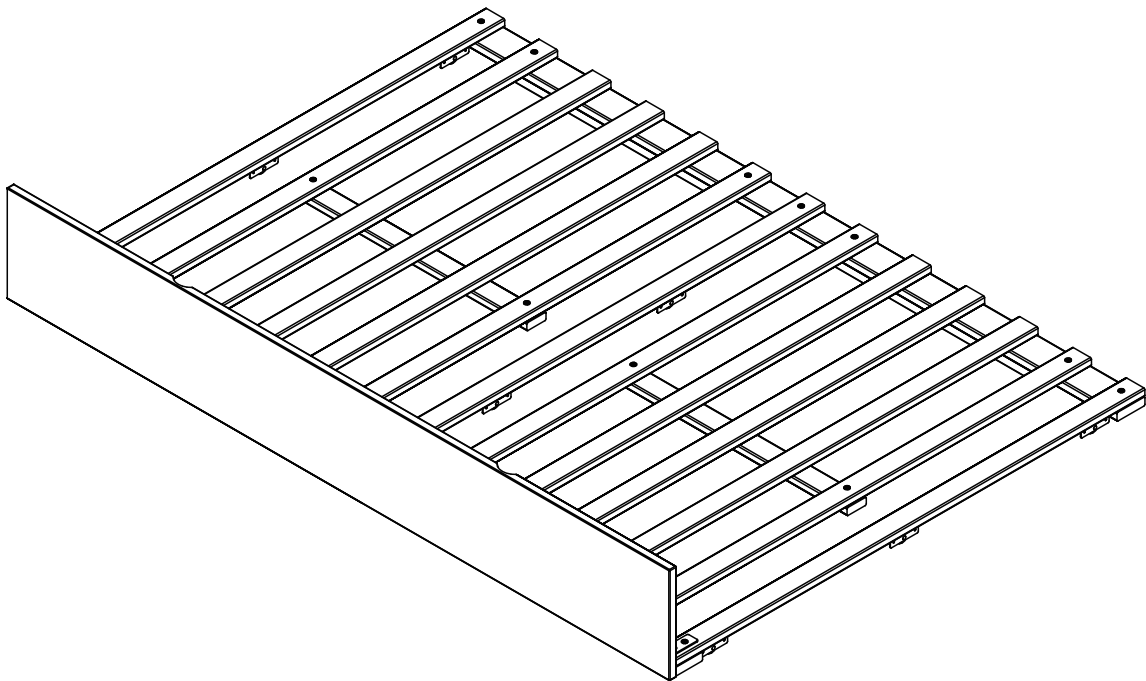
Adult assembly



JCB M6 X 1 5/8"



Allen wrench



**Congratulations!**

Your Trundle bed is now ready for use.  
We recommend that you periodically check that all screws are tight and all parts are secure to ensure lasting safety.