

ASSEMBLY INSTRUCTIONS

Before assembling your headboard, please read through these instructions carefully and familiarize yourself with the different parts.

ATTENTION! If you receive a damaged or defective item, please contact afifurnishings at customerservice@afifurnishings.com or 1-800-955-3726



PARTS LIST

- 1 HEADBOARD PANEL 1 PC
- 2 LEFT LEG 1 PC
- 3 RIGHT LEG 1 PC
- 4 WOOD DOWELS 4 PCS
(Factory Installed)

Instructions apply for bed sizes
TWIN > FULL

HARDWARE

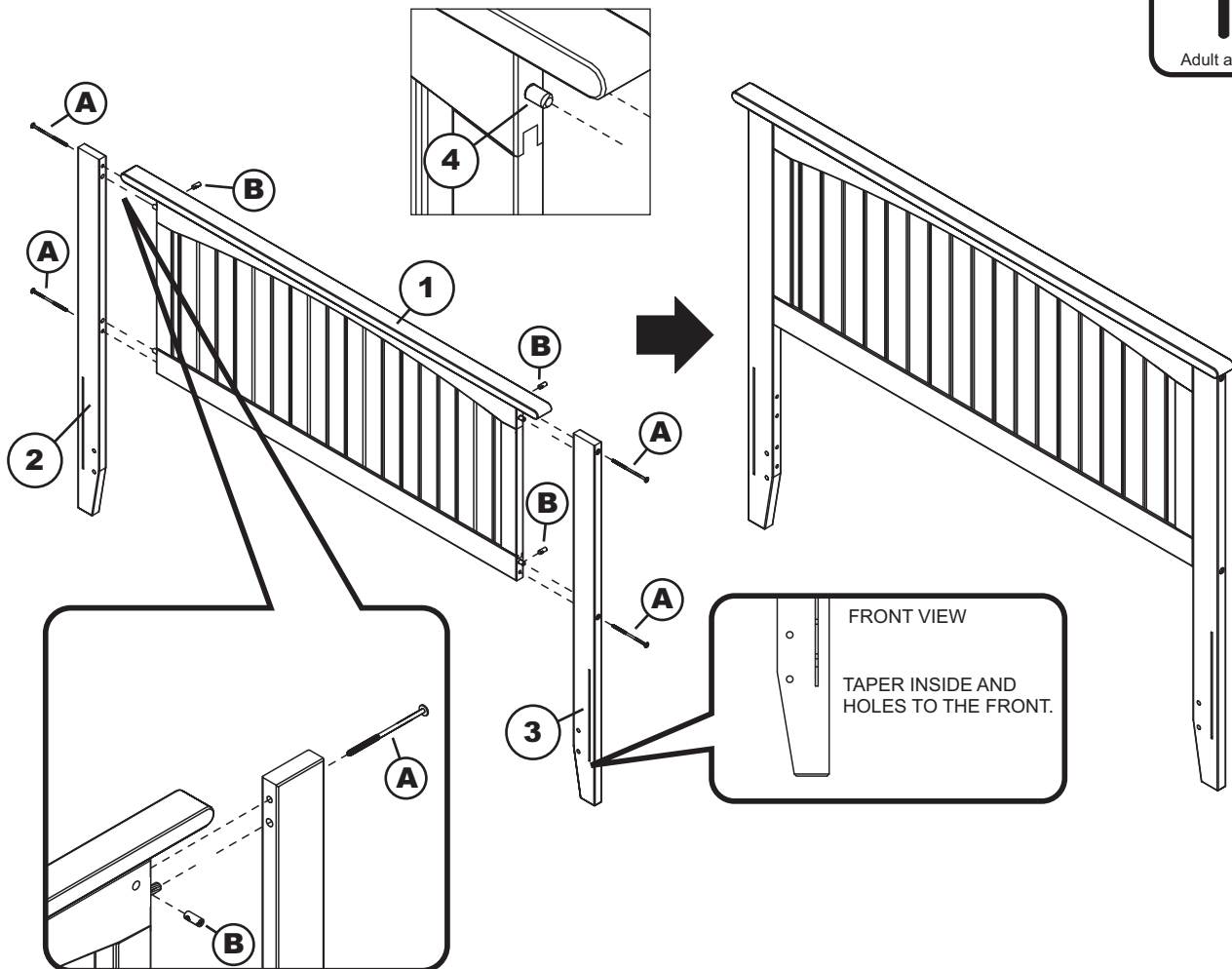
- A JCB M6 X 110mm (4 3/8") - 4 pcs
Spare - 1 pc
 - B Barrel nut - 4 pcs
Spare - 1 pc
 - F Allen wrench - 1 pc
Spare - 1 pc
- HARDWARE FOR METAL BED FRAME

 - C JCB M6 X 25mm (1") - 4 pcs
Spare - 1 pc
 - D Flat washer - 4 pcs
Spare - 1 pc
 - E Split washer - 4 pcs
Spare - 1 pc

NOTE: WE INCLUDE SPARE HARDWARE IN CASE DAMAGE OCCURS DURING ASSEMBLY.

Step 1

Attach the legs (2) and (3) to headboard panel (1), using JCB (A) and barrel nut (B). Tighten with the Allen wrench (F).



CODE	ITEM	ITEM
HB-NKT	R-28282X	R-28283X

PO :

If you purchased a wood headboard to attach to metal bed frame, please refer to page 2.

ASSEMBLY INSTRUCTIONS



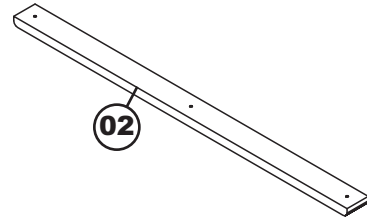
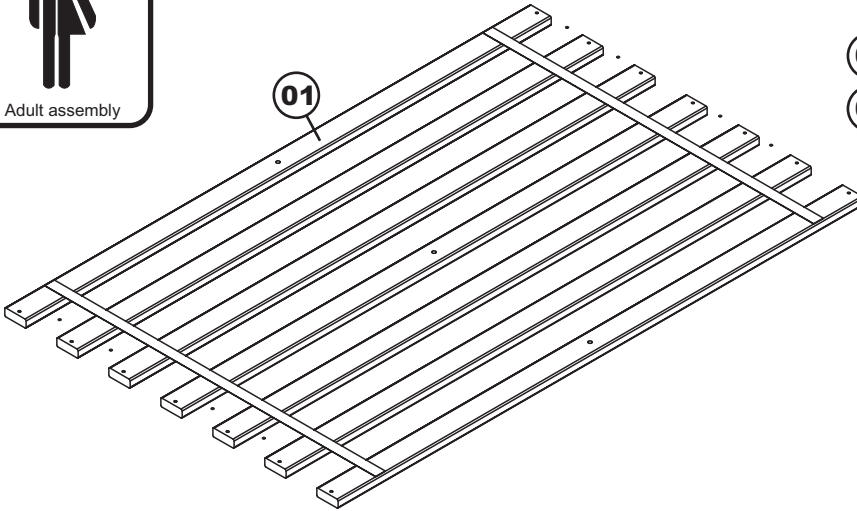
Before assembling your bed slat kit, please read through these instructions carefully and familiarize yourself with the different parts. Please note that you will require a Phillips screwdriver and an Allen wrench.

ATTENTION! If you receive a damaged or defective item, please contact afifurnishings at customerservice@afifurnishings.com or 1-800-955-3726



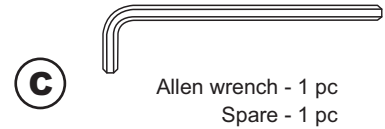
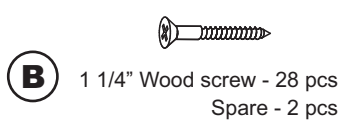
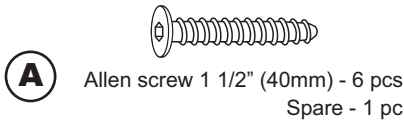
PARTS LIST

01	SLAT SECTION	2 SET
02	SUPPORT RAIL	2 PCS

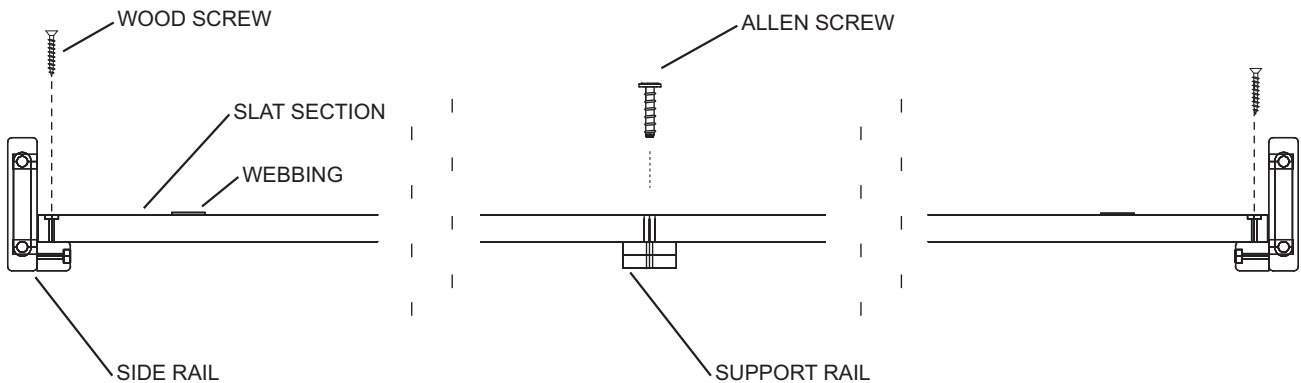


NOTE: WE INCLUDE SPARE HARDWARE IN CASE THE WOOD SCREWS ARE DAMAGED DURING ASSEMBLY.

HARDWARE



DETAIL ASSEMBLE VIEW



CODE SL-PF
ITEM E-65300

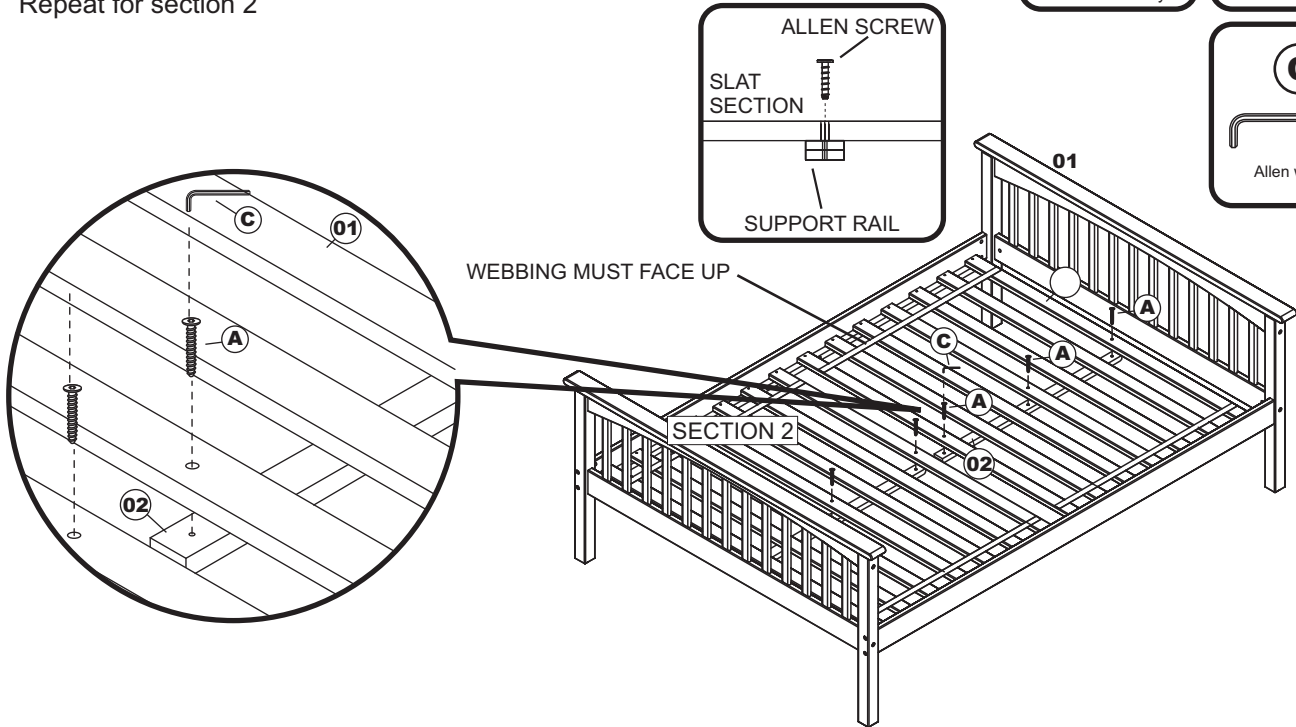
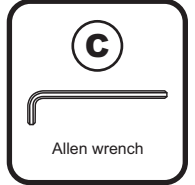
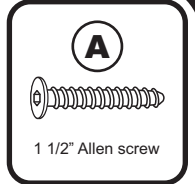
PO :

Step 1

Assemble bed frame according to assembly instructions.

Step 2

Lay the slat section onto the bed as shown. Attach support rail (02) to slat section (01) using Allen screw (A), tighten with the Allen wrench (C). Repeat for section 2



Step 3

Be sure to align slat section evenly with both ends of side rail.

Screw slat section (01) to side rail, using wood screw (B). Tighten with Phillips screwdriver. (Customer supplied)

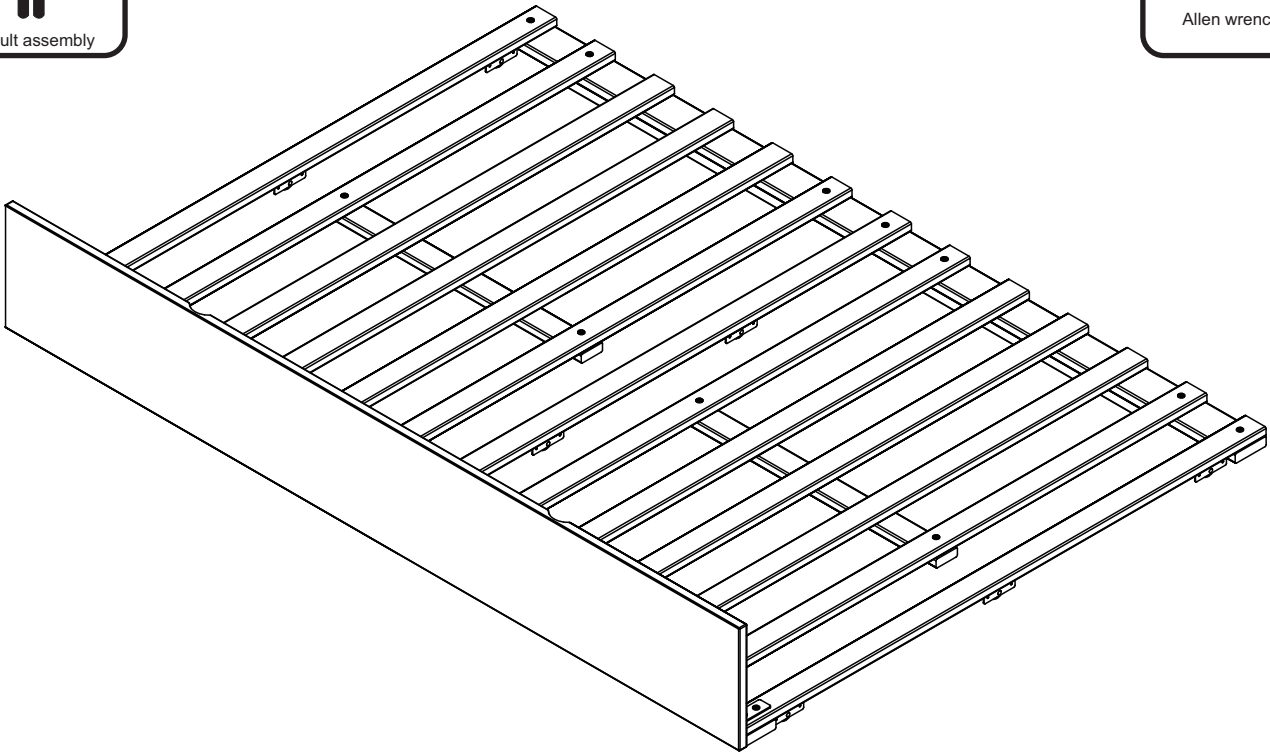
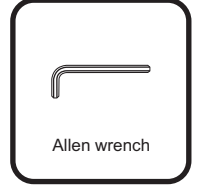
Be sure the space between slats is even.



ASSEMBLY INSTRUCTIONS FULL

Before assembling your Trundle bed, please read through these instructions carefully. Familiarize yourself with the different parts.

ATTENTION! If you receive a damaged or defective item, please contact afifurnishings at customerservice@afifurnishings.com or 1-800-955-3726

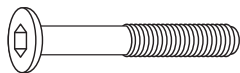


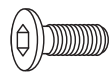
CODE	ITEM
ST-TD-UBN	E-6713X

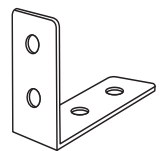
PO :


HARDWARE

NOTE: WE INCLUDE SPARE HARDWARE IN CASE DAMAGE OCCURS DURING ASSEMBLY.

A  JCB M6 X 1 5/8" (40mm) - 21 pcs
Spare - 1 pc

B  JCB M6 X 5/8" (15mm) - 6 pcs
Spare - 1 pc
Fix L bracket to front panel

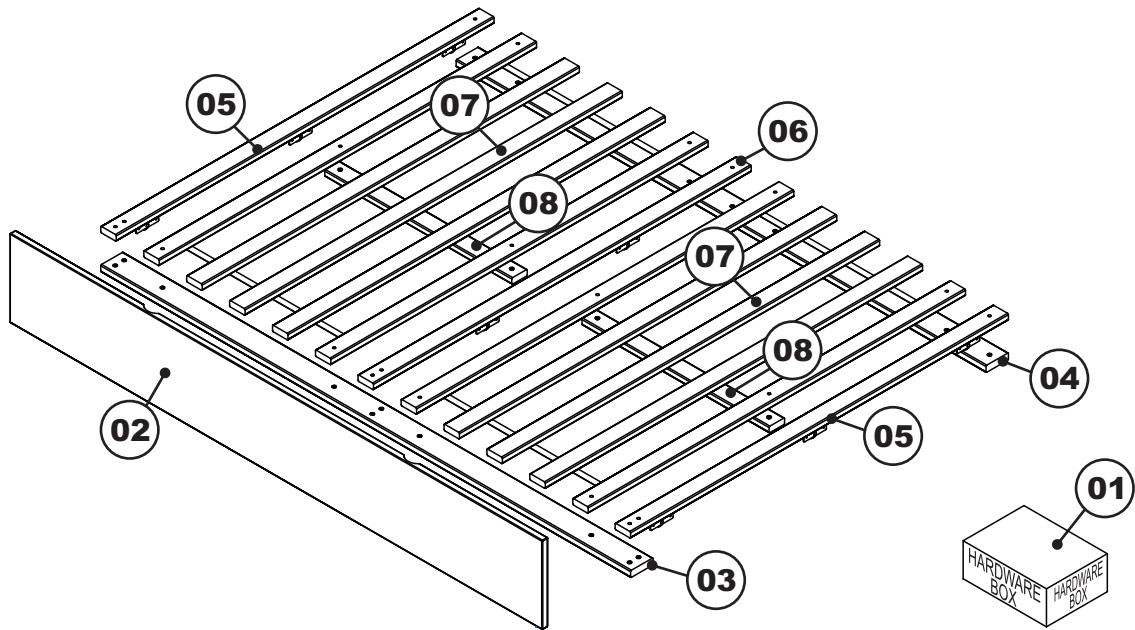
C  L Bracket - 3 pcs

D  Allen wrench - 1 pc
Spare - 1 pc

FULL

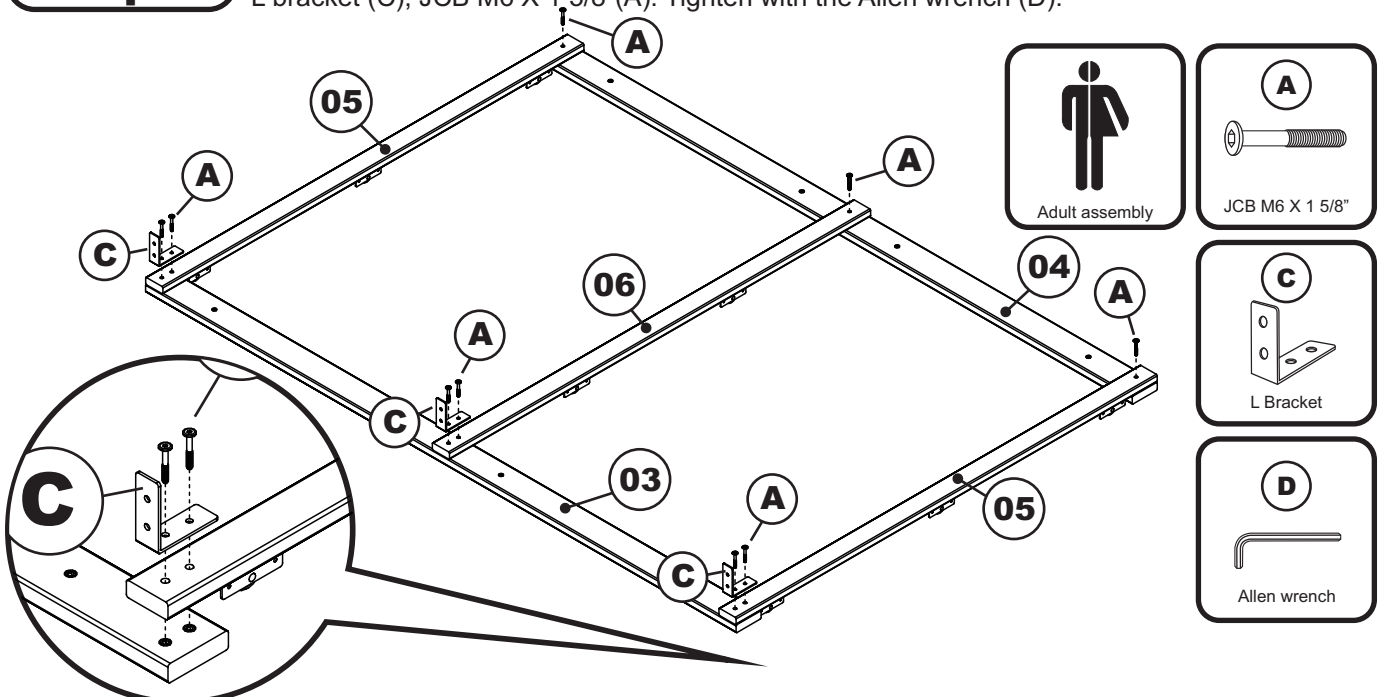
PARTS LIST

01	HARDWARE	1 BOX	05	SIDE CROSS RAIL	2 PCS
02	FRONT PANEL	1 PC	06	CENTER CROSS RAIL	1 PC
03	FRONT RAIL	1 PC	07	SLAT KIT	2 SET
04	BACK RAIL	1 PC	08	CENTER SLAT SUPPORT	2 PCS



Step 1

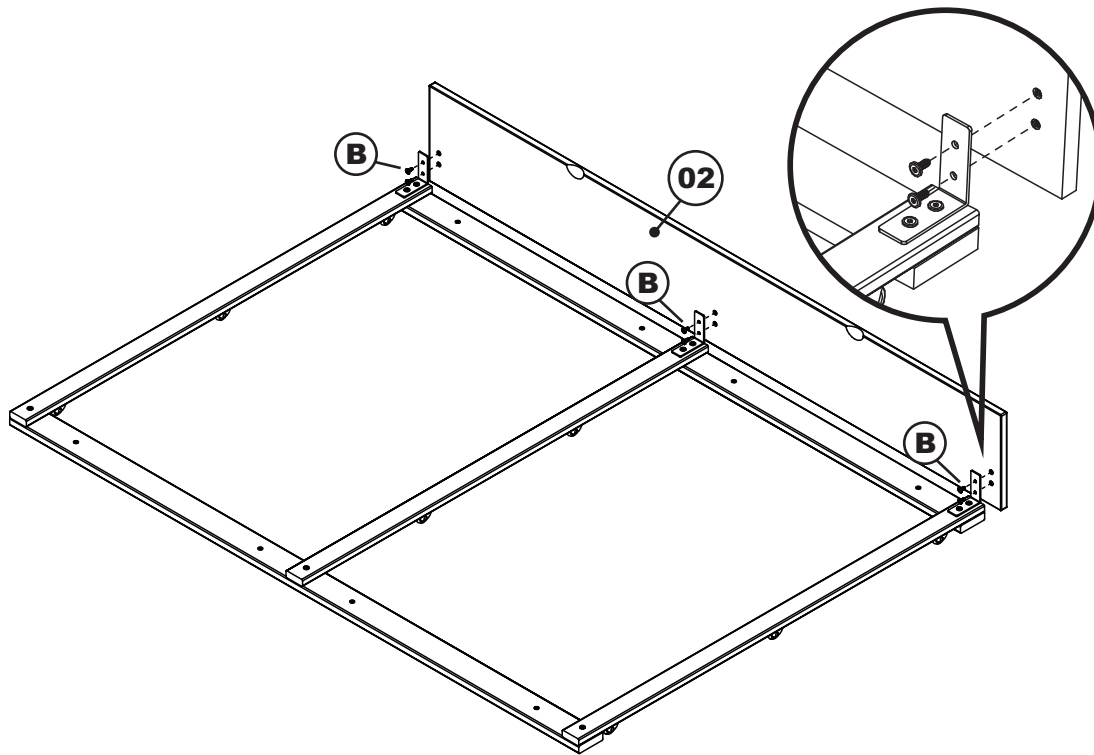
Attach the side cross rails (05) and center cross rail (06) to the front and back rail (03)(04), using L bracket (C), JCB M6 X 1 5/8" (A). Tighten with the Allen wrench (D).



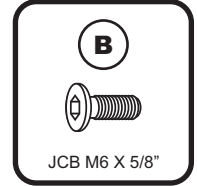
FULL

Step 2

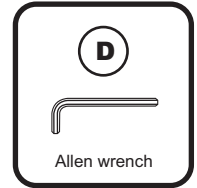
Attach the front panel (02) to the front rail as shown, using JCB M6 X 5/8" (B). Tighten with the Allen wrench (D).



Adult assembly



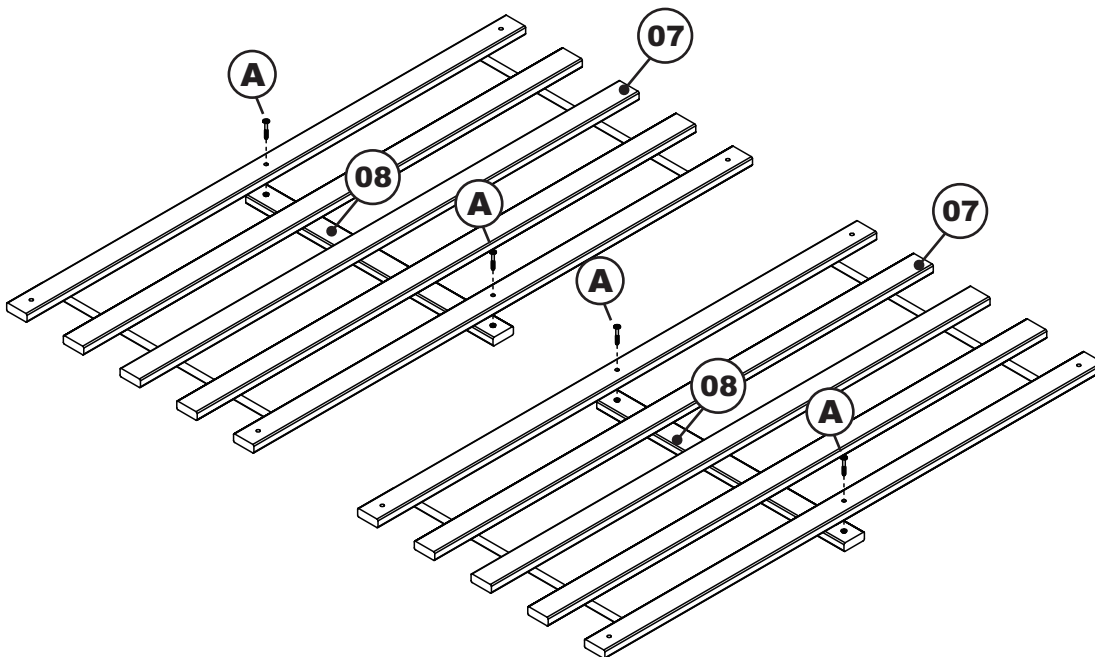
JCB M6 X 5/8"



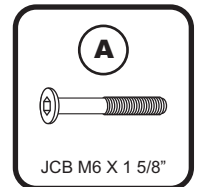
Allen wrench

Step 3

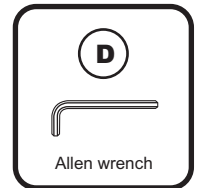
Attached center slat support(08) to the slat kit (07) as shown, using JCB M6 X 1 5/8" (A). Tighten with the Allen wrench (D).



Adult assembly



JCB M6 X 1 5/8"

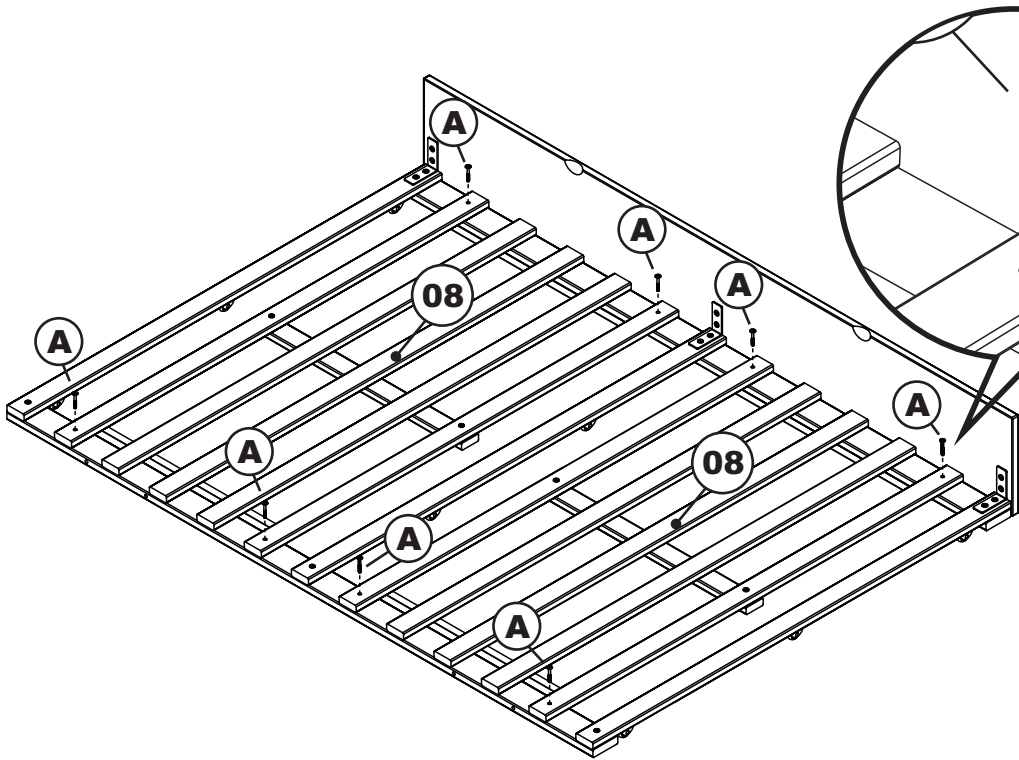


Allen wrench

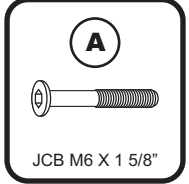
FULL

Step 4

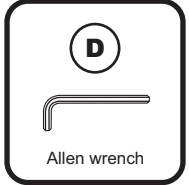
Lay the slat kit (07) onto the rail assembly as shown, using JCB M6 X 1 5/8" (A). Tighten with the Allen wrench (D).



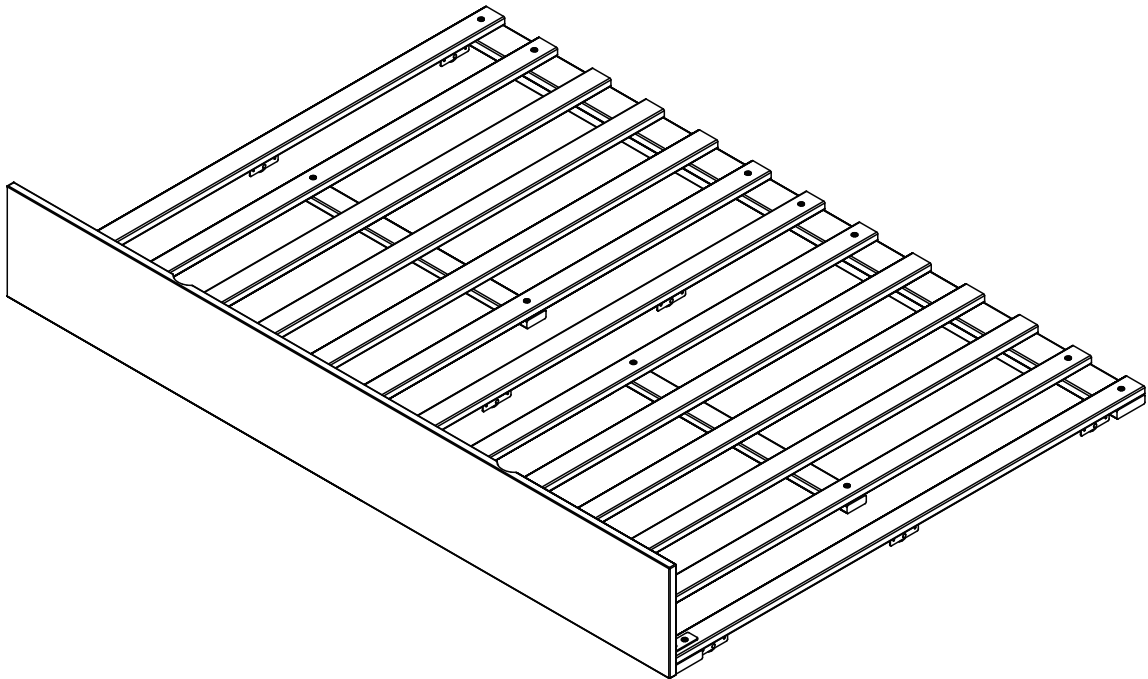
Adult assembly



JCB M6 X 1 5/8"



Allen wrench



Congratulations!

Your Trundle bed is now ready for use.
We recommend that you periodically check that all screws are tight and all parts are secure to ensure lasting safety.