

Size of Mattress and Foundation

The length and width of the upper and lower bunk mattress and foundation are as follows :

<u>Size</u>	<u>Length</u>	<u>Width</u>	<u>Thickness</u>
Twin	74" - 75"	37 ½" - 38 ½"	9 ½" max
Full	74" - 75"	52" - 53"	9 ½" max

You must use only this size mattress.

Ensure thickness of upper and lower mattress and foundation combined does not exceed 9 ½" and that the mattress is at least 5" below upper edge of guardrails.

This bunk bed uses a slat kit for mattress foundation.

Replacement Parts

Replacement parts, including additional guardrails, may be obtained from any affurnishings dealer



SAFETY WARNINGS



- (1) Follow the information on the warnings appearing on the upper bunk end structure and on the carton. Do not remove warning label from bed.
- (2) Always use the recommended size mattresses or mattress support, or both, to help prevent the likelihood of entrapment or falls.
- (3) Surface of mattress must be at least 5 in. (127mm) below the upper edge of guardrails.
- (4) Do not allow children under 6 years of age to use the upper bunk.
- (5) Periodically check and ensure that the guardrail, ladder, and other component are in their proper position, free from damage, and that all connectors are tight.
- (6) Do not allow horseplay on or under the bed and prohibit jumping on the bed.
- (7) Always use ladder for entering or leaving upper bunk.
- (8) Do not use substitute parts. Contact the manufacturer or dealer for replacement parts.
- (9) Use of a night light may provide added safety precaution for a child using the upper bunk.
- (10) Always use guardrails on both long sides of the upper bunk. If the bunk bed will be placed next to the wall, the guardrail that runs the full length of the bed should be placed against the wall to prevent entrapment between the bed and the wall.
- (11) The use of water or sleep flotation mattresses is prohibited.
- (12) **STRANGULATION HAZARD** : Never attach or hang items to any part of the bunk bed that are not designed for use with the bed; for example, but not limited to, hooks, belts and jump ropes.
- (13) Keep these instructions for future reference.

ASSEMBLY INSTRUCTIONS (TWIN - TWIN) (TWIN - FULL) (FULL - FULL)

Before assembling your staircase bookshelf, please read through these instructions carefully. Familiarize yourself with the different parts.

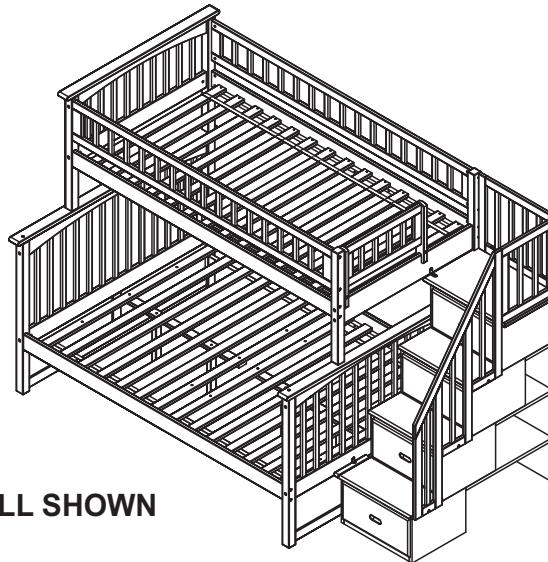
Please note that you will require a phillips head screwdriver and an allen wrench.

ATTENTION! If you receive a damaged or defective item, please contact afifurnishings at customerservice@afifurnishings.com or 1-800-955-3726

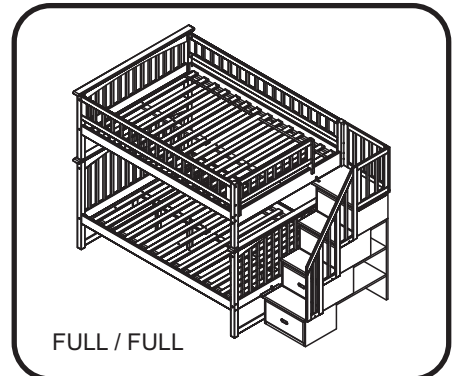
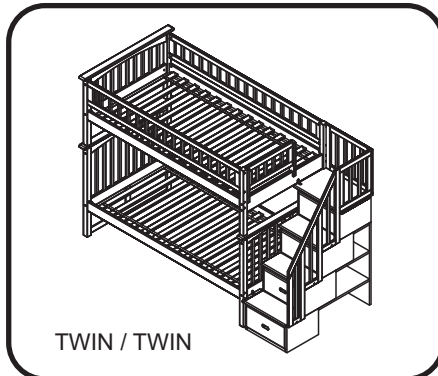
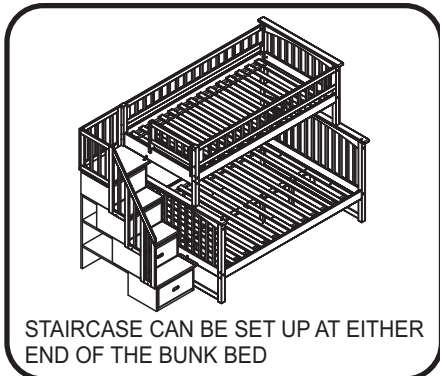
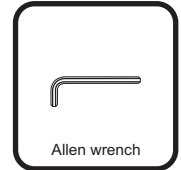


PO :

CODE	ITEM
BK-SCBS-COL	B-5222X
BK-SCDR-COL	B-5232X
BK-SCDR-COL	B-5262X
BK-SCGR-COL	B-5480X
BK-SCPL-COL	B-5515X
BK-SCPL-COL	B-5505X
BK-SCPL-COL	B-5525X
BK-SCPL-COL	B-5555X



TWIN OVER FULL SHOWN



NOTE: WE INCLUDE SPARE HARDWARE IN CASE DAMAGE OCCURS DURING ASSEMBLY.

PANEL HARDWARE

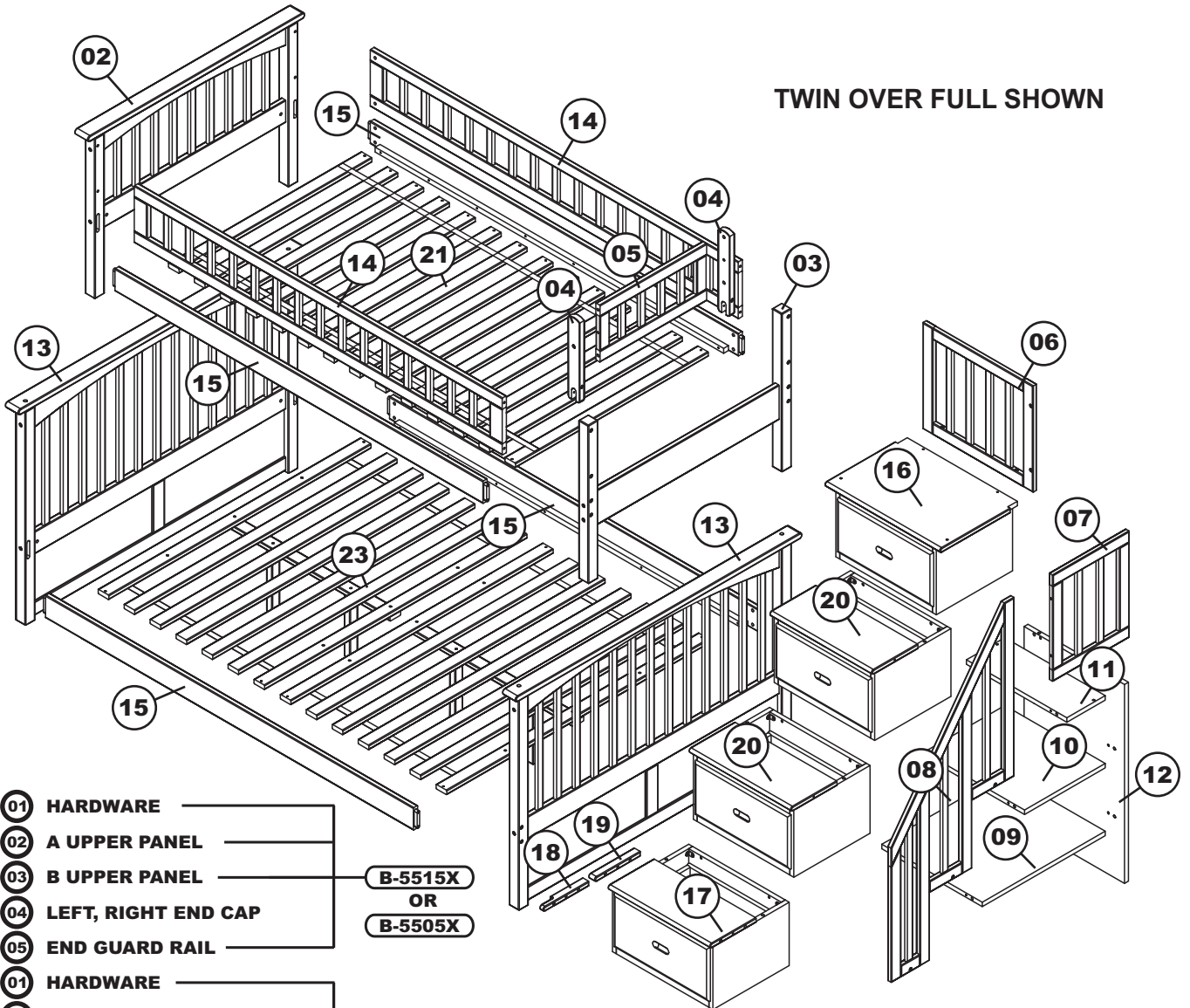
- A** JCB M6 X 3 1/2" (90mm) - 24 pcs
Spare - 2 pcs
- C** JCB M6 X 2 3/8" (60mm) - 2 pcs
- F** Barrel nuts - 26 pcs
Spare - 2 pcs
- I** Wooden dowel - 4 pcs
10 X 30mm
- G** Metal pins - 4 pcs
- O** Wood button - 4 pcs
In Full lower panel carton
- J** Wood screw 1 1/4" - 2 pcs
Spare - 1 pc
- P** Allen wrench - 1 pc
- Q** Surface Mount Charger - 1 set
Screws 1/2" - 2 pcs
Spare - 1 pc

HANDRAIL & BOOKSHELF HARDWARE

- B** JCB M6 X 3/4" (20mm) - 1 pc
with Flat washer
- I** Wooden dowel - 22 pcs
Spare - 2 pcs
10 X 30mm
- M** Flat Bracket - 2 pcs
- C** Allen screw 2" (50mm) - 15 pcs
Spare - 2 pcs
- K** Wood screw 5/8" - 7 pcs
Spare - 2 pcs
- D** Allen screw 1 5/8" (40mm) - 6 pcs
Spare - 1 pc
- L** Mini L Bracket - 1 pc
- N** L bracket - 1 pc
- E** Allen screw 3 1/8" (80mm) - 4 pcs
Spare - 1 pc
- P** Allen wrench - 1 pc
- H** Cap nut - 1 pc

PARTS LIST

TWIN OVER FULL SHOWN



- 01 HARDWARE
- 02 A UPPER PANEL
- 03 B UPPER PANEL
- 04 LEFT, RIGHT END CAP
- 05 END GUARD RAIL
- 01 HARDWARE
- 06 BACK GUARD RAIL
- 07 SIDE GUARD RAIL
- 08 HAND GUARD RAIL
- 09 BOTTOM SHELF
- 10 MIDDLE SHELF
- 11 TOP SHELF
- 12 BACK PANEL
- 13 LOWER PANEL
- 14 FRONT, BACK GUARDRAIL
- 15 SIDE RAILS
- 16 TOP DRAWER
- 17 BOTTOM DRAWER
- 18 SPECIAL BLOCK TWIN
- 19 SPECIAL BLOCK FULL
- 20 MIDDLE DRAWERS
- 21 TWIN SLAT KIT
- 22 FULL UPPER BUNK SLAT KIT
- 23 FULL LOWER BUNK SLAT KIT
- 24 TWIN LOWER BUNK SLAT KIT

B-5515X
OR
B-5505X

B-522X2

B-5525X OR B-5555X

B-54X80

B-523X2

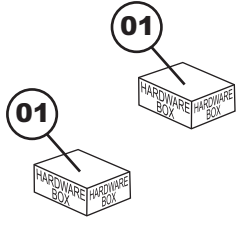
B-526X2

E-65200

E-65300

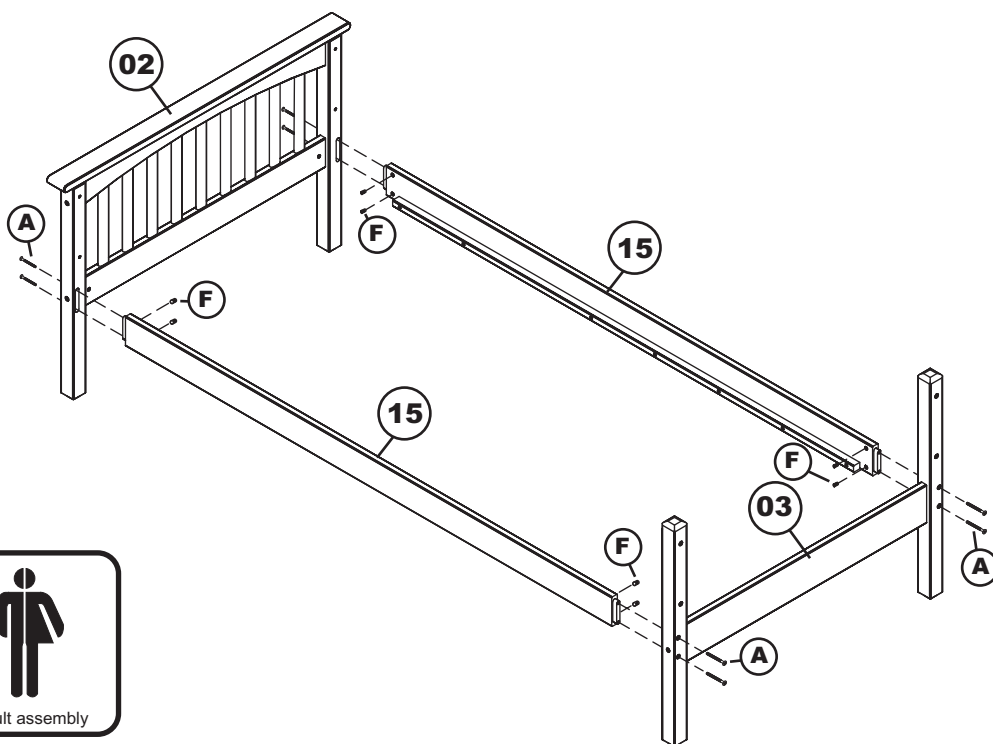
E-65301

E-65200



STEP 1

Attach the side rails (15) to the A upper panel (02) and B upper panel (03), using JCB M6 X 3 1/2" (A), and barrel nut (F). Tighten with the Allen wrench (P). Twin upper panel shown. Full over Full bunk use Full upper panel.



A



JCB M6 X 3 1/2"

F



Barrel nut

P



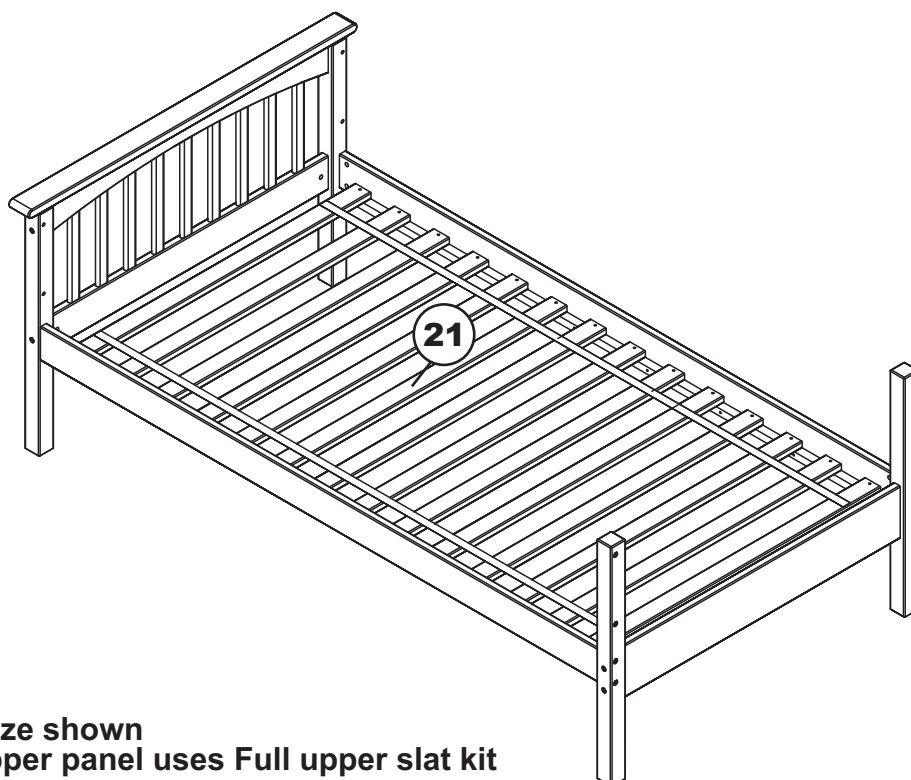
Allen wrench



Adult assembly

STEP 2

Lay the twin slat kit (21) onto the bed. Fix in place using wood screws provided in the slat kit box. FOR SLAT KIT ASSEMBLY follow assembly instructions included with slat kit.



Adult assembly

Customer supplied

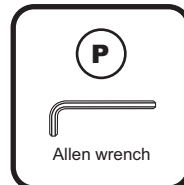
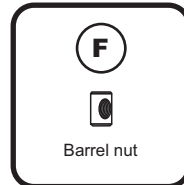
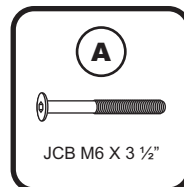
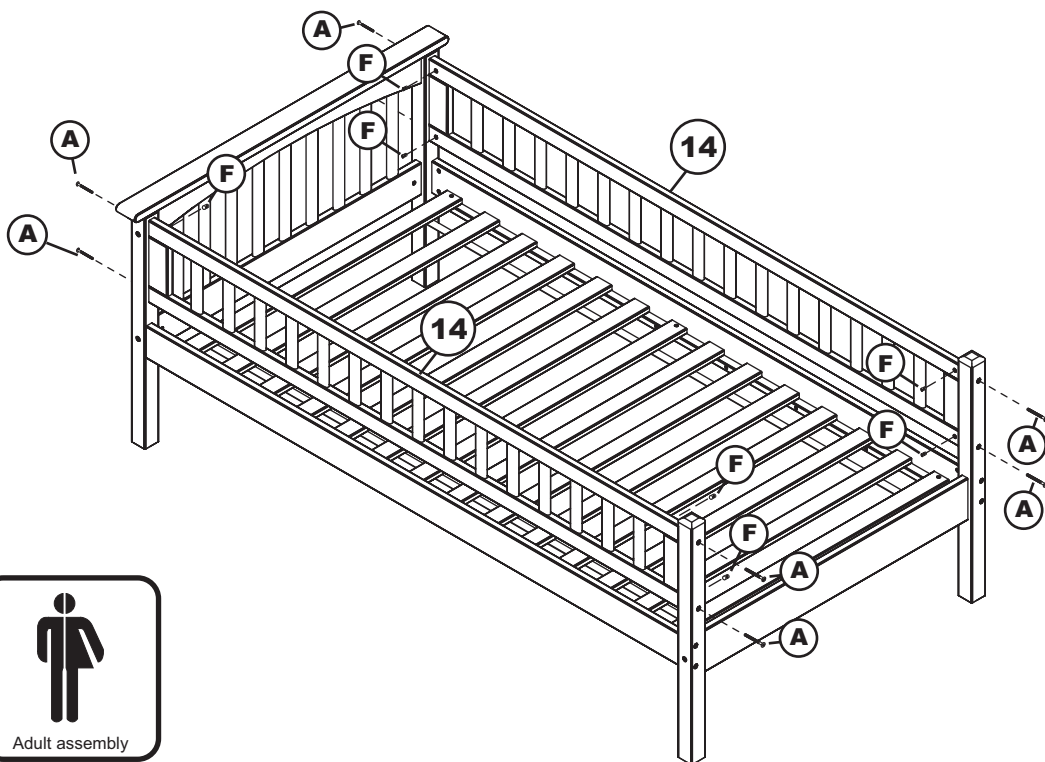


Phillips screwdriver

Twin size shown
Full Upper panel uses Full upper slat kit

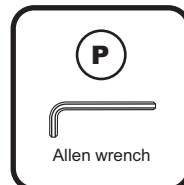
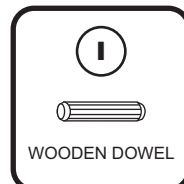
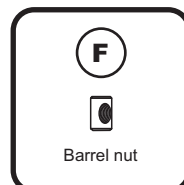
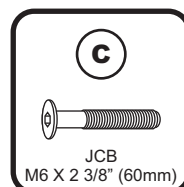
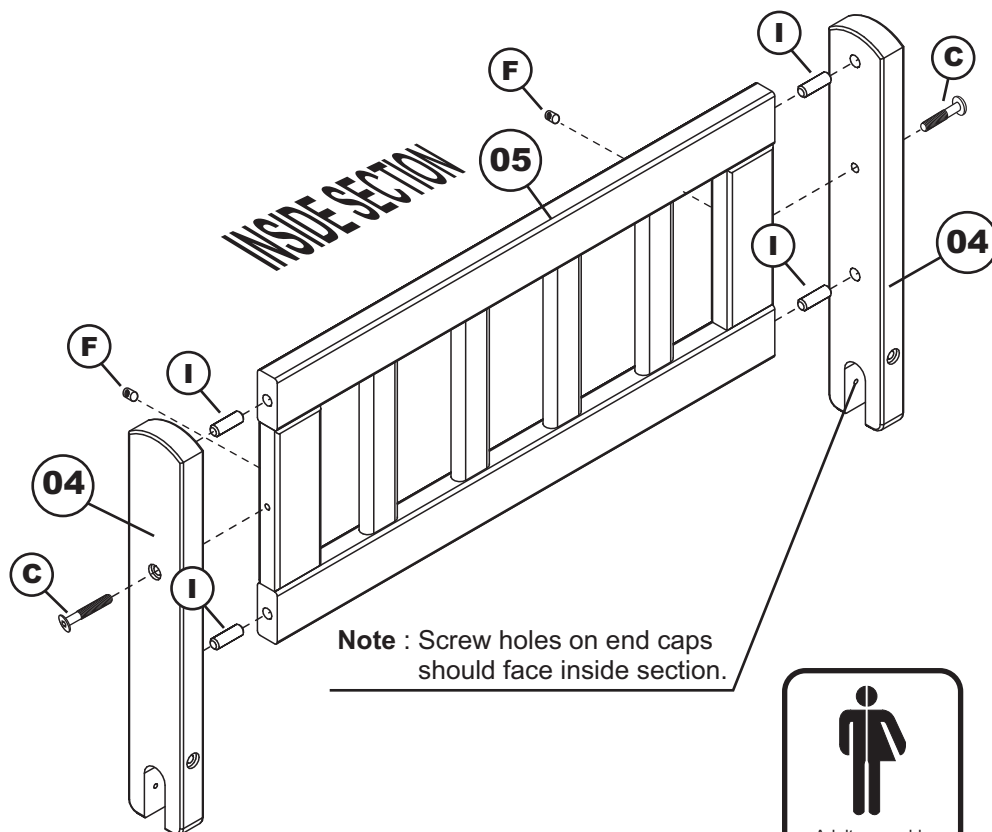
STEP 3

Attach the guard rails (14) to the upper panel assemblies using JCB M6 X 3 1/2" (A), and barrel nut (F). Tighten with the Allen wrench (P).



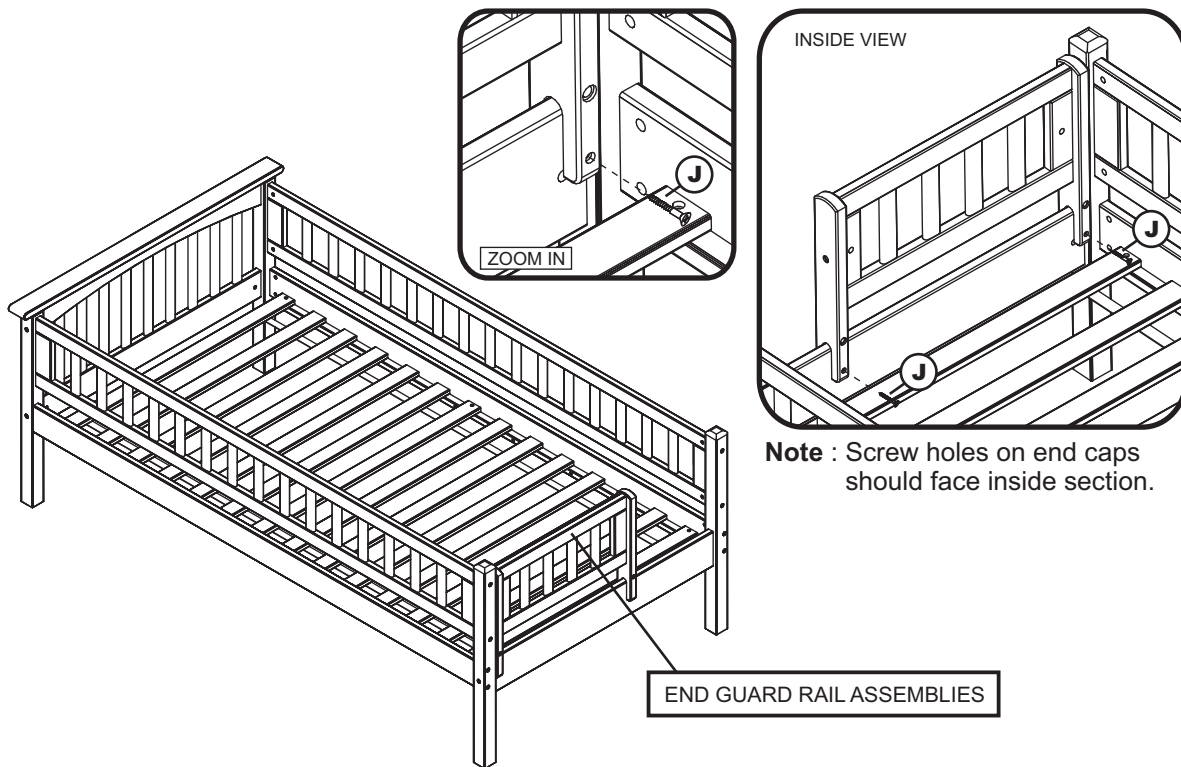
STEP 4

Attach the end guard rail (05) to the end caps (04), using wood dowels (I) JCB M6 X 2 3/8"(C) and barrel nut (F). Tighten with the Allen wrench (P).



STEP 5

Attach the end guard rail assemblies to the upper panel assemblies as shown below, using wood screw (J), tighten with the Phillips head screwdriver. (Customer supplied)



Adult assembly

J



WOOD SCREW
1 1/4"

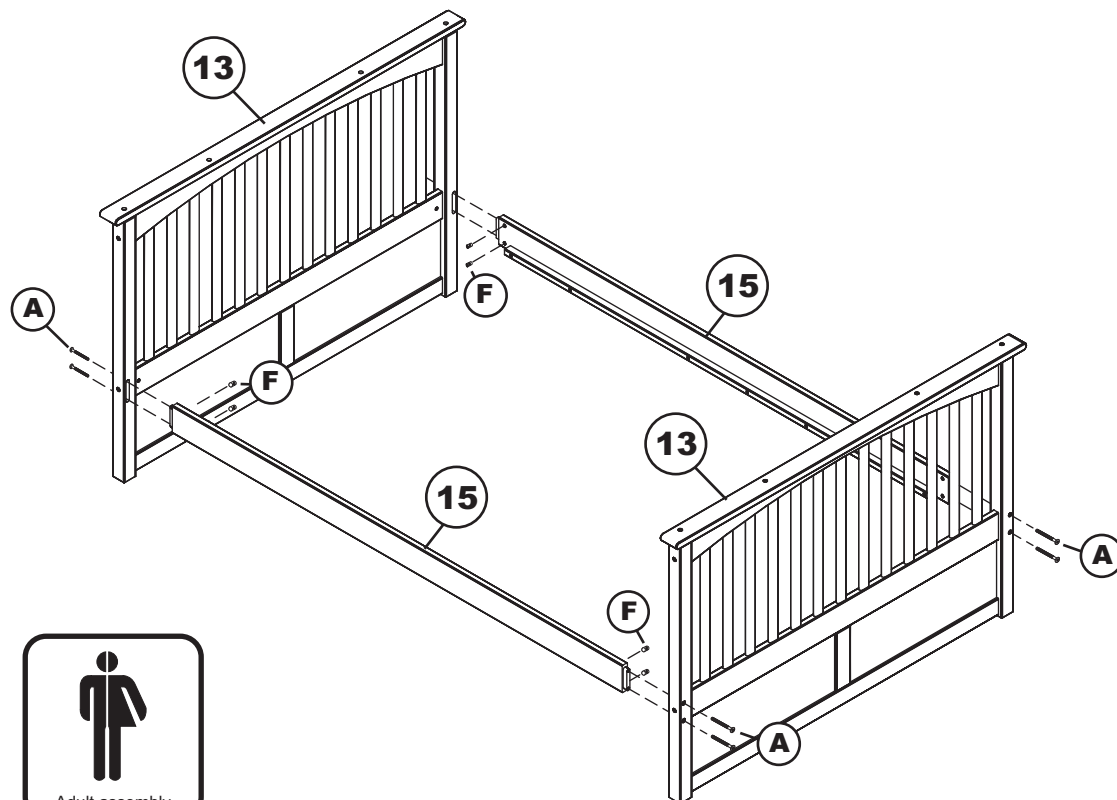
Customer supplied



Phillips screwdriver

STEP 6

Attach the side rails (15) to the lower panels (13) using JCB M6 X 3 1/2" (A), and barrel nut (F). Tighten with the Allen wrench (P). Full lower panel shown. Twin over Twin bunk use Twin lower panel.



A



JCB M6 X 3 1/2"

F



Barrel nut

P



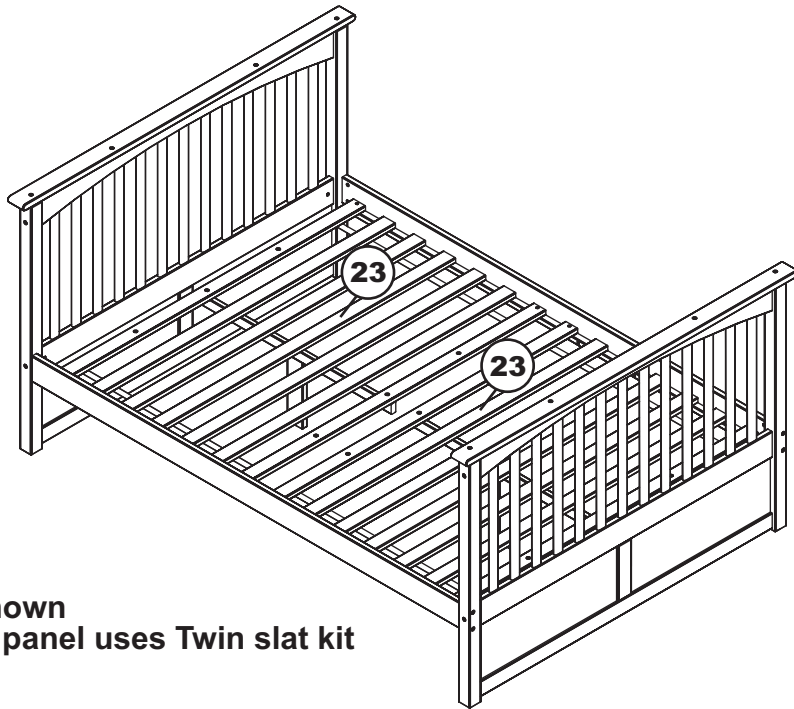
Allen wrench



Adult assembly

STEP 7

Lay the full slat kit (23) onto the bed. Fix in place using wood screws provided in the slat kit box. FOR SLAT KIT ASSEMBLY follow assembly instructions included with slat kit.



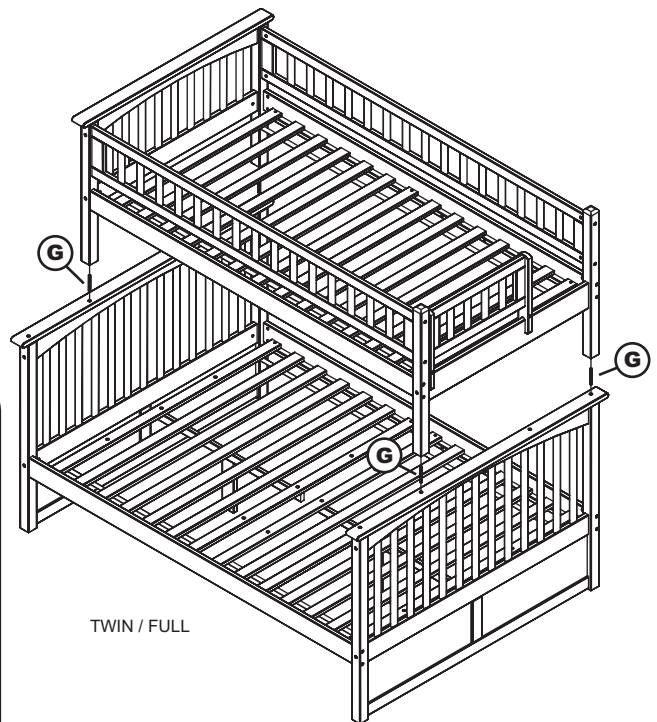
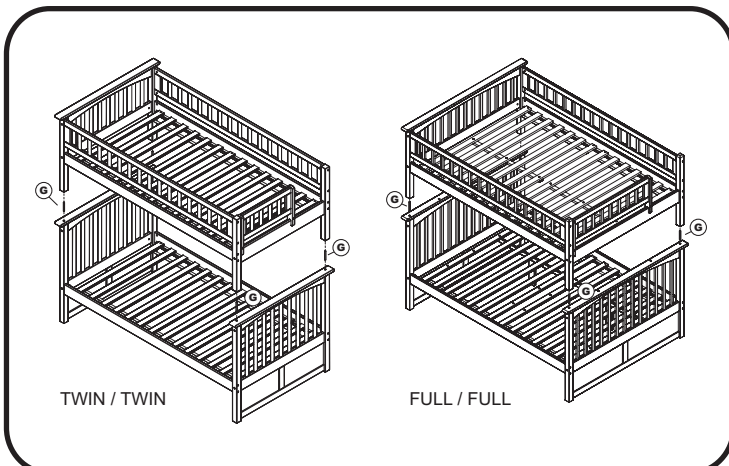
Full size shown
Twin lower panel uses Twin slat kit

STEP 8

Insert metal pins (G) into the holes on top of the lower panels. Lift the upper panels onto the lower panels as shown, and fit the metal pins into the holes in the bottom of the upper panel legs.

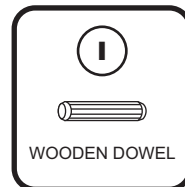
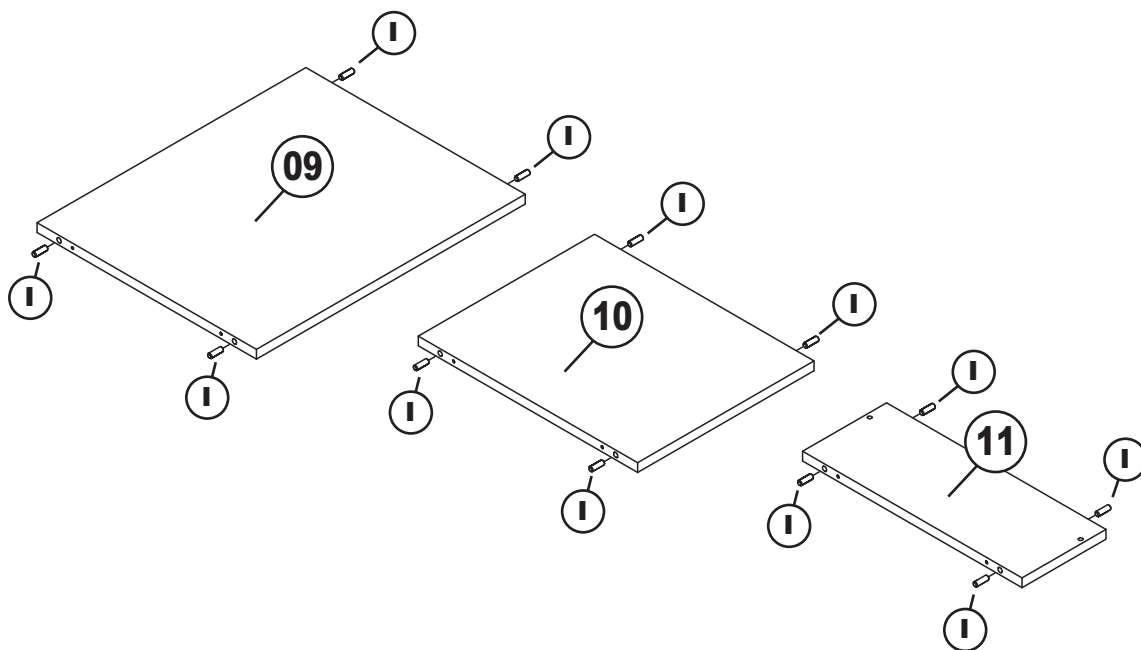


CAUTION
This step requires
two strong people.



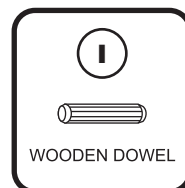
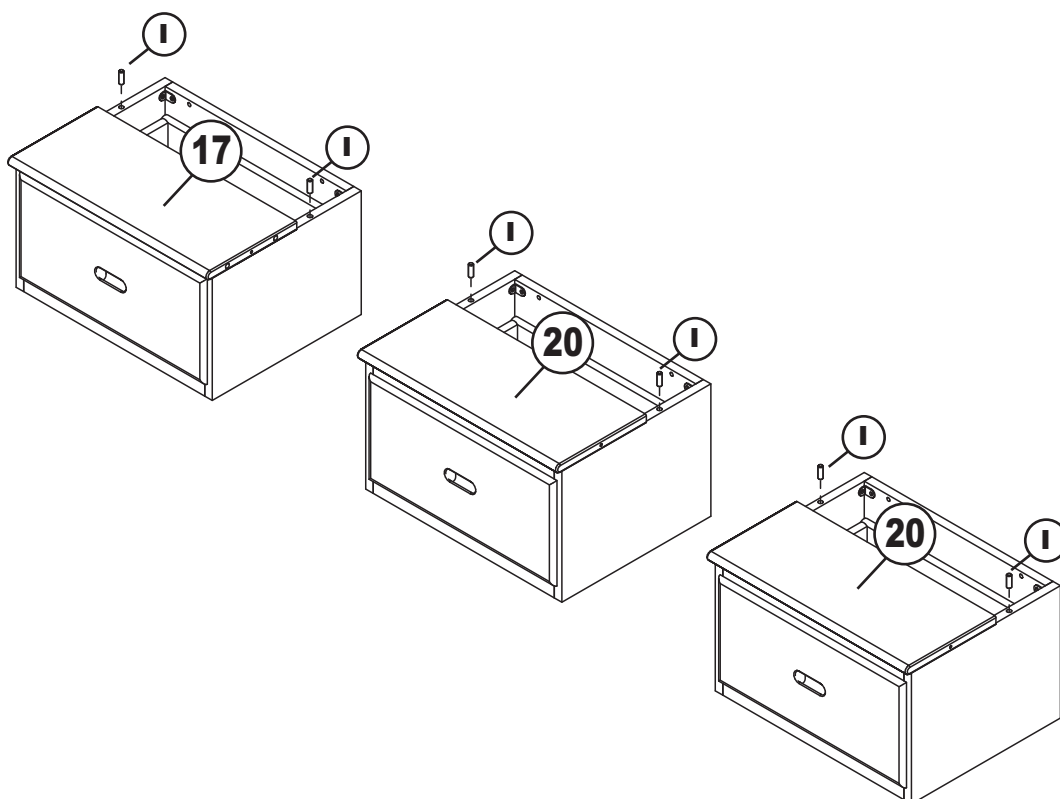
STEP 9

Insert wooden dowels (I) into the shelves (09)(10)(11) as shown below.



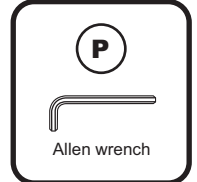
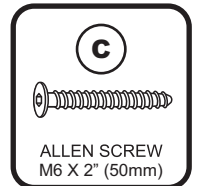
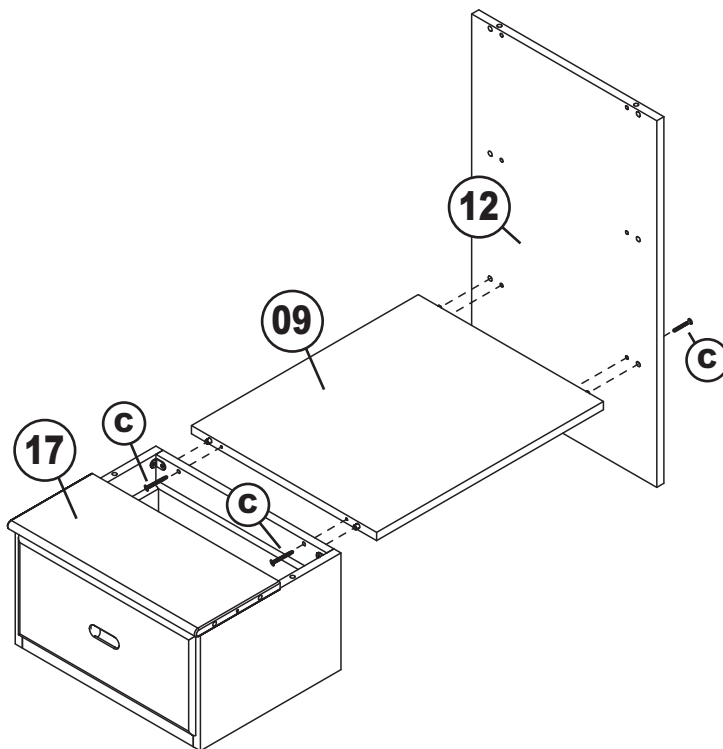
STEP 10

Insert wooden dowels (I) into the bottom drawer (17) and middle drawer (20) as shown below.

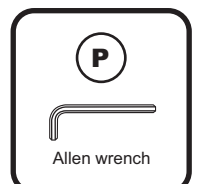
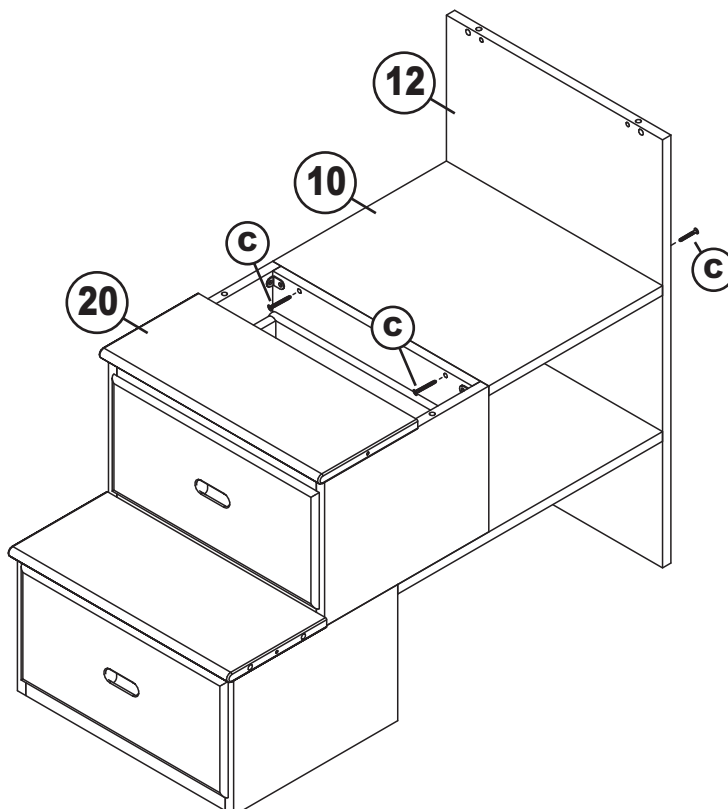


STEP 11

Attach the bottom shelf (09) to the bottom drawer (17) and back panel (12). Using Allen screw M6 X 2" (C). Tighten with Allen wrench (P).

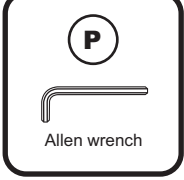
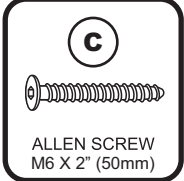
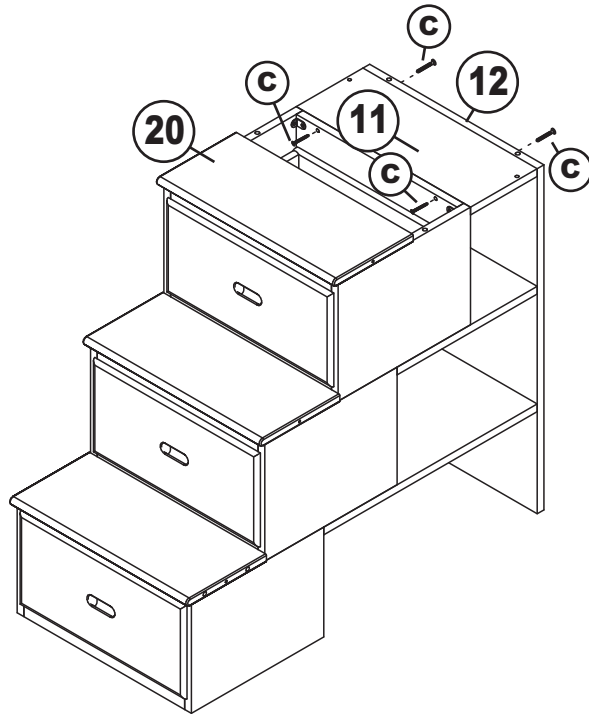
**STEP 12**

Attach the middle shelf (10) to the middle drawer (20) and back panel (12). Using Allen screw M6 X 2" (C). Tighten with Allen wrench (P).



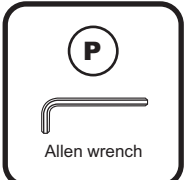
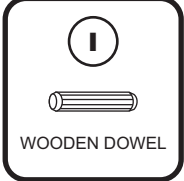
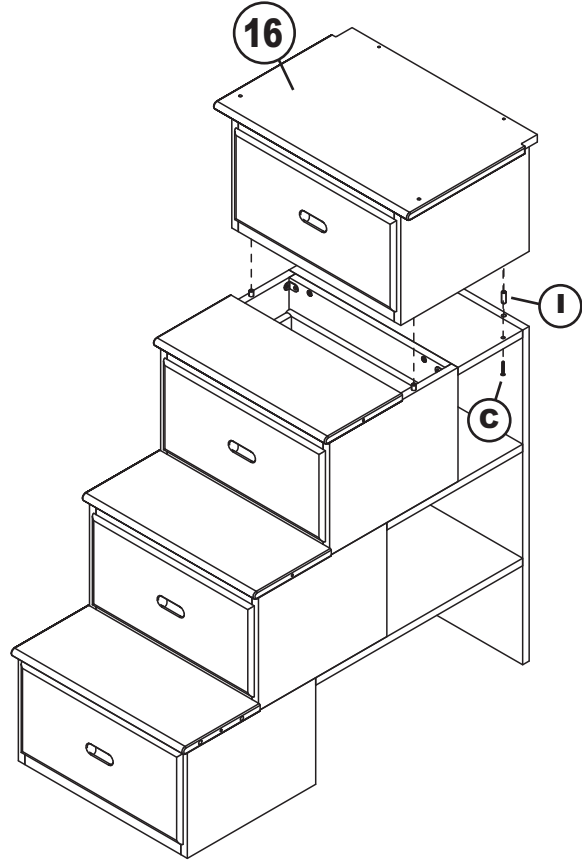
STEP 13

Attach the top shelf (11) to the middle drawer (20) and back panel (12). Using Allen screw M6 X 2" (C). Tighten with Allen wrench (P).



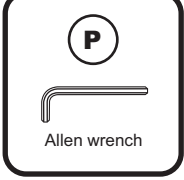
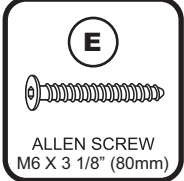
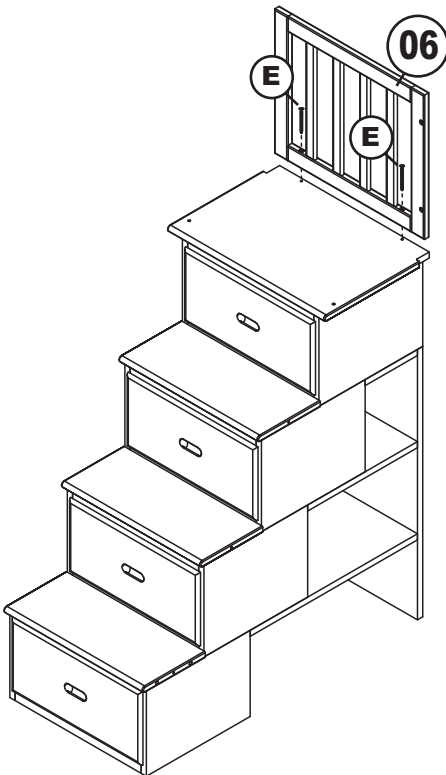
STEP 14

Attach the top drawer (16) as shown below. Using wood dowels (I) and Allen screw M6 X 2" (C). Tighten with Allen wrench (P).



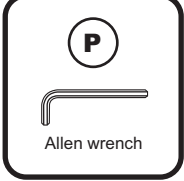
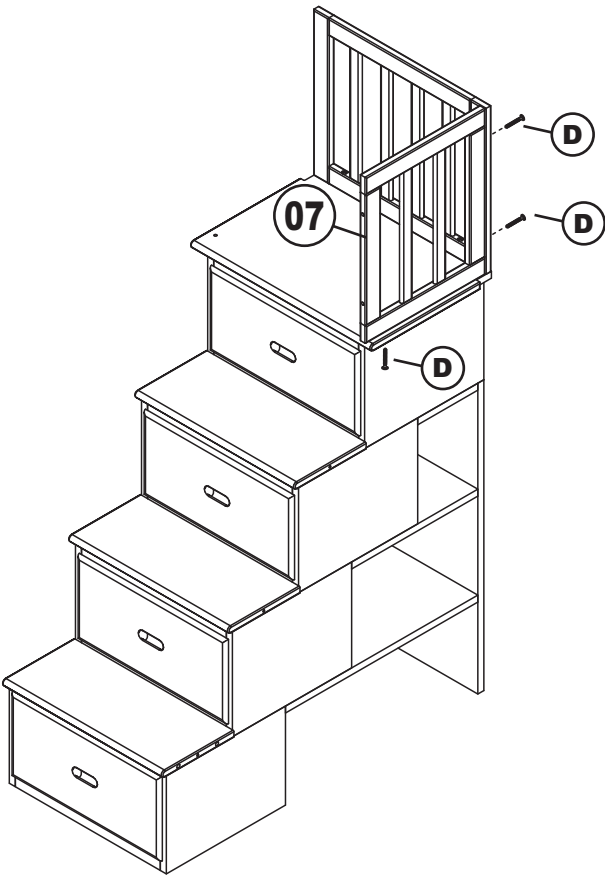
STEP 15

Attach back guard rail (06) as shown below. Using Allen screw M6 X 3 1/8" (E). Tighten with Allen wrench (P).



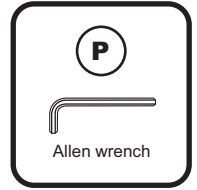
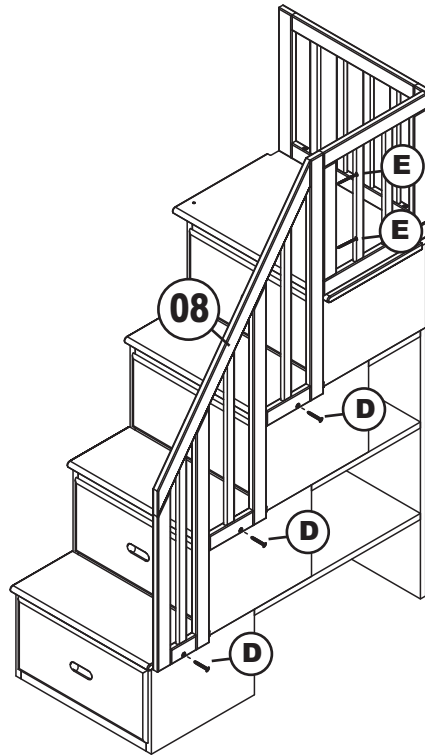
STEP 16

Attach side guard rail (07) as shown below. Using Allen screw M6 X 1 5/8" (D). Tighten with Allen wrench (P).



STEP 17

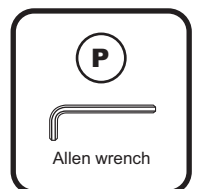
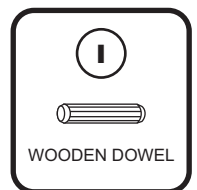
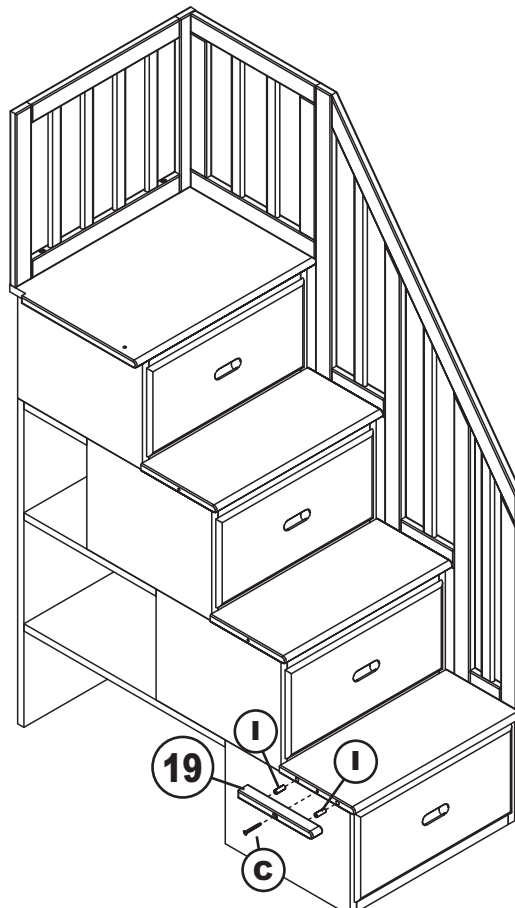
Attach hand guard rail (08) as shown below. Using Allen screw M6 X 3 1/8" (E) and M6 X 1 5/8" (D). Tighten with Allen wrench (P).



STEP 18

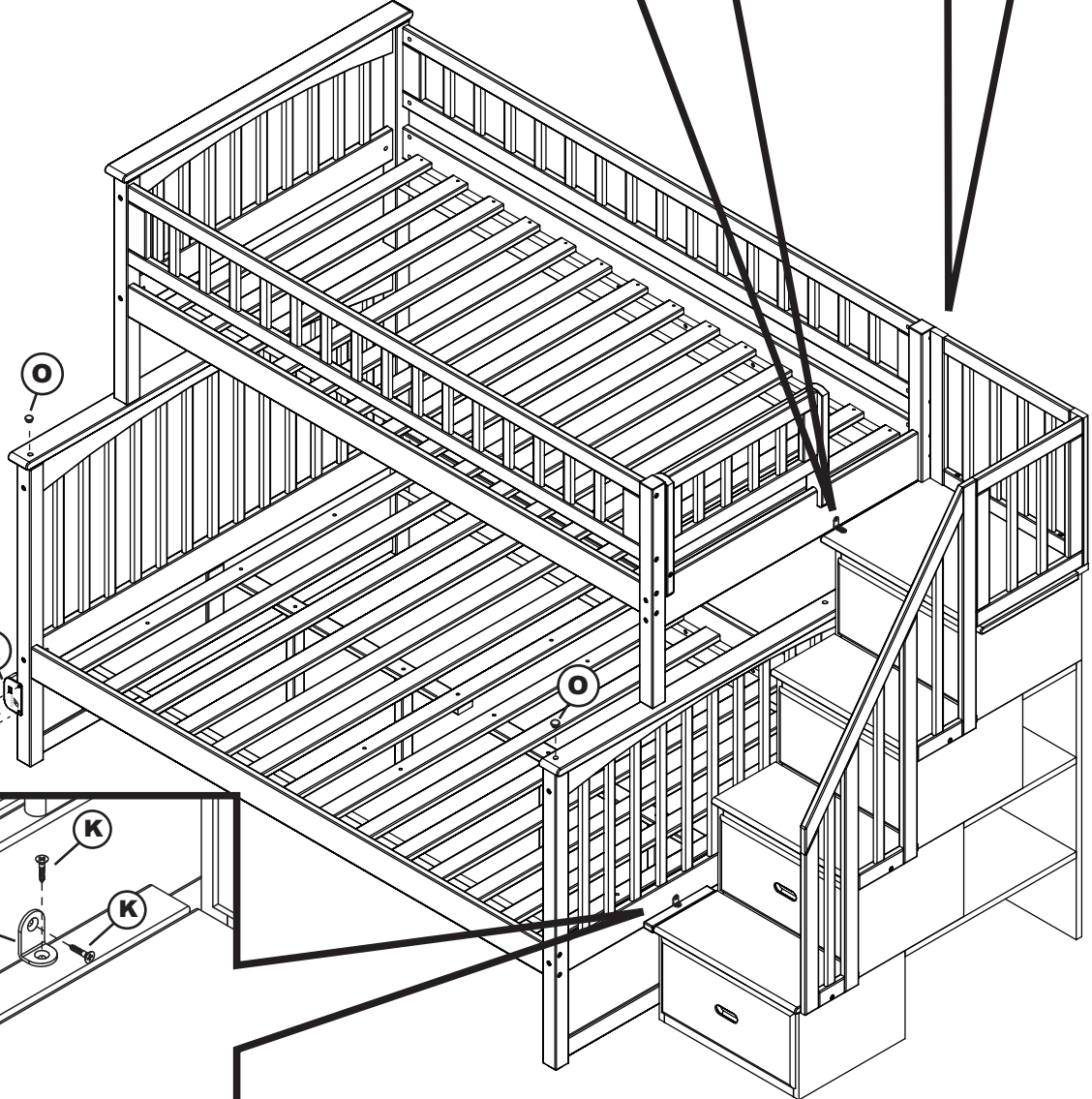
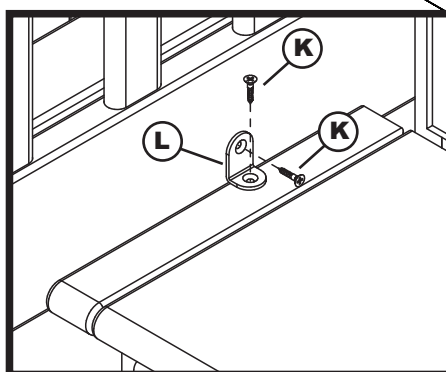
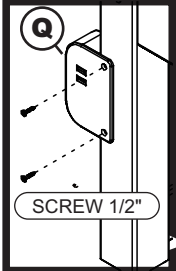
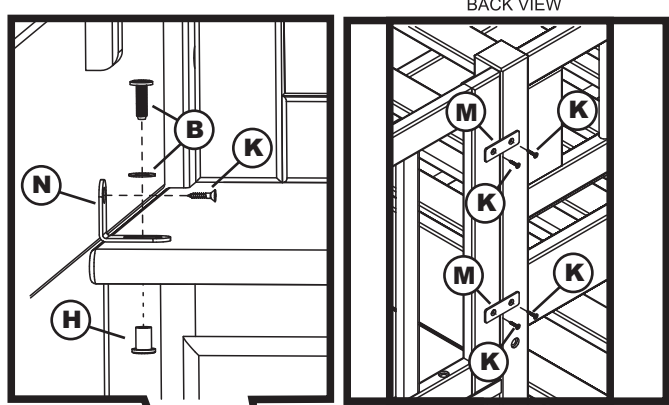
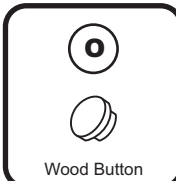
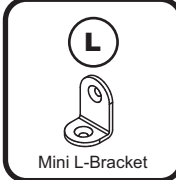
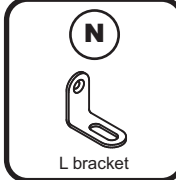
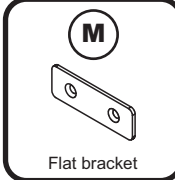
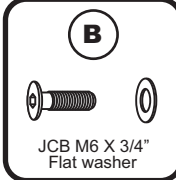
Attach special block full (19) as shown below. Using wood dowels (I) and Allen screw M6 X 2" (C). Tighten with Allen wrench (P).

Note: Using special block twin (18) for lower panel twin size.



STEP 19

Move the bunk bed and staircase assemblies where you want to place them in the room. Attach staircase assembly to the bunk bed assembly as shown below. Using mini L bracket (L), wood screw D6 X 5/8" (K). Using flat bracket (M), wood screw D6 X 5/8" (K). Using L-Bracket (N), JCB M6 X 3/4"+ washer (B) and wood screw D6 X 5/8" (K). Tighten with Allen wrench (P) and Phillips head screwdriver. (Customer supplied). Cover holes with wood buttons (O)(Twin Full, Full Full). Lastly, Install USB charger (Q) to the location as shown below. Using 1/2" screws and tighten with Phillips head screw driver. (Customer supplied).



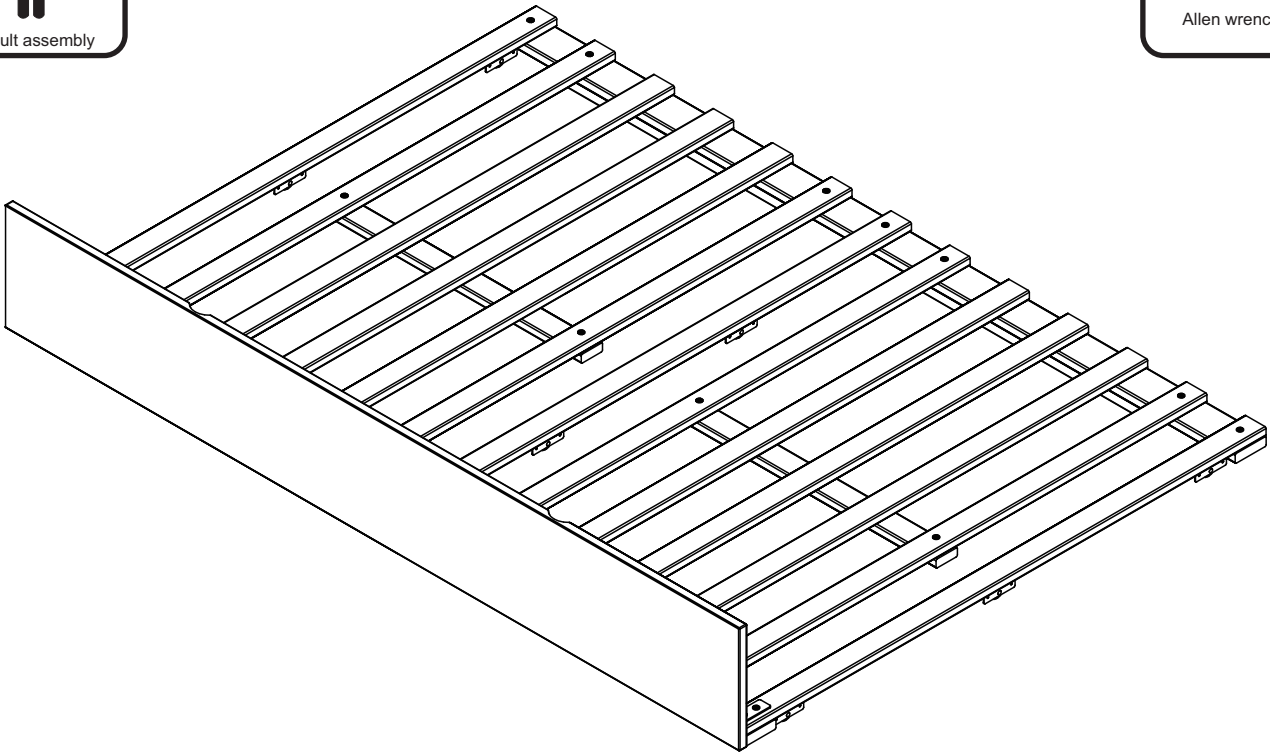
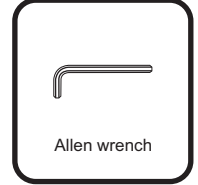
Congratulations! TWIN OVER FULL SHOWN

Your staircase bunk bed is now ready for use. We recommend that you double check that all screws are tight, and that all parts are secure before use and periodically check that all screws are tight to ensure lasting safety.

ASSEMBLY INSTRUCTIONS FULL

Before assembling your Trundle bed, please read through these instructions carefully. Familiarize yourself with the different parts.

ATTENTION! If you receive a damaged or defective item, please contact afifurnishings at customerservice@afifurnishings.com or 1-800-955-3726

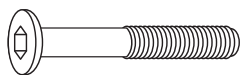


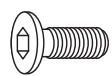
CODE	ITEM
ST-TD-UBN	E-6713X

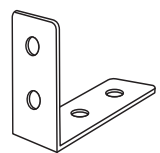
PO :


HARDWARE

NOTE: WE INCLUDE SPARE HARDWARE IN CASE DAMAGE OCCURS DURING ASSEMBLY.

A  JCB M6 X 1 5/8" (40mm) - 21 pcs
Spare - 1 pc

B  JCB M6 X 5/8" (15mm) - 6 pcs
Spare - 1 pc
Fix L bracket to front panel

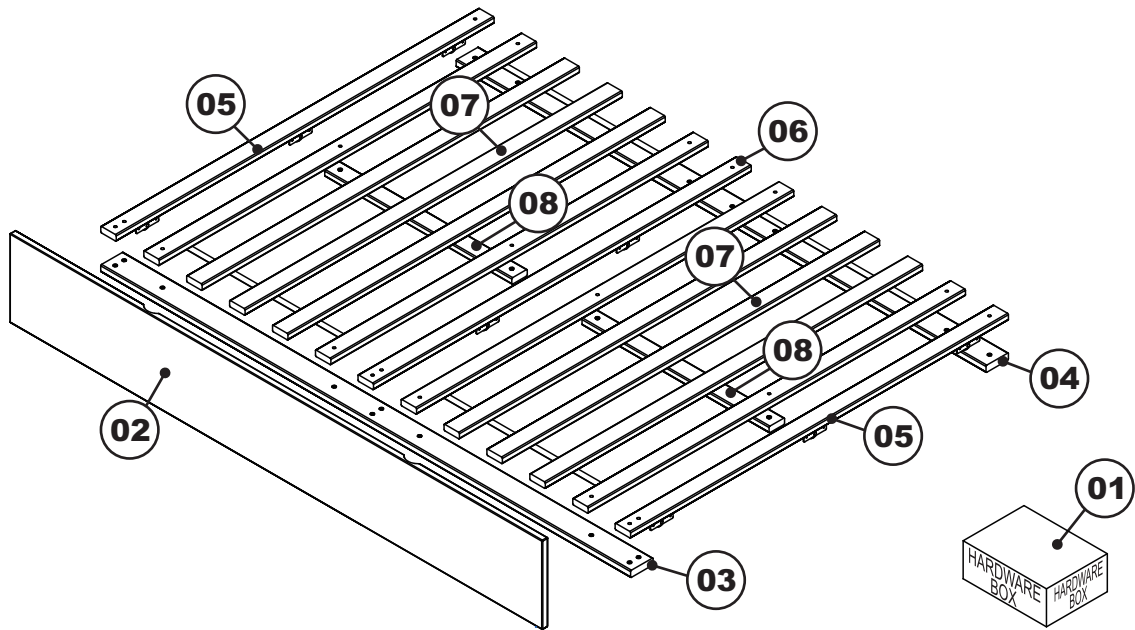
C  L Bracket - 3 pcs

D  Allen wrench - 1 pc
Spare - 1 pc

FULL

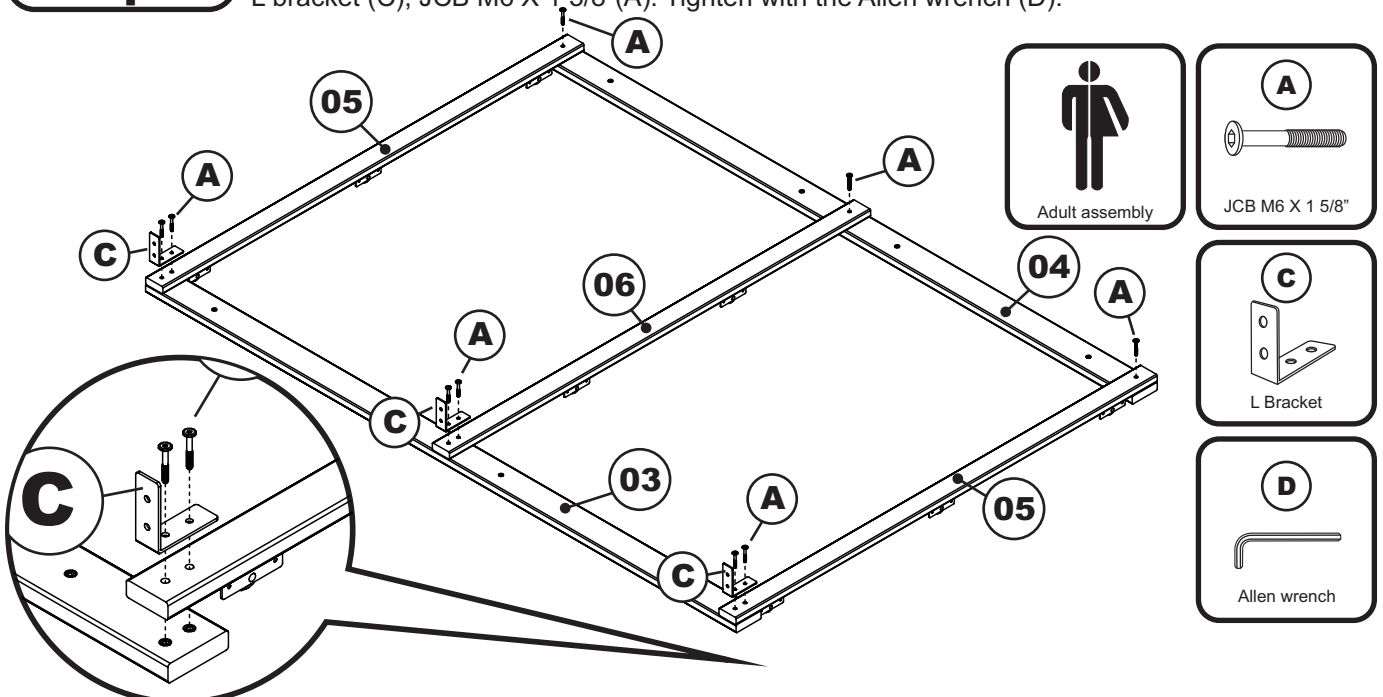
PARTS LIST

01	HARDWARE	1 BOX	05	SIDE CROSS RAIL	2 PCS
02	FRONT PANEL	1 PC	06	CENTER CROSS RAIL	1 PC
03	FRONT RAIL	1 PC	07	SLAT KIT	2 SET
04	BACK RAIL	1 PC	08	CENTER SLAT SUPPORT	2 PCS



Step 1

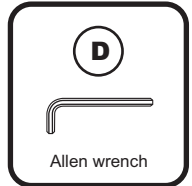
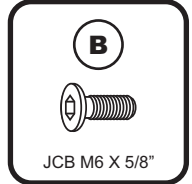
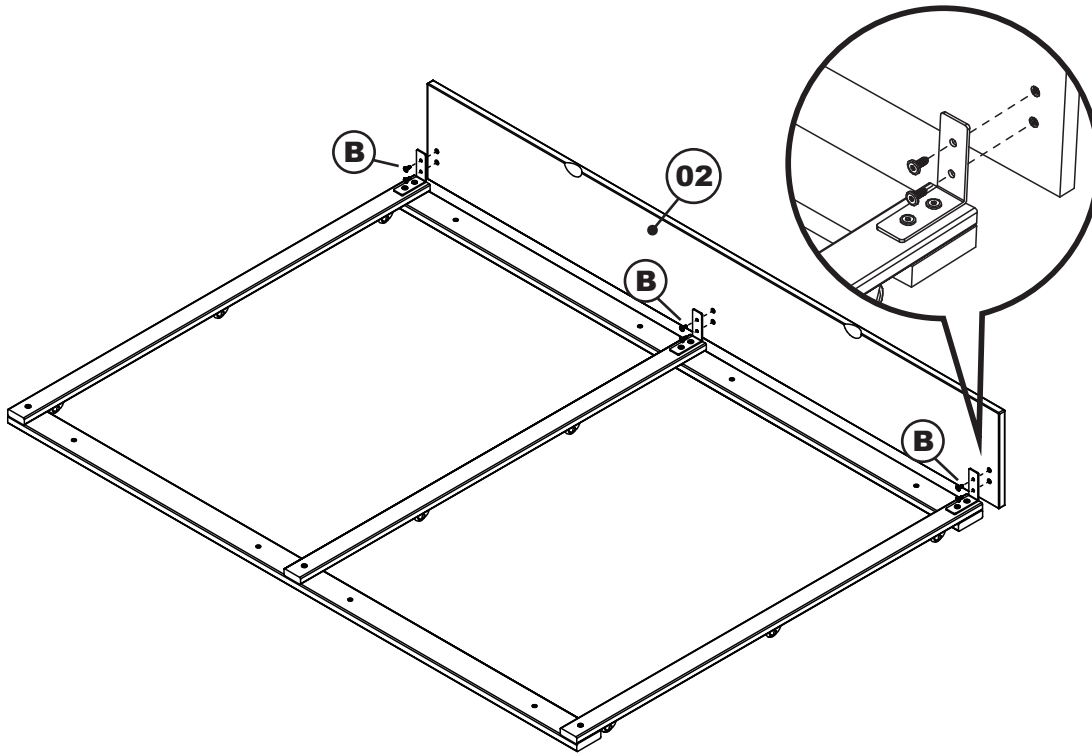
Attach the side cross rails (05) and center cross rail (06) to the front and back rail (03)(04), using L bracket (C), JCB M6 X 1 5/8"(A). Tighten with the Allen wrench (D).



FULL

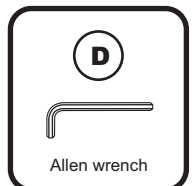
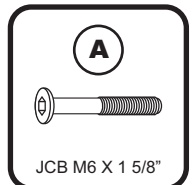
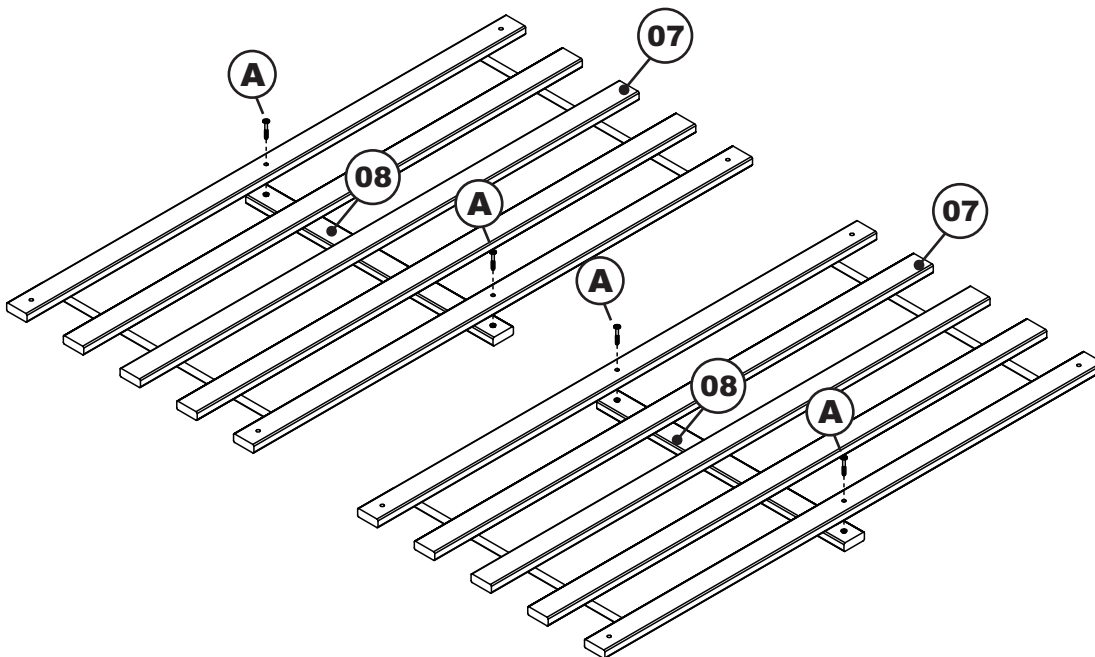
Step 2

Attach the front panel (02) to the front rail as shown, using JCB M6 X 5/8" (B). Tighten with the Allen wrench (D).



Step 3

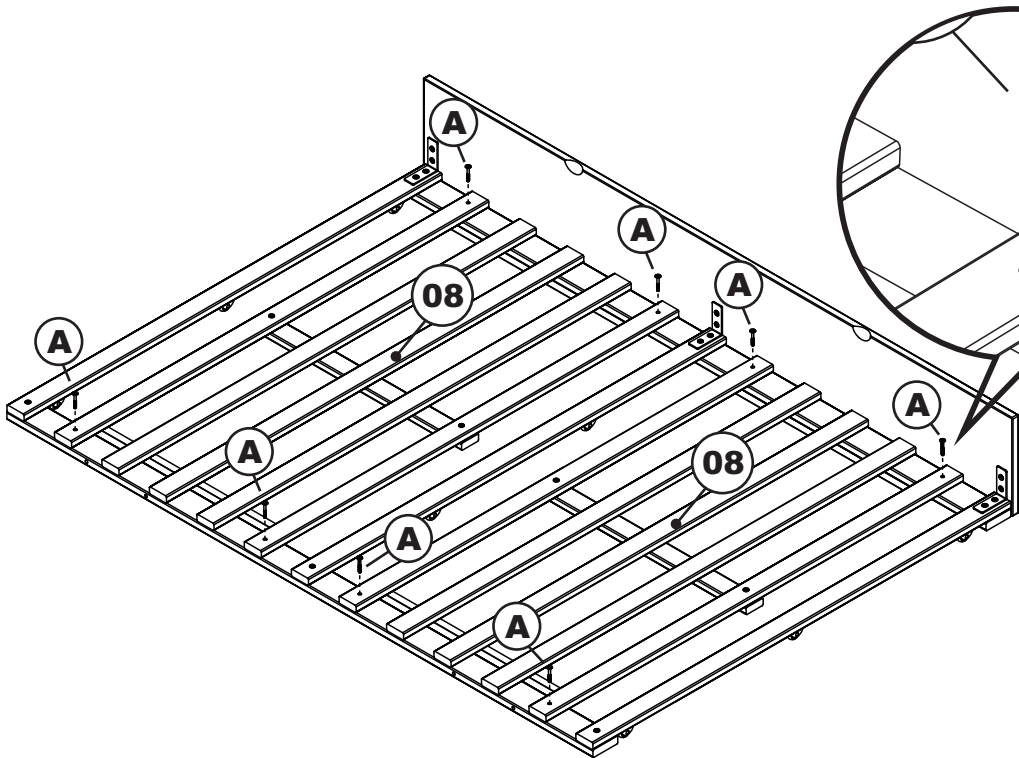
Attached center slat support(08) to the slat kit (07) as shown, using JCB M6 X 1 5/8" (A). Tighten with the Allen wrench (D).



FULL

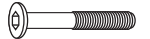
Step 4

Lay the slat kit (07) onto the rail assembly as shown, using JCB M6 X 1 5/8" (A). Tighten with the Allen wrench (D).



Adult assembly

A

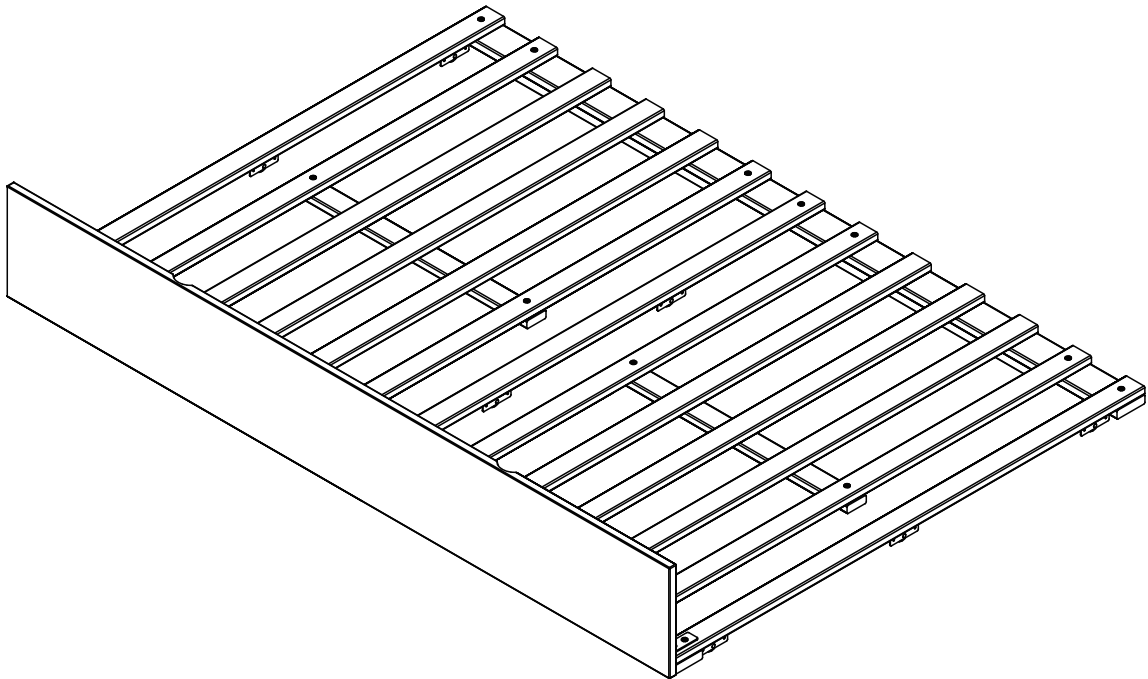


JCB M6 X 1 5/8"

D



Allen wrench



Congratulations!

Your Trundle bed is now ready for use.

We recommend that you periodically check that all screws are tight and all parts are secure to ensure lasting safety.