



atlanticfurniture.com

# MONROE MURPHY BED WITH CHARGING STATION

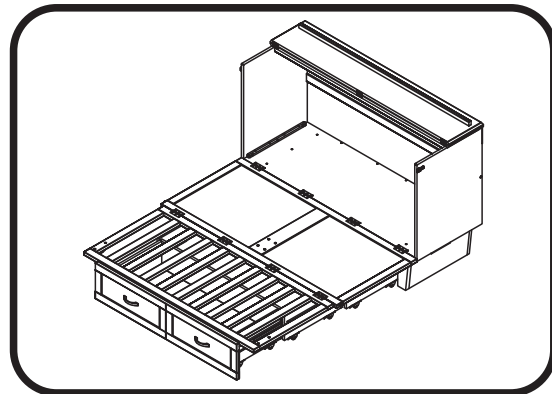
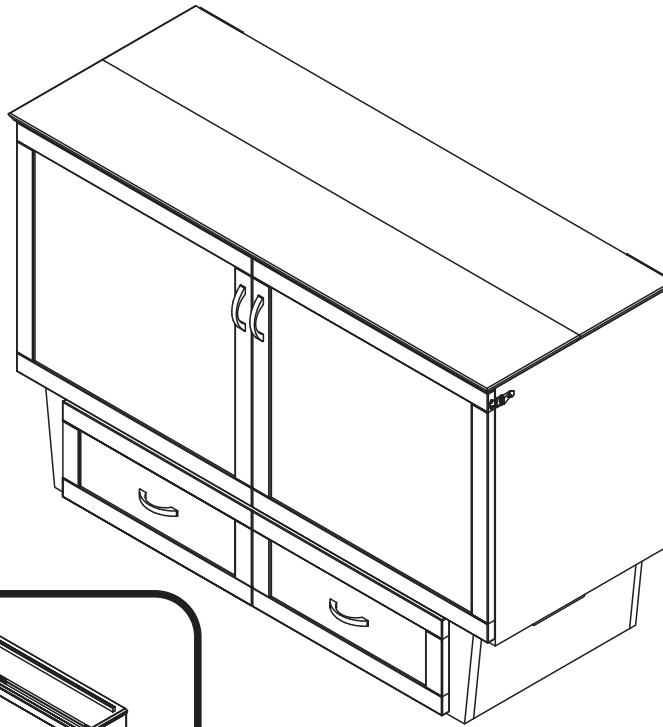
# ATLANTIC

## QUEEN

### ASSEMBLY INSTRUCTIONS

Before assembling your Murphy bed, please read through these instructions carefully and familiarize yourself with the different parts.

**ATTENTION!** If you receive a damaged or defective item, please contact Atlantic Furniture at customerservice@atlanticfurniture.com or 1-800-955-3726



PO :

### HARDWARE

NOTE: WE INCLUDE SPARE HARDWARE IN CASE DAMAGE OCCURS DURING ASSEMBLY.

- A** Wood dowel - 10 pcs  
Spare - 1 pc
- B** JCB M6 X 25mm - 10 pcs  
Spare - 1 pc
- C** Wood screw 5/8" - 12 pcs  
Spare - 1 pc
- D** JCB M6 X 60mm - 2 pcs
- E** Barrel Nut - 2 pcs
- F** Metal pull - 6 pcs
- G** Metal pull screw 25mm - 8 pcs  
Spare - 1 pc
- H** Metal pull screw 40mm - 4 pcs  
Spare - 1 pc
- I** Washer - 24pcs  
Spare - 1 pc  
Adjust quantity as needed.
- J** Triangle Bracket - 2 pcs
- K** Wood screw 1" - 8 pcs  
Spare - 1 pc
- L** Allen wrench - 1 pc  
Spare - 1 pc



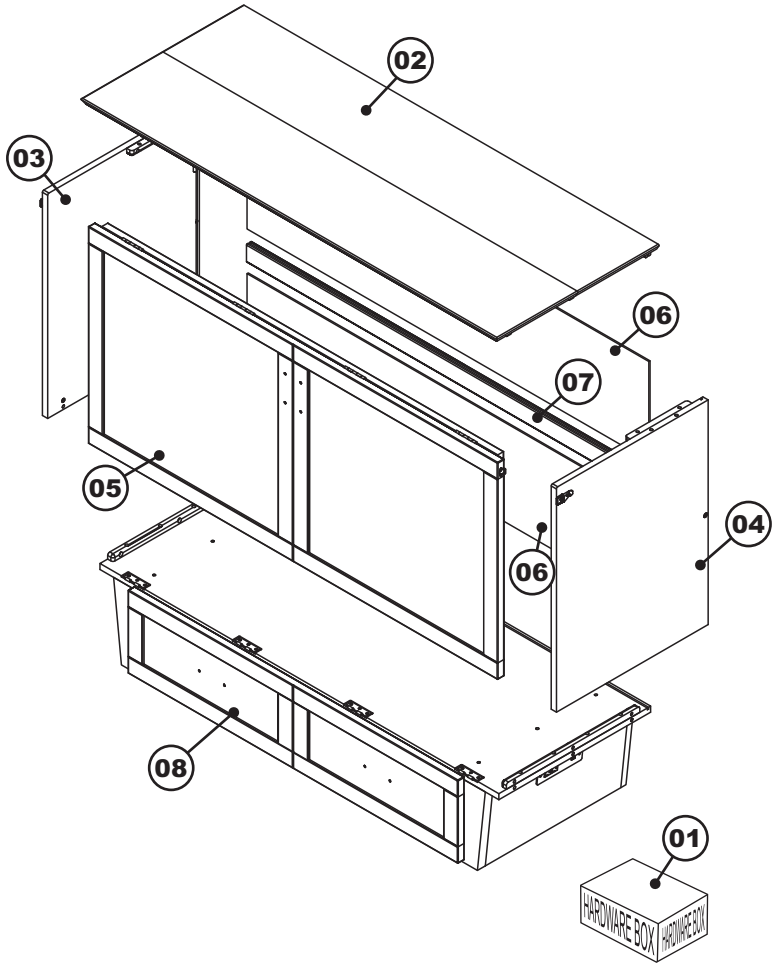
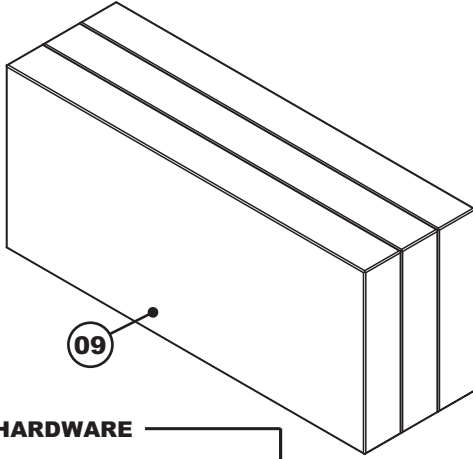
atlanticfurniture.com

# MONROE MURPHY BED WITH CHARGING STATION

## ATLANTIC

### QUEEN

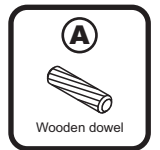
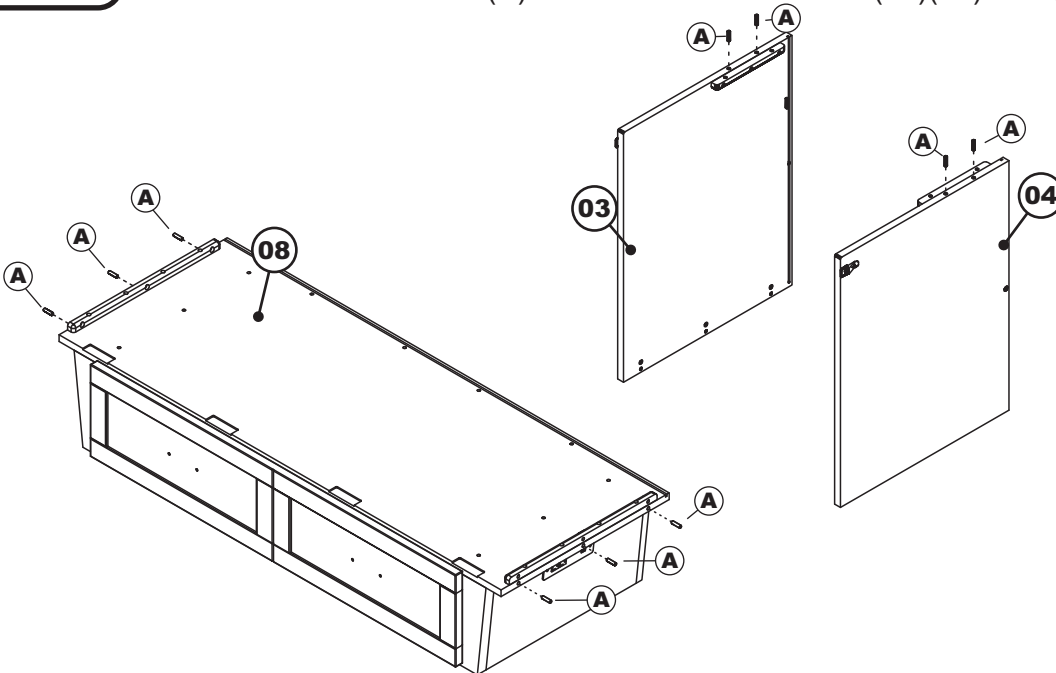
## PARTS LIST



- 01** HARDWARE
  - 02** TOP PANEL
  - 03** LEFT SIDE PANEL
  - 04** RIGHT SIDE PANEL
  - 05** DOOR
  - 06** BACK PANEL
  - 07** MIDDLE BACK RAIL
  - 08** DRAWER BASE
  - 09** FOLDING MATTRESS
- 1 BOX
- 1 BOX
- 1 BOX

### STEP 1

Insert all wooden dowels (A) into the locator holes on (03)(04) and (08) as shown below.





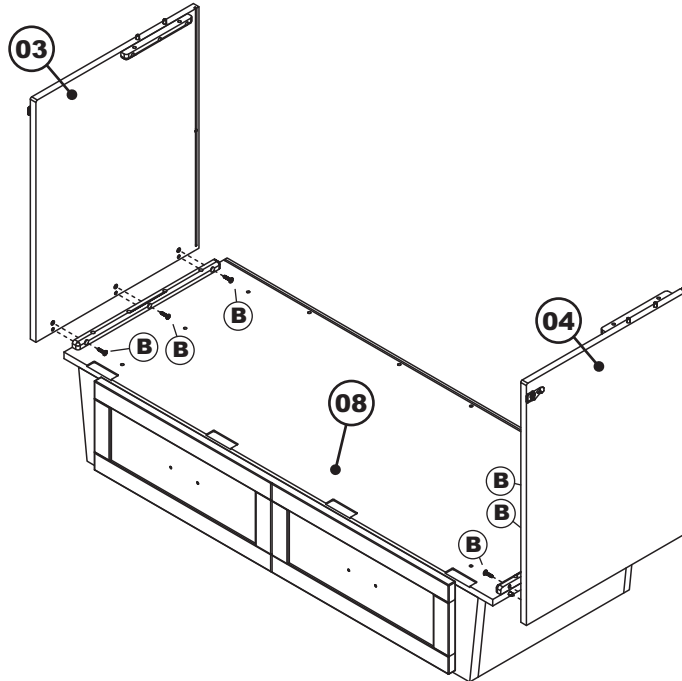
atlanticfurniture.com

# MONROE MURPHY BED WITH CHARGING STATION QUEEN

ATLANTIC

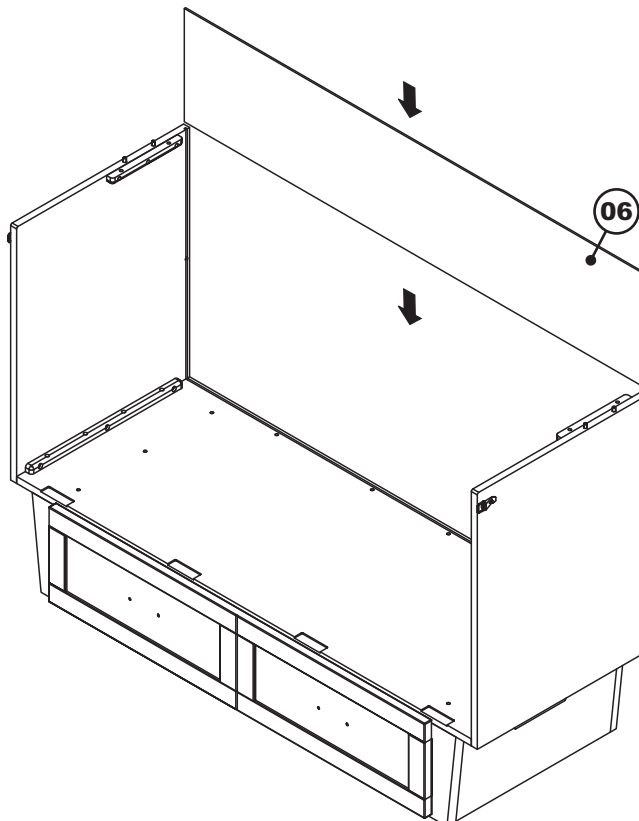
## STEP 2

Attach left and right side panels (03) and (04) to the drawer base (08) as shown below. Using JCB (B) tighten with Allen wrench (L)



## STEP 3

Guide the back panel (06) in carefully so that it won't jump out of its grooves. Be sure it fits fully into its groove at the top panel base.





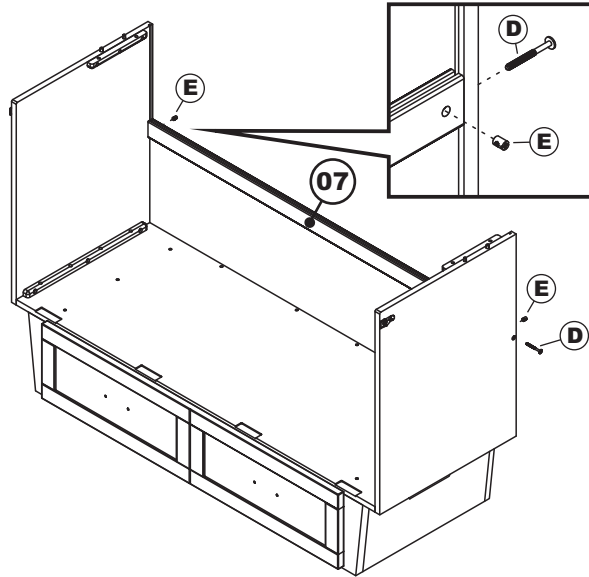
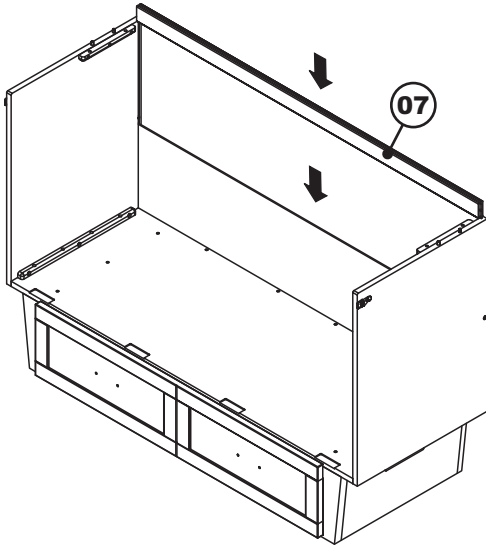
atlanticfurniture.com

# MONROE MURPHY BED WITH CHARGING STATION QUEEN

ATLANTIC

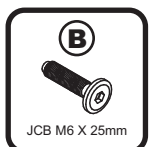
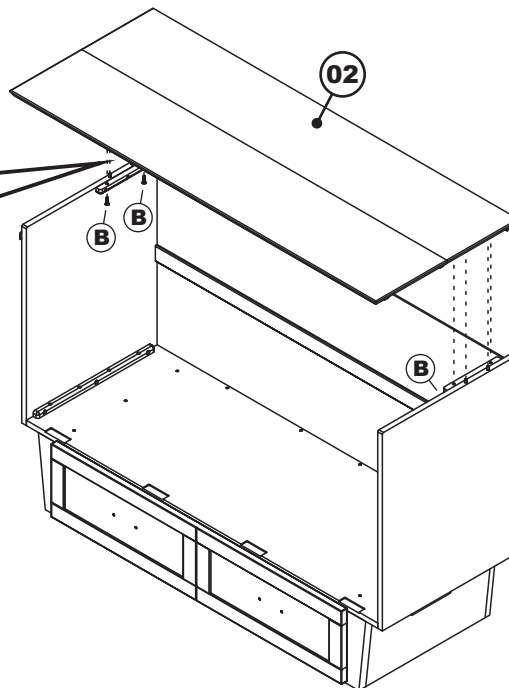
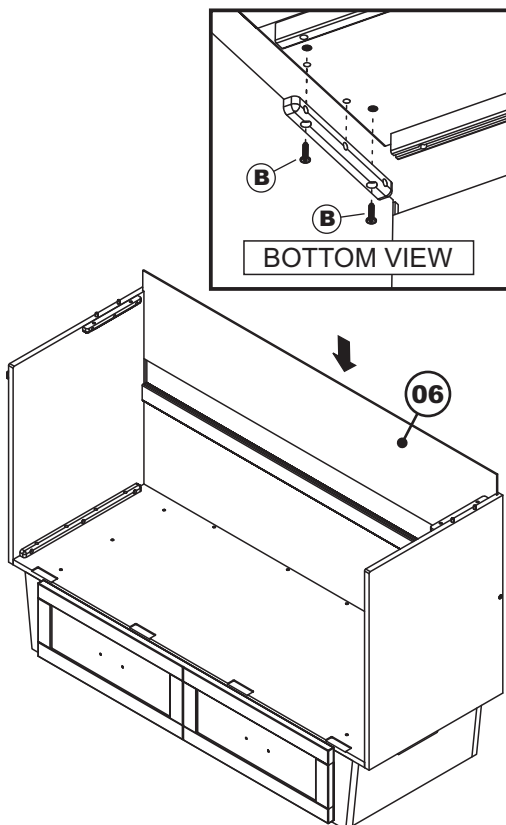
## STEP 4

Guide the middle back rail (07) in carefully so that it won't jump out of its grooves. Using JCB (D) and barrel nut (E). Tighten with Allen wrench (L).



## STEP 5

Guide the back panel (06) in carefully so that it won't jump out of its grooves. Be sure it fits fully into its groove at the middle back rail. Attach top panel (02) to cabinet assembly as shown below. Use JCB (B). Tighten with Allen wrench (L).





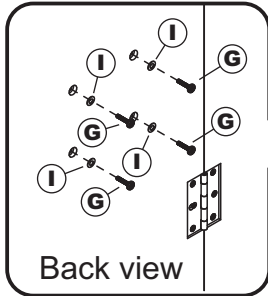
atlanticfurniture.com

# MONROE MURPHY BED WITH CHARGING STATION QUEEN

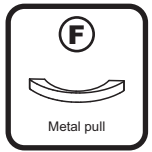
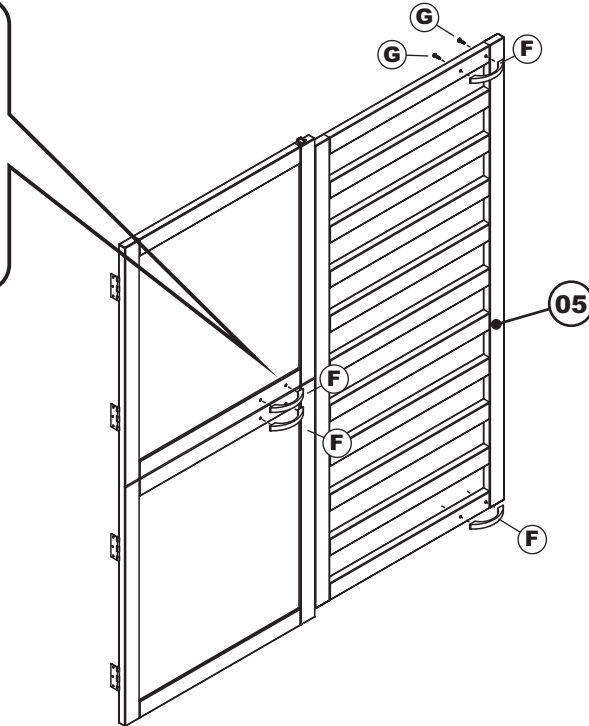
## ATLANTIC

### STEP 6

Install metal pull (F) to the locator holes on (05) as shown below. Using metal pull screw (G) and washers (I) tighten with Phillips screwdriver (customer supplied).

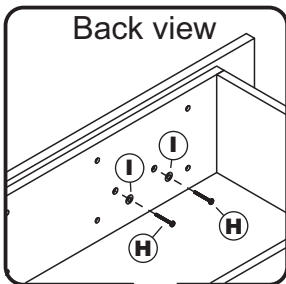


Back view

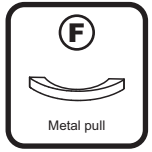
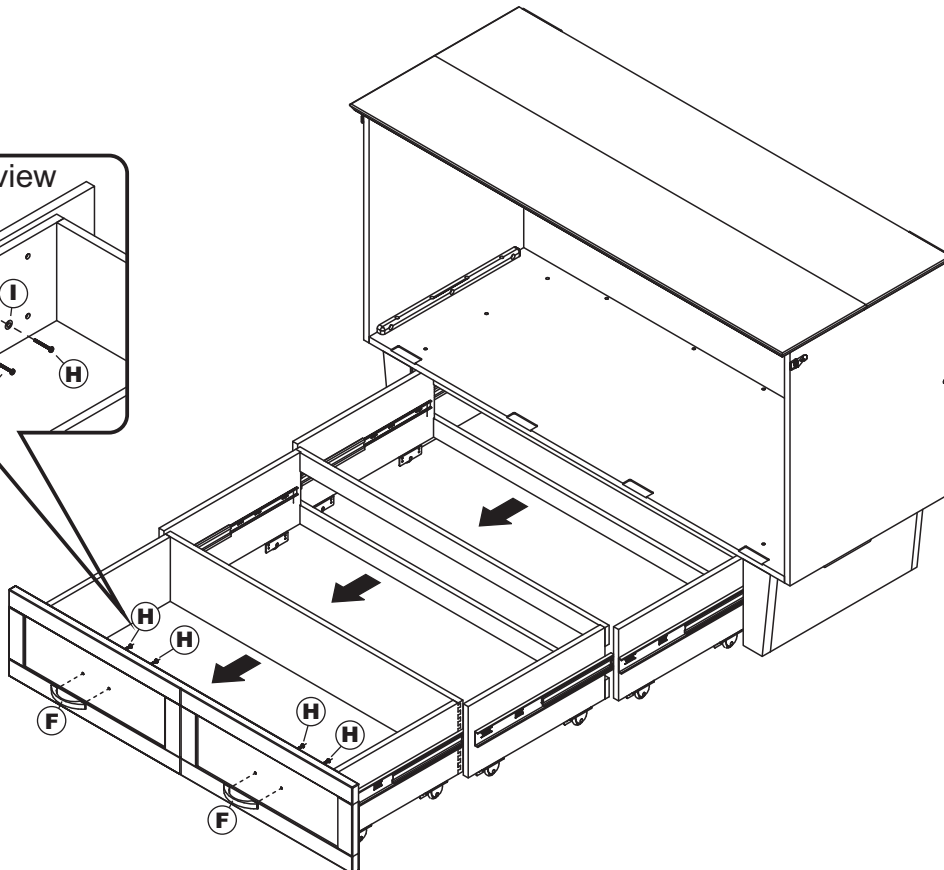


### STEP 7

Pull out drawer base as shown below. Install metal pull (F) Using metal pull screw (H), and washers (I). Tighten with Phillips screwdriver (customer supplied).



Back view





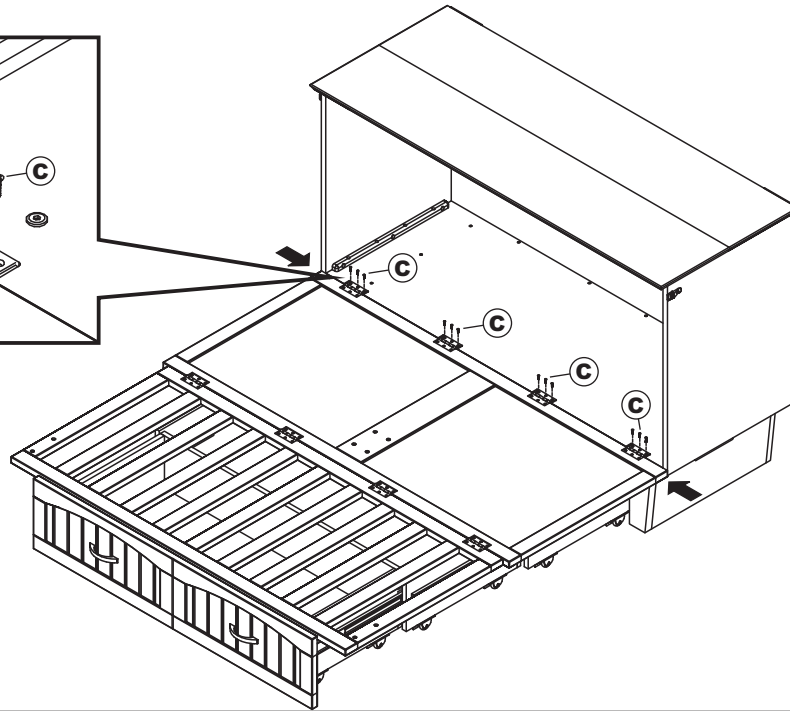
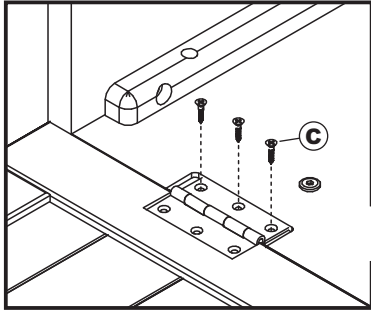
atlanticfurniture.com

# MONROE MURPHY BED WITH CHARGING STATION QUEEN

ATLANTIC

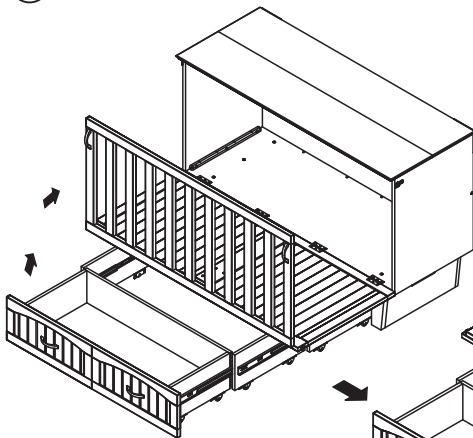
## STEP 8

Lay the door down flat as shown below. Attach door hinge to drawer base using wood screw (C) and tighten with Phillips screwdriver (customer supplied).  
Note: Be sure to align door with side panels in this step.

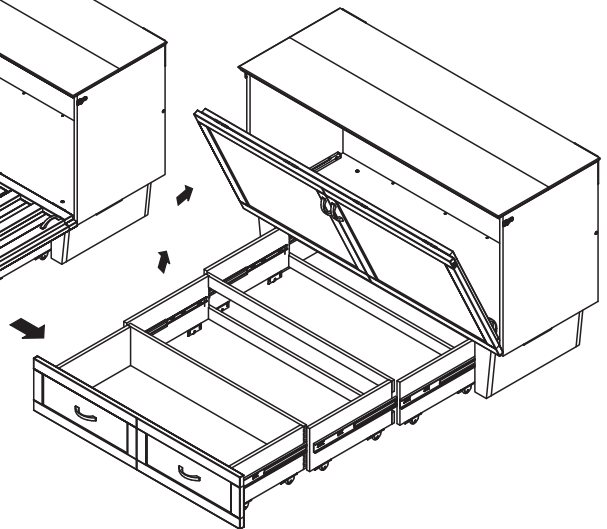
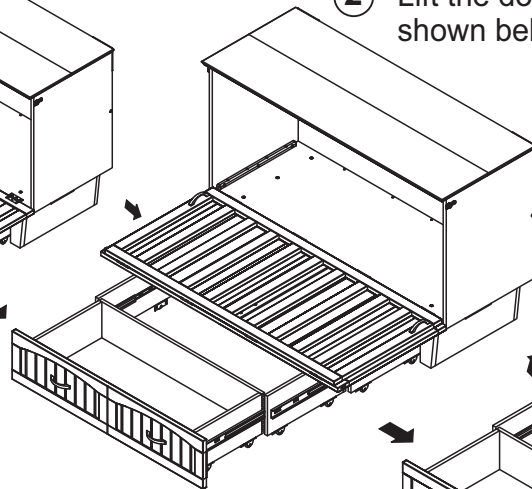


## STEP 9

① Lift the door and fold as shown below.



② Lift the door and latch to side panel as shown below.



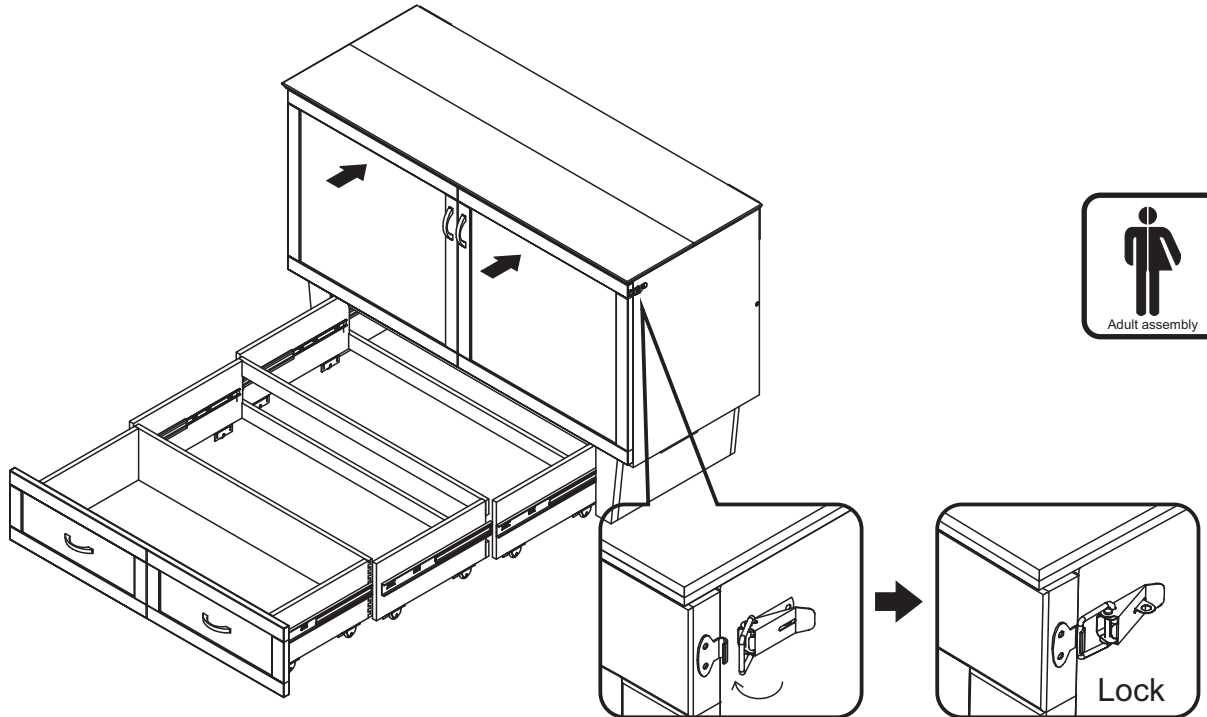


atlanticfurniture.com

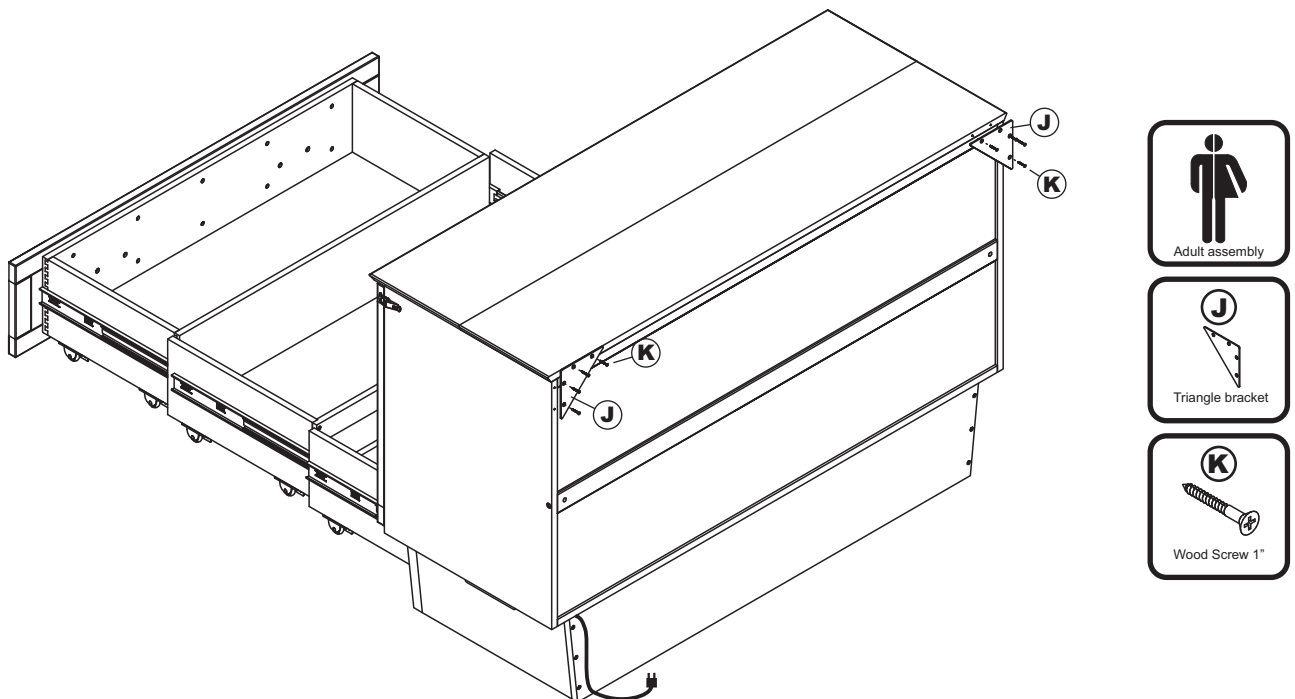
# MONROE MURPHY BED WITH CHARGING STATION QUEEN

ATLANTIC

**STEP 10** Push the door closed and latch both sides as shown below.



**STEP 11** Attach triangle bracket (J) to the back of cabinet as shown below. Use wood screw (K) tighten with Phillips head screwdriver. (customer supplied).



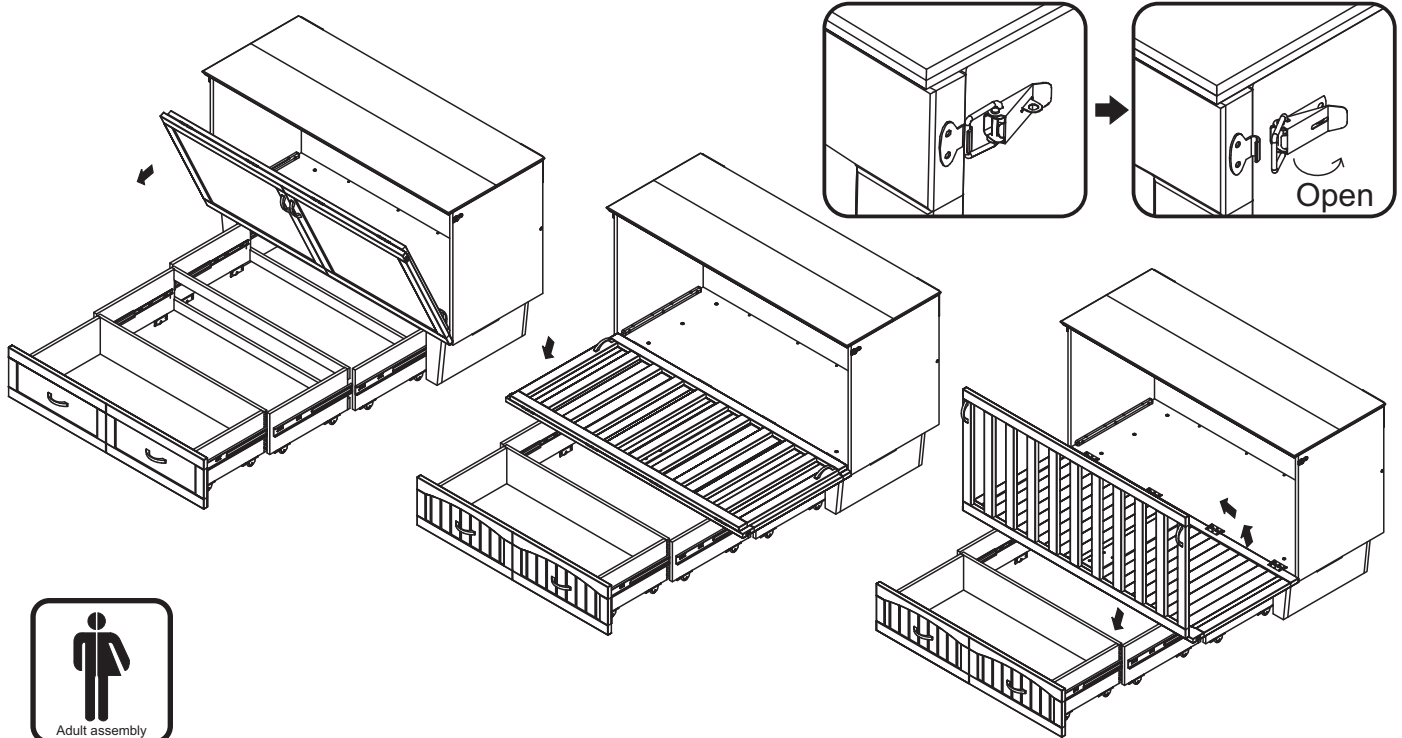


atlanticfurniture.com

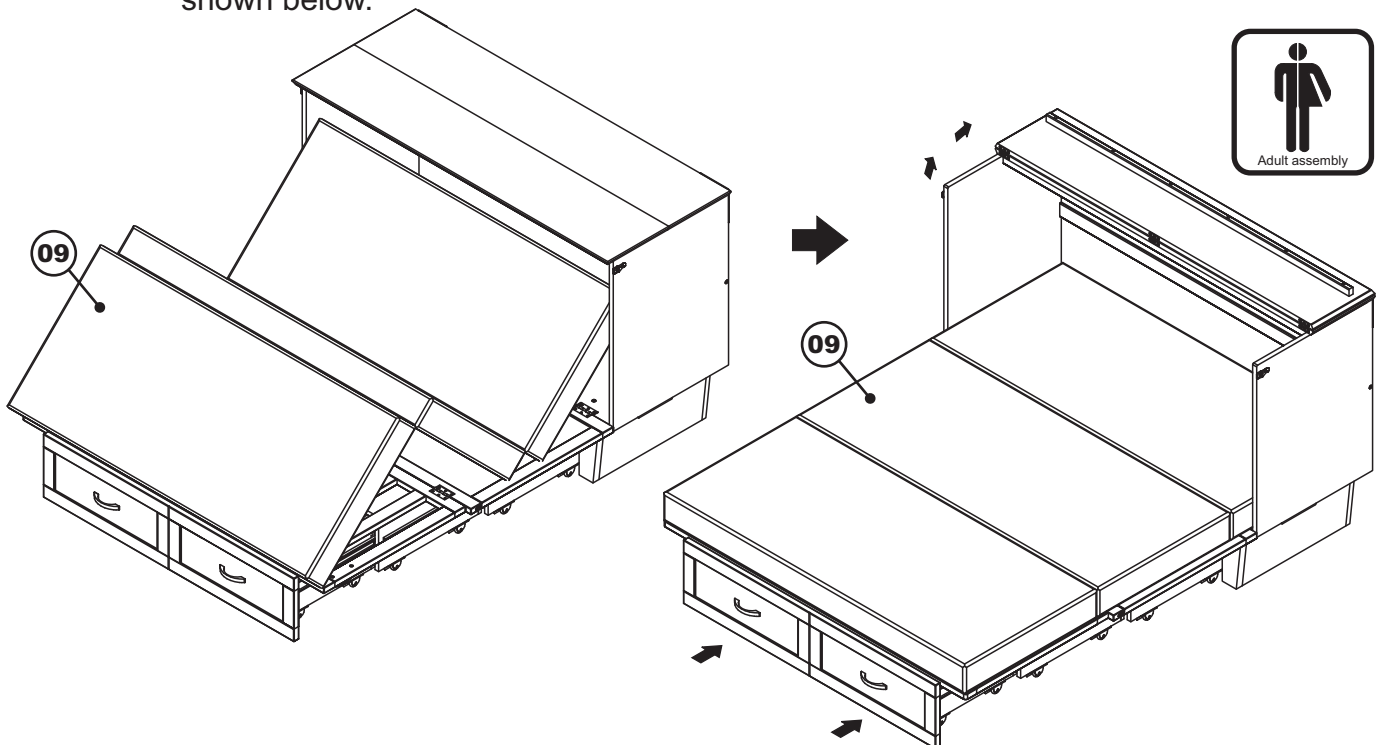
# MONROE MURPHY BED WITH CHARGING STATION QUEEN

ATLANTIC

**STEP 12** Pull the drawer out fully. Unlatch the door and open, folding down as shown.



**STEP 13** Install folding mattress (09) to the bed. Open top panel and push drawer base in as shown below.



## Congratulations!

Your Murphy bed is now ready for use.

We recommend that you recheck that all screws are tight, and that all parts are secure before use to ensure lasting Safety.