

Size of Mattress and Foundation

The length and width of the upper and lower bunk mattress and foundation are as follows :

<u>Size</u>	<u>Length</u>	<u>Width</u>	<u>Thickness</u>
Twin	74" - 75"	37 ½" - 38 ½"	9 ½" max
Full	74" - 75"	52" - 53"	9 ½" max

You must use only this size mattress.

Ensure thickness of upper and lower mattress and foundation combined does not exceed 9 ½" and that the mattress is at least 5" below upper edge of guardrails.

This Bunk Bed uses a slat kit for mattress foundation.

Replacement Parts

Replacement parts, including additional guardrails, may be obtained from any affurnishings dealer



SAFETY WARNINGS



- (1) Follow the information on the warnings appearing on the upper bunk end structure and on the carton. Do not remove warning label from bed.
- (2) Always use the recommended size mattresses or mattress support, or both, to help prevent the likelihood of entrapment or falls.
- (3) Surface of mattress must be at least 5 in. (127mm) below the upper edge of guardrails.
- (4) Do not allow children under 6 years of age to use the upper bunk.
- (5) Periodically check and ensure that the guardrail, ladder, and other component are in their proper position, free from damage, and that all connectors are tight.
- (6) Do not allow horseplay on or under the bed and prohibit jumping on the bed.
- (7) Always use ladder for entering or leaving upper bunk.
- (8) Do not use substitute parts. Contact the manufacturer or dealer for replacement parts.
- (9) Use of a night light may provide added safety precaution for a child using the upper bunk.
- (10) Always use guardrails on both long sides of the upper bunk. If the bunk bed will be placed next to the wall, the guardrail that runs the full length of the bed should be placed against the wall to prevent entrapment between the bed and the wall.
- (11) The use of water or sleep flotation mattresses is prohibited.
- (12) **STRANGULATION HAZARD** : Never attach or hang items to any part of the bunk bed that are not designed for use with the bed; for example, but not limited to, hooks, belts and jump ropes.
- (13) Keep these instructions for future reference.

ASSEMBLY INSTRUCTIONS

TWIN - TWIN

Thank you for choosing our new bunk bed.
This practical design offers the utmost in versatility.

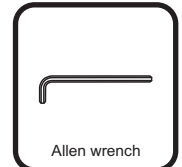
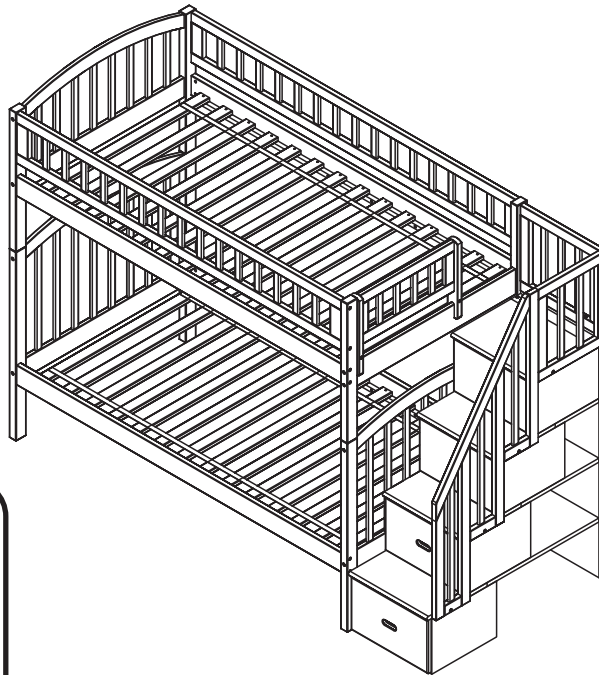
Before assembling your staircase bookshelf bunk bed, please read through these instructions carefully and familiarize yourself with the different parts.

Please note that you will require a Phillips head screwdriver and an Allen wrench.

ATTENTION! If you receive a damaged or defective item, please contact afifurnishings.com at customerservice@afifurnishings.com or 1-800-955-3726



CODE	ITEM
BK-SCDR-WBK	B-6500X
BK-SCBS-WBK	B-6510X
BK-SCPL-WBK	B-6521X
BK-SCGR-WBK	B-6571X



PO :

NOTE: WE INCLUDE SPARE HARDWARE IN CASE DAMAGE OCCURS DURING ASSEMBLY.

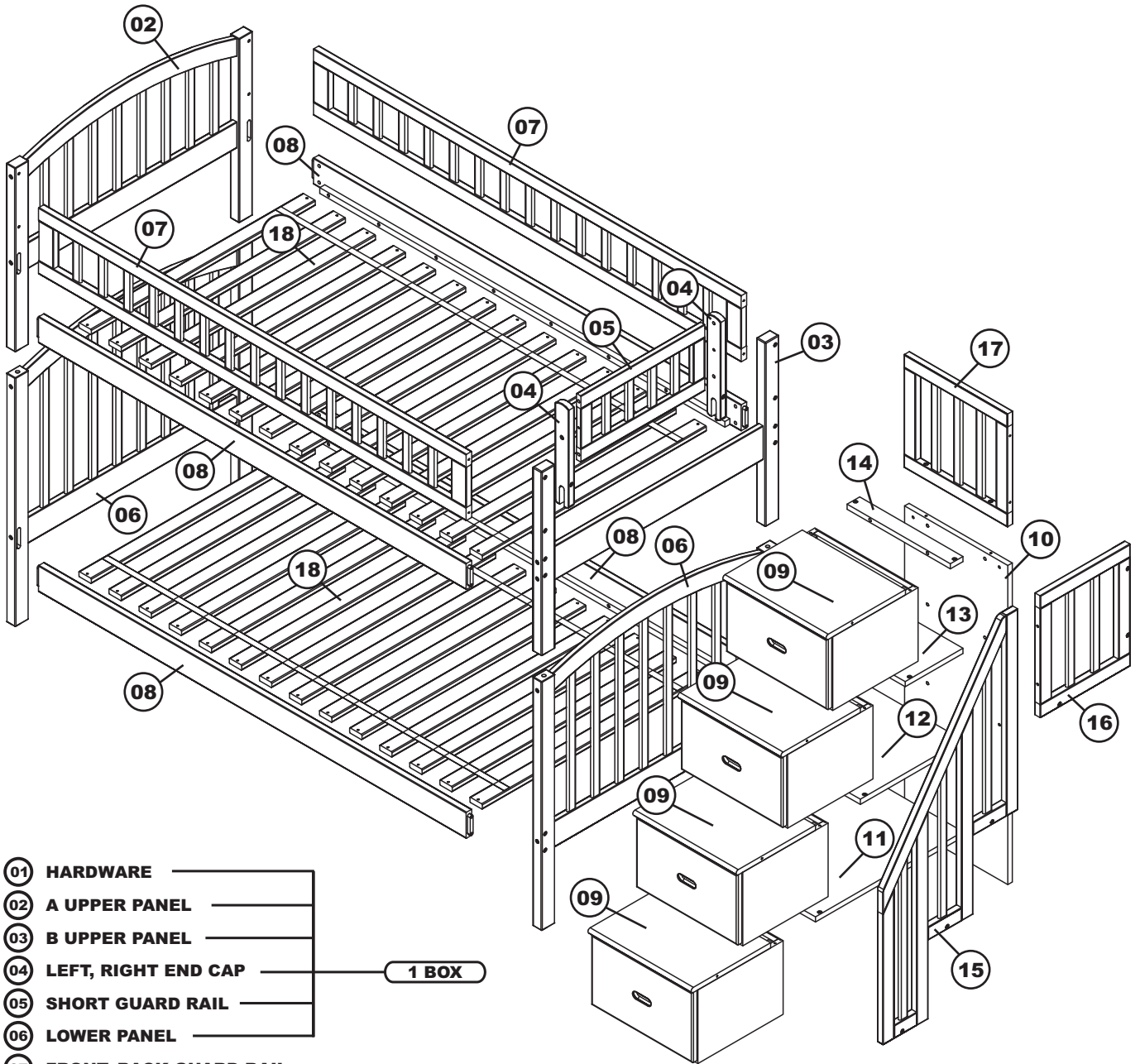
PANEL HARDWARE

- A** JCB M6 X 3 1/8" - 16 pcs
Spare - 2 pcs
- B** Barrel nut - 16 pcs
Spare - 2 pcs
- C** Wooden dowel - 4 pcs
Spare - 1 pc
- E** Allen screw 2" - 2 pcs
Spare - 1 pc
- F** Allen screw 2 3/8" - 8 pcs
Spare - 2 pcs
- H** Metal pins - 4 pcs
- I** Wood screw 1 1/4" - 2 pcs
Spare - 1 pc
- M** Allen wrench - 1 pc
- N** Surface Mount Charger - 1 set
Screws 1/2" - 2 pcs
Spare - 1 pc

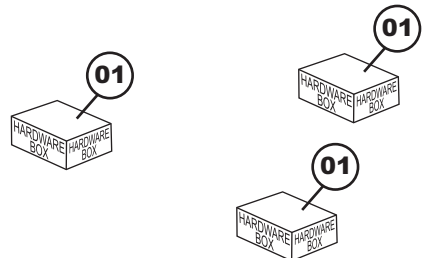
HANDRAIL & BOOKSHELF HARDWARE

- C** Wooden dowel - 16 pcs
Spare - 1 pc
- D** Allen screw 1 5/8" - 16 pcs
Spare - 2 pcs
- E** Allen screw 2" - 6 pcs
Spare - 1 pc
- G** Allen screw 2 3/4" - 4 pcs
Spare - 1 pc
- I** Wood screw 1 1/4" - 3 pcs
Spare - 1 pc
- J** Wood screw 5/8" - 11 pcs
Spare - 2 pcs
- K** L bracket - 4 pcs
- L** Large L bracket - 1 pc
- M** Allen wrench - 1 pc

PARTS LIST



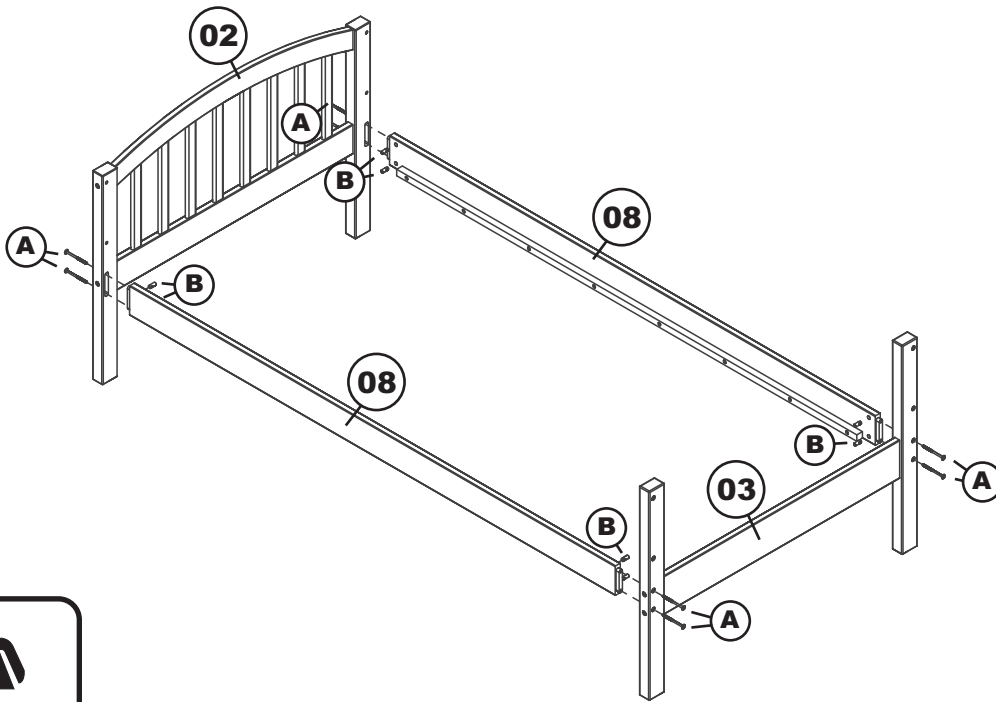
- 01 HARDWARE _____
- 02 A UPPER PANEL _____
- 03 B UPPER PANEL _____
- 04 LEFT, RIGHT END CAP _____ 1 BOX
- 05 SHORT GUARD RAIL _____
- 06 LOWER PANEL _____
- 07 FRONT, BACK GUARD RAIL _____ 1 BOX
- 08 LONG RAILS _____
- 09 DRAWERS _____ 2 BOX
- 01 HARDWARE _____
- 10 BACK PANEL _____
- 11 TOP PANEL 1 _____
- 12 TOP PANEL 2 _____
- 13 TOP PANEL 3 _____ 1 BOX
- 14 TOP PANEL 4 _____
- 15 HAND GUARDRAIL _____
- 16 SIDE SHORT GUARDRAIL _____
- 17 BACK SHORT GUARDRAIL _____
- 01 HARDWARE _____
- 18 TWIN SLAT KIT _____ 2 BOX



TWIN - TWIN

STEP 1

Attach the long rails (08) to the upper panels (02)(03), using JCB M6 X 3 1/8" (A) and barrel nut (B). Tighten with the Allen wrench (M).



A



JCB M6 X 3 1/8"

B



Barrel nut

M



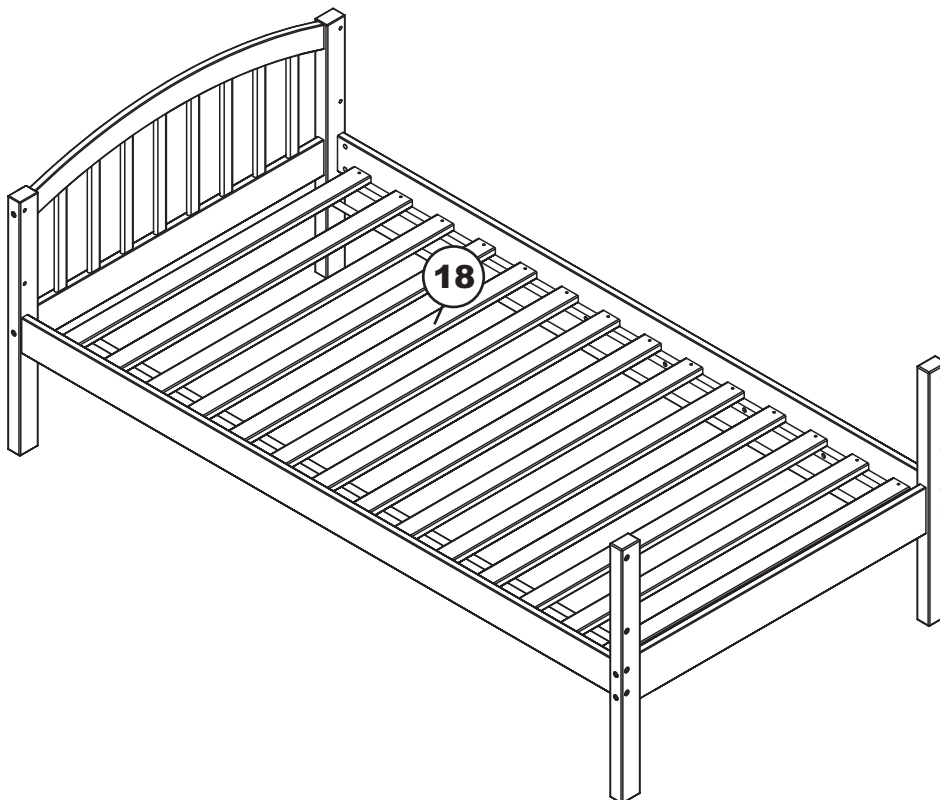
Allen wrench



Adult assembly

STEP 2

Lay the twin slat kit (18) onto the bed. Fix in place using wood screws provided in the slat kit box. FOR SLAT KIT ASSEMBLY follow assembly instructions included with slat kit.



Adult assembly

Customer supplied

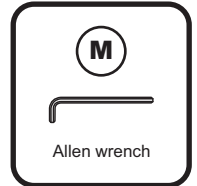
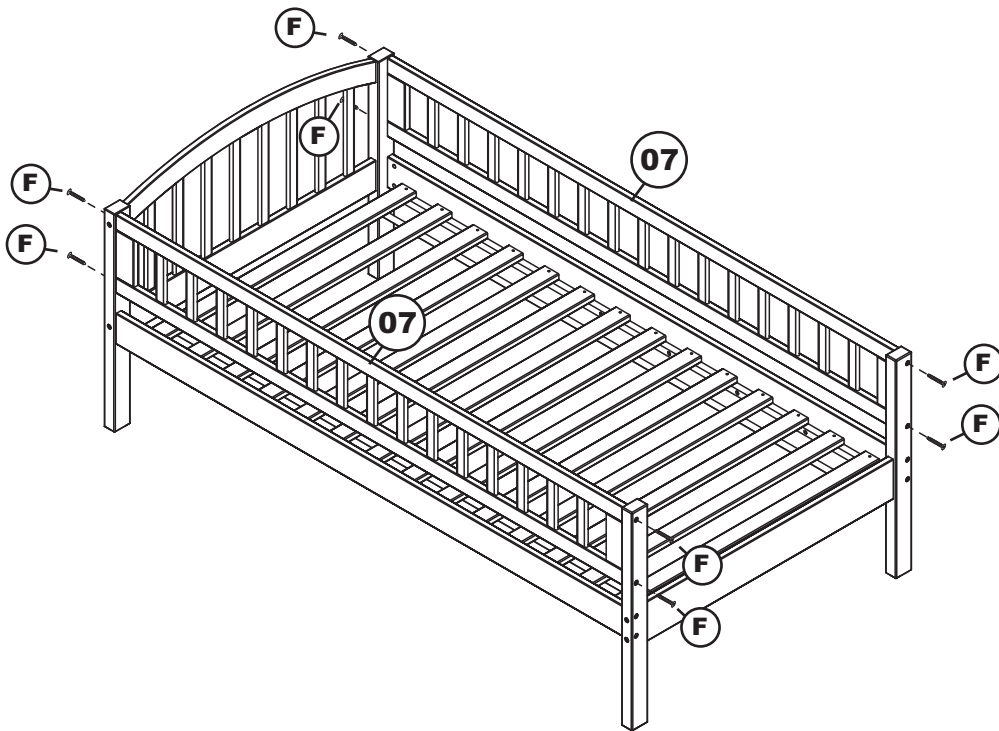


Phillips head
screwdriver

TWIN - TWIN

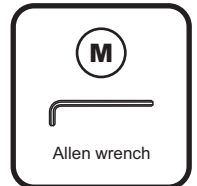
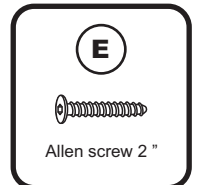
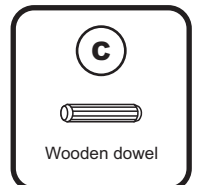
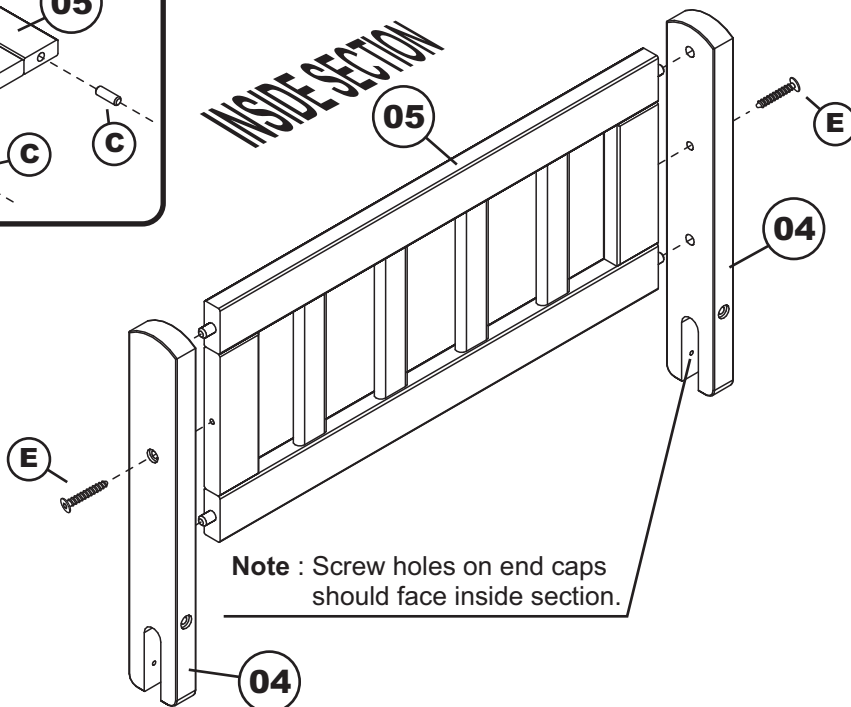
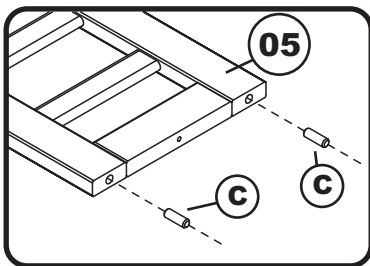
STEP 3

Attach the front, back guard rails (07) to the upper panel assemblies using Allen screw (F). Tighten with the Allen wrench (M).



STEP 4

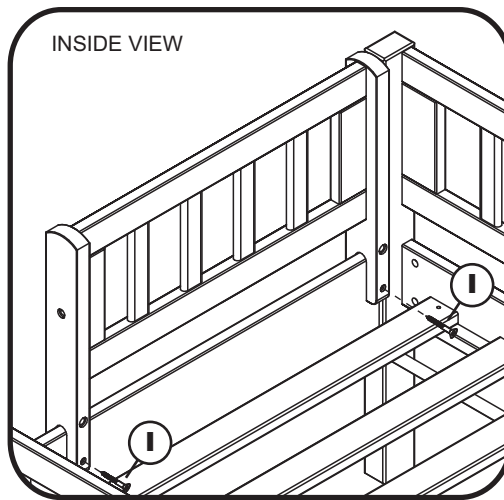
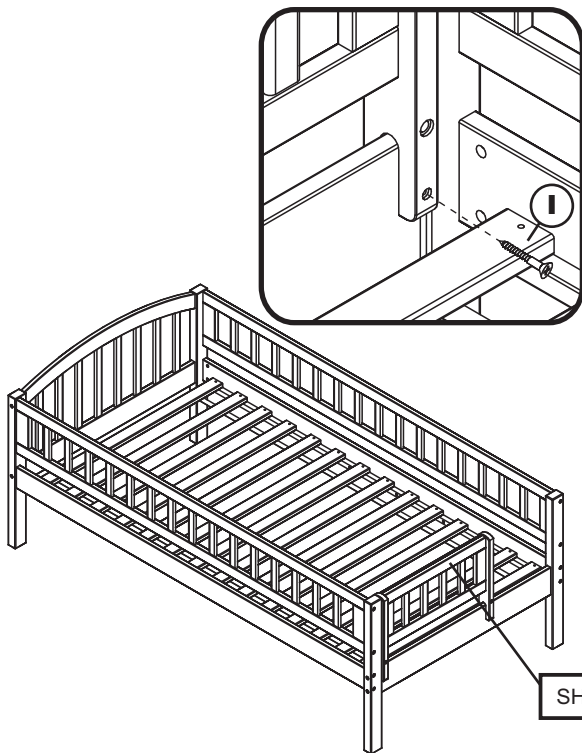
Insert wooden dowel (C) to the locator holes will receive C as shown below. Attach the short guard rail (05) to the left, right end caps (04), using Allen screw (E), Tighten with the Allen wrench (M).



TWIN - TWIN

STEP 5

Attach the short guard rail assemblies to the upper panel assemblies as shown below, using wood screw (I), tighten with the Phillips head screwdriver. (customer supplied)

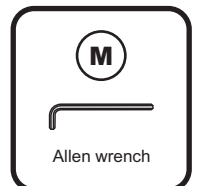
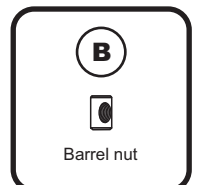
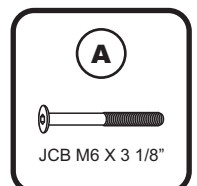
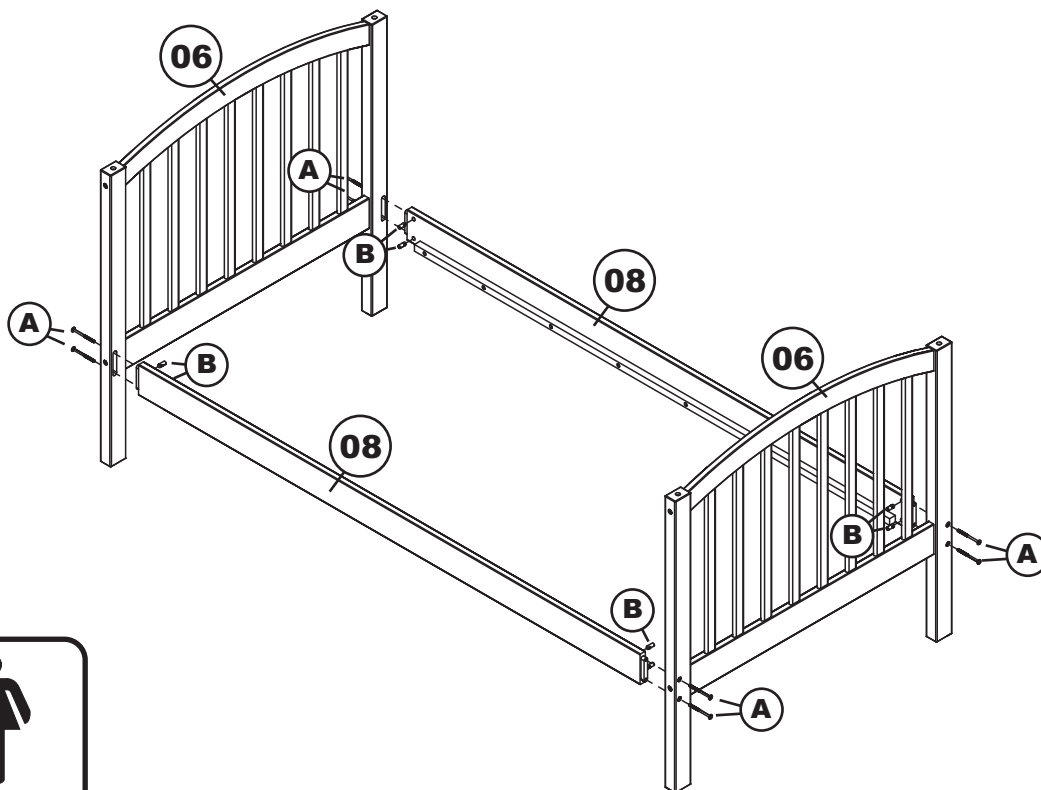


Note : Screw holes on end caps should face inside section.



STEP 6

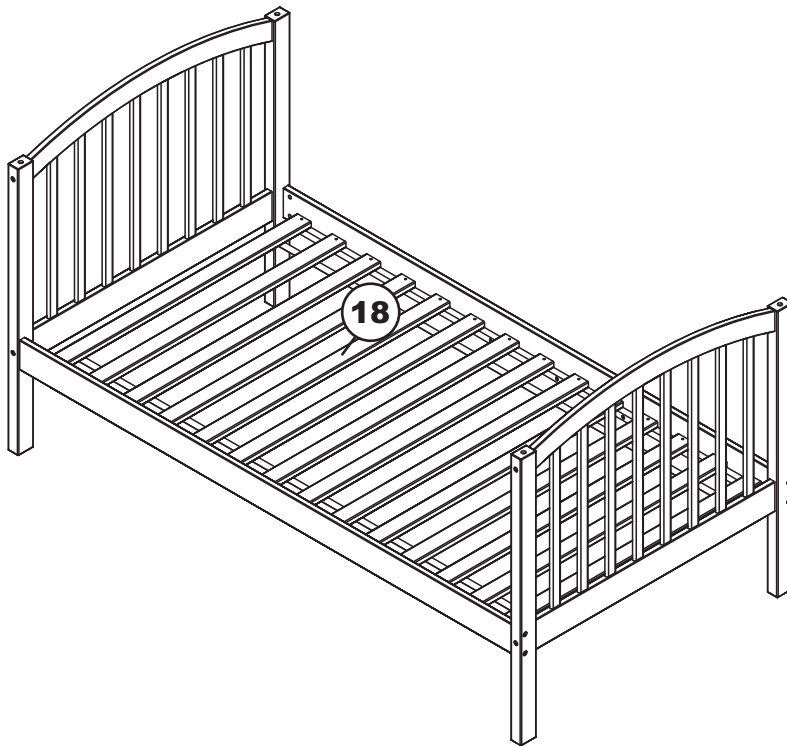
Attach the long rails (08) to the lower panel (06) using JCB M6 X 3 1/2" (A), and barrel nut (B). Tighten with the Allen wrench (M).



TWIN - TWIN

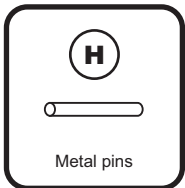
STEP 7

Lay the twin slat kit (18) onto the bed. Fix in place using wood screws provided in the slat kit box. FOR SLAT KIT ASSEMBLY follow assembly instructions included with slat kit.



STEP 8

Insert metal pins (H) into the holes on top of the lower panels. Lift the upper panels onto the lower panels as shown, and fit the metal pins into the holes in the bottom of the upper panel legs.

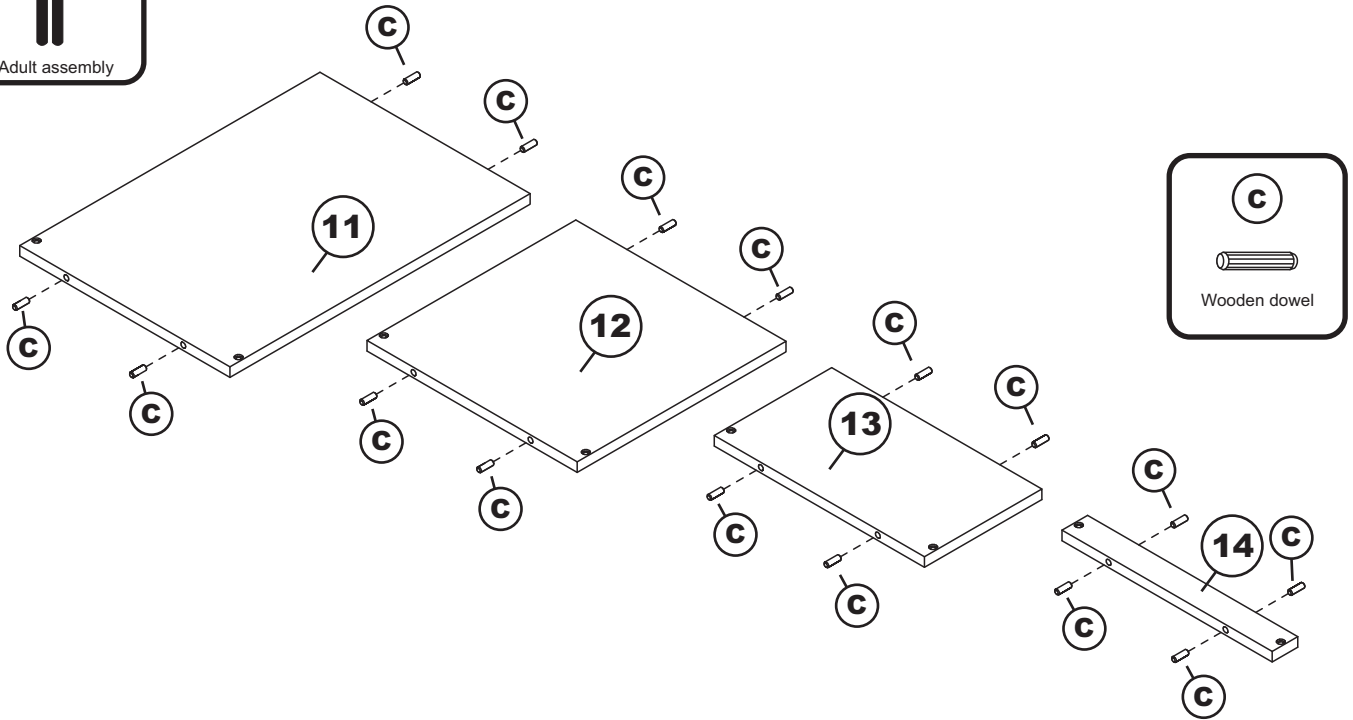


CAUTION
This step requires
two strong people.

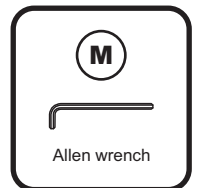
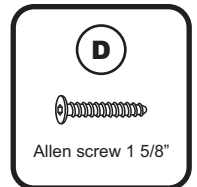
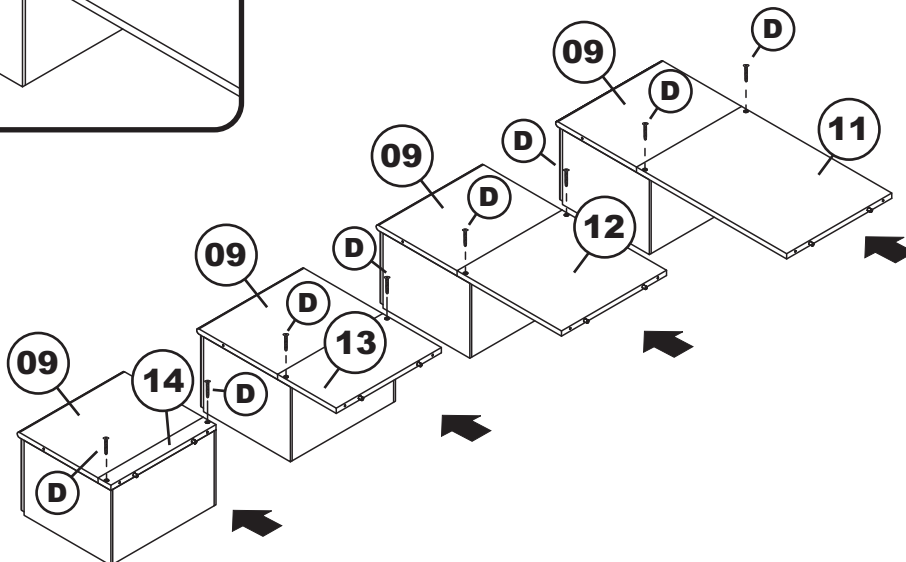
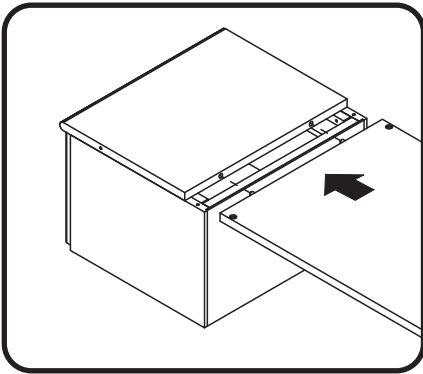


TWIN - TWIN

STEP 9 Insert wooden dowel (C) to the locator holes will receive C as shown below.



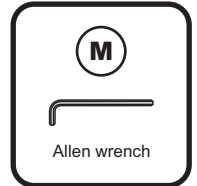
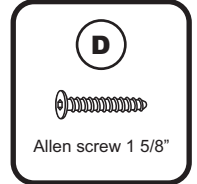
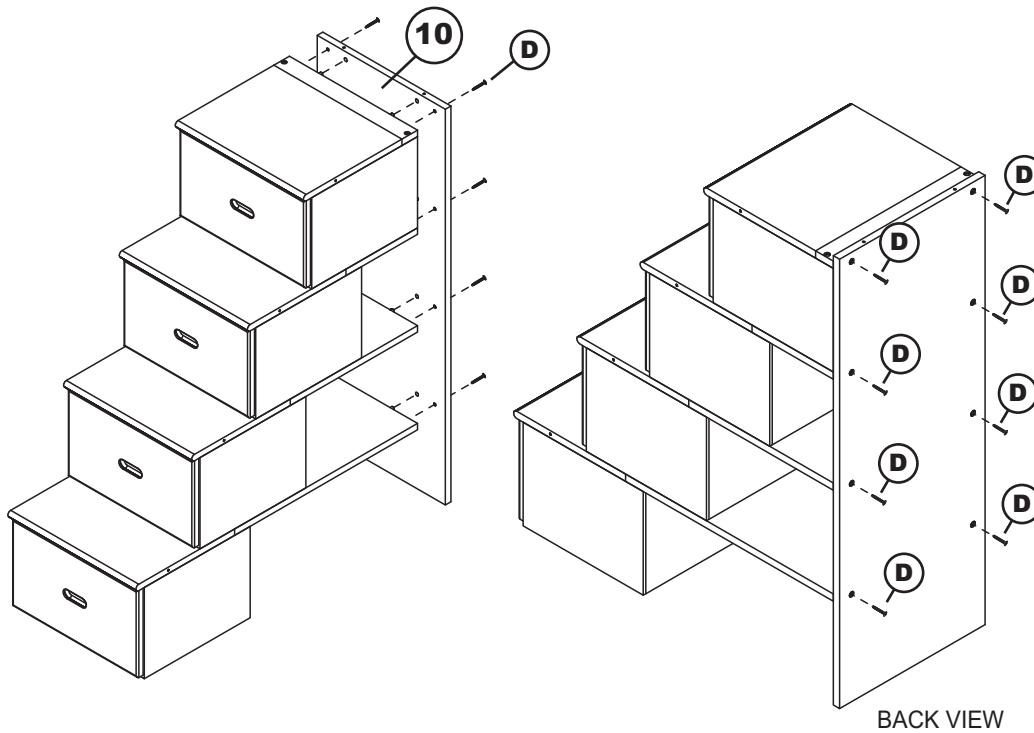
STEP 10 Attach top panels (11)(12)(13)(14) to drawers (09) as shown below. Using allen screw (D). Tighten with allen wrench (M),



TWIN - TWIN

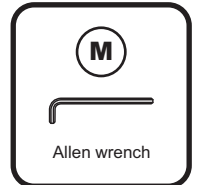
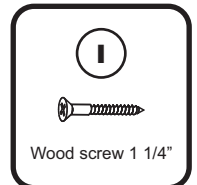
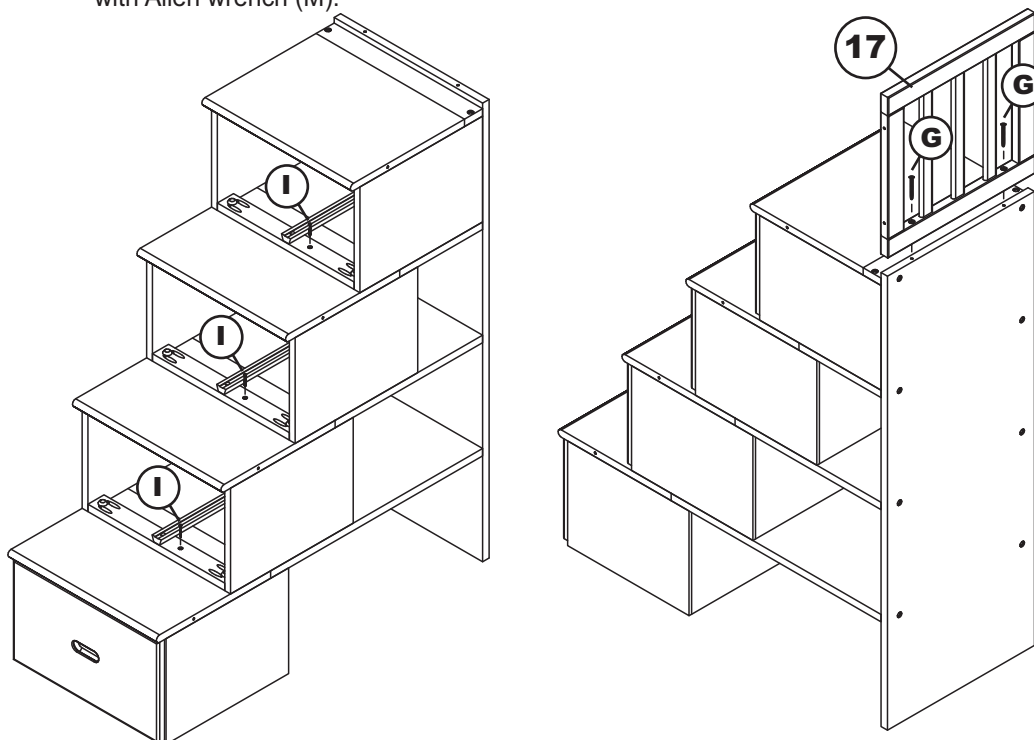
STEP 11

Attach drawer assemblies to back panel (10) as shown below. Using allen screw (D). Tighten with Allen wrench (M).



STEP 12

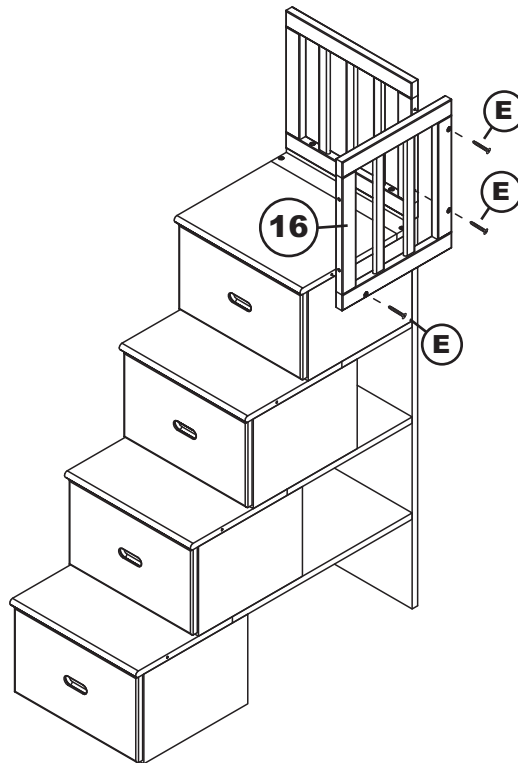
Remove drawers and install wood screw (I) to bottom rail as shown below. Tighten with Phillips head screwdriver. (Customer supplied) Reinstall Drawers to drawer box. Attach back short guardrail (17) to drawer assemblies as shown below. Using Allen screw (G). Tighten with Allen wrench (M).



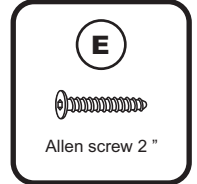
TWIN - TWIN

STEP 13

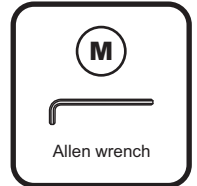
Attach side short guardrail (16) to the staircase bookshelf assemblies. Using allen screw (E). Tighten with Allen wrench (M).



Adult assembly



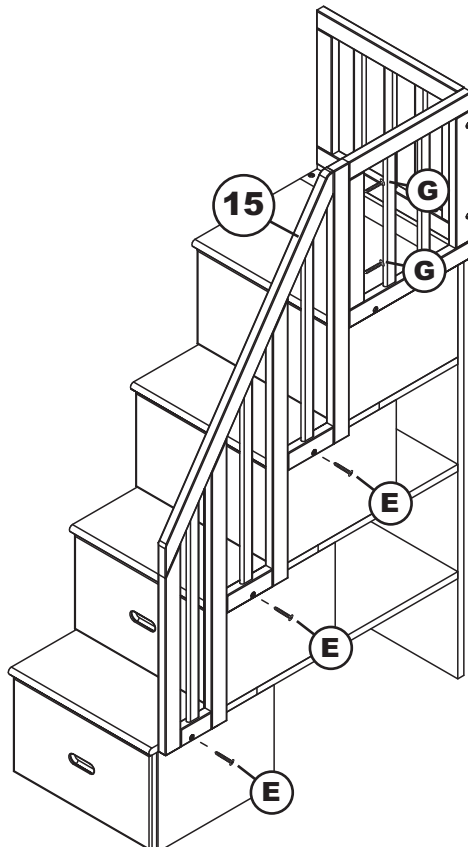
Allen screw 2 "



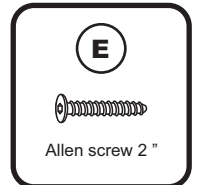
Allen wrench

STEP 14

Attach hand guard rail (15) to the staircase bookshelf assemblies. Using allen screw (E)(G). Tighten with Allen wrench (M). Recheck that all screws are tight.



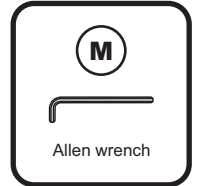
Adult assembly



Allen screw 2 "



Allen screw 2 3/4 "

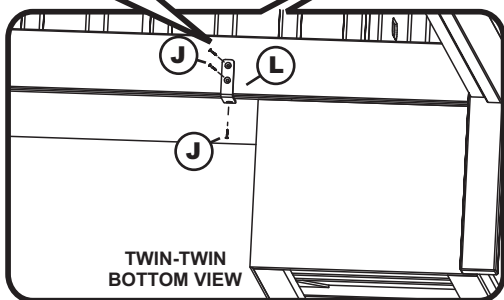
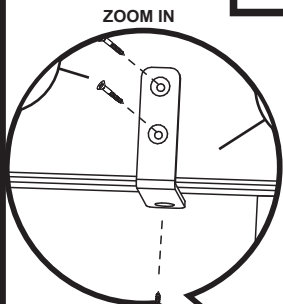
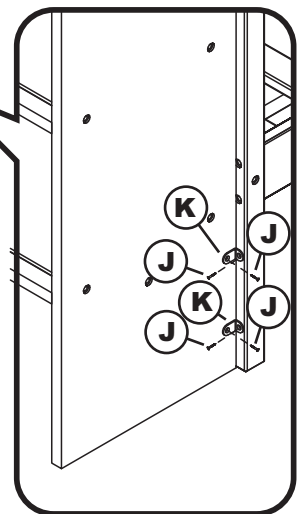
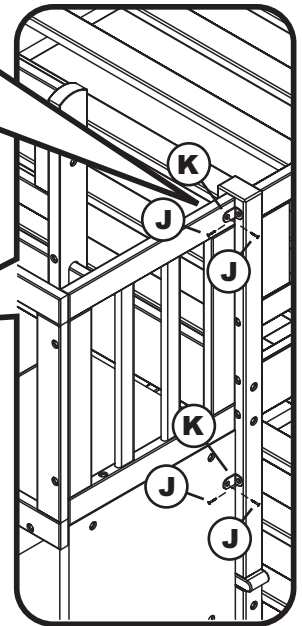
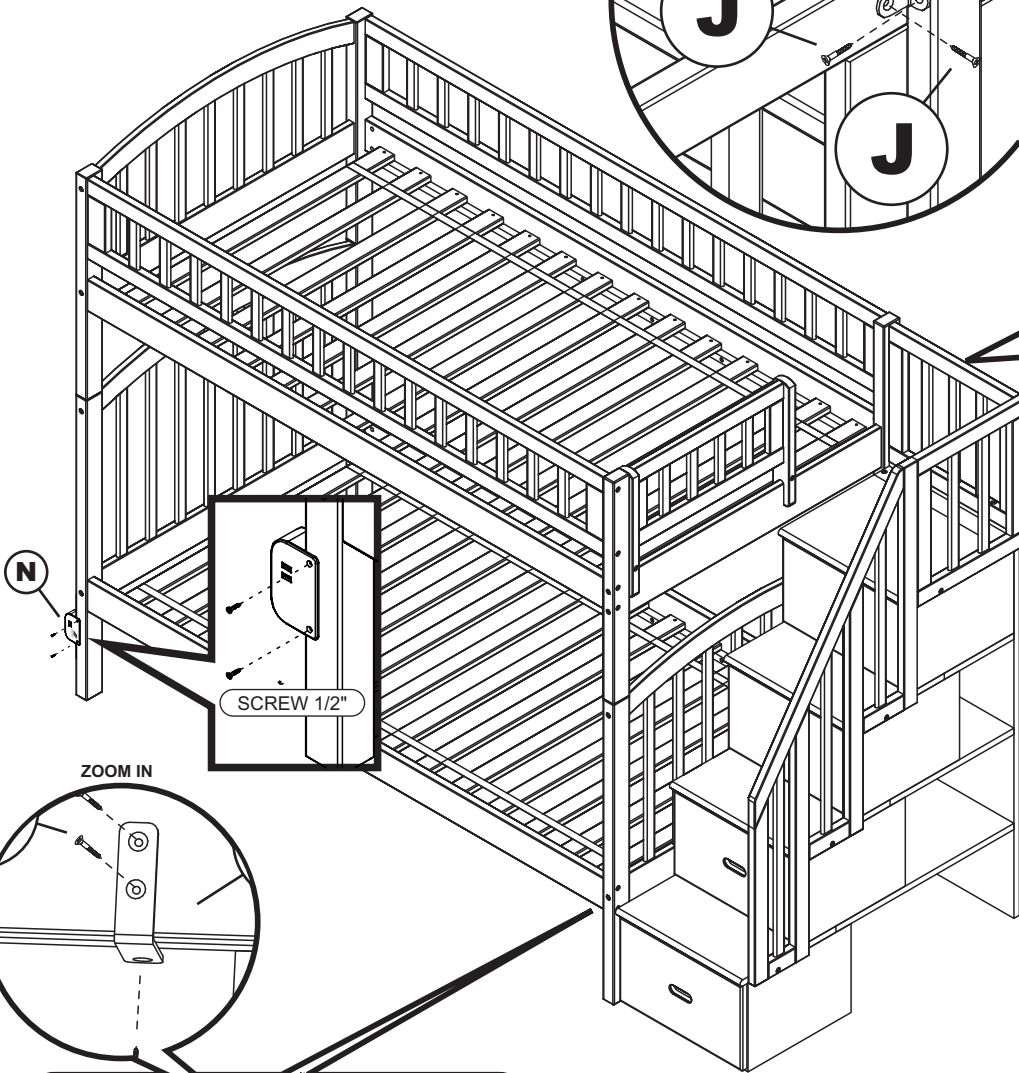
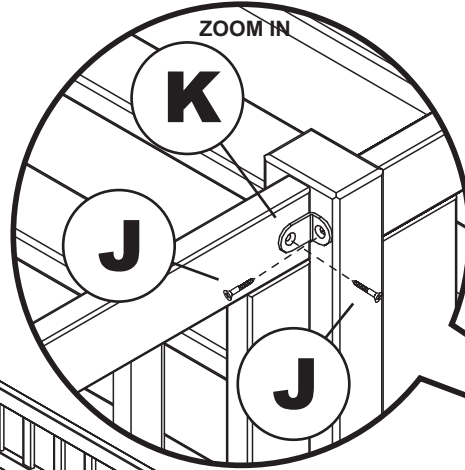
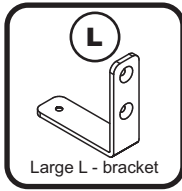
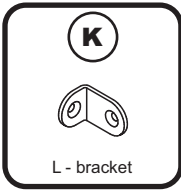


Allen wrench

TWIN - TWIN

STEP 15

Move the bunk bed and staircase bookshelf assemblies where you want to place them in the room. Attach staircase bookshelf assembly to the bunk bed assembly as shown below. Fix L bracket (K) to upper, lower bunk panel using wood screws (J) as shown. Fix large L bracket (L) as shown. Lastly, Install USB charger (N) to the location as shown below. Using 1/2" screws and tighten with Phillips head screw driver. (Customer supplied)



Congratulations!

Your staircase bookshelf bunk bed is now ready for use. We recommend that you periodically check that all screws are tight and all parts are secure to ensure lasting safety.

ASSEMBLY INSTRUCTION (TWIN SET OF 2)

Before assembling your bed slat kit, please read through these instructions carefully and familiarize yourself with the different parts.

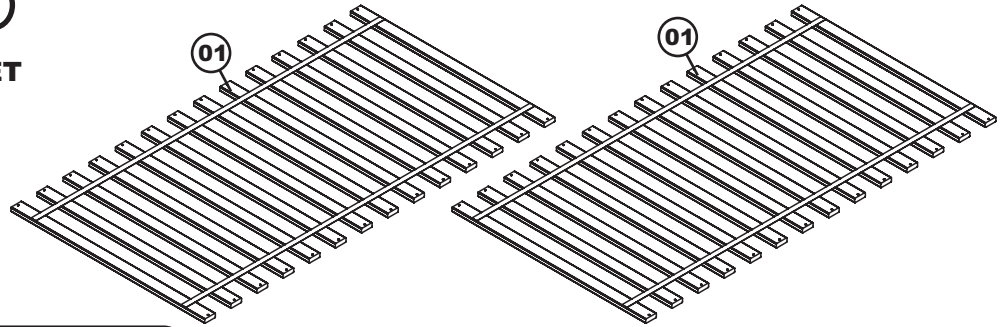
Please note that you will require a Phillips screwdriver.

ATTENTION! If you receive a damaged or defective item, please contact afifurnishings at customerservice@afifurnishings.com or 1-800-955-3726



PARTS LIST

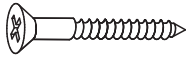
01 SLAT KIT 2 SET



CODE	ITEM
SL-PF	E-65200

NOTE: WE INCLUDE SPARE HARDWARE IN CASE DAMAGE OCCURS DURING ASSEMBLY.

A



1 1/4" Wood screw - 56 pcs
Spare - 4 pcs

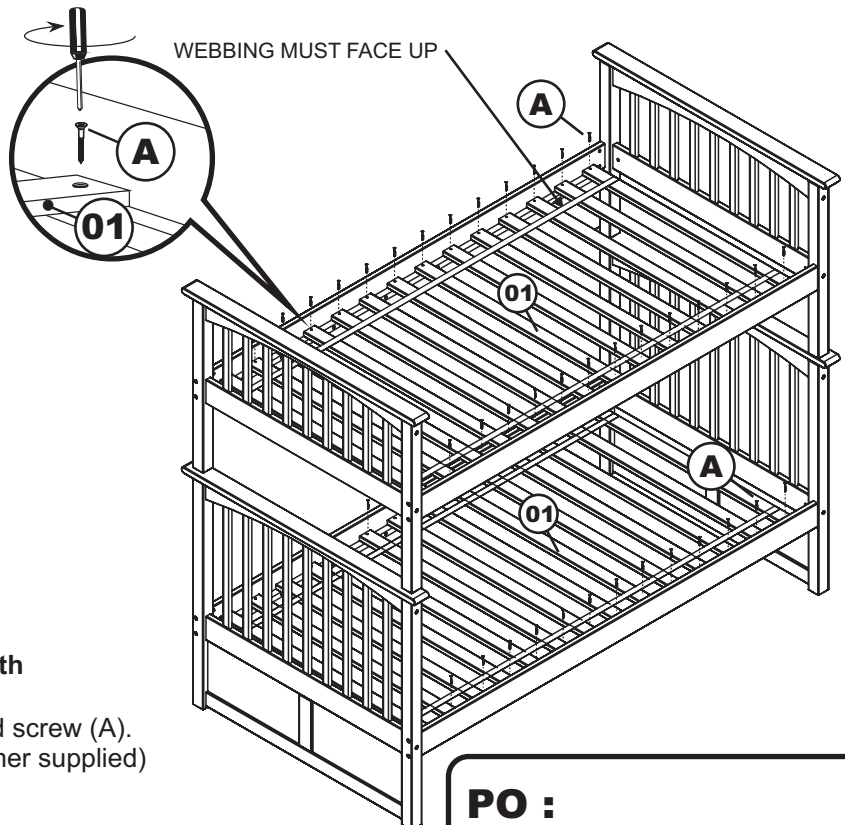
HARDWARE

Step 1

Assemble bunk bed according to assembly instructions.

Step 2

Lay the slat kit onto the bed.



PO :



Be sure to align slat kit evenly with both ends of side rail.

Screw slat kit (01) to side rail, using wood screw (A). Tighten with Phillips screwdriver. (Customer supplied)

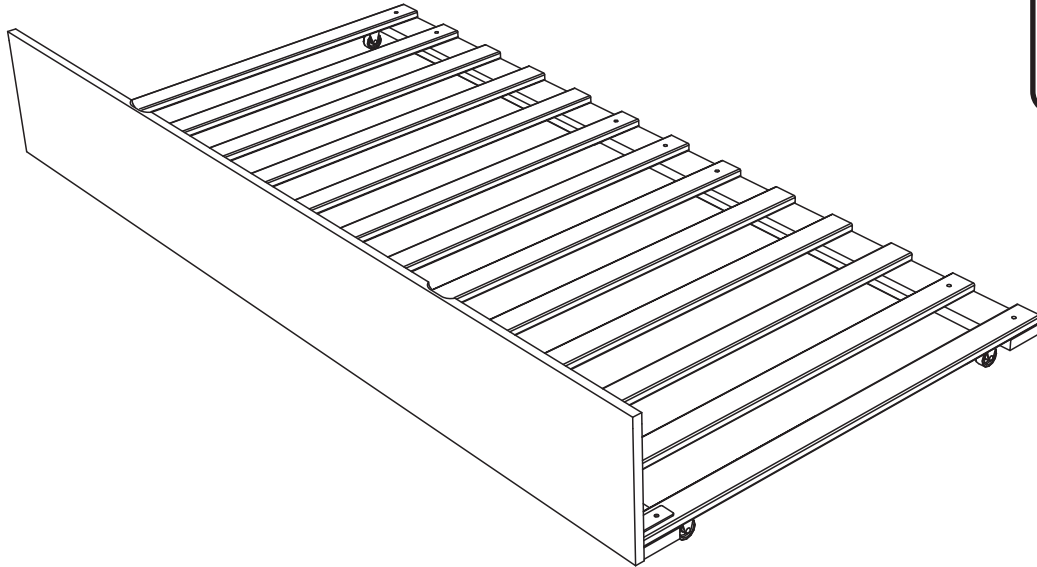
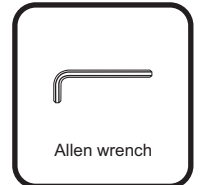
Be sure the space between slats is even.

NOTE: WEBBING MUST FACE UP

ASSEMBLY INSTRUCTIONS

Before assembling your Trundle bed, please read through these instructions carefully. Familiarize yourself with the different parts.

ATTENTION! If you receive a damaged or defective item, please contact afifurnishings at customerservice@afifurnishings.com or 1-800-955-3726



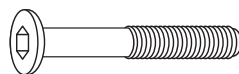
PO :

CODE	ITEM
ST-TD-UBN	E-6710X

HARDWARE

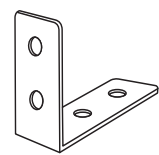
NOTE: WE INCLUDE SPARE HARDWARE IN CASE DAMAGE OCCURS DURING ASSEMBLY.

A



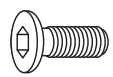
JCB M6 X 1 5/8" (40mm) - 17 pcs
Spare - 2 pcs

C




L Bracket - 3 pcs

B



JCB M6 X 5/8" (15mm) - 6 pcs
Spare - 2 pcs
Fix L bracket to front panel

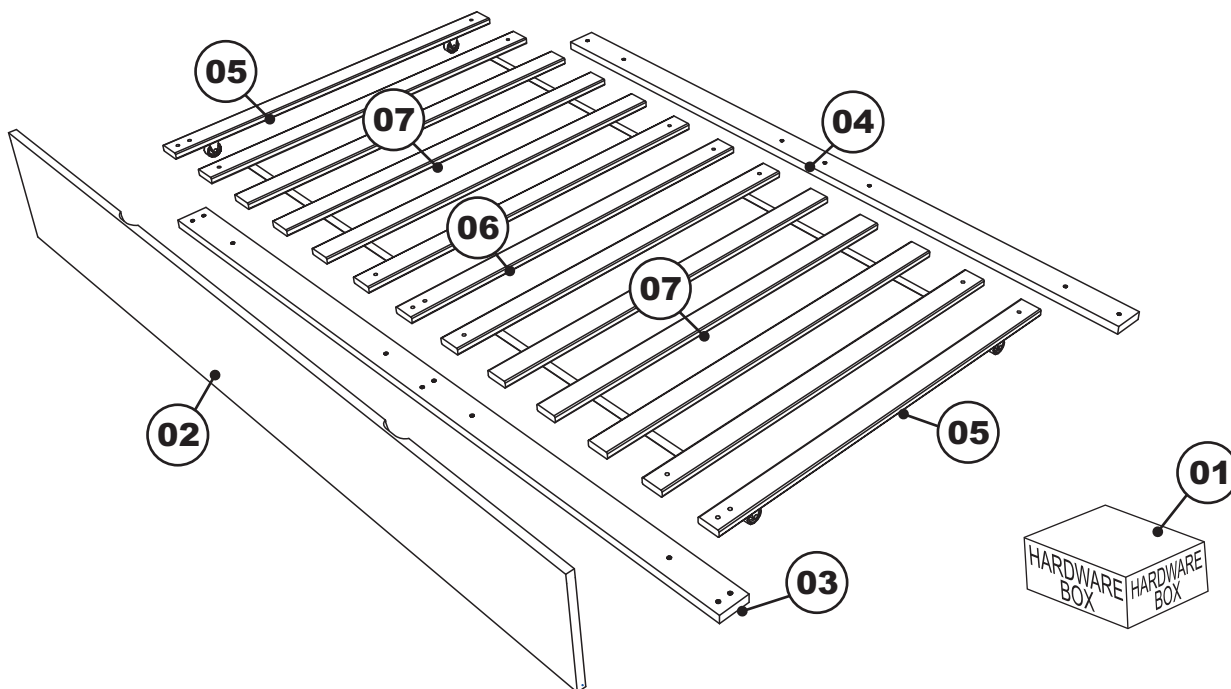
D



Allen wrench - 1 pc
Spare - 1 pc

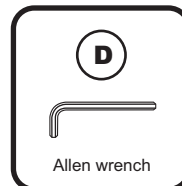
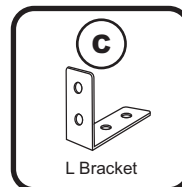
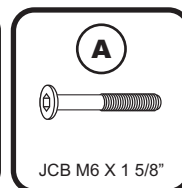
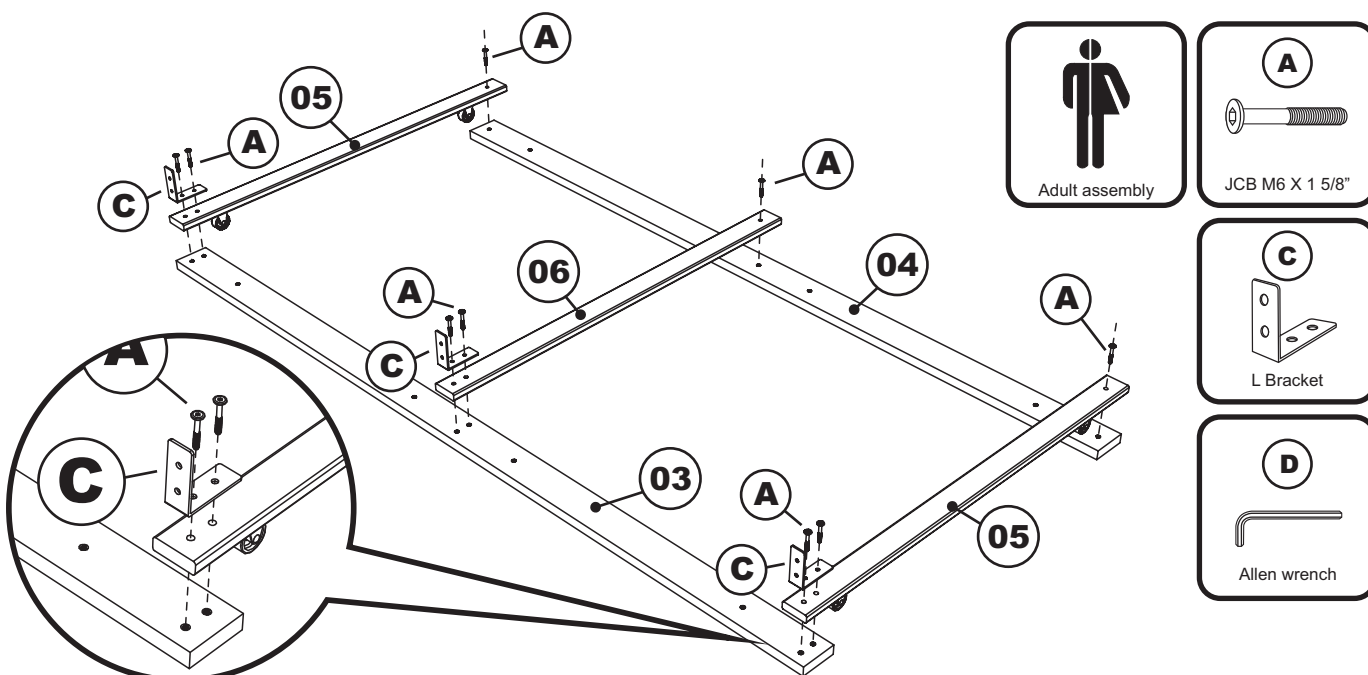
PARTS LIST

01	HARDWARE	1 BOX	05	SIDE CROSS RAIL	2 PCS
02	FRONT PANEL	1 PC	06	CENTER CROSS RAIL	1 PC
03	FRONT RAIL	1 PC	07	SLAT KIT	2 SET
04	BACK RAIL	1 PC			



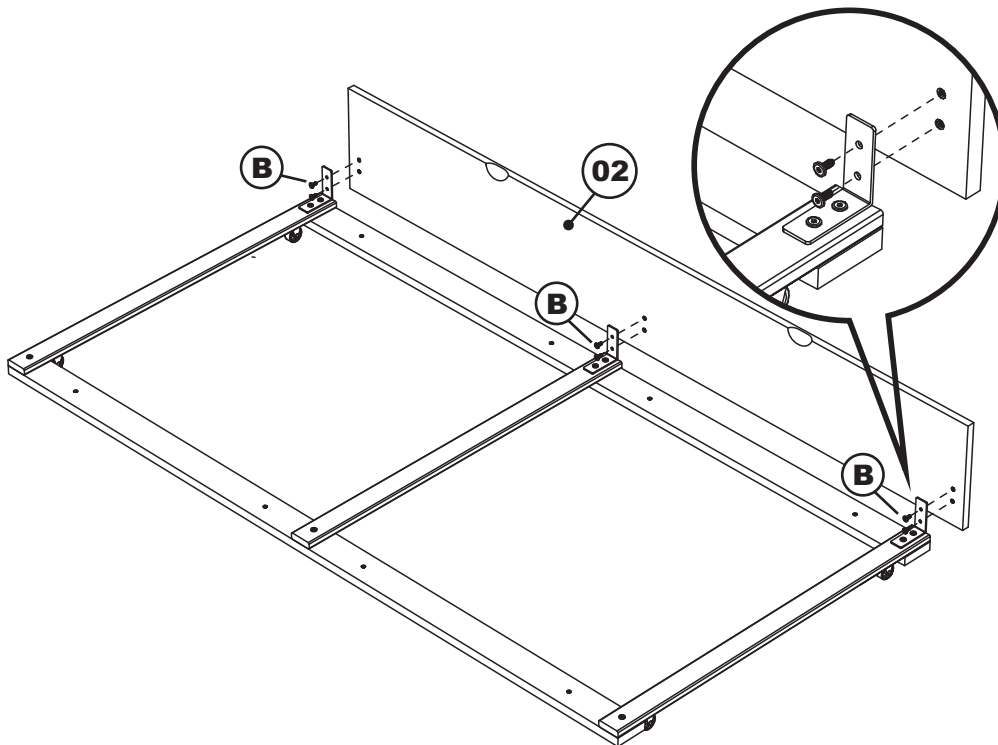
Step 1

Attach the side cross rails (05) and center cross rail (06) to the front and back rail (03)(04), using L bracket (C), JCB M6 X 1 5/8" (A). Tighten with the Allen wrench (D).



Step 2

Attach the front panel (02) to the front rail as shown, using JCB M6 X 5/8" (B). Tighten with the Allen wrench (D).



Adult assembly

B



JCB M6 X 5/8"

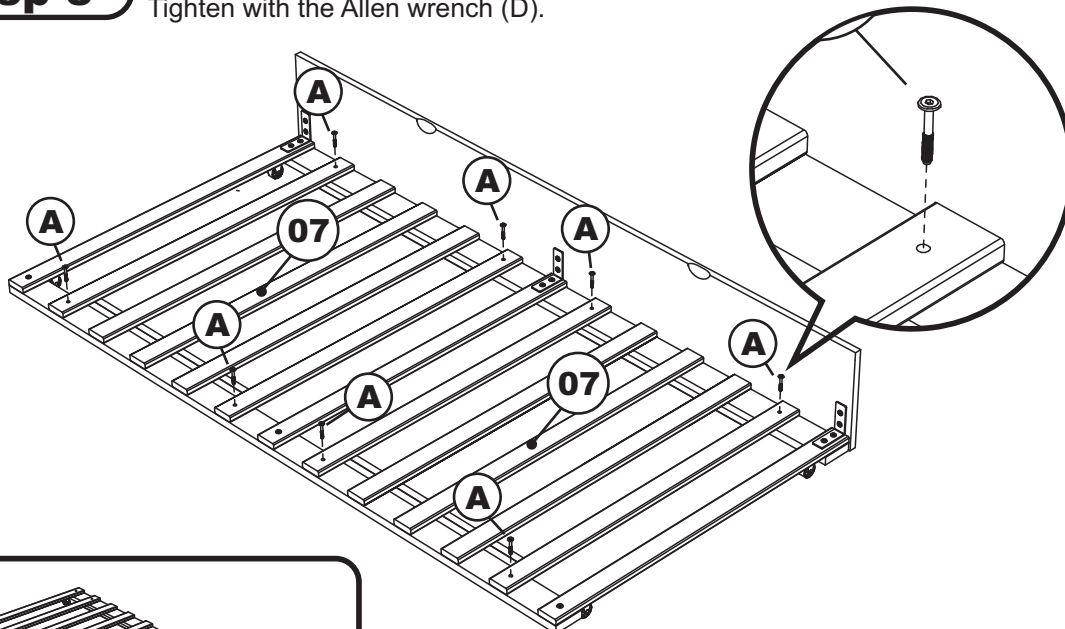
D



Allen wrench

Step 3

Lay the slat kit (07) onto the rail assembly as shown, using JCB M6 X 1 5/8" (A). Tighten with the Allen wrench (D).



Adult assembly

A

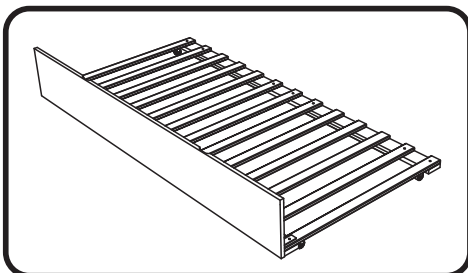


JCB M6 X 1 5/8"

D



Allen wrench



Congratulations!

Your Trundle bed is now ready for use.

We recommend that you periodically check that all screws are tight and all parts are secure to ensure lasting safety.