

## Size of Mattress and Foundation

The length and width of the upper and lower bunk mattress and foundation are as follows :

<u>Size</u>	<u>Length</u>	<u>Width</u>	<u>Thickness</u>
Twin	74" - 75"	37 ½" - 38 ½"	9 ½" max
Full	74" - 75"	52" - 53"	9 ½" max

### You must use only this size mattress.

Ensure thickness of upper and lower mattress and foundation combined does not exceed 9 ½" and that the mattress is at least 5" below upper edge of guardrails.

This Bunk Bed uses a slat kit for mattress foundation.

### Replacement Parts

Replacement parts, including additional guardrails, may be obtained from any affurnishings dealer



## SAFETY WARNINGS



- ( 1 ) Follow the information on the warnings appearing on the upper bunk end structure and on the carton. Do not remove warning label from bed.
- ( 2 ) Always use the recommended size mattresses or mattress support, or both, to help prevent the likelihood of entrapment or falls.
- ( 3 ) Surface of mattress must be at least 5 in. (127mm) below the upper edge of guardrails.
- ( 4 ) Do not allow children under 6 years of age to use the upper bunk.
- ( 5 ) Periodically check and ensure that the guardrail, ladder, and other component are in their proper position, free from damage, and that all connectors are tight.
- ( 6 ) Do not allow horseplay on or under the bed and prohibit jumping on the bed.
- ( 7 ) Always use ladder for entering or leaving upper bunk.
- ( 8 ) Do not use substitute parts. Contact the manufacturer or dealer for replacement parts.
- ( 9 ) Use of a night light may provide added safety precaution for a child using the upper bunk.
- (10) Always use guardrails on both long sides of the upper bunk. If the bunk bed will be placed next to the wall, the guardrail that runs the full length of the bed should be placed against the wall to prevent entrapment between the bed and the wall.
- (11) The use of water or sleep flotation mattresses is prohibited.
- (12) **STRANGULATION HAZARD** : Never attach or hang items to any part of the bunk bed that are not designed for use with the bed; for example, but not limited to, hooks, belts and jump ropes.
- (13) Keep these instructions for future reference.

## ASSEMBLY INSTRUCTIONS

TWIN - TWIN

Thank you for choosing our new bunk bed.  
This practical design offers the utmost in versatility.

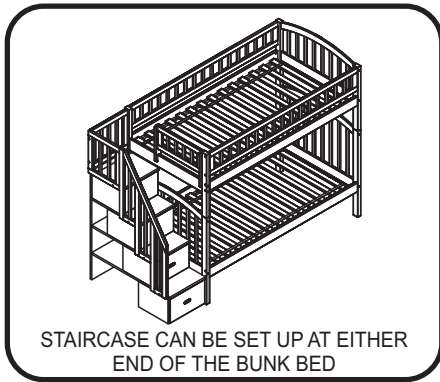
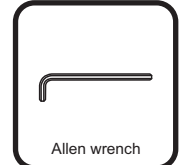
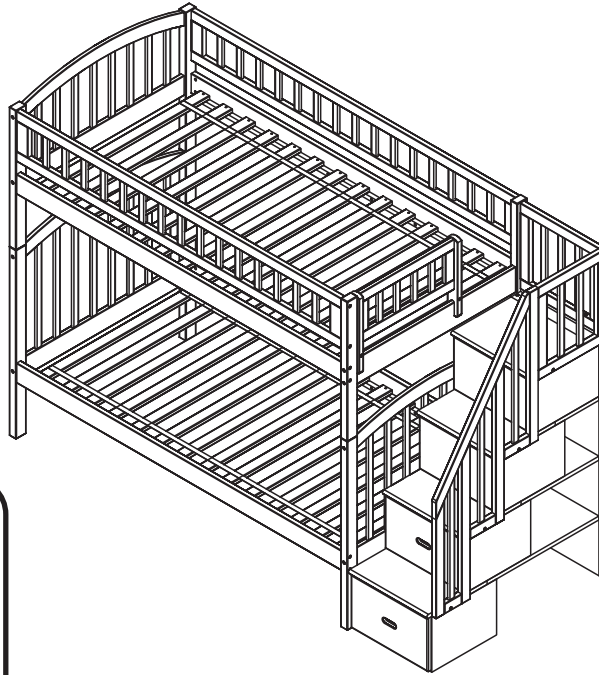
Before assembling your staircase bookshelf bunk bed, please read through these instructions carefully and familiarize yourself with the different parts.

Please note that you will require a Phillips head screwdriver and an Allen wrench.

**ATTENTION!** If you receive a damaged or defective item, please contact afifurnishings at customerservice@afifurnishings.com or 1-800-955-3726



CODE	ITEM
BK-SCDR-WBK	B-6500X
BK-SCBS-WBK	B-6510X
BK-SCPL-WBK	B-6521X
BK-SCGR-WBK	B-6571X



**PO :**

NOTE: WE INCLUDE SPARE HARDWARE IN CASE DAMAGE OCCURS DURING ASSEMBLY.

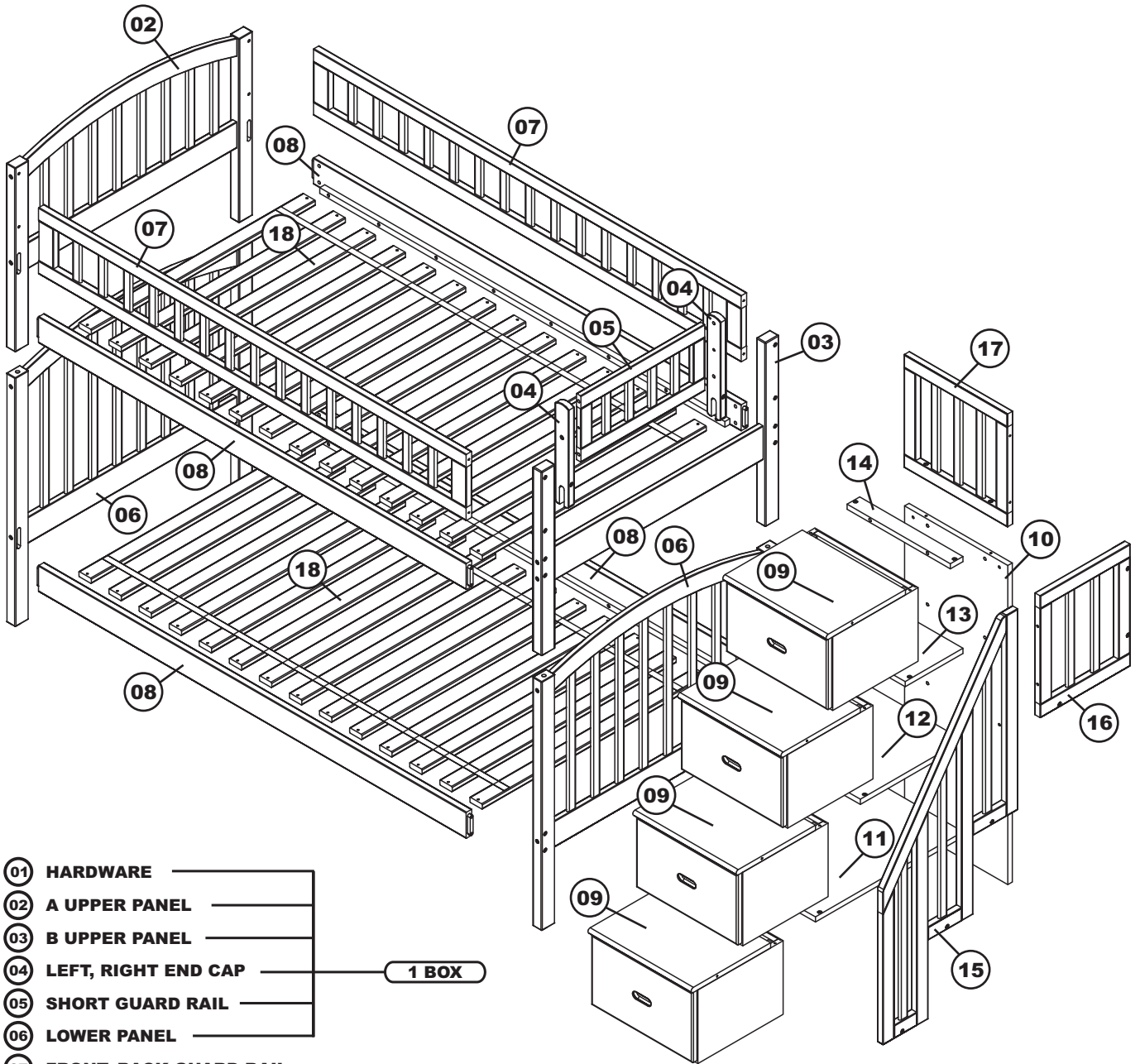
### PANEL HARDWARE

- A** JCB M6 X 3 1/8" - 16 pcs  
Spare - 2 pcs
- B** Barrel nut - 16 pcs  
Spare - 2 pcs
- C** Wooden dowel - 4 pcs  
Spare - 1 pc
- E** Allen screw 2" - 2 pcs  
Spare - 1 pc
- F** Allen screw 2 3/8" - 8 pcs  
Spare - 2 pcs
- H** Metal pins - 4 pcs
- I** Wood screw 1 1/4" - 2 pcs  
Spare - 1 pc
- M** Allen wrench - 1 pc
- N** Surface Mount Charger - 1 set  
Screws 1/2" - 2 pcs  
Spare - 1 pc

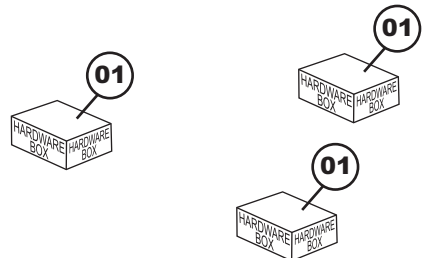
### HANDRAIL & BOOKSHELF HARDWARE

- C** Wooden dowel - 16 pcs  
Spare - 1 pc
- D** Allen screw 1 5/8" - 16 pcs  
Spare - 2 pcs
- E** Allen screw 2" - 6 pcs  
Spare - 1 pc
- G** Allen screw 2 3/4" - 4 pcs  
Spare - 1 pc
- I** Wood screw 1 1/4" - 3 pcs  
Spare - 1 pc
- J** Wood screw 5/8" - 11 pcs  
Spare - 2 pcs
- K** L bracket - 4 pcs
- L** Large L bracket - 1 pc
- M** Allen wrench - 1 pc

# PARTS LIST



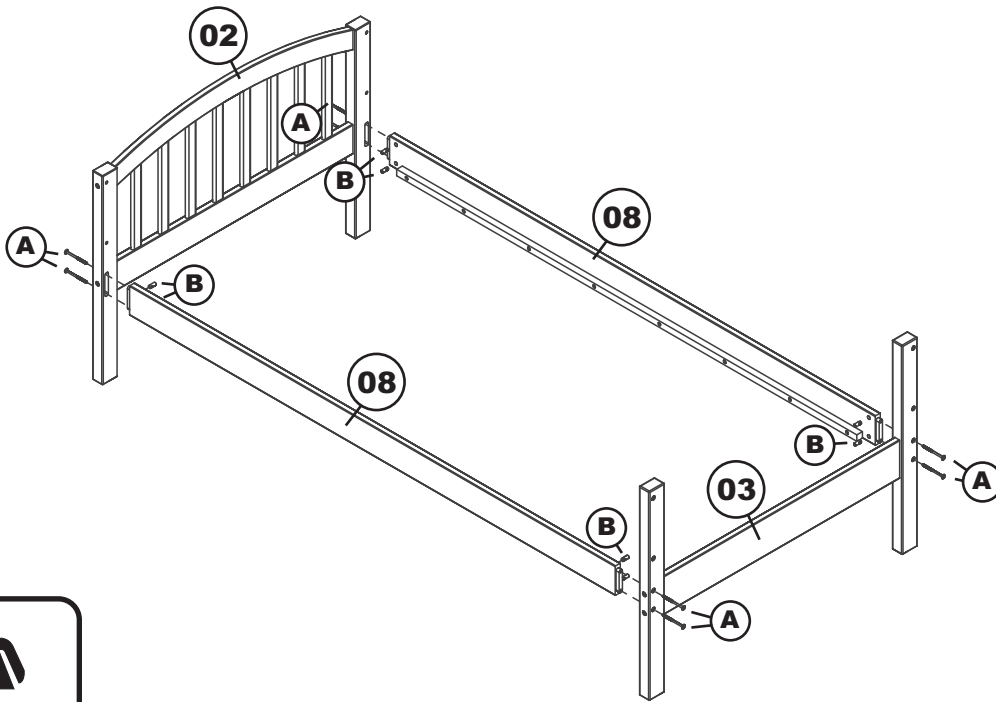
- 01 HARDWARE
- 02 A UPPER PANEL
- 03 B UPPER PANEL
- 04 LEFT, RIGHT END CAP ——— 1 BOX
- 05 SHORT GUARD RAIL
- 06 LOWER PANEL
- 07 FRONT, BACK GUARD RAIL ——— 1 BOX
- 08 LONG RAILS
- 09 DRAWERS ——— 2 BOX
- 01 HARDWARE
- 10 BACK PANEL
- 11 TOP PANEL 1
- 12 TOP PANEL 2
- 13 TOP PANEL 3 ——— 1 BOX
- 14 TOP PANEL 4
- 15 HAND GUARDRAIL
- 16 SIDE SHORT GUARDRAIL
- 17 BACK SHORT GUARDRAIL
- 01 HARDWARE
- 18 TWIN SLAT KIT ——— 2 BOX



## TWIN - TWIN

### STEP 1

Attach the long rails (08) to the upper panels (02)(03), using JCB M6 X 3 1/8" (A) and barrel nut (B). Tighten with the Allen wrench (M).



A



JCB M6 X 3 1/8"

B



Barrel nut

M



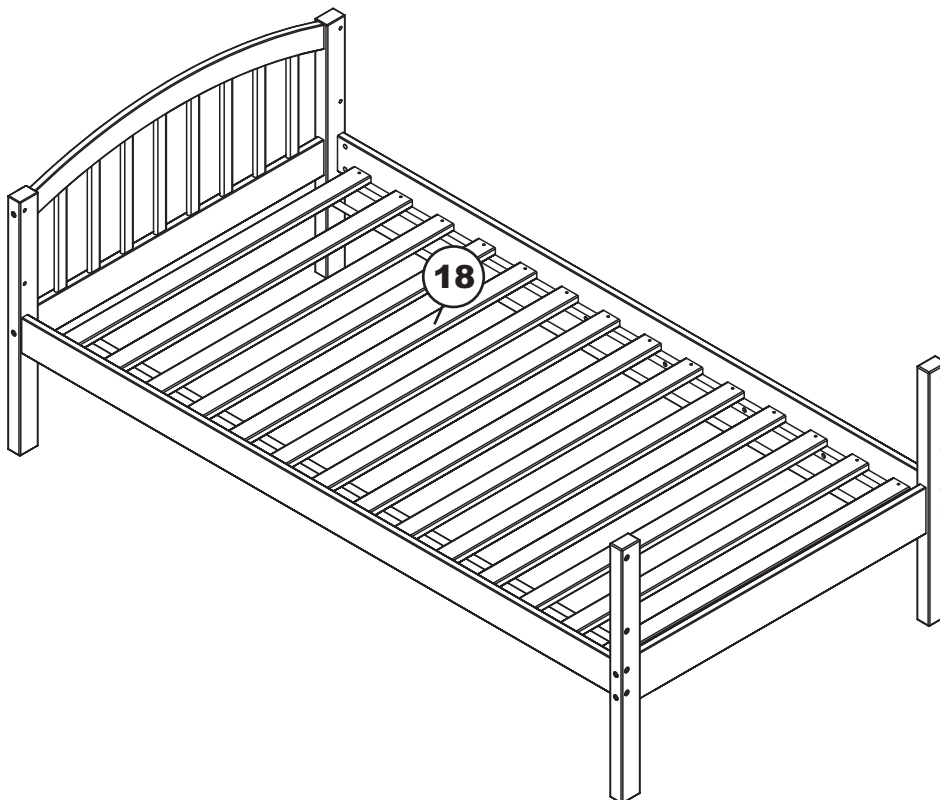
Allen wrench



Adult assembly

### STEP 2

Lay the twin slat kit (18) onto the bed. Fix in place using wood screws provided in the slat kit box. FOR SLAT KIT ASSEMBLY follow assembly instructions included with slat kit.



Adult assembly

Customer supplied

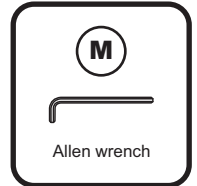
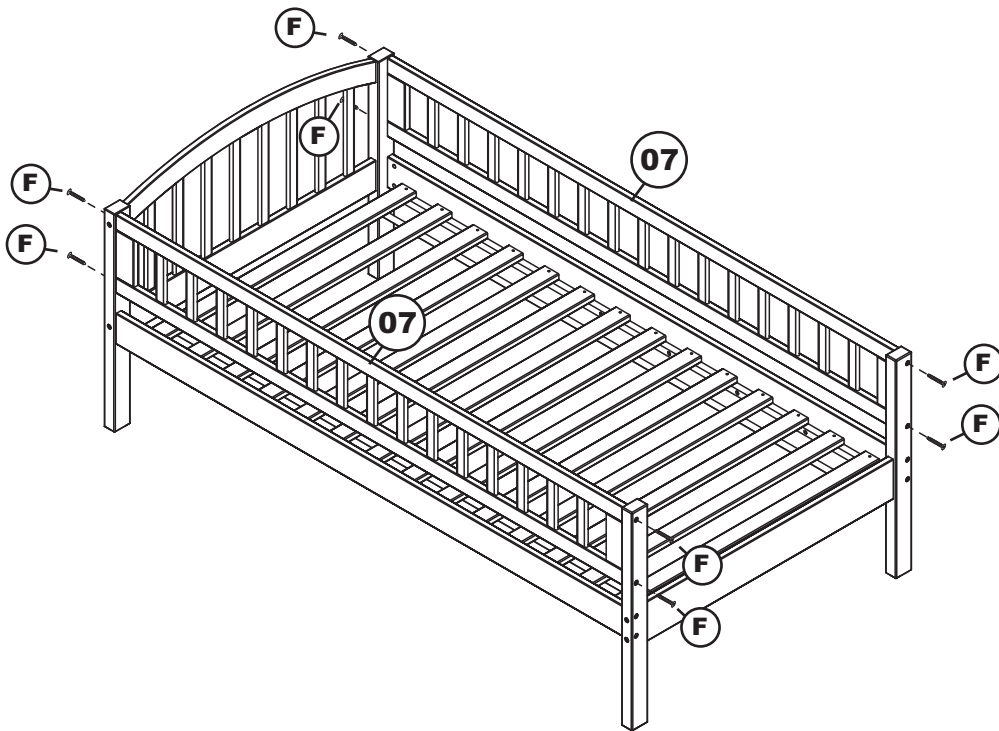


Phillips head  
screwdriver

TWIN - TWIN

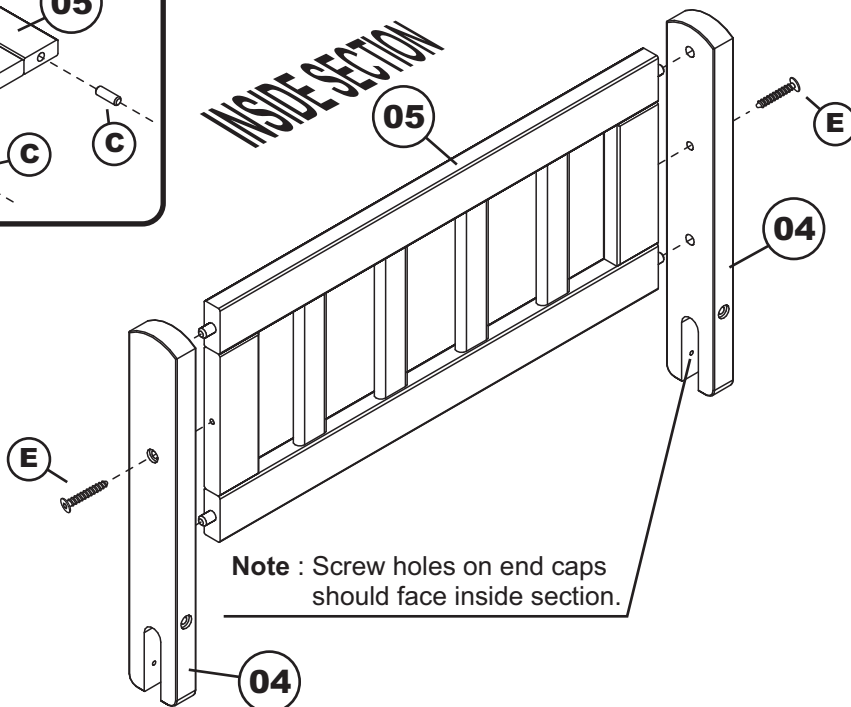
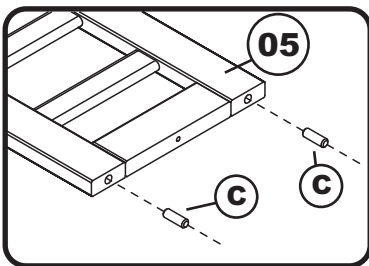
**STEP 3**

Attach the front, back guard rails (07) to the upper panel assemblies using Allen screw (F). Tighten with the Allen wrench (M).

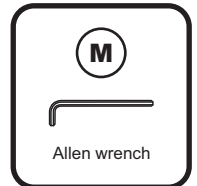
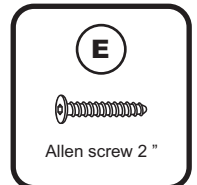
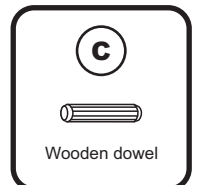


**STEP 4**

Insert wooden dowel (C) to the locator holes will receive C as shown below. Attach the short guard rail (05) to the left, right end caps (04), using Allen screw (E), Tighten with the Allen wrench (M).



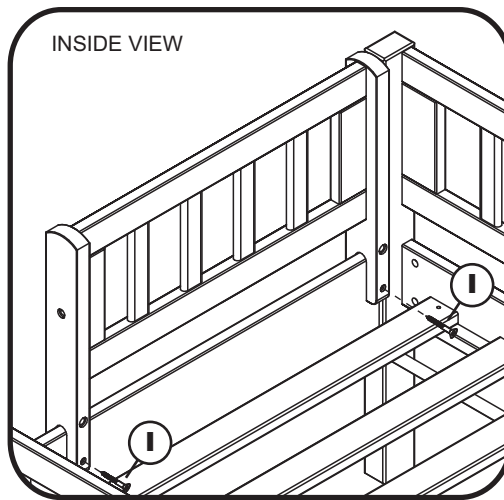
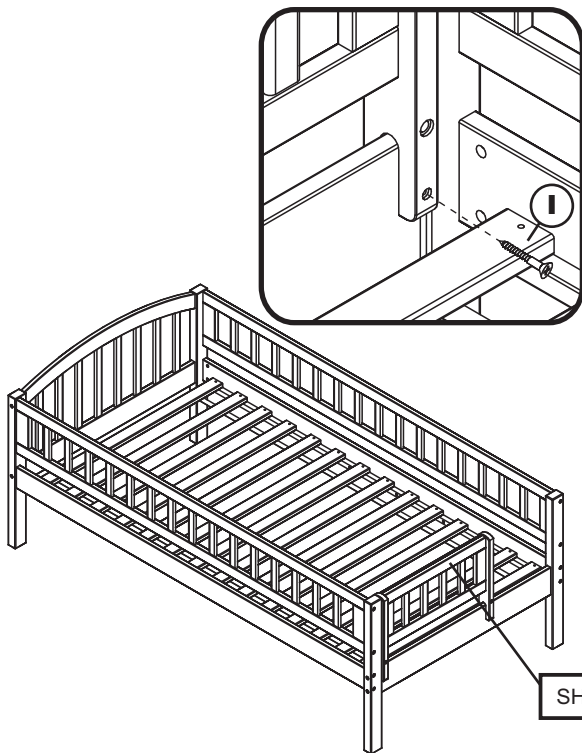
**Note :** Screw holes on end caps should face inside section.



TWIN - TWIN

**STEP 5**

Attach the short guard rail assemblies to the upper panel assemblies as shown below, using wood screw (I), tighten with the Phillips head screwdriver. (customer supplied)

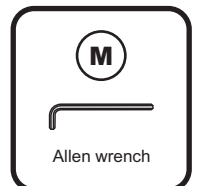
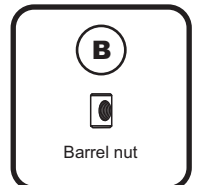
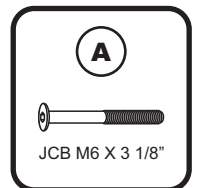
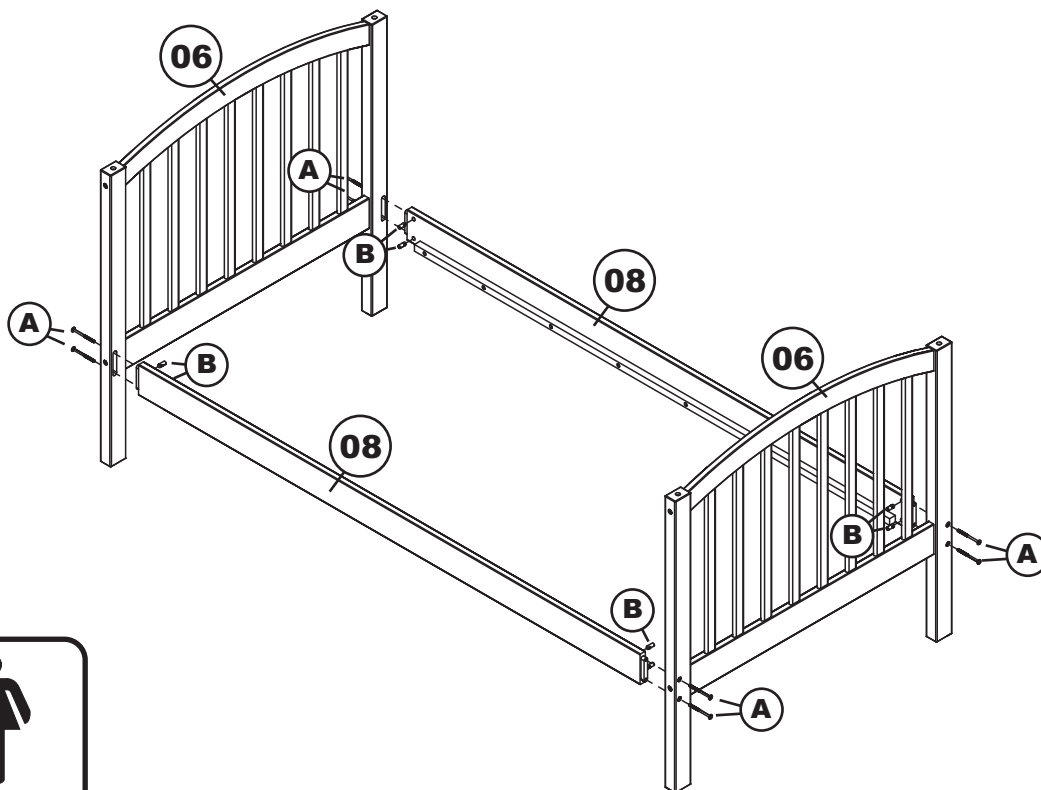


**Note :** Screw holes on end caps should face inside section.



**STEP 6**

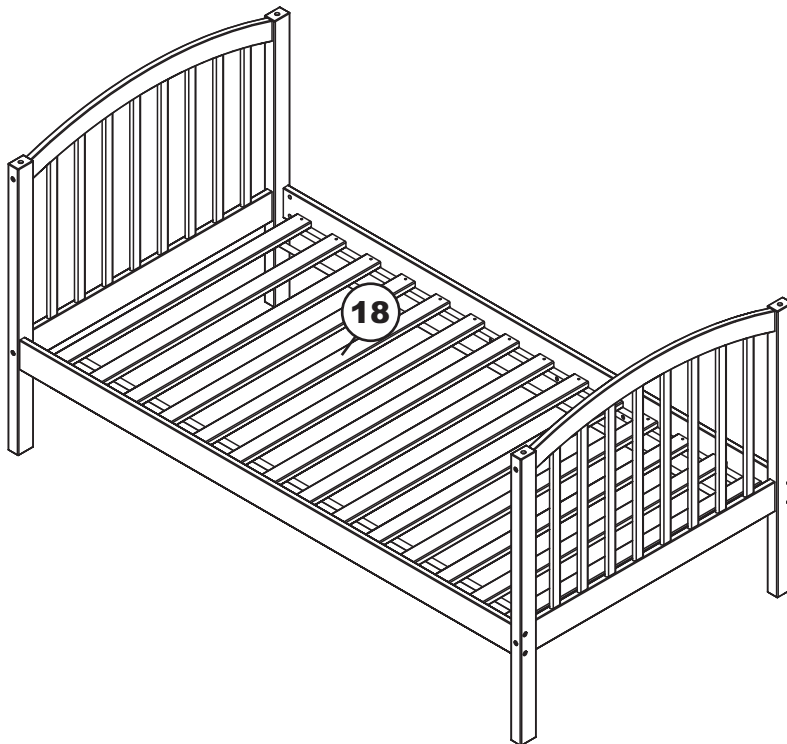
Attach the long rails (08) to the lower panel (06) using JCB M6 X 3 1/2" (A), and barrel nut (B). Tighten with the Allen wrench (M).



TWIN - TWIN

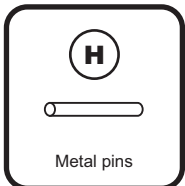
**STEP 7**

Lay the twin slat kit (18) onto the bed. Fix in place using wood screws provided in the slat kit box. FOR SLAT KIT ASSEMBLY follow assembly instructions included with slat kit.



**STEP 8**

Insert metal pins (H) into the holes on top of the lower panels. Lift the upper panels onto the lower panels as shown, and fit the metal pins into the holes in the bottom of the upper panel legs.

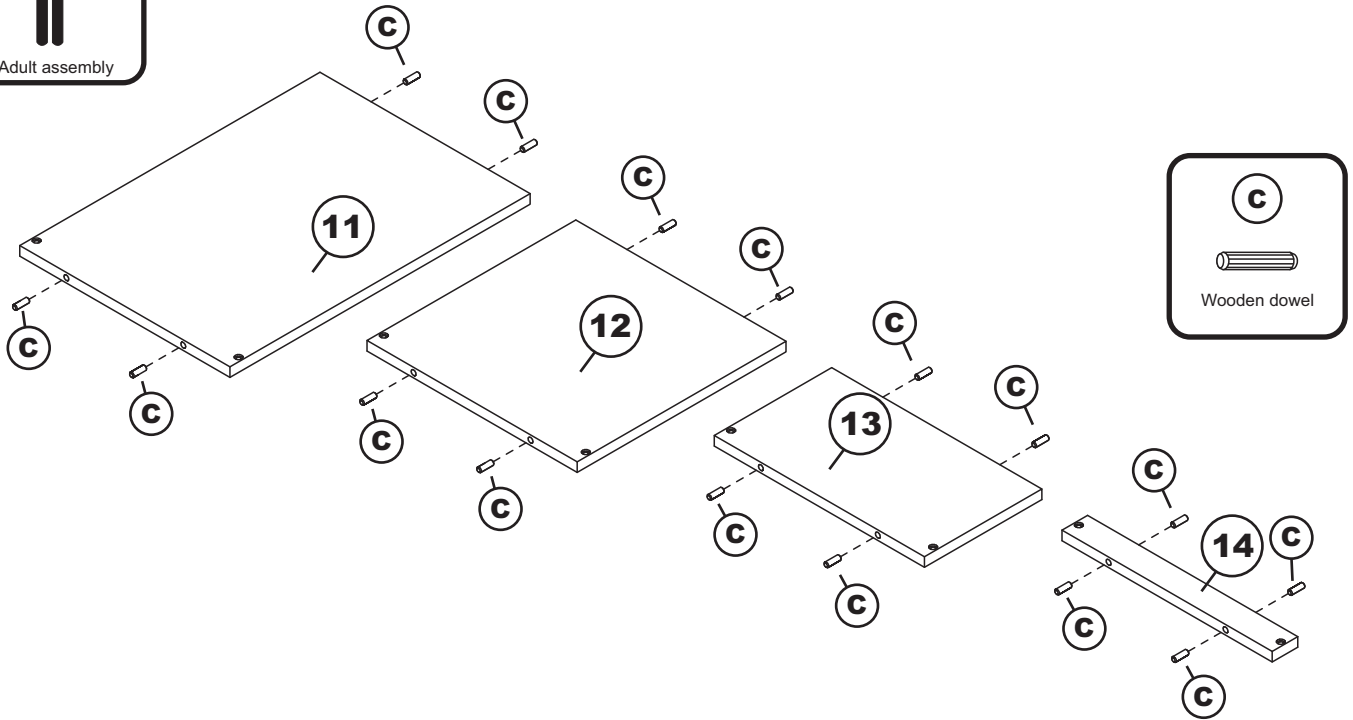


**CAUTION**  
This step requires  
two strong people.

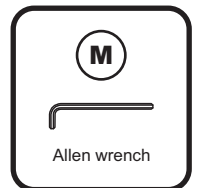
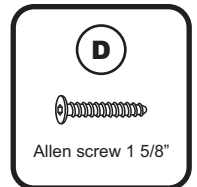
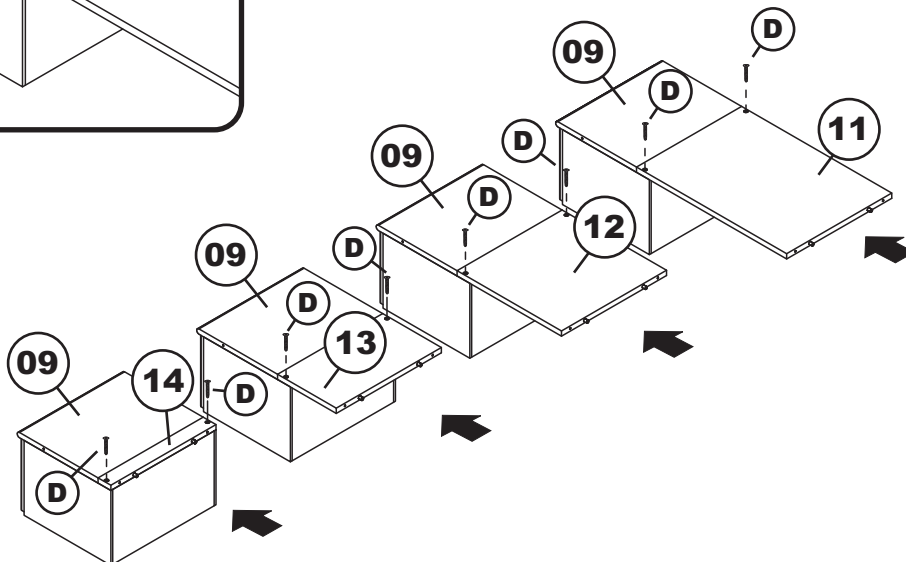
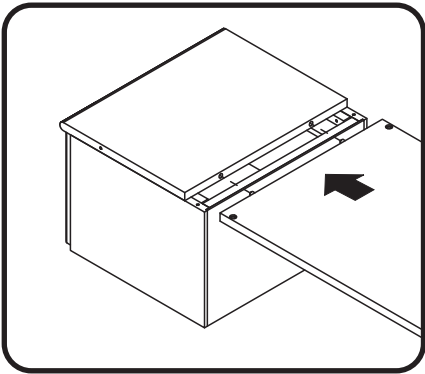


TWIN - TWIN

**STEP 9** Insert wooden dowel (C) to the locator holes will receive C as shown below.



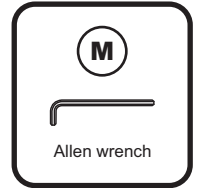
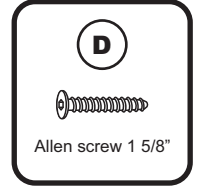
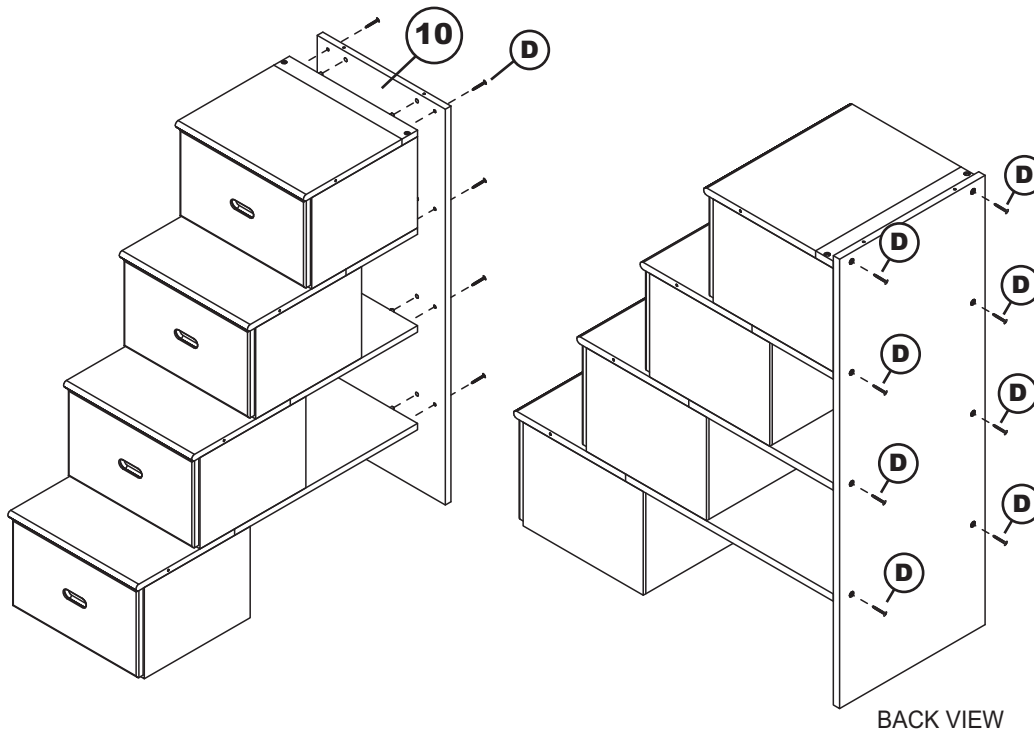
**STEP 10** Attach top panels (11)(12)(13)(14) to drawers (09) as shown below. Using allen screw (D). Tighten with allen wrench (M),



TWIN - TWIN

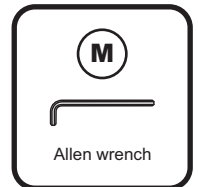
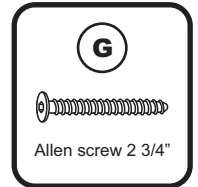
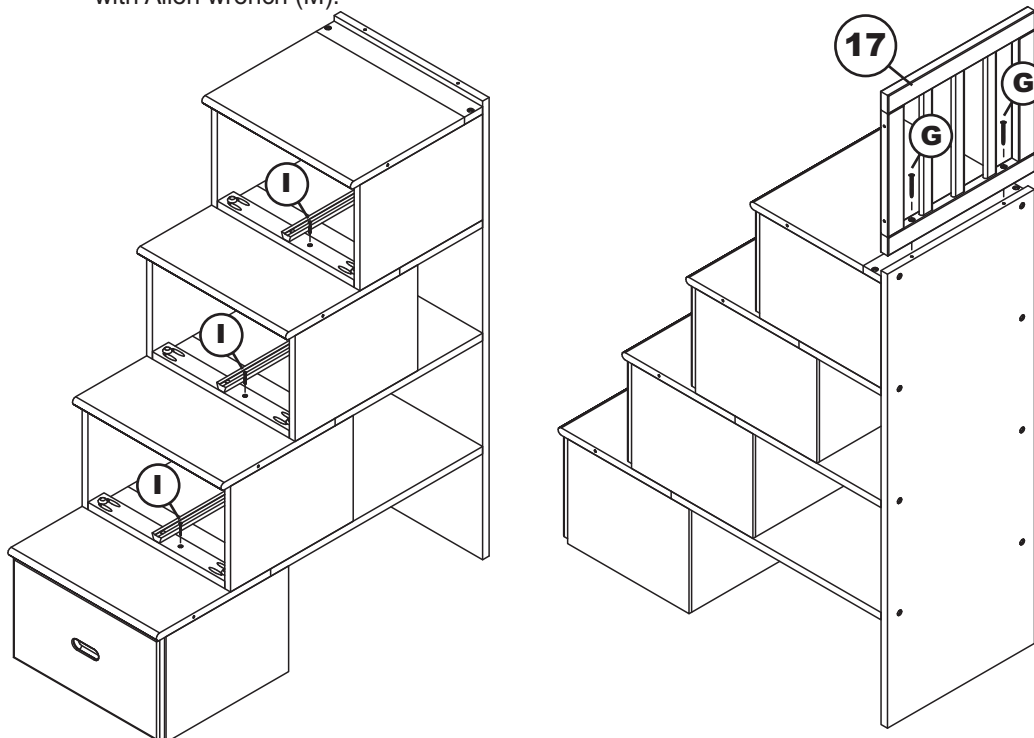
**STEP 11**

Attach drawer assemblies to back panel (10) as shown below. Using allen screw (D). Tighten with Allen wrench (M).



**STEP 12**

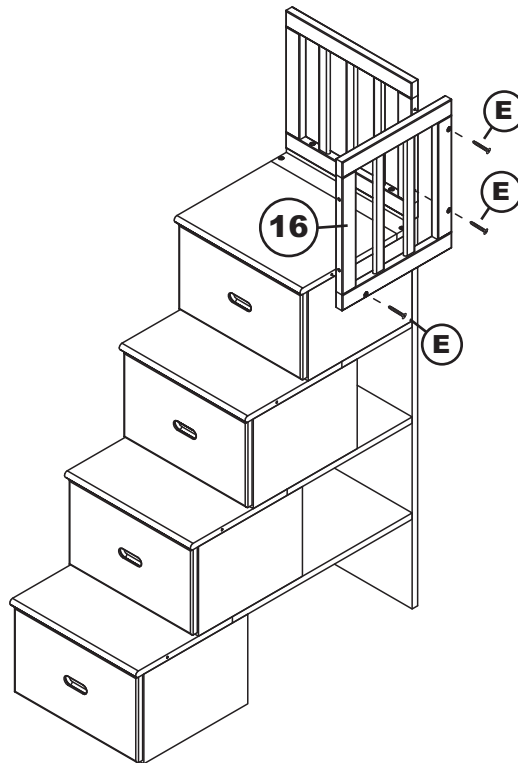
Remove drawers and install wood screw (I) to bottom rail as shown below. Tighten with Phillips head screwdriver. (Customer supplied) Reinstall Drawers to drawer box. Attach back short guardrail (17) to drawer assemblies as shown below. Using Allen screw (G). Tighten with Allen wrench (M).



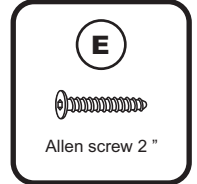
TWIN - TWIN

**STEP 13**

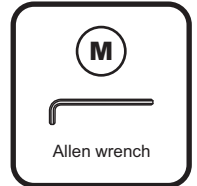
Attach side short guardrail (16) to the staircase bookshelf assemblies. Using allen screw (E). Tighten with Allen wrench (M).



Adult assembly



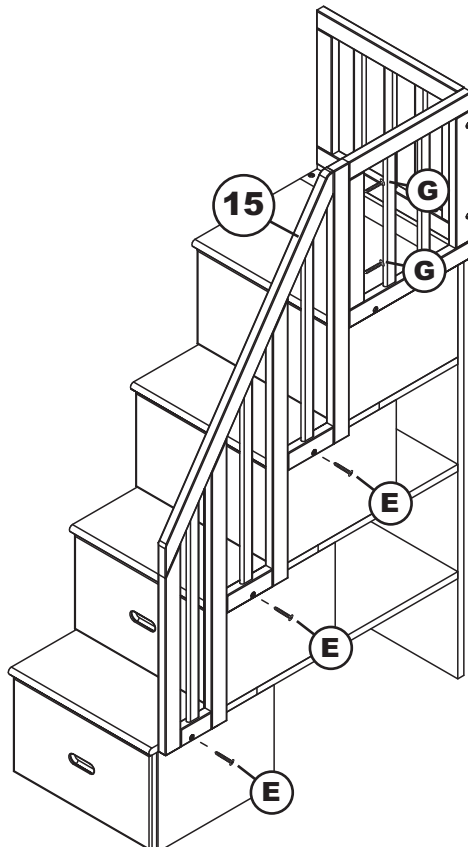
Allen screw 2 "



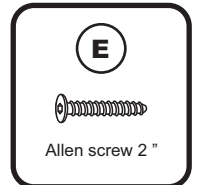
Allen wrench

**STEP 14**

Attach hand guard rail (15) to the staircase bookshelf assemblies. Using allen screw (E)(G). Tighten with Allen wrench (M). Recheck that all screws are tight.



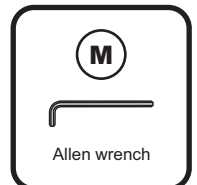
Adult assembly



Allen screw 2 "



Allen screw 2 3/4 "

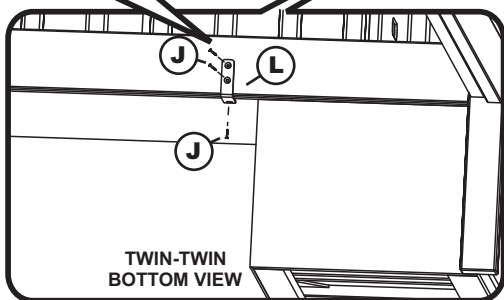
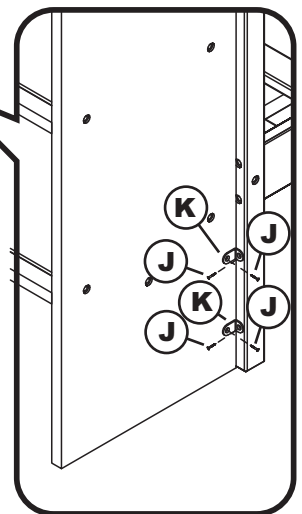
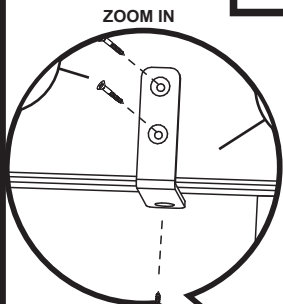
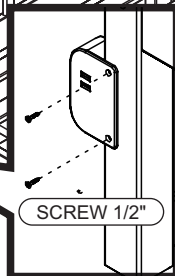
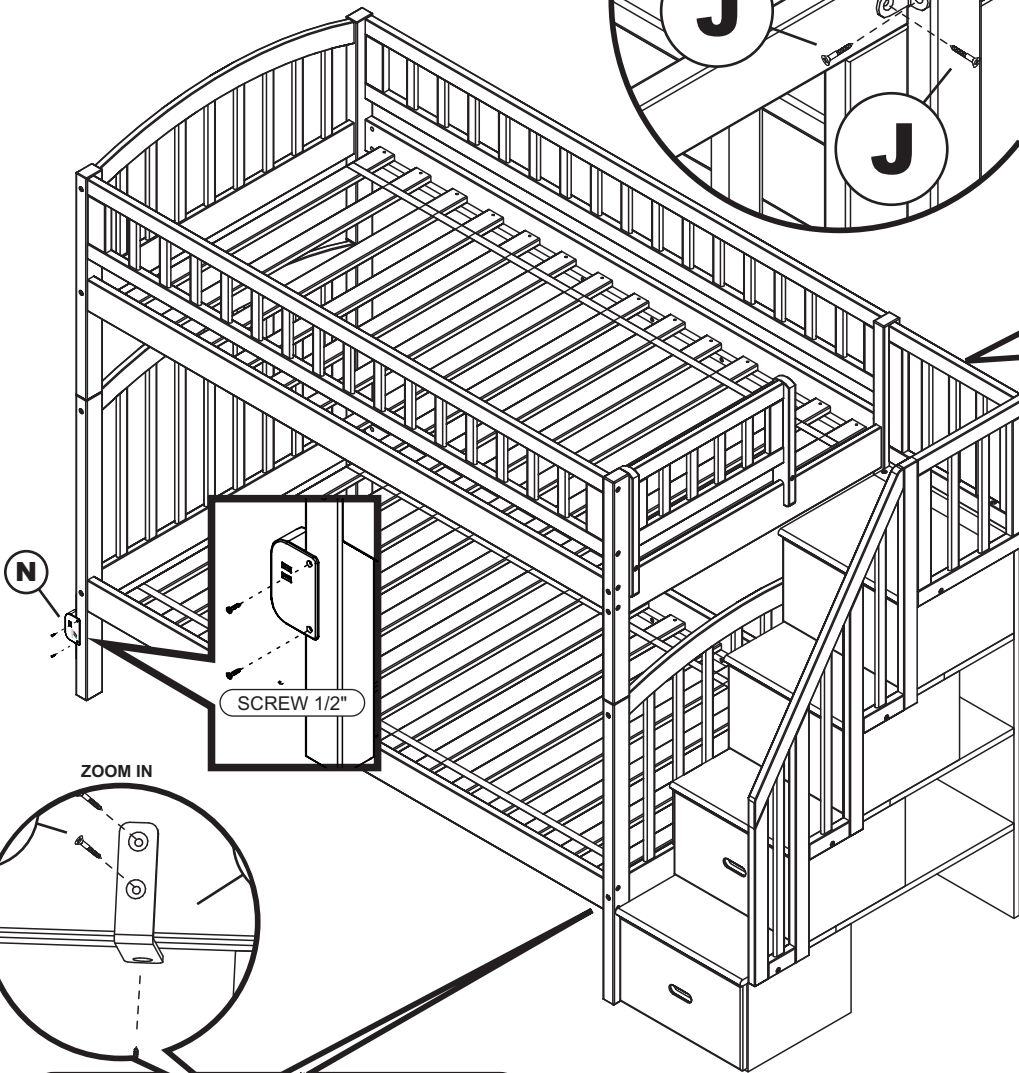
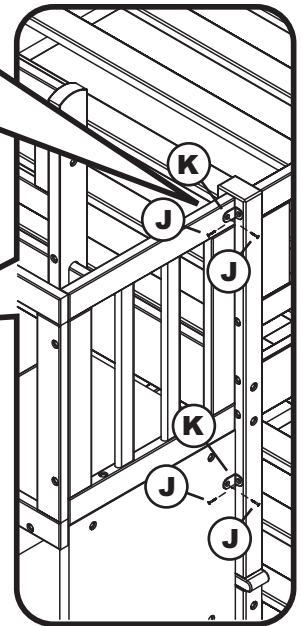
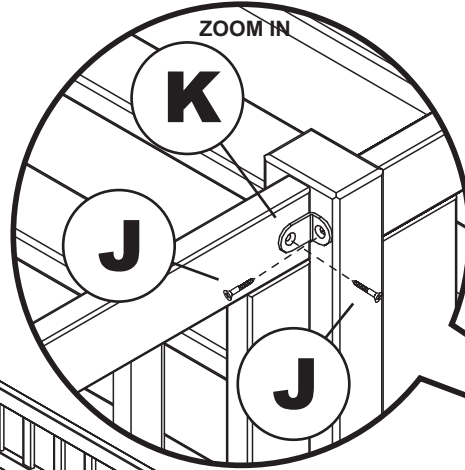
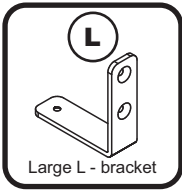
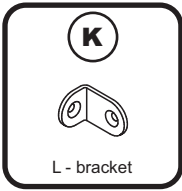


Allen wrench

TWIN - TWIN

**STEP 15**

Move the bunk bed and staircase bookshelf assemblies where you want to place them in the room. Attach staircase bookshelf assembly to the bunk bed assembly as shown below. Fix L bracket (K) to upper, lower bunk panel using wood screws (J) as shown. Fix large L bracket (L) as shown. Lastly, Install USB charger (N) to the location as shown below. Using 1/2" screws and tighten with Phillips head screw driver. (Customer supplied)



**Congratulations!**

Your staircase bookshelf bunk bed is now ready for use. We recommend that you periodically check that all screws are tight and all parts are secure to ensure lasting safety.

## ASSEMBLY INSTRUCTION ( TWIN SET OF 2 )

Before assembling your bed slat kit, please read through these instructions carefully and familiarize yourself with the different parts.

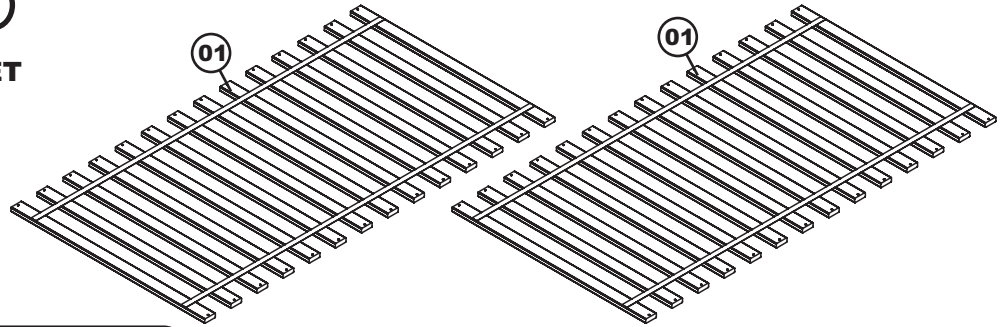
Please note that you will require a Phillips screwdriver.

**ATTENTION!** If you receive a damaged or defective item, please contact afifurnishings at customerservice@afifurnishings.com or 1-800-955-3726



### PARTS LIST

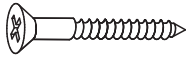
**01 SLAT KIT 2 SET**



CODE	ITEM
SL-PF	E-65200

NOTE: WE INCLUDE SPARE HARDWARE IN CASE DAMAGE OCCURS DURING ASSEMBLY.

**A**



1 1/4" Wood screw - 56 pcs  
Spare - 4 pcs

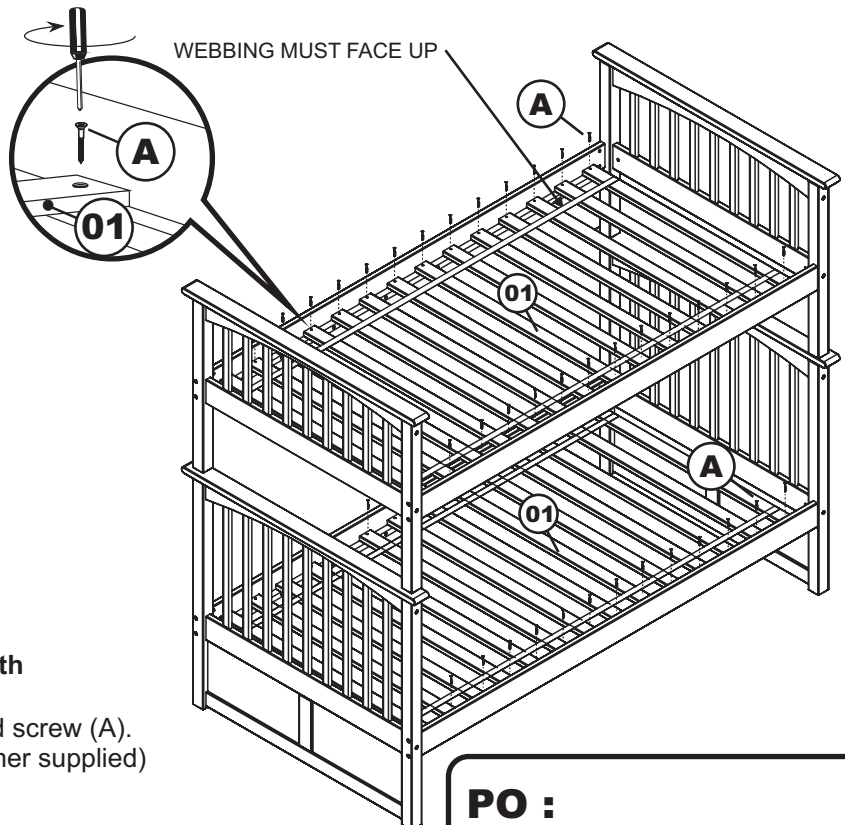
**HARDWARE**

### Step 1

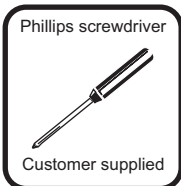
Assemble bunk bed according to assembly instructions.

### Step 2

Lay the slat kit onto the bed.



**PO :**



**Be sure to align slat kit evenly with both ends of side rail.**

Screw slat kit (01) to side rail, using wood screw (A). Tighten with Phillips screwdriver. (Customer supplied)

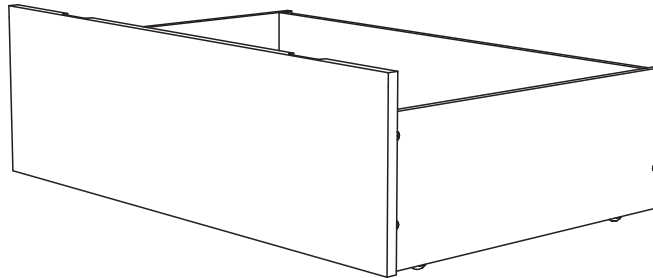
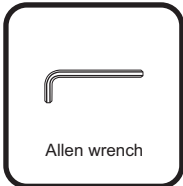
Be sure the space between slats is even.

**NOTE: WEBBING MUST FACE UP**

## ASSEMBLY INSTRUCTIONS

Before assembling your bed drawer, please read through these instructions carefully, familiarize yourself with the different parts.

**ATTENTION!** If you receive a damaged or defective item, please contact afifurnishings at customerservice@afifurnishings.com or 1-800-955-3726



NOTE : WE INCLUDE SPARE HARDWARE IN CASE DAMAGE OCCURS DURING ASSEMBLY.

HARDWARE



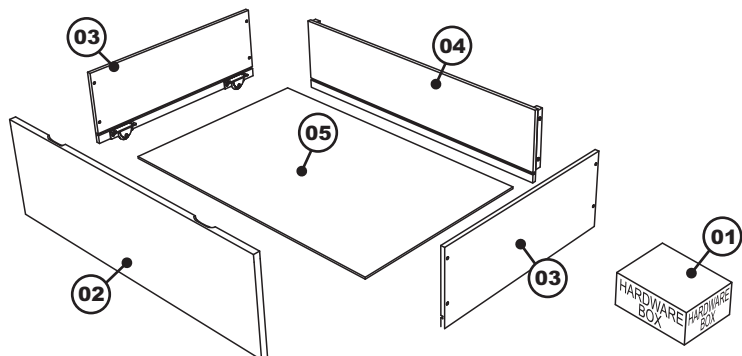
**(A)** JCB M6 X 1 1/8" ( 30mm ) - 16 pcs  
Spare - 2 pcs



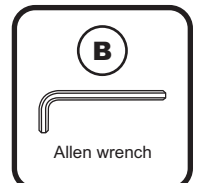
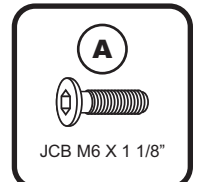
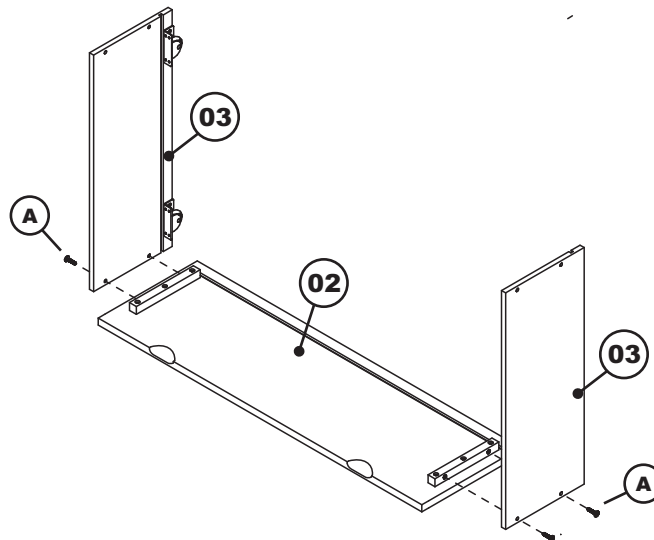
**(B)** Allen wrench - 1 pc  
Spare - 1 pc

## PARTS LIST

- (01) HARDWARE 1 BOX**
- (02) DRAWER FACE 2 PCS**
- (03) DRAWER SIDE 4 PCS**
- (04) DRAWER BACK 2 PCS**
- (05) DRAWER BOTTOM 2 PCS**



**Step 1** Lay the drawer face (02) on smooth, flat surface so the groove is facing upwards. Fit the drawer side (03) to drawer face (02), Use JCB M6 X 1 1/8" (A), align groove inside panel with groove in drawer face. Tighten with Allen wrench (B).

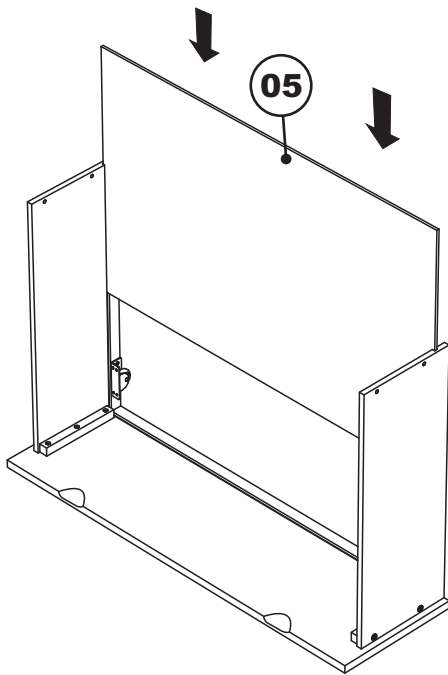


**PO :**

CODE	ITEM	ITEM
ST-DR-UBN	E-6683X	E-6684X

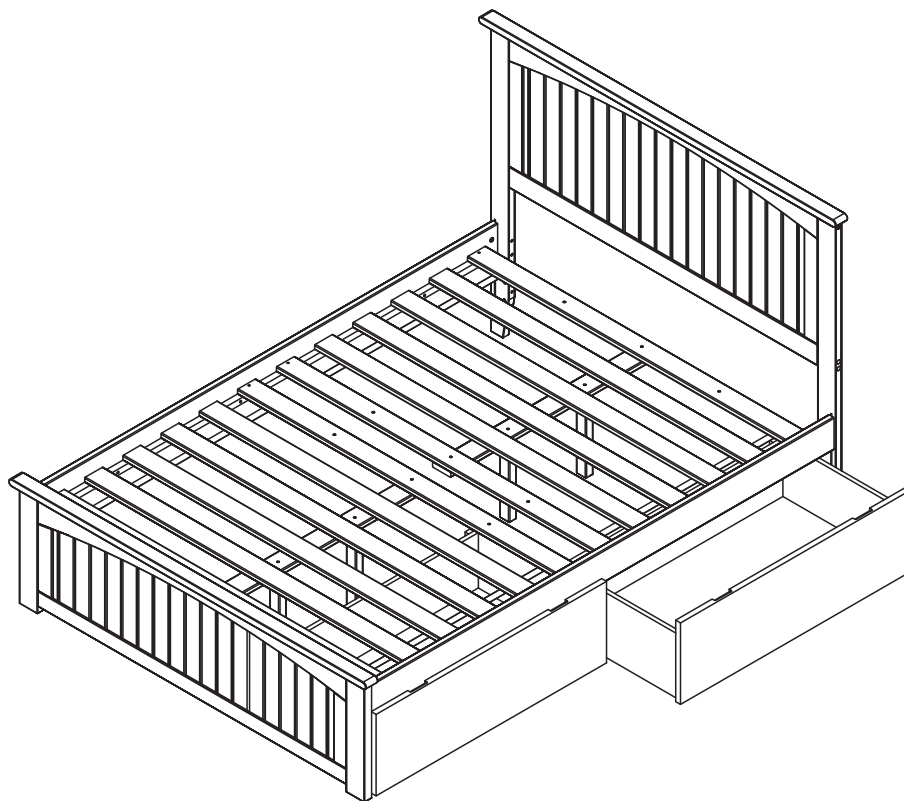
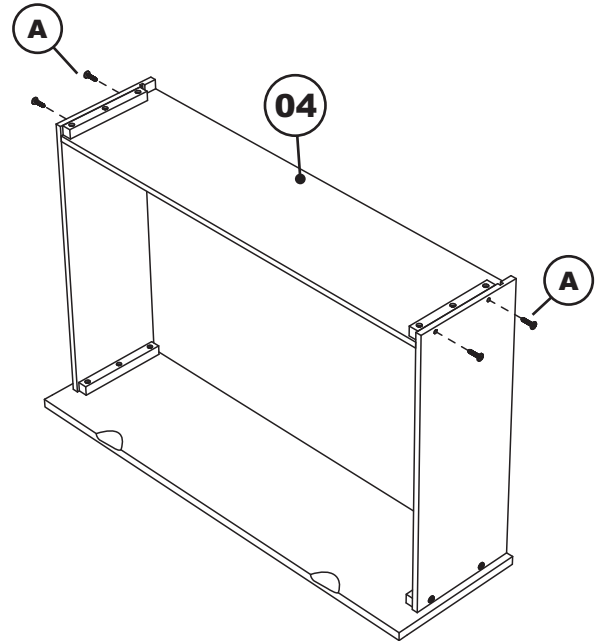
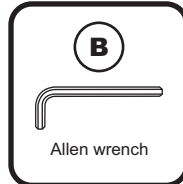
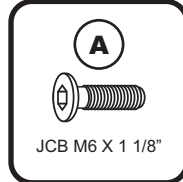
## Step 2

Guide the drawer bottom (05) in carefully so that it won't jump out of its grooves. Be sure it fits fully into its groove at the bottom (in the drawer face) before fitting the drawer back.



## Step 3

Attach drawer back (04) to bed drawer assembly as shown. Use JCB M6 X 1 1/8" (A). Tighten with Allen wrench (B).



## Congratulations!

Your Urban lifestyle bed drawers are now ready for use.  
We recommend that you recheck that all screws are tight