

## ASSEMBLY INSTRUCTIONS

Before assembling your bed frame, please read through these instructions carefully and familiarize yourself with the different parts.

**ATTENTION!** If you receive a damaged or defective item, please contact afifurnishings at [customerservice@afifurnishings.com](mailto:customerservice@afifurnishings.com) or 1-800-955-3726



Instructions apply for all bed sizes  
Twin > Twin XL > Full > Queen > King

### PARTS LIST

### HARDWARE

- 1 END RAIL 1 PC**
- 2 TALL LEG 2 PCS**
- 3 SHORT LEG 2 PCS**
- 4 SIDE RAIL 2 PCS**

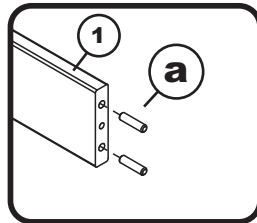
- (a)** Wooden dowels - 4 pcs  
Spare - 1 pc
- (b)** JCB M6 X 100mm (4") - 2 pcs  
Spare - 1 pc
- (c)** Barrel nut - 2 pcs  
Spare - 1 pc

- (d)** Wood button - 2 pcs  
Spare - 1 pc
- (e)** Allen wrench - 1pc  
Spare - 1pc

NOTE: WE INCLUDE SPARE HARDWARE IN CASE DAMAGE OCCURS DURING ASSEMBLY.

### Step 1

Insert wooden dowels (a) into the locator holes on (1) both ends of end rail.

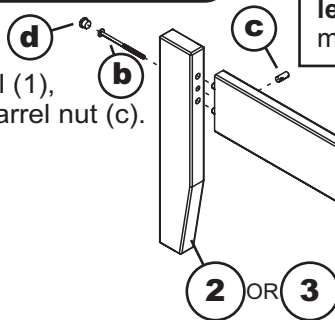


Choose the **tall legs** when using storage drawers, Trundle bed or mattress only, choose the **short legs** if using both foundation and mattress.



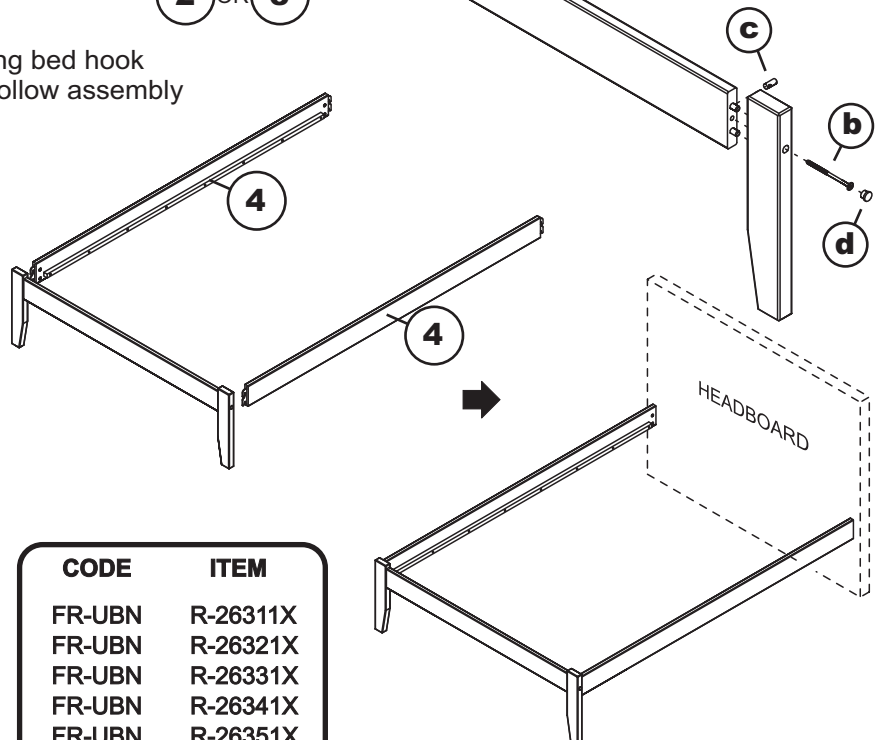
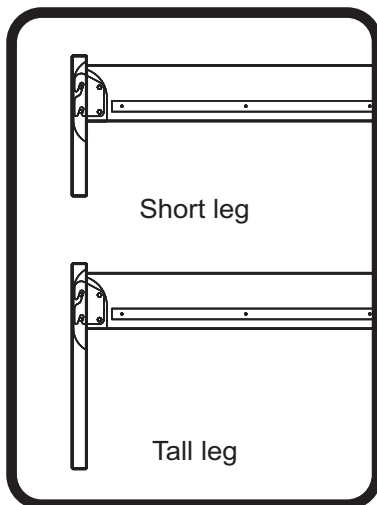
### Step 2

Attach the legs (2) or (3) to end rail (1), using JCB M6 X 100mm (b) and barrel nut (c). Tighten with the Allen wrench (e). Cover holes with wood button (d).



### Step 3

Attach side rails (4) to the end rail using bed hook as shown. For headboard assembly, follow assembly instructions included with headboard.



| CODE   | ITEM     |
|--------|----------|
| FR-UBN | R-26311X |
| FR-UBN | R-26321X |
| FR-UBN | R-26331X |
| FR-UBN | R-26341X |
| FR-UBN | R-26351X |

**PO:**

## ASSEMBLY INSTRUCTIONS



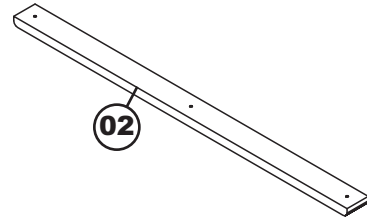
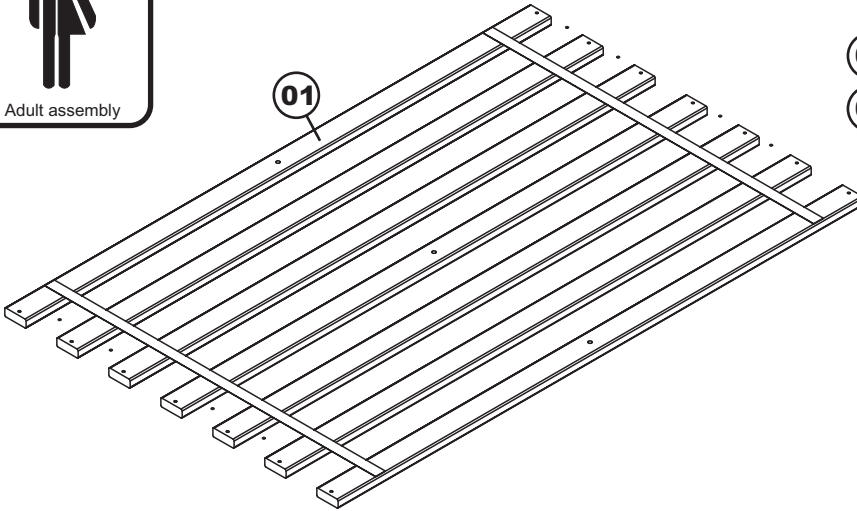
Before assembling your bed slat kit, please read through these instructions carefully and familiarize yourself with the different parts. Please note that you will require a Phillips screwdriver and an Allen wrench.

**ATTENTION!** If you receive a damaged or defective item, please contact afifurnishings at customerservice@afifurnishings.com or 1-800-955-3726



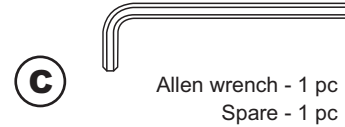
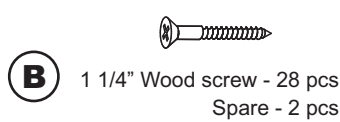
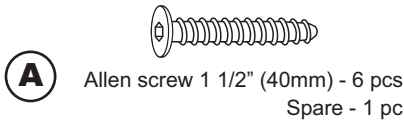
### PARTS LIST

|    |              |       |
|----|--------------|-------|
| 01 | SLAT SECTION | 2 SET |
| 02 | SUPPORT RAIL | 2 PCS |

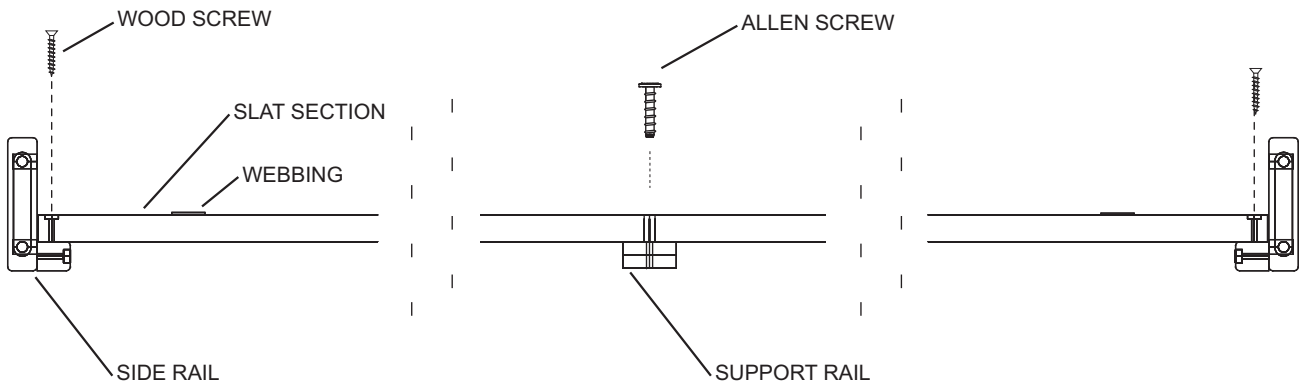


NOTE: WE INCLUDE SPARE HARDWARE IN CASE THE WOOD SCREWS ARE DAMAGED DURING ASSEMBLY.

### HARDWARE



### DETAIL ASSEMBLE VIEW



CODE SL-PF  
ITEM E-65300

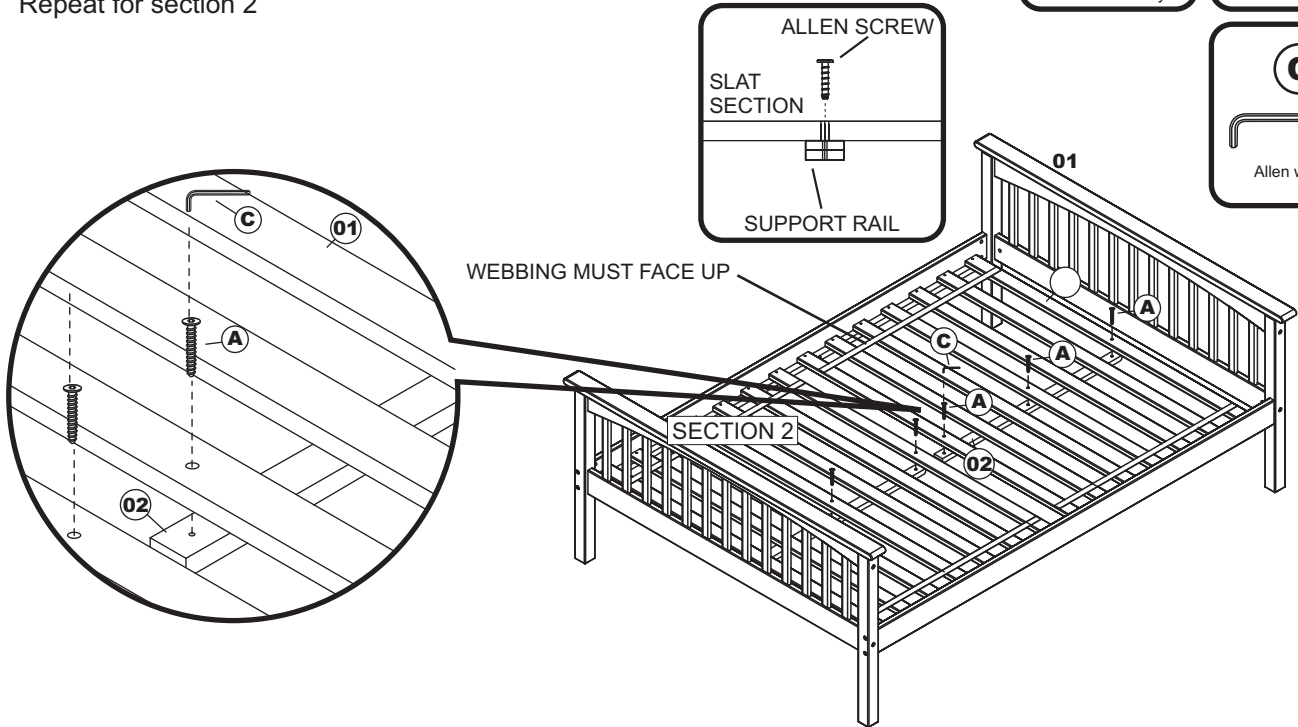
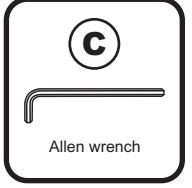
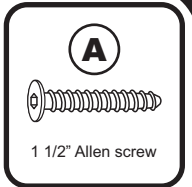
PO :

### Step 1

Assemble bed frame according to assembly instructions.

## Step 2

Lay the slat section onto the bed as shown. Attach support rail (02) to slat section (01) using Allen screw (A), tighten with the Allen wrench (C). Repeat for section 2



## Step 3

**Be sure to align slat section evenly with both ends of side rail.**

Screw slat section (01) to side rail, using wood screw (B). Tighten with Phillips screwdriver. (Customer supplied)

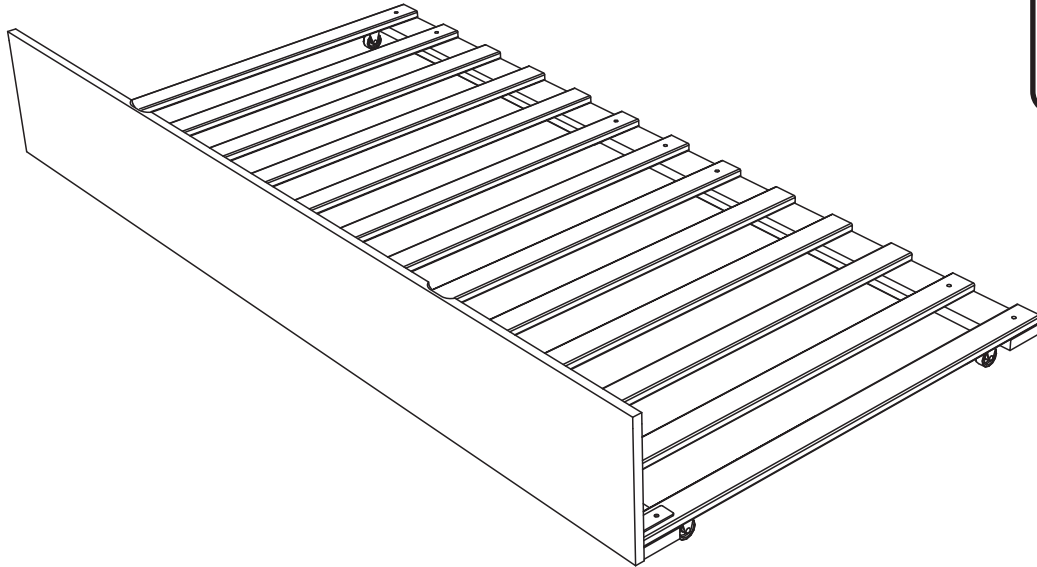
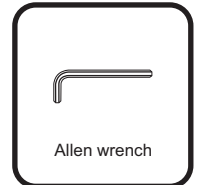
Be sure the space between slats is even.



## ASSEMBLY INSTRUCTIONS

Before assembling your Trundle bed, please read through these instructions carefully. Familiarize yourself with the different parts.

**ATTENTION!** If you receive a damaged or defective item, please contact afifurnishings at customerservice@afifurnishings.com or 1-800-955-3726



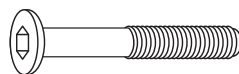
**PO :**

| CODE      | ITEM    |
|-----------|---------|
| ST-TD-UBN | E-6710X |

## HARDWARE

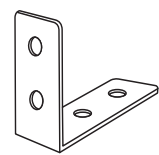
NOTE: WE INCLUDE SPARE HARDWARE IN CASE DAMAGE OCCURS DURING ASSEMBLY.

**A**



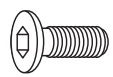
JCB M6 X 1 5/8" ( 40mm ) - 17 pcs  
Spare - 2 pcs

**C**




L Bracket - 3 pcs

**B**



JCB M6 X 5/8" ( 15mm ) - 6 pcs  
Spare - 2 pcs  
Fix L bracket to front panel

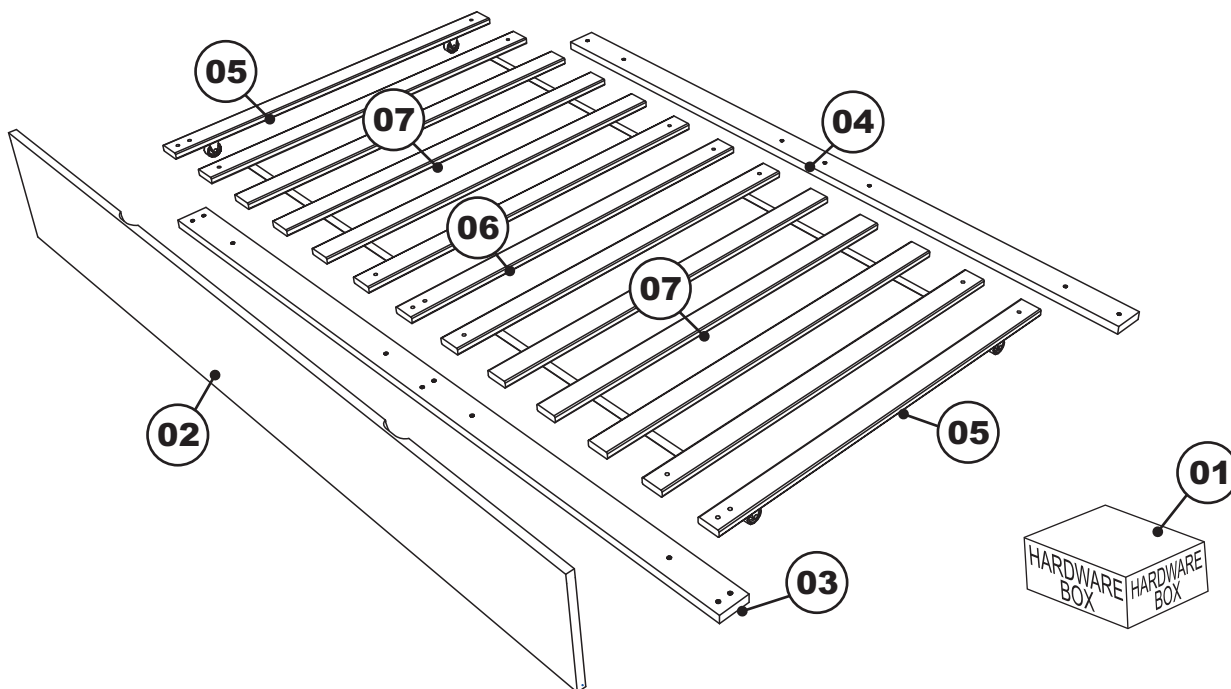
**D**



Allen wrench - 1 pc  
Spare - 1 pc

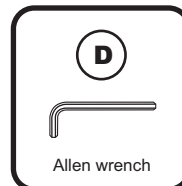
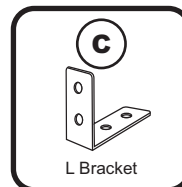
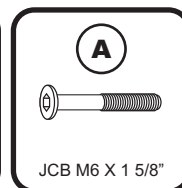
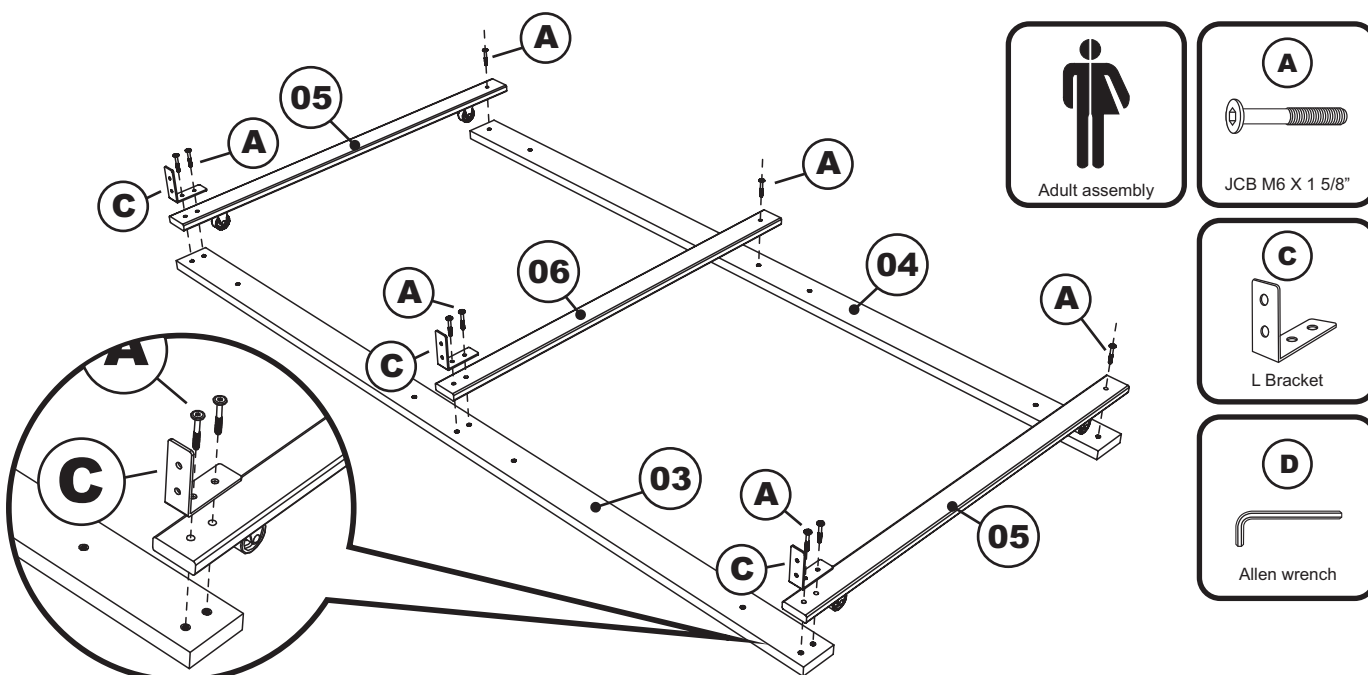
## PARTS LIST

|           |                    |              |           |                          |              |
|-----------|--------------------|--------------|-----------|--------------------------|--------------|
| <b>01</b> | <b>HARDWARE</b>    | <b>1 BOX</b> | <b>05</b> | <b>SIDE CROSS RAIL</b>   | <b>2 PCS</b> |
| <b>02</b> | <b>FRONT PANEL</b> | <b>1 PC</b>  | <b>06</b> | <b>CENTER CROSS RAIL</b> | <b>1 PC</b>  |
| <b>03</b> | <b>FRONT RAIL</b>  | <b>1 PC</b>  | <b>07</b> | <b>SLAT KIT</b>          | <b>2 SET</b> |
| <b>04</b> | <b>BACK RAIL</b>   | <b>1 PC</b>  |           |                          |              |



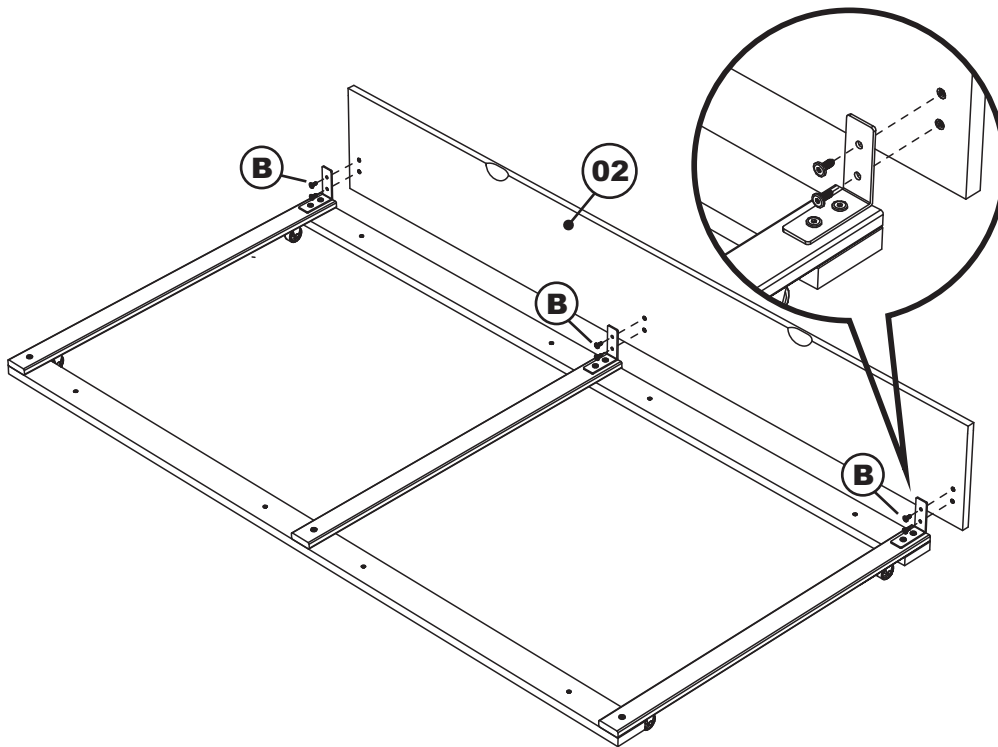
### Step 1

Attach the side cross rails (05) and center cross rail (06) to the front and back rail (03)(04), using L bracket (C), JCB M6 X 1 5/8" (A). Tighten with the Allen wrench (D).



## Step 2

Attach the front panel (02) to the front rail as shown, using JCB M6 X 5/8" (B). Tighten with the Allen wrench (D).



Adult assembly

B



JCB M6 X 5/8"

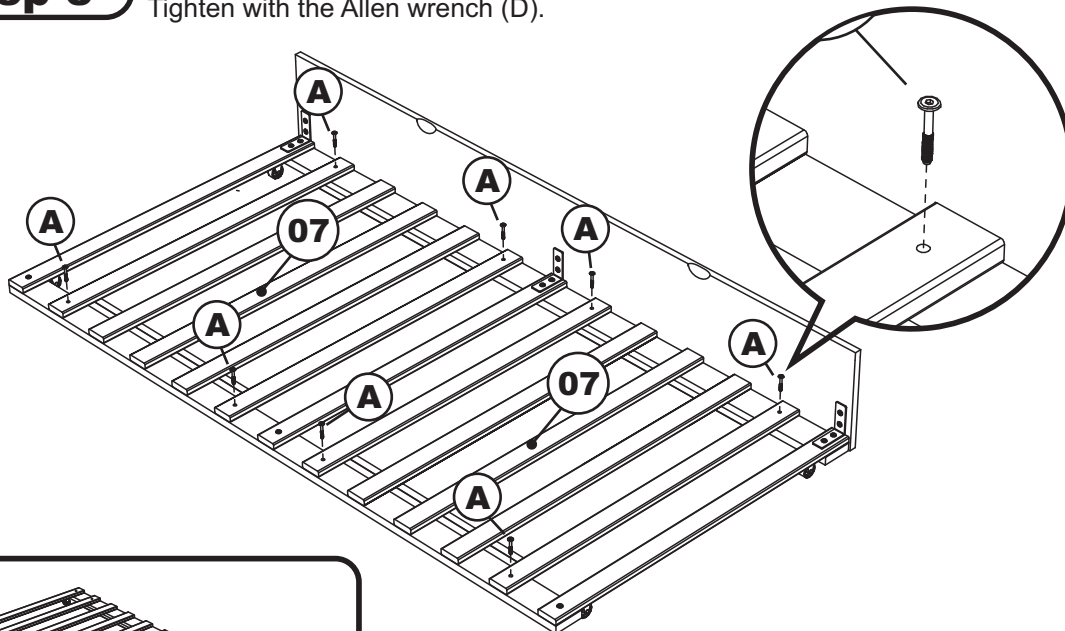
D



Allen wrench

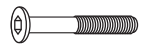
## Step 3

Lay the slat kit (07) onto the rail assembly as shown, using JCB M6 X 1 5/8" (A). Tighten with the Allen wrench (D).



Adult assembly

A

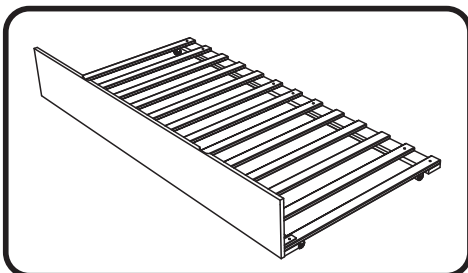


JCB M6 X 1 5/8"

D



Allen wrench



### Congratulations!

Your Trundle bed is now ready for use.

We recommend that you periodically check that all screws are tight and all parts are secure to ensure lasting safety.