

HEADBOARD

ASSEMBLY INSTRUCTIONS

Before assembling your headboard, please read through these instructions carefully and familiarize yourself with the different parts.

ATTENTION! If you receive a damaged or defective item, please contact afifurnishings at customerservice@afifurnishings.com or 1-800-955-3726



PARTS LIST

- 1 HEADBOARD PANEL 1 PC
- 2 LEFT LEG 1 PC
- 3 RIGHT LEG 1 PC

Instructions apply for bed sizes
TWIN > FULL > QUEEN > KING

HARDWARE

- A** Wooden dowel - 4 pcs
Spare - 1 pc
- B** JCB M6 X 35mm (1 3/8") - 4 pcs
Spare - 1 pc
- F** Allen wrench - 1pc
Spare - 1pc

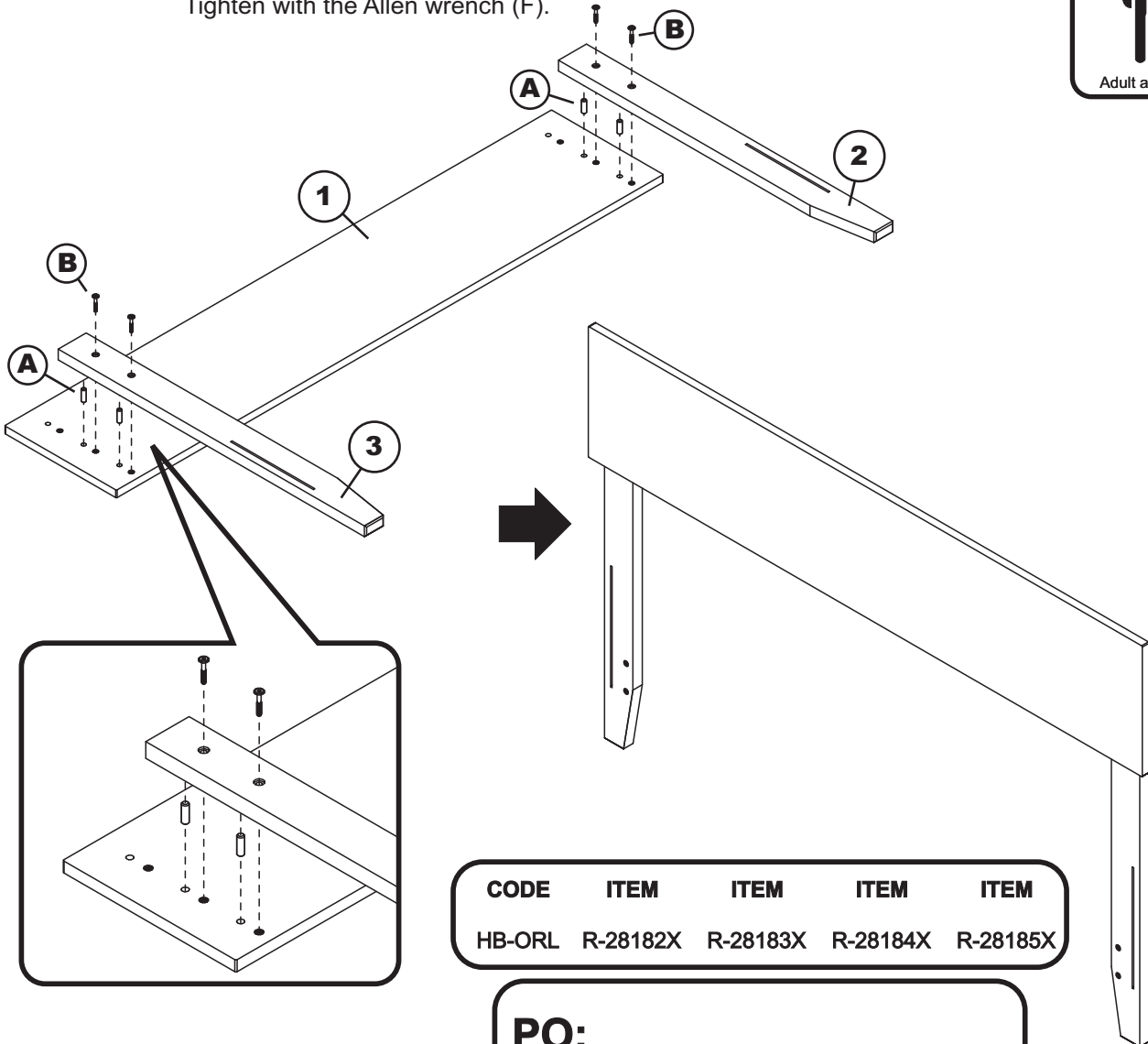
HARDWARE FOR METAL BED FRAME

- C** JCB M6 X 25mm (1") - 4 pcs
Spare - 1 pc
- D** Flat washer - 4 pcs
Spare - 1 pc
- E** Split washer - 4 pcs
Spare - 1 pc

NOTE: WE INCLUDE SPARE HARDWARE IN CASE DAMAGE OCCURS DURING ASSEMBLY.

Step 1

Attach the legs (2) and (3) to headboard panel (1), using wooden dowels (A) and JCB (B). Tighten with the Allen wrench (F).



PO:

If you purchased a wood headboard to attach to metal bed frame, please refer to page 2.

ASSEMBLY INSTRUCTION (TWIN)

Before assembling your bed slat kit, please read through these instructions carefully and familiarize yourself with the different parts.

Please note that you will require a Phillips screwdriver.

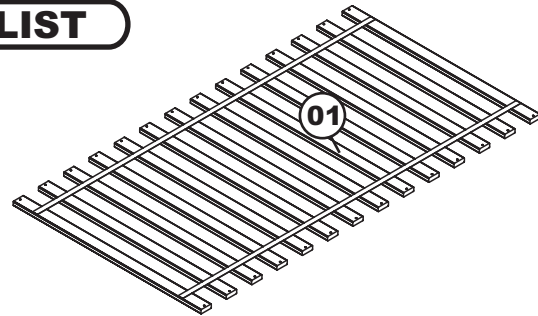
ATTENTION! If you receive a damaged or defective item, please contact afifurnishings at customerservice@afifurnishings.com or 1-800-955-3726



PARTS LIST

01 SLAT KIT 1 SET

CODE	ITEM
SL-PF	E-65000



NOTE: WE INCLUDE SPARE HARDWARE IN CASE DAMAGE OCCURS DURING ASSEMBLY.

A



1 1/4" Wood screw - 28 pcs Spare - 2 pcs

HARDWARE

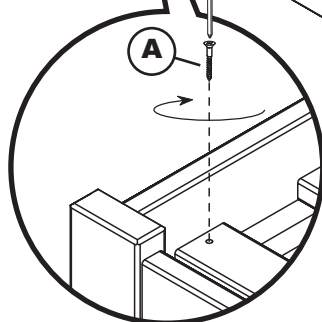
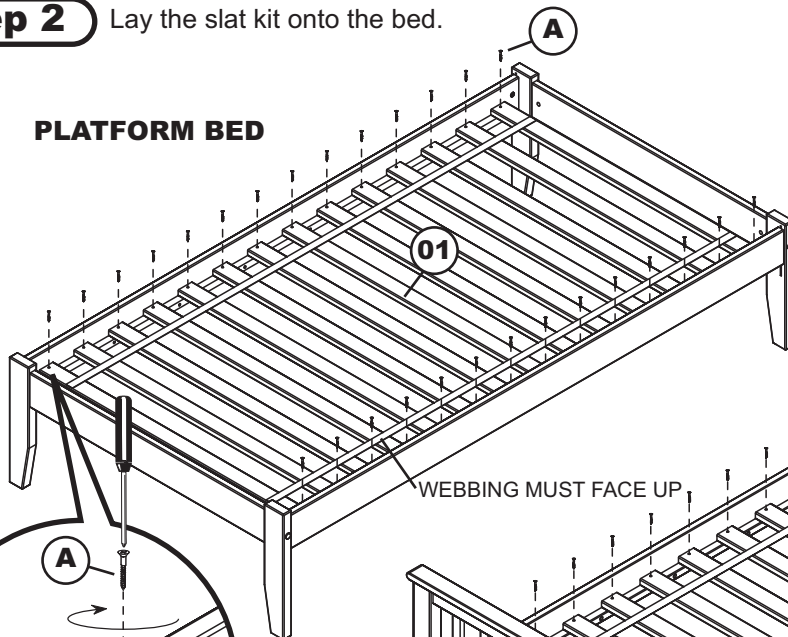
Step 1

Assemble bed frame or bunk bed according to assembly instructions.

Step 2

Lay the slat kit onto the bed.

PLATFORM BED



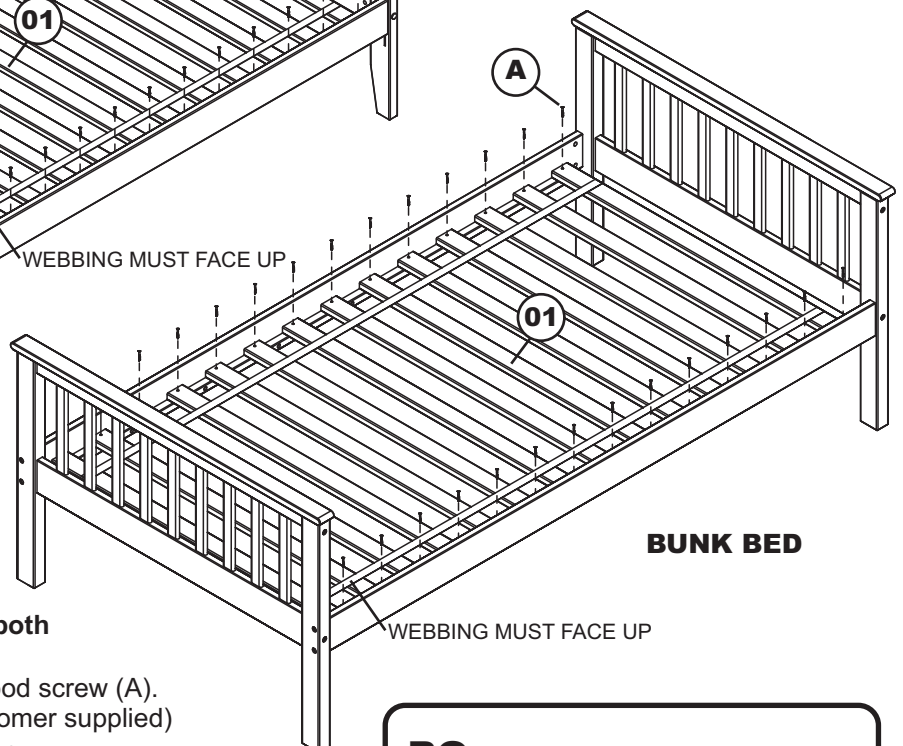
Be sure to align slat kit evenly with both ends of side rail.

Screw slat kit (01) to side rail, using wood screw (A). Tighten with Phillips screwdriver. (Customer supplied)
Be sure the space between slats is even.

NOTE: WEBBING MUST FACE UP



BUNK BED

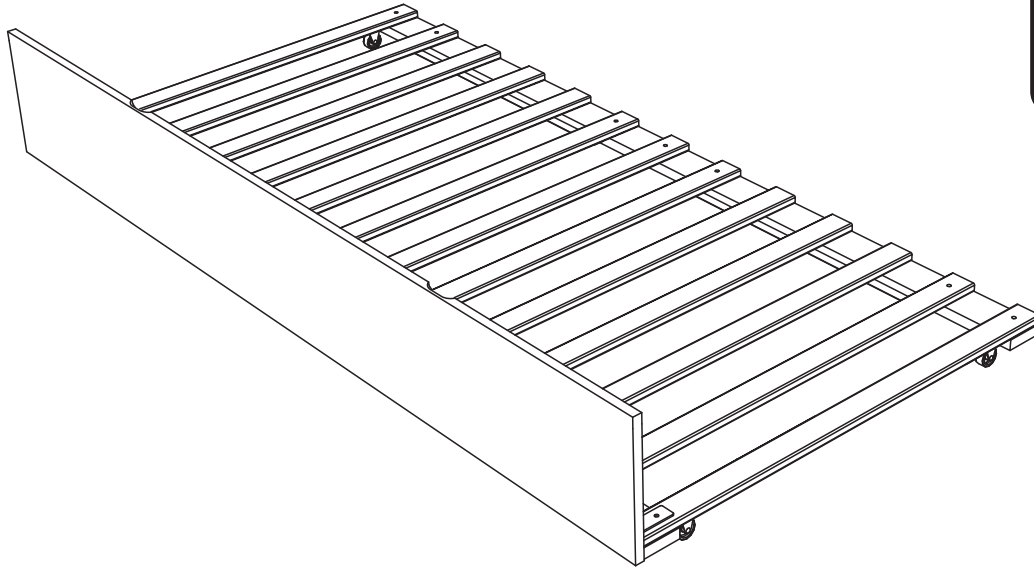
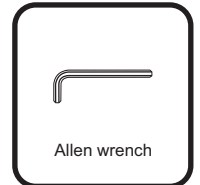


PO :

ASSEMBLY INSTRUCTIONS

Before assembling your Trundle bed, please read through these instructions carefully. Familiarize yourself with the different parts.

ATTENTION! If you receive a damaged or defective item, please contact afifurnishings at customerservice@afifurnishings.com or 1-800-955-3726

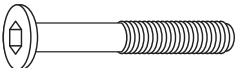


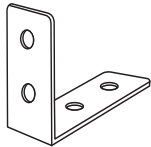
PO :

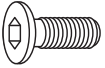
CODE	ITEM
ST-TD-UBN	E-6710X


HARDWARE

NOTE: WE INCLUDE SPARE HARDWARE IN CASE DAMAGE OCCURS DURING ASSEMBLY.

A  JCB M6 X 1 5/8" (40mm) - 17 pcs
Spare - 2 pcs

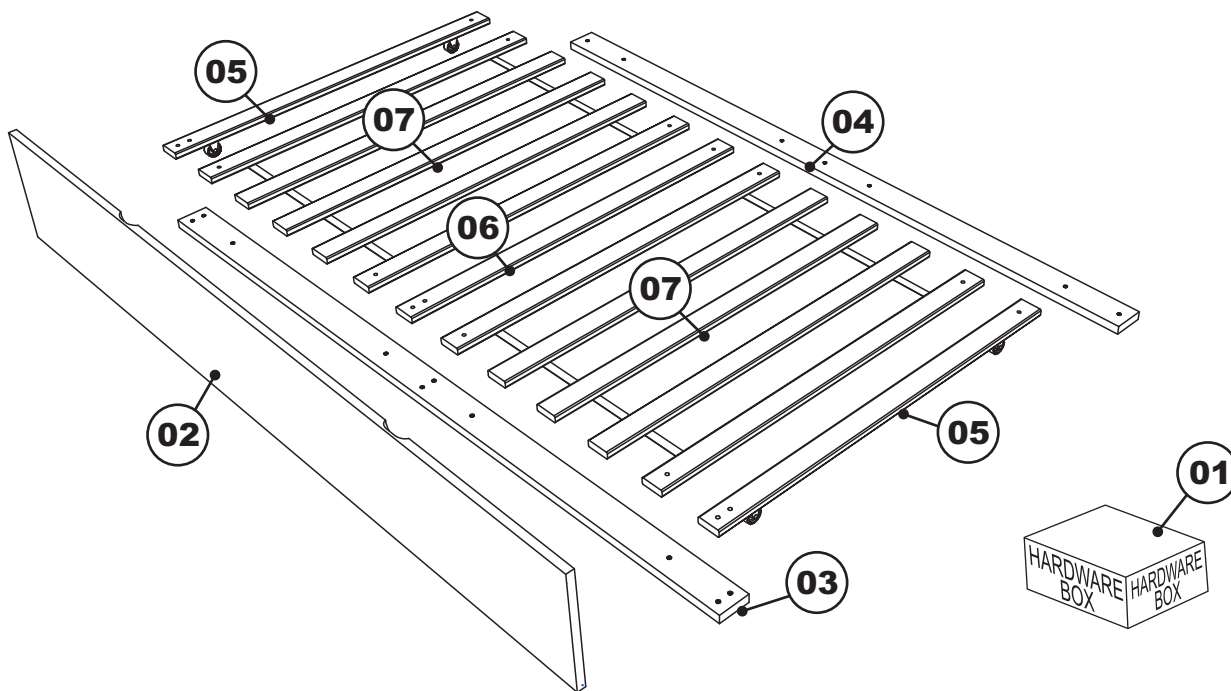
C  L Bracket - 3 pcs

B  JCB M6 X 5/8" (15mm) - 6 pcs
Spare - 2 pcs
Fix L bracket to front panel

D  Allen wrench - 1 pc
Spare - 1 pc

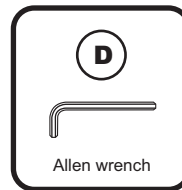
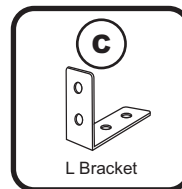
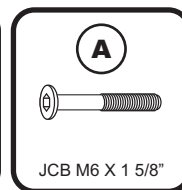
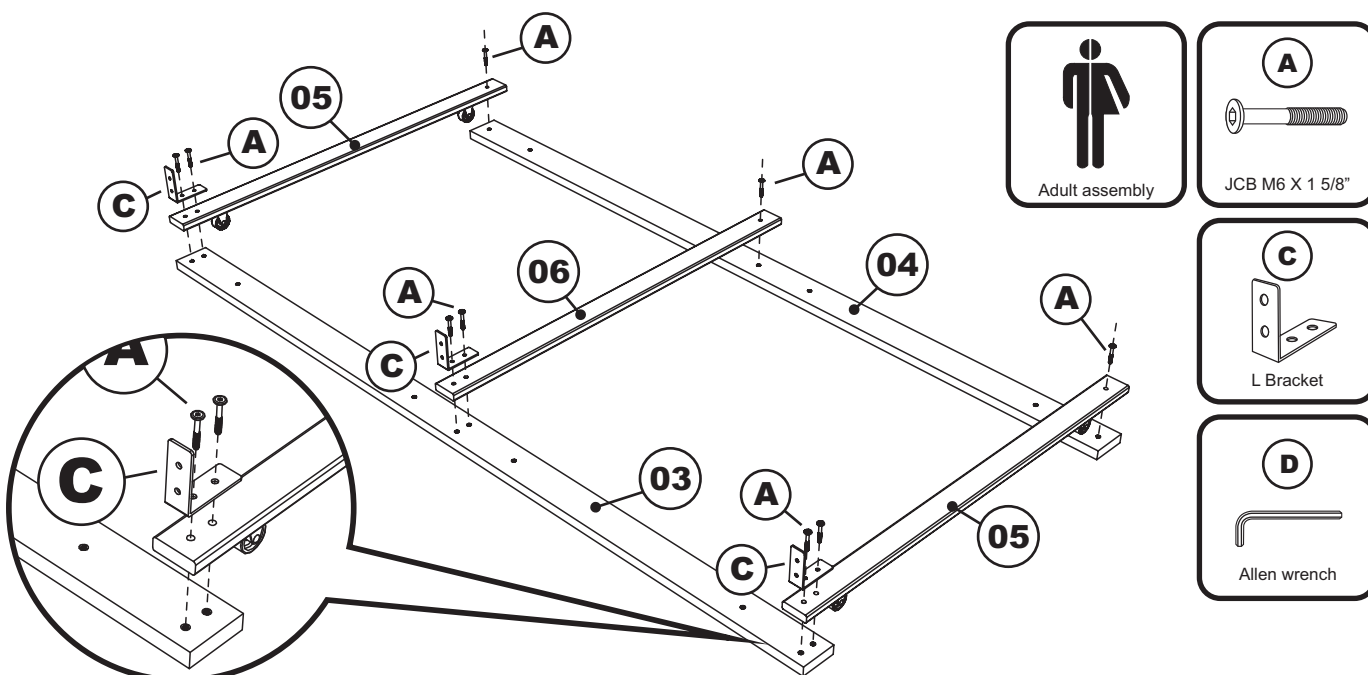
PARTS LIST

01	HARDWARE	1 BOX	05	SIDE CROSS RAIL	2 PCS
02	FRONT PANEL	1 PC	06	CENTER CROSS RAIL	1 PC
03	FRONT RAIL	1 PC	07	SLAT KIT	2 SET
04	BACK RAIL	1 PC			



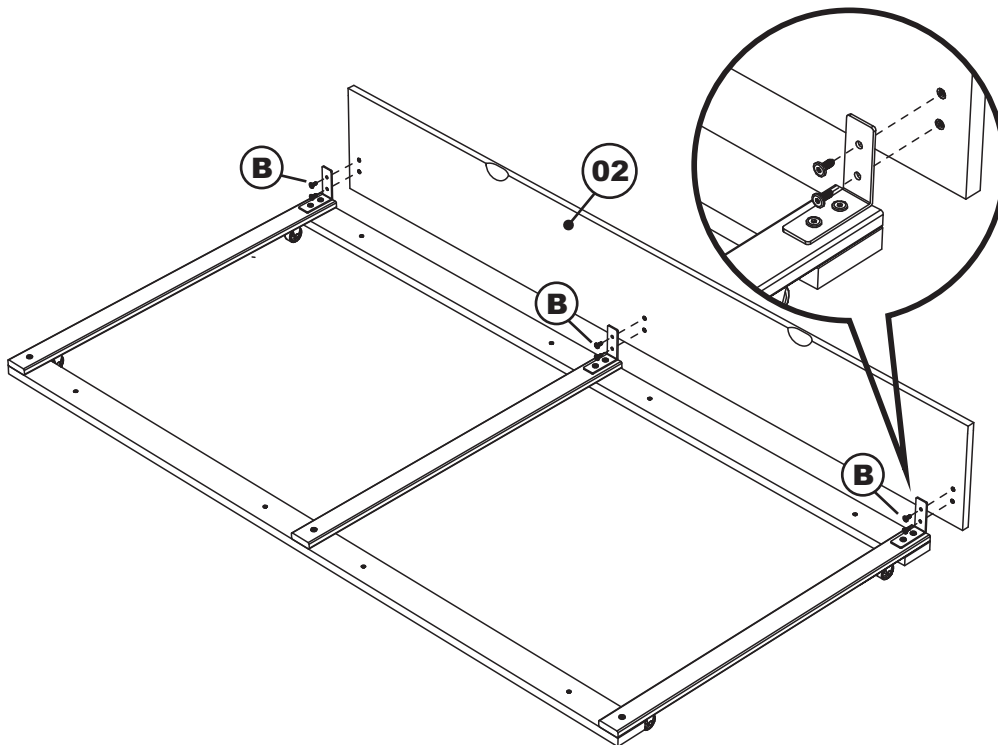
Step 1

Attach the side cross rails (05) and center cross rail (06) to the front and back rail (03)(04), using L bracket (C), JCB M6 X 1 5/8" (A). Tighten with the Allen wrench (D).



Step 2

Attach the front panel (02) to the front rail as shown, using JCB M6 X 5/8" (B). Tighten with the Allen wrench (D).



Adult assembly

B



JCB M6 X 5/8"

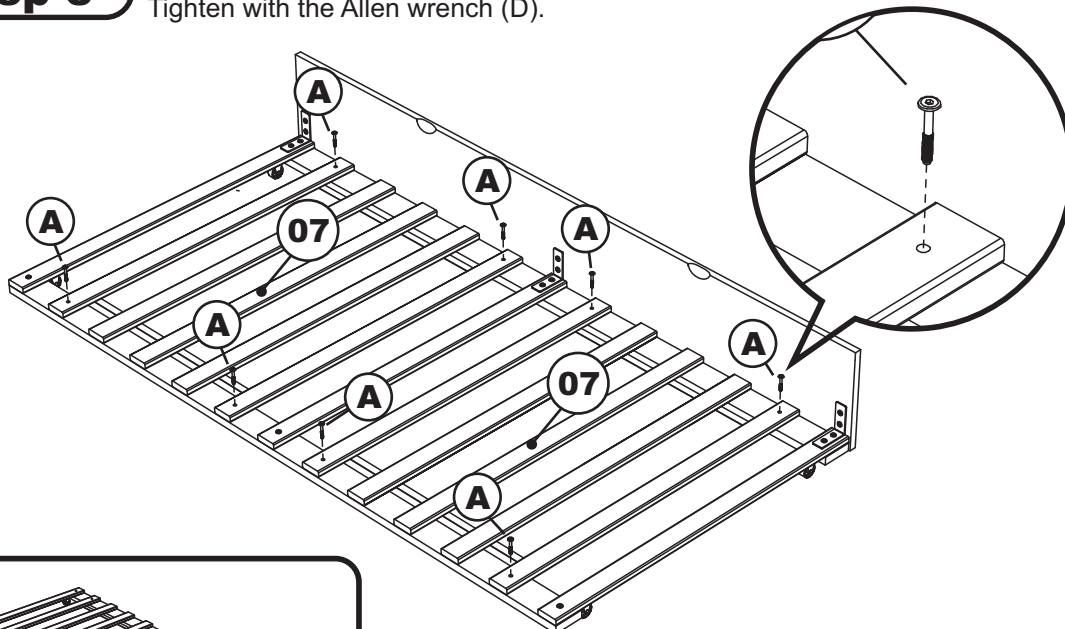
D



Allen wrench

Step 3

Lay the slat kit (07) onto the rail assembly as shown, using JCB M6 X 1 5/8" (A). Tighten with the Allen wrench (D).



Adult assembly

A

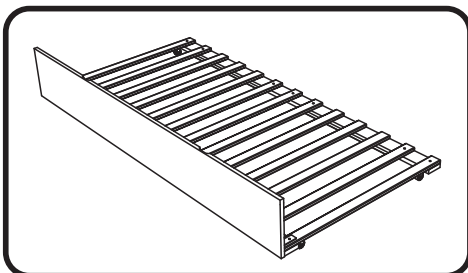


JCB M6 X 1 5/8"

D



Allen wrench



Congratulations!

Your Trundle bed is now ready for use.

We recommend that you periodically check that all screws are tight and all parts are secure to ensure lasting safety.