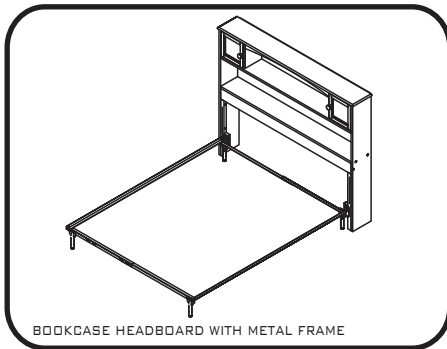
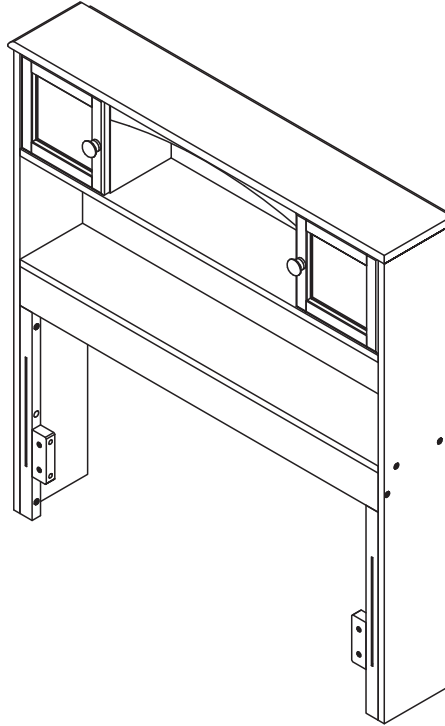


ASSEMBLY INSTRUCTIONS (TWIN, FULL)

Before assembling your newport captain's bookcase headboard, please read through these instructions carefully and familiarize yourself with the different parts.

ATTENTION! If you receive a damaged or defective item, please contact afifurnishings at customerservice@afifurnishings.com or 1-800-955-3726



CODE	ITEM	ITEM
HB-NWP	R-28582X	R-28583X

PO :

HEADBOARD HARDWARE

NOTE: WE INCLUDE SPARE HARDWARE IN CASE DAMAGE OCCURS DURING ASSEMBLY.

- A** JCB M6 X 1 2/8" (30mm) - 4 pcs
Spare - 1 pc
- B** JCB M6 X 1 1/2" (35mm) - 6 pcs
Spare - 1 pc
- C** JCB M6 X 2" (50mm) - 4 pcs
Spare - 1 pc
- D** Wooden dowel 10 X 30mm - 4 pcs
Spare - 1 pc
- E** Wooden dowel 8 X 30mm - 12 pcs
Spare - 1 pc

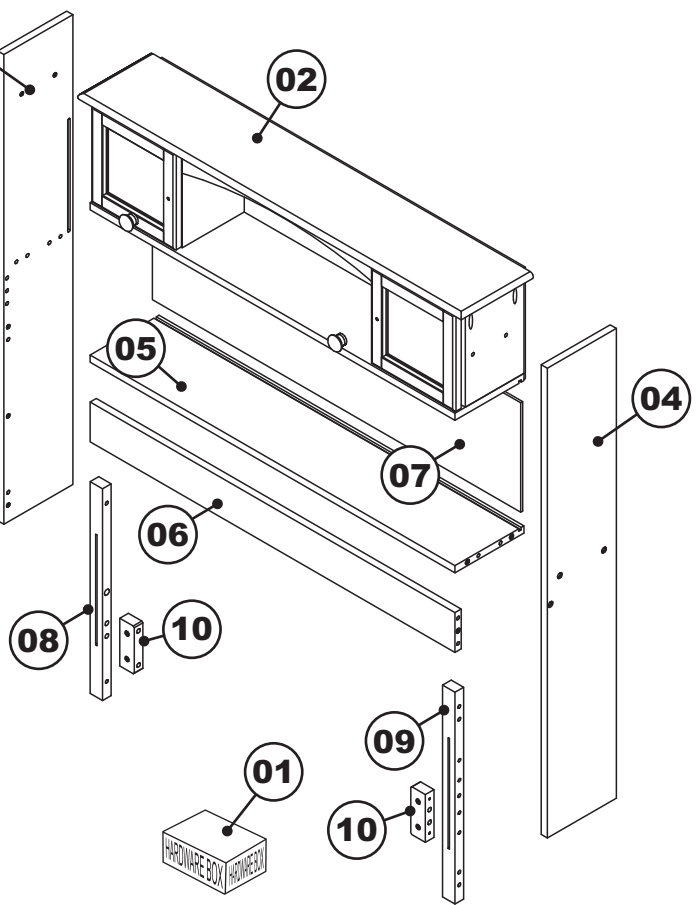
- F** Metal L-Bracket - 3 pcs
- G** Wood screw 1/2" - 6 pcs
Spare - 1 pc
- H** Wood screw 1 1/2" - 4 pcs
Spare - 1 pc
- I** Wooden pull - 2 pcs
- J** Wooden pull screw - 2 pcs

HARDWARE FOR METAL BED FRAME

- K** JCB M6 X 1" (25mm) - 6 pcs
Spare - 1 pc
For post - 2 pcs
For metal bed frame - 4 pcs
- L** Split washer - 4 pcs
Spare - 1 pc
- M** Flat washer - 4 pcs
Spare - 1 pc
- N** Allen wrench - 1 pc
Spare - 1 pc

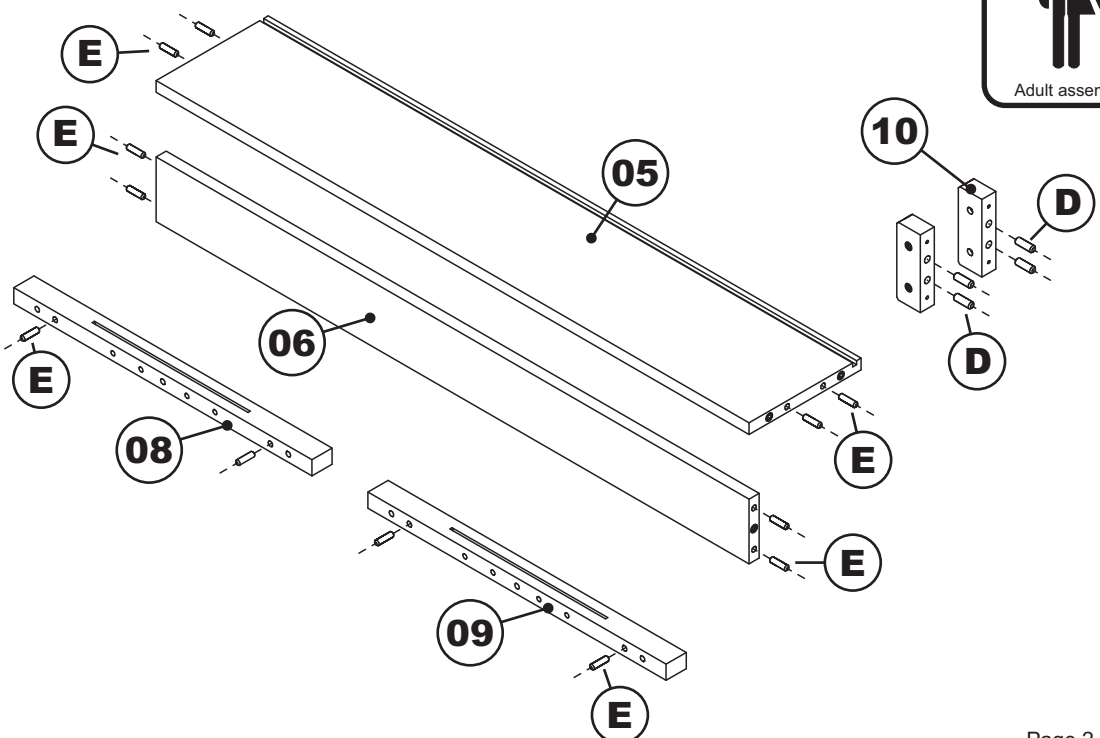
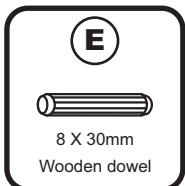
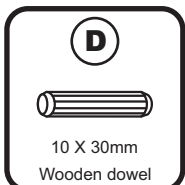
PARTS LIST

- | | | |
|-----------|-------------------------|--------------|
| 01 | HARDWARE | 1 BOX |
| 02 | TOP STORAGE | 1 SET |
| 03 | LEFT SIDE PANEL | 1 PC |
| 04 | RIGHT SIDE PANEL | 1 PC |
| 05 | LOWER SHELF | 1 PC |
| 06 | PILLOW STOP | 1 PC |
| 07 | BACK PANEL | 1 PC |
| 08 | LEFT POST | 1 PC |
| 09 | RIGHT POST | 1 PC |
| 10 | SPACER BLOCK | 2 PCS |



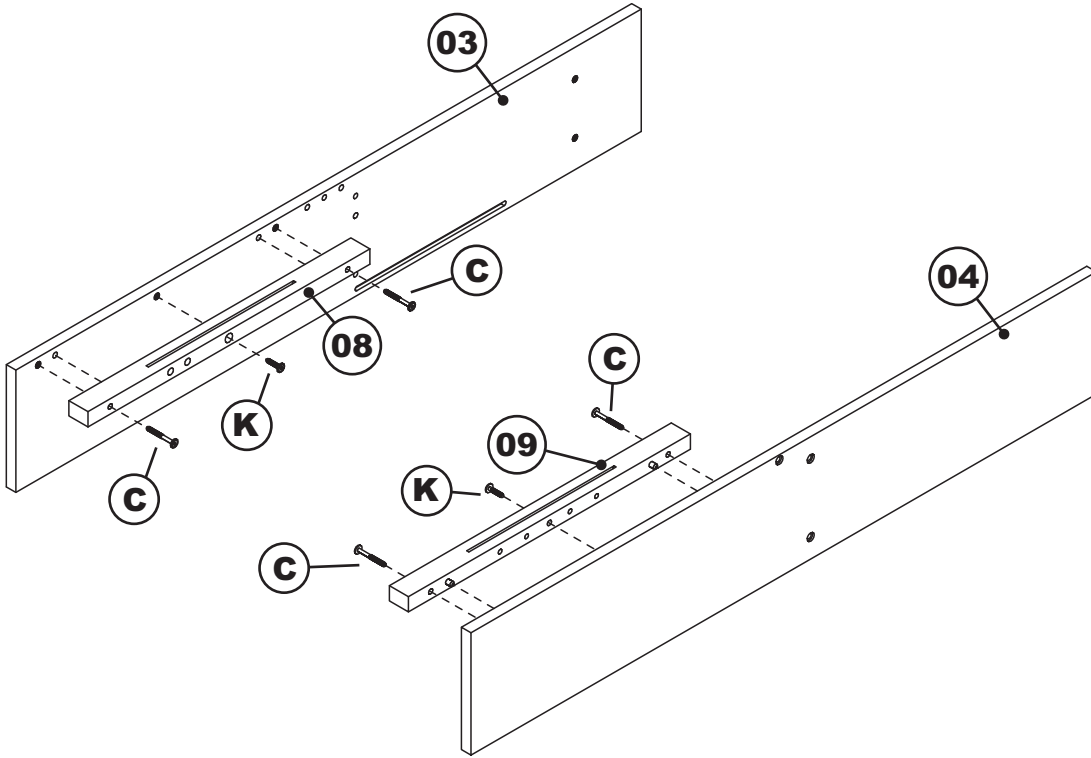
STEP 1

Insert wooden dowels (D) and (E) into locator holes on (05)(06)(08) and (09) as shown below.



STEP 2

Attach the left, right post (08) and (09) to the left, right side panel (03) and (04) as shown below. Using JCB (C) and (K). Tighten with Allen wrench (N).



Adult assembly

C



JCB M6 X 2"

K



JCB M6 X 1"

N

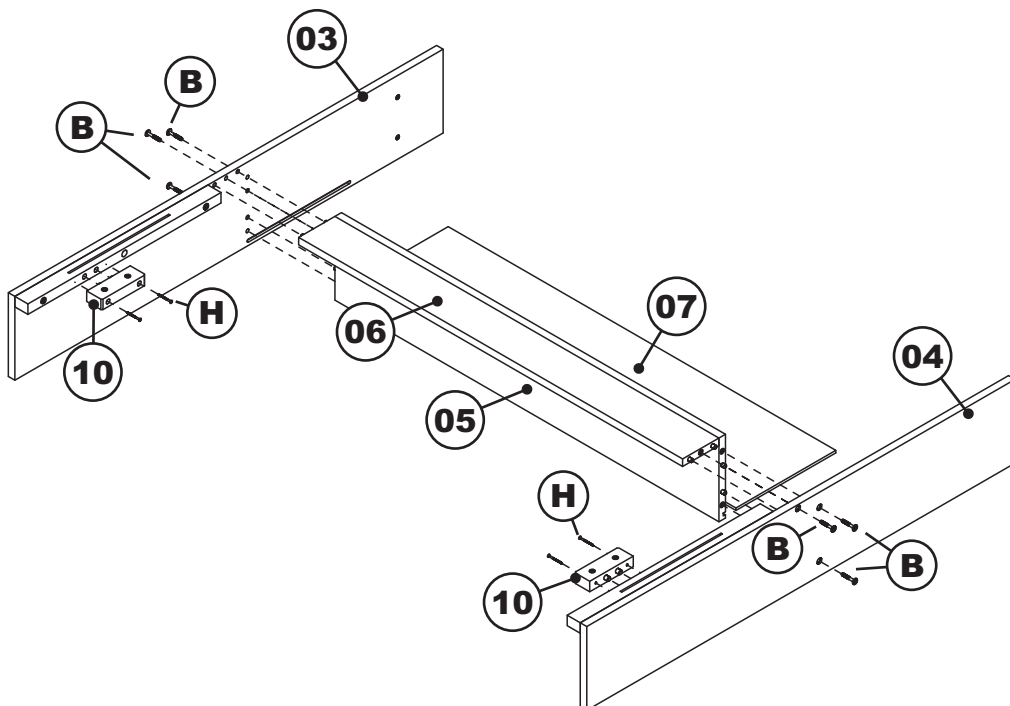


Allen wrench

STEP 3

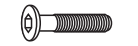
Attach the lower shelf (05), pillow stop (06) & back panel (07) to side panels (03) and (04) as shown below. Using JCB (B), tighten with Allen wrench (N).

Attach the spacer block (10) to side panels (03) and (04) as shown below. Using wood screw (H), tighten with Phillips screwdriver. (customer supplied)



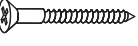
Adult assembly

B



JCB M6 X 1 1/2"

H



Wood screw

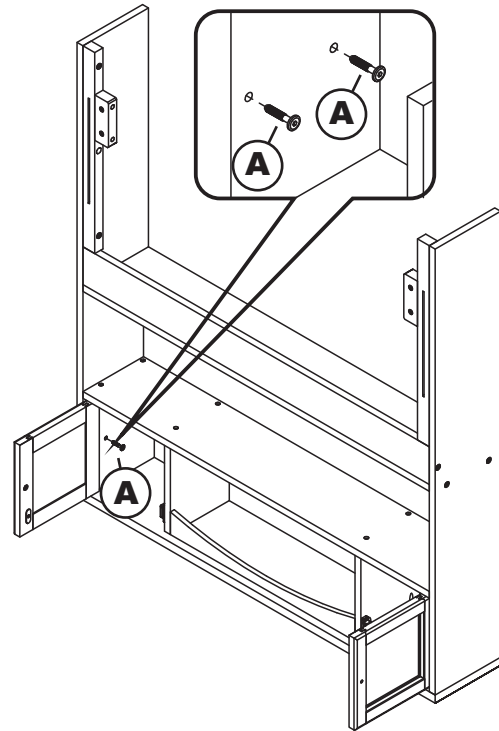
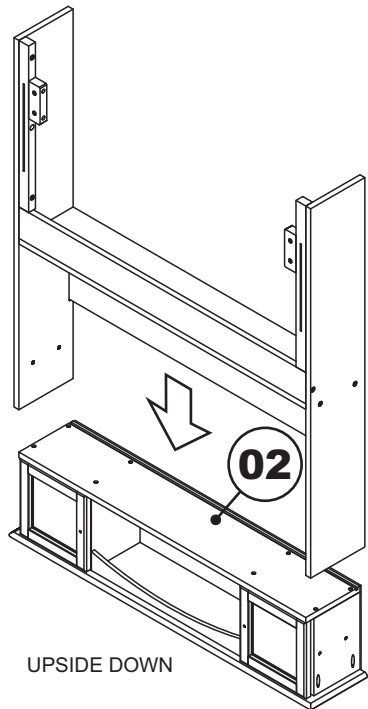
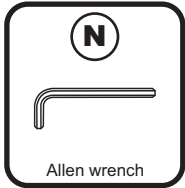
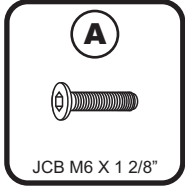
N



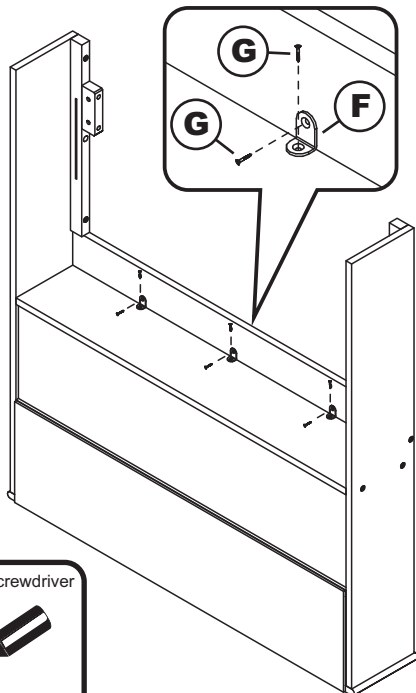
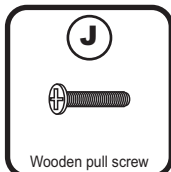
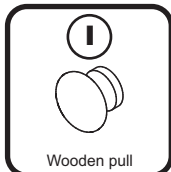
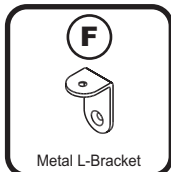
Allen wrench

STEP 4

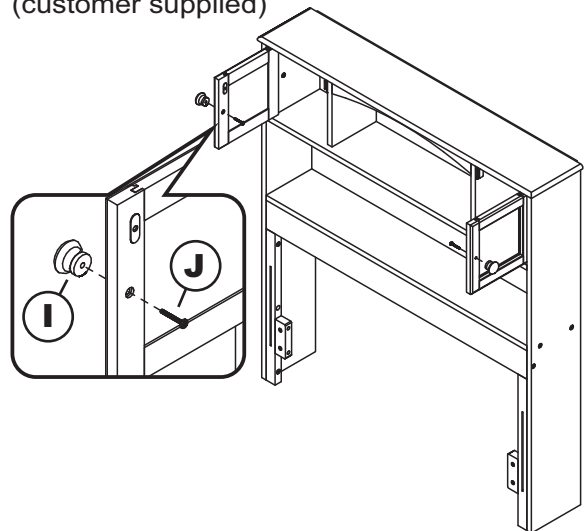
Lay the top storage (02) on the floor upside down, taking care to lay it on some cardboard to prevent scratching. Stand the side panel assembly upside down and using JCB (A), tighten with Allen wrench (N).

**STEP 5**

Install metal L- Bracket (F) as shown below. Using wood screw (G), tighten with Phillips screwdriver. (customer supplied)

**STEP 6**

Install wooden pull (I) to each of the doors as shown. Using wooden pull screws (J), tighten with Phillips screwdriver. (customer supplied)



Your headboard is now ready for use.

ASSEMBLY INSTRUCTION (TWIN)

Before assembling your bed slat kit, please read through these instructions carefully and familiarize yourself with the different parts.

Please note that you will require a Phillips screwdriver.

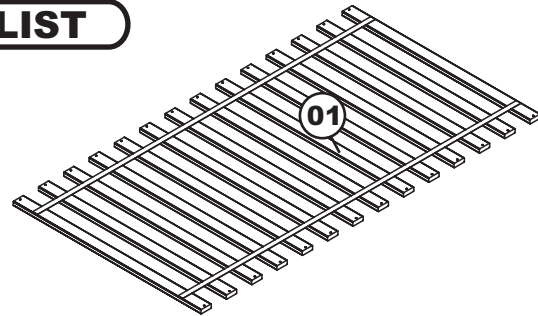
ATTENTION! If you receive a damaged or defective item, please contact afifurnishings at customerservice@afifurnishings.com or 1-800-955-3726



PARTS LIST

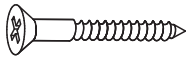
01 SLAT KIT 1 SET

CODE	ITEM
SL-PF	E-65000



NOTE: WE INCLUDE SPARE HARDWARE IN CASE DAMAGE OCCURS DURING ASSEMBLY.

A



1 1/4" Wood screw - 28 pcs Spare - 2 pcs

HARDWARE

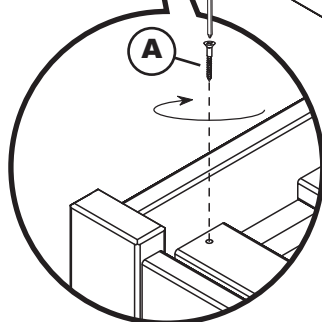
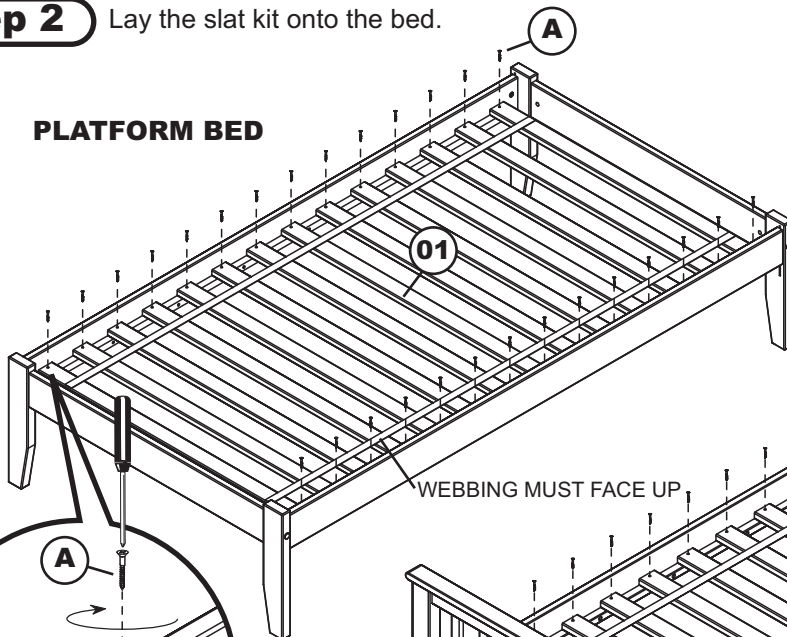
Step 1

Assemble bed frame or bunk bed according to assembly instructions.

Step 2

Lay the slat kit onto the bed.

PLATFORM BED



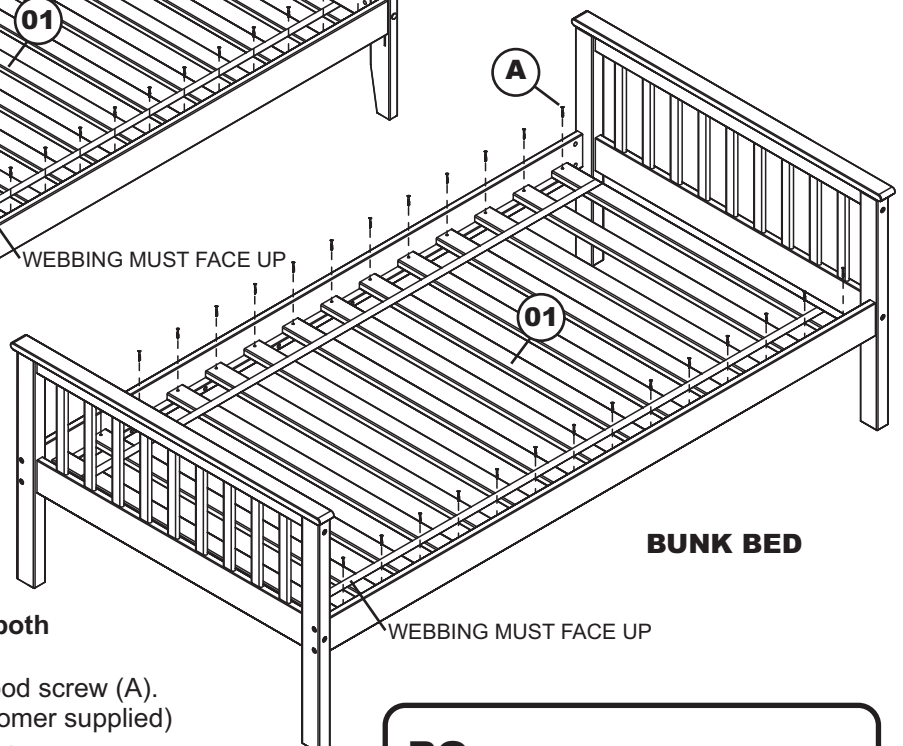
Be sure to align slat kit evenly with both ends of side rail.

Screw slat kit (01) to side rail, using wood screw (A). Tighten with Phillips screwdriver. (Customer supplied)
Be sure the space between slats is even.

NOTE: WEBBING MUST FACE UP



BUNK BED

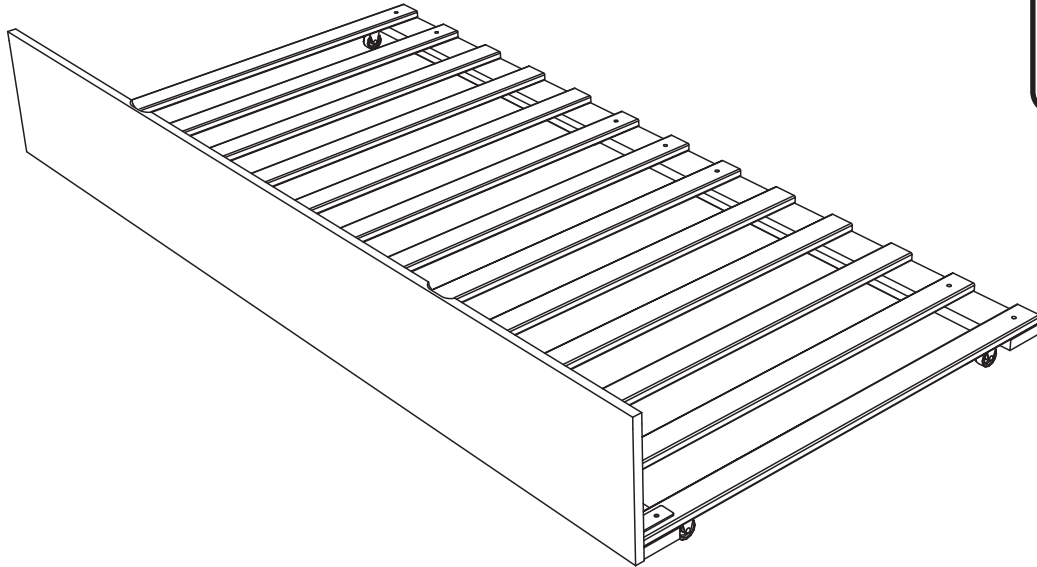
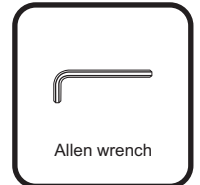


PO :

ASSEMBLY INSTRUCTIONS

Before assembling your Trundle bed, please read through these instructions carefully. Familiarize yourself with the different parts.

ATTENTION! If you receive a damaged or defective item, please contact afifurnishings at customerservice@afifurnishings.com or 1-800-955-3726



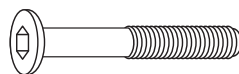
PO :

CODE	ITEM
ST-TD-UBN	E-6710X

HARDWARE

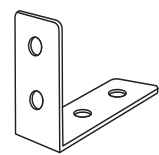
NOTE: WE INCLUDE SPARE HARDWARE IN CASE DAMAGE OCCURS DURING ASSEMBLY.

A



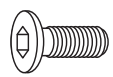
JCB M6 X 1 5/8" (40mm) - 17 pcs
Spare - 2 pcs

C




L Bracket - 3 pcs

B



JCB M6 X 5/8" (15mm) - 6 pcs
Spare - 2 pcs
Fix L bracket to front panel

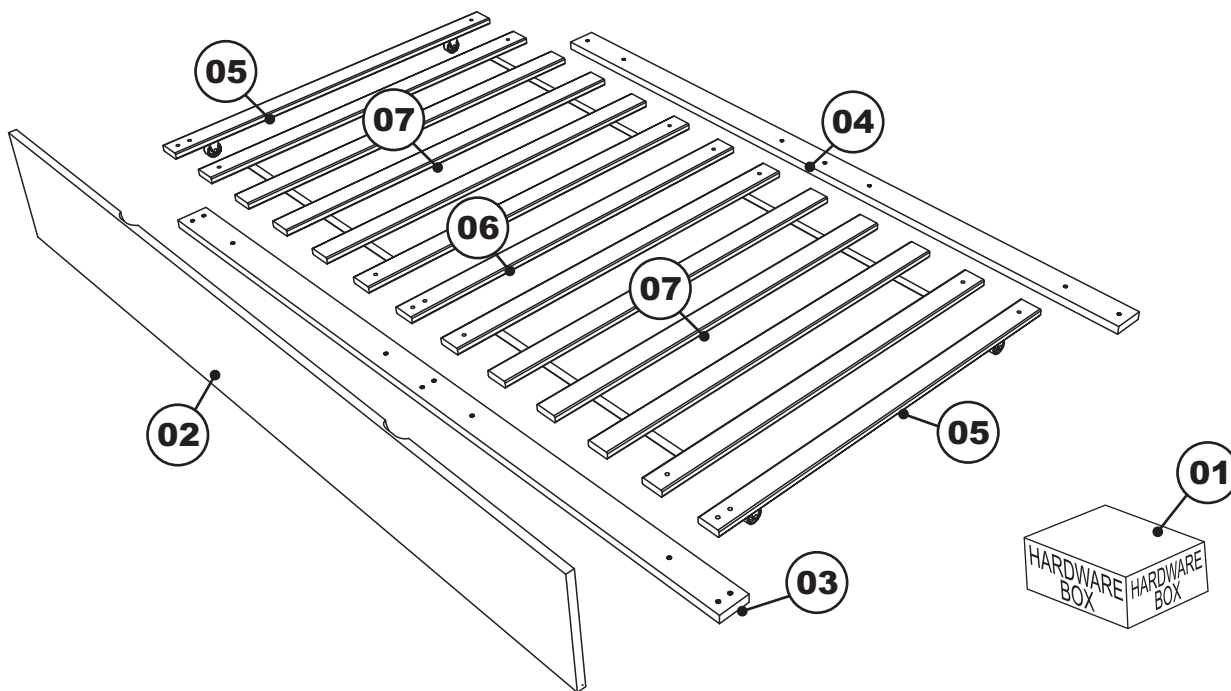
D



Allen wrench - 1 pc
Spare - 1 pc

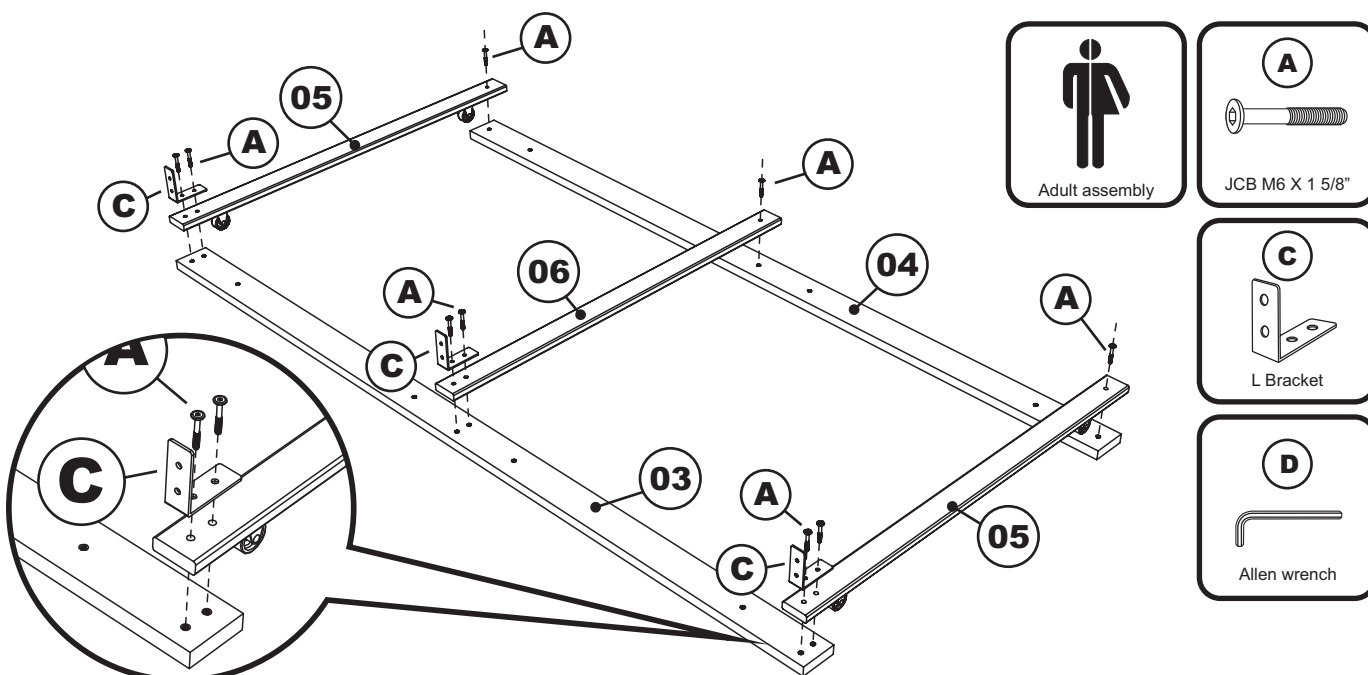
PARTS LIST

01	HARDWARE	1 BOX	05	SIDE CROSS RAIL	2 PCS
02	FRONT PANEL	1 PC	06	CENTER CROSS RAIL	1 PC
03	FRONT RAIL	1 PC	07	SLAT KIT	2 SET
04	BACK RAIL	1 PC			



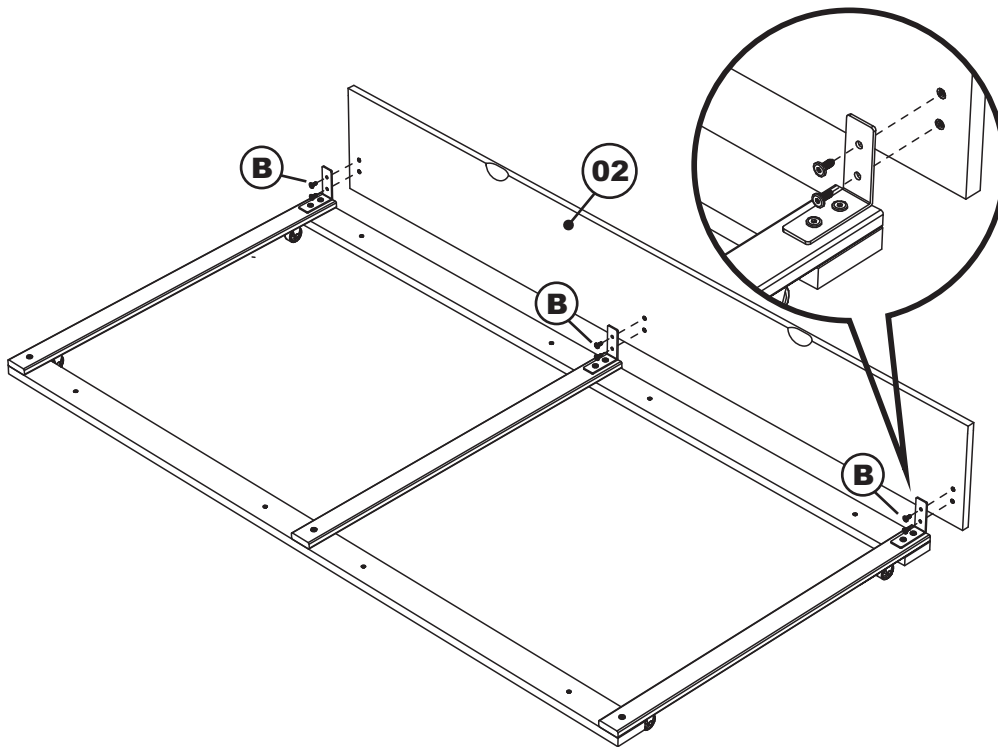
Step 1

Attach the side cross rails (05) and center cross rail (06) to the front and back rail (03)(04), using L bracket (C), JCB M6 X 1 5/8" (A). Tighten with the Allen wrench (D).



Step 2

Attach the front panel (02) to the front rail as shown, using JCB M6 X 5/8" (B). Tighten with the Allen wrench (D).



Adult assembly

B



JCB M6 X 5/8"

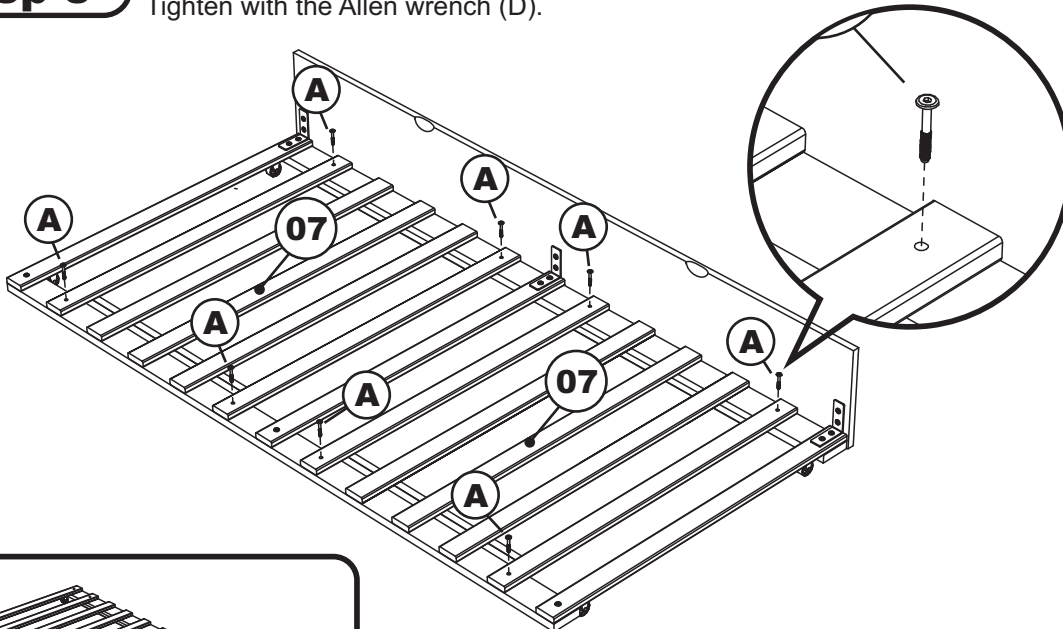
D



Allen wrench

Step 3

Lay the slat kit (07) onto the rail assembly as shown, using JCB M6 X 1 5/8" (A). Tighten with the Allen wrench (D).



Adult assembly

A

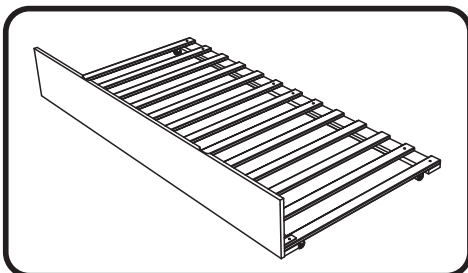


JCB M6 X 1 5/8"

D



Allen wrench



Congratulations!

Your Trundle bed is now ready for use.

We recommend that you periodically check that all screws are tight and all parts are secure to ensure lasting safety.