

ASSEMBLY INSTRUCTIONS (TWIN, FULL)

Before assembling your newport captain's bookcase headboard, please read through these instructions carefully and familiarize yourself with the different parts.

ATTENTION! If you receive a damaged or defective item, please contact afifurnishings at customerservice@afifurnishings.com or 1-800-955-3726



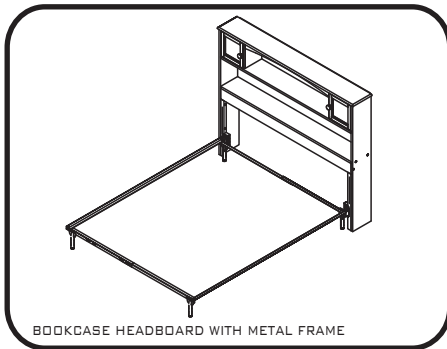
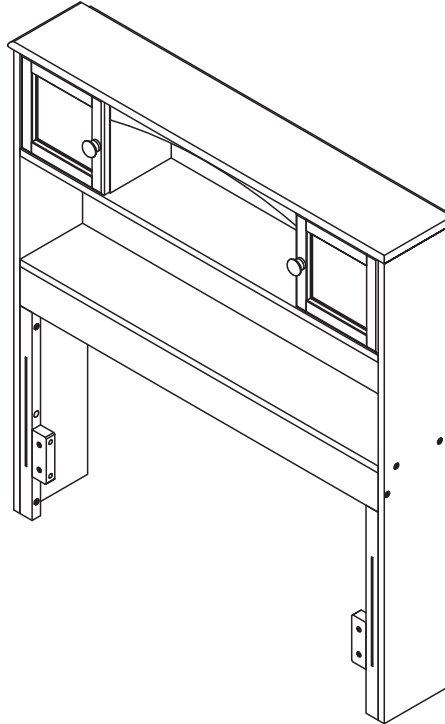
Phillips screwdriver



Customer supplied



Adult assembly



BOOKCASE HEADBOARD WITH METAL FRAME

CODE	ITEM	ITEM
HB-NWP	R-28582X	R-28583X

PO :

HEADBOARD HARDWARE

NOTE: WE INCLUDE SPARE HARDWARE IN CASE DAMAGE OCCURS DURING ASSEMBLY.

- A** JCB M6 X 1 2/8" (30mm) - 4 pcs
Spare - 1 pc
- B** JCB M6 X 1 1/2" (35mm) - 6 pcs
Spare - 1 pc
- C** JCB M6 X 2" (50mm) - 4 pcs
Spare - 1 pc
- D** Wooden dowel 10 X 30mm - 4 pcs
Spare - 1 pc
- E** Wooden dowel 8 X 30mm - 12 pcs
Spare - 1 pc

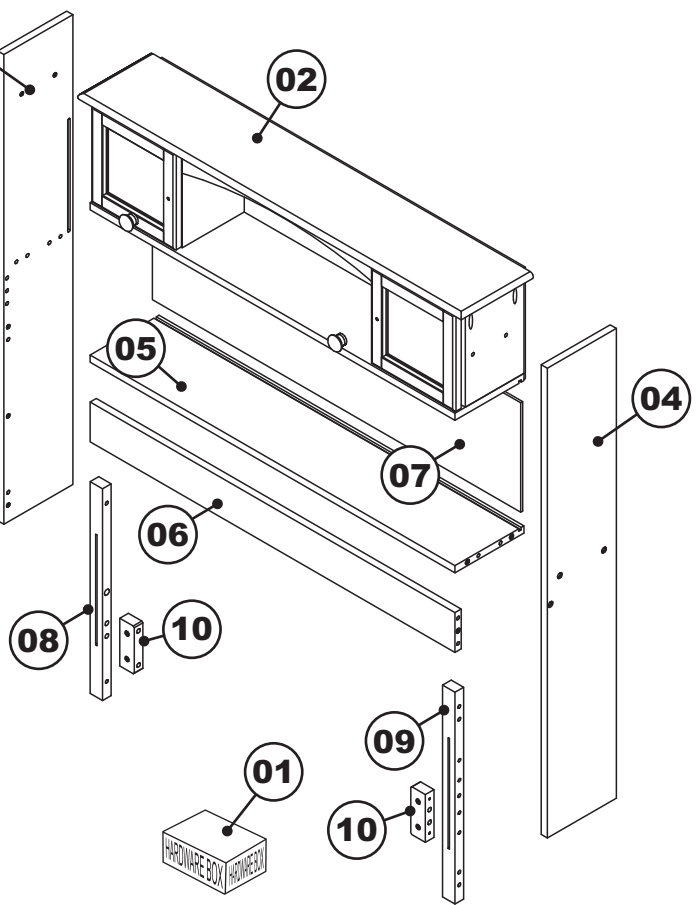
- F** Metal L-Bracket - 3 pcs
- G** Wood screw 1/2" - 6 pcs
Spare - 1 pc
- H** Wood screw 1 1/2" - 4 pcs
Spare - 1 pc
- I** Wooden pull - 2 pcs
- J** Wooden pull screw - 2 pcs

HARDWARE FOR METAL BED FRAME

- K** JCB M6 X 1" (25mm) - 6 pcs
Spare - 1 pc
For post - 2 pcs
For metal bed frame - 4 pcs
- L** Split washer - 4 pcs
Spare - 1 pc
- M** Flat washer - 4 pcs
Spare - 1 pc
- N** Allen wrench - 1 pc
Spare - 1 pc

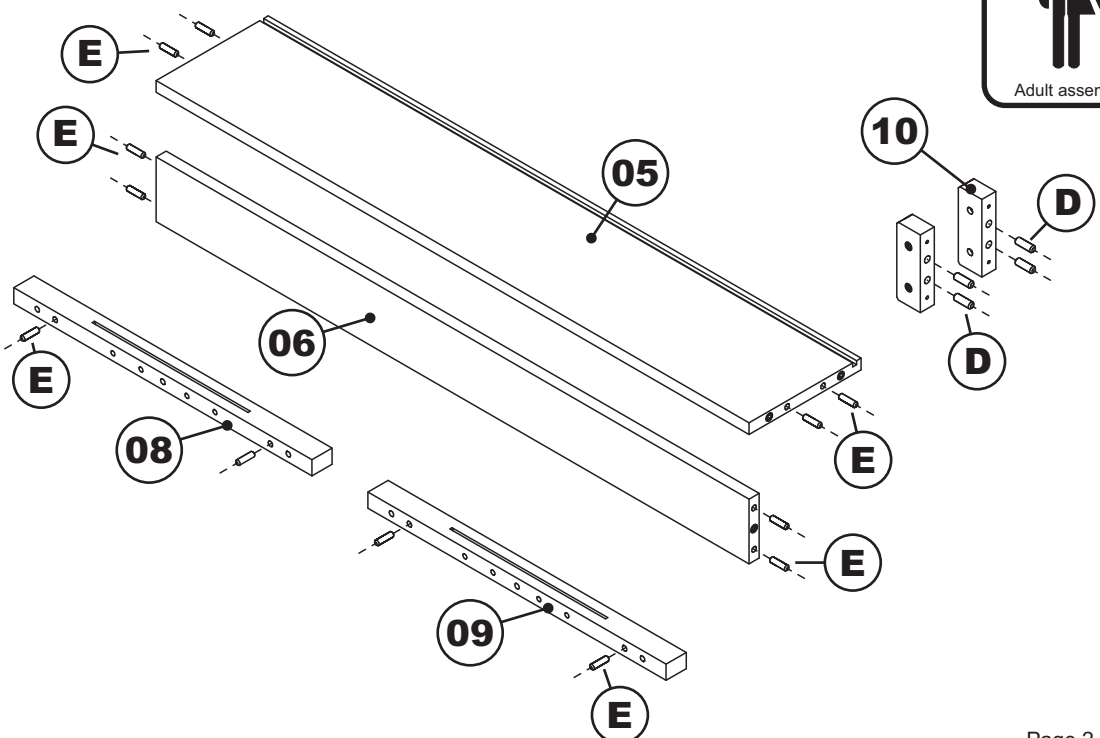
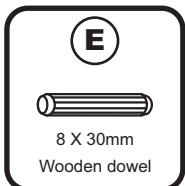
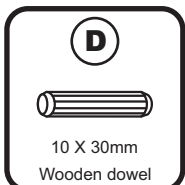
PARTS LIST

- | | | |
|-----------|-------------------------|--------------|
| 01 | HARDWARE | 1 BOX |
| 02 | TOP STORAGE | 1 SET |
| 03 | LEFT SIDE PANEL | 1 PC |
| 04 | RIGHT SIDE PANEL | 1 PC |
| 05 | LOWER SHELF | 1 PC |
| 06 | PILLOW STOP | 1 PC |
| 07 | BACK PANEL | 1 PC |
| 08 | LEFT POST | 1 PC |
| 09 | RIGHT POST | 1 PC |
| 10 | SPACER BLOCK | 2 PCS |



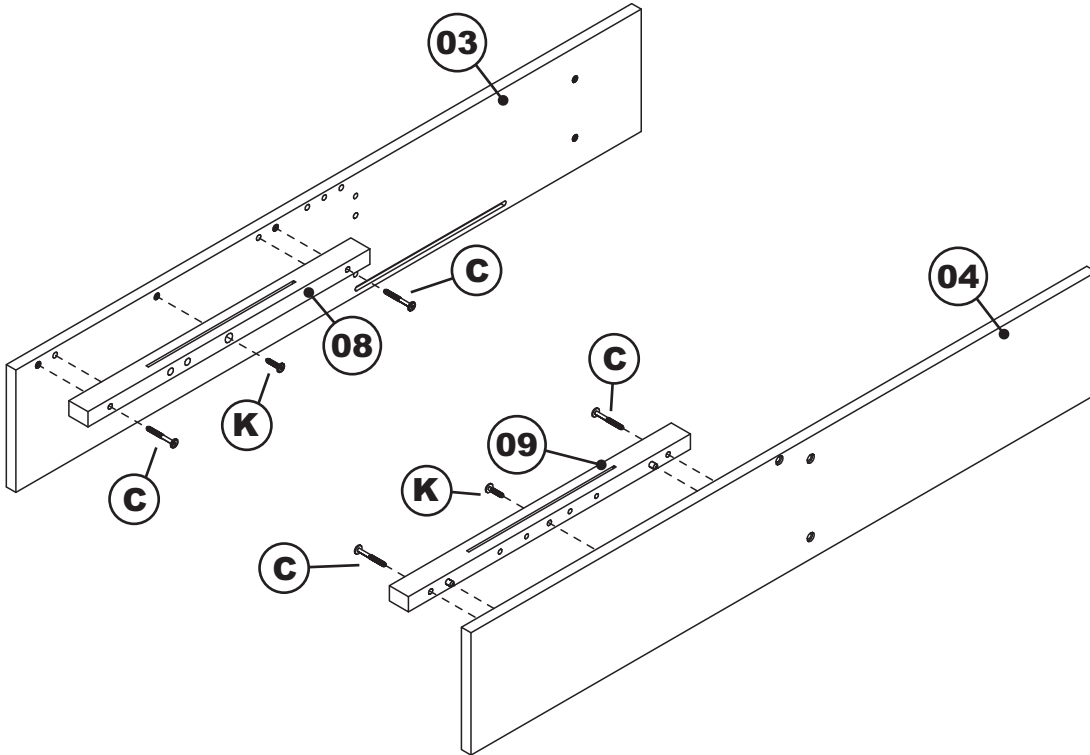
STEP 1

Insert wooden dowels (D) and (E) into locator holes on (05)(06)(08) and (09) as shown below.



STEP 2

Attach the left, right post (08) and (09) to the left, right side panel (03) and (04) as shown below. Using JCB (C) and (K). Tighten with Allen wrench (N).



Adult assembly

C



JCB M6 X 2"

K



JCB M6 X 1"

N

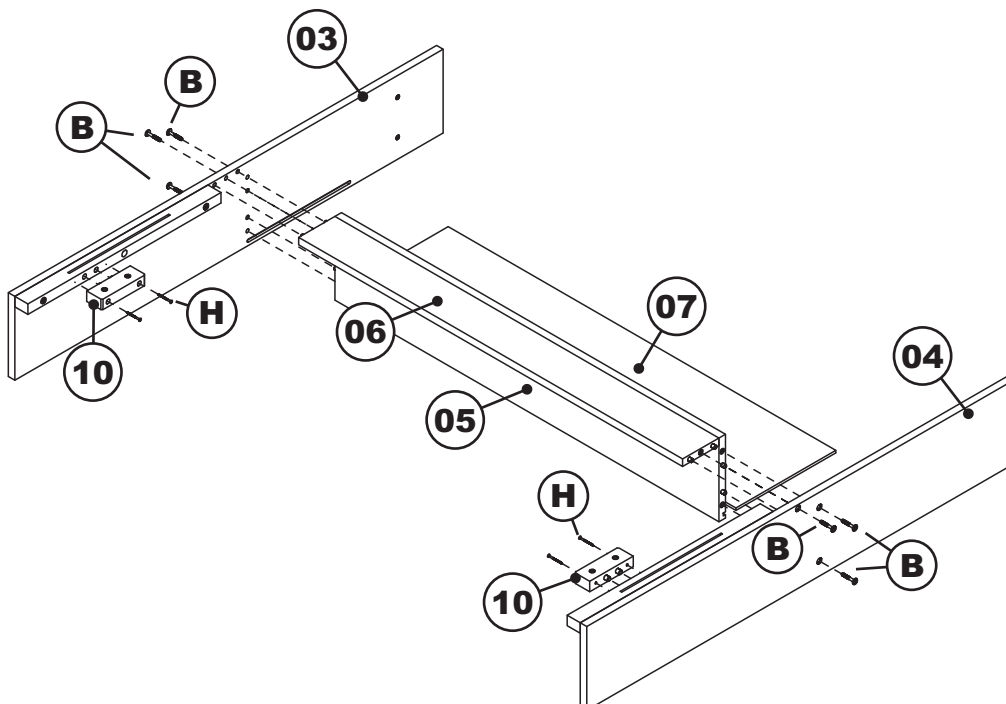


Allen wrench

STEP 3

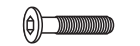
Attach the lower shelf (05), pillow stop (06) & back panel (07) to side panels (03) and (04) as shown below. Using JCB (B), tighten with Allen wrench (N).

Attach the spacer block (10) to side panels (03) and (04) as shown below. Using wood screw (H), tighten with Phillips screwdriver. (customer supplied)



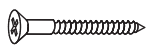
Adult assembly

B



JCB M6 X 1 1/2"

H



Wood screw

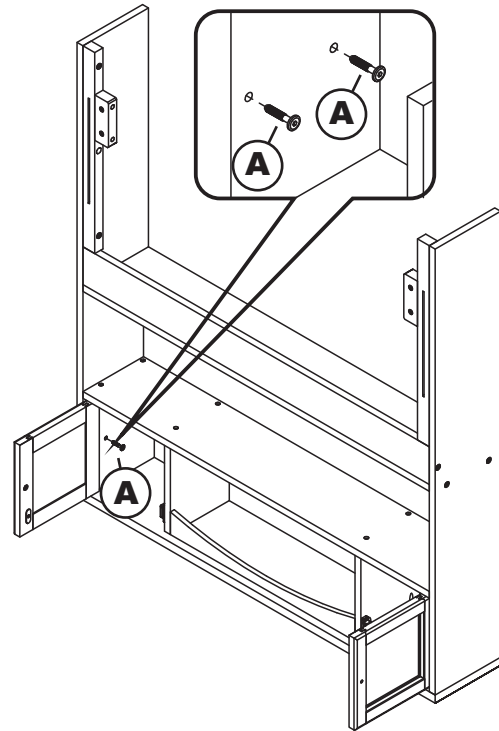
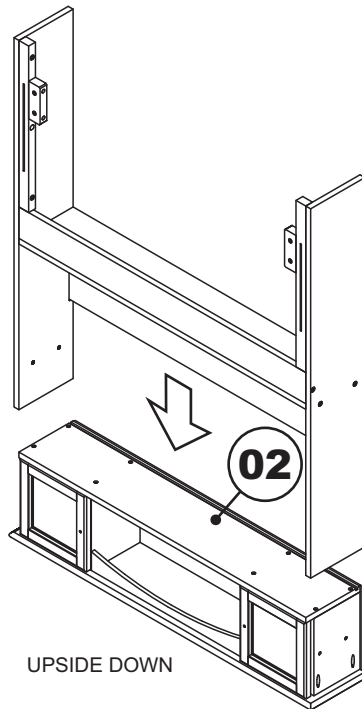
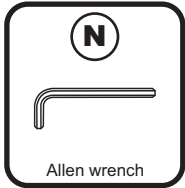
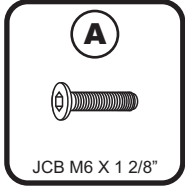
N



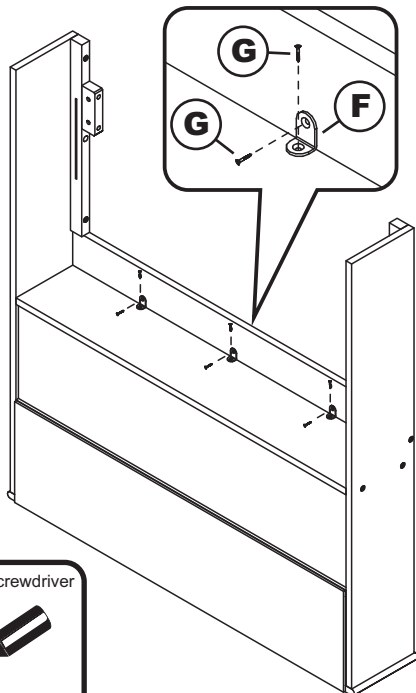
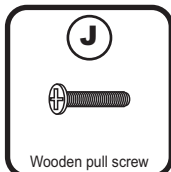
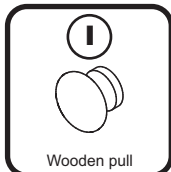
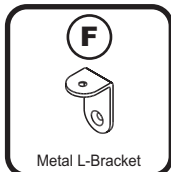
Allen wrench

STEP 4

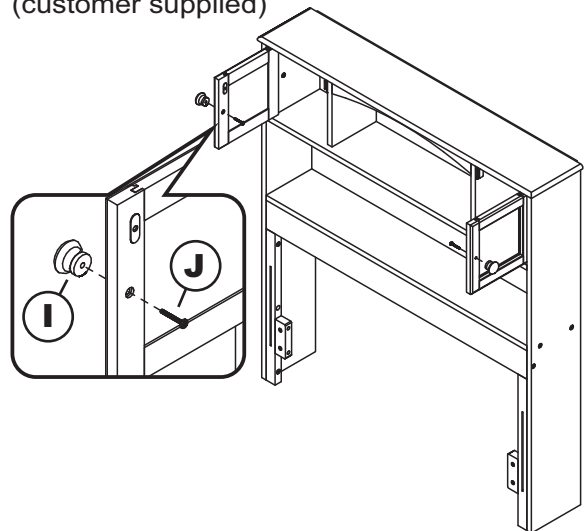
Lay the top storage (02) on the floor upside down, taking care to lay it on some cardboard to prevent scratching. Stand the side panel assembly upside down and using JCB (A), tighten with Allen wrench (N).

**STEP 5**

Install metal L- Bracket (F) as shown below. Using wood screw (G), tighten with Phillips screwdriver. (customer supplied)

**STEP 6**

Install wooden pull (I) to each of the doors as shown. Using wooden pull screws (J), tighten with Phillips screwdriver. (customer supplied)



Your headboard is now ready for use.

ASSEMBLY INSTRUCTION (TWIN XL)

Before assembling your bed slat kit, please read through these instructions carefully and familiarize yourself with the different parts.

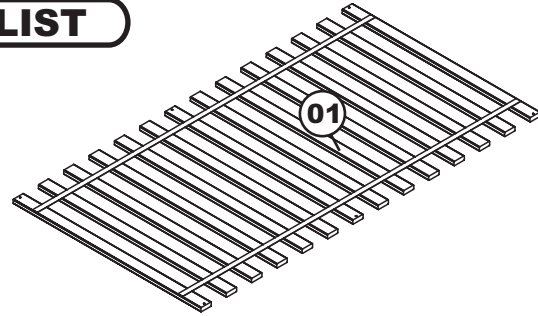
Please note that you will require a Phillips screwdriver.

ATTENTION! If you receive a damaged or defective item, please contact afifurnishings at customerservice@afifurnishings.com or 1-800-955-3726



PARTS LIST

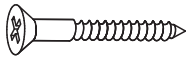
01 SLAT KIT 1 SET



CODE	ITEM
SL-PF	E-65100

NOTE: WE INCLUDE SPARE HARDWARE IN CASE DAMAGE OCCURS DURING ASSEMBLY.

A



1 1/4" Wood screw - 6 pcs Spare - 2 pcs

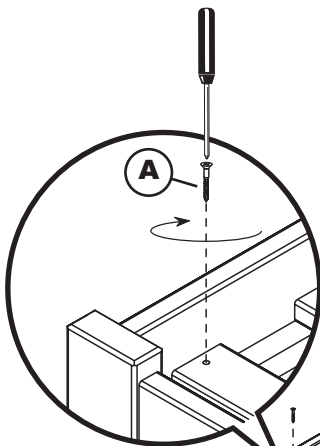
HARDWARE

Step 1

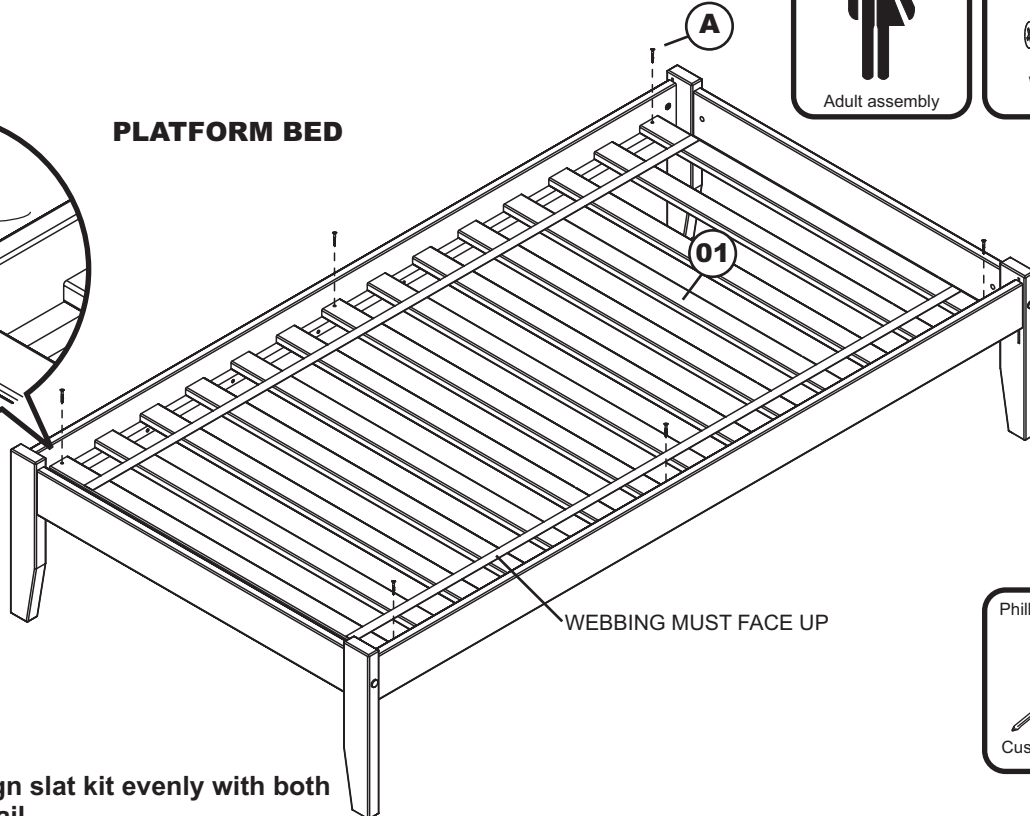
Assemble bed frame according to assembly instructions.

Step 2

Lay the slat kit onto the bed.



PLATFORM BED



Be sure to align slat kit evenly with both ends of side rail.

Screw slat kit (01) to side rail, using wood screw (A).

Tighten with Phillips screwdriver.

Be sure the space between slats is even.

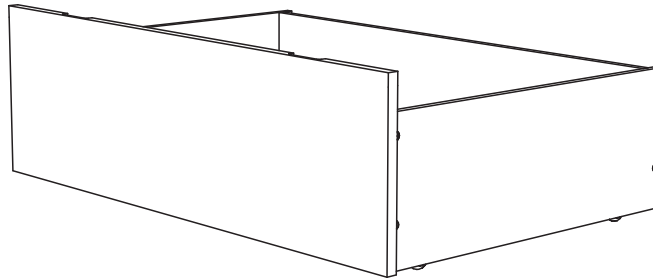
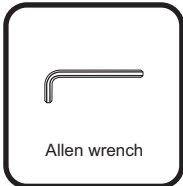
NOTE: WEBBING MUST FACE UP

PO :

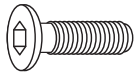
ASSEMBLY INSTRUCTIONS

Before assembling your bed drawer, please read through these instructions carefully, familiarize yourself with the different parts.

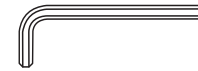
ATTENTION! If you receive a damaged or defective item, please contact afifurnishings at customerservice@afifurnishings.com or 1-800-955-3726



NOTE : WE INCLUDE SPARE HARDWARE IN CASE DAMAGE OCCURS DURING ASSEMBLY.



HARDWARE

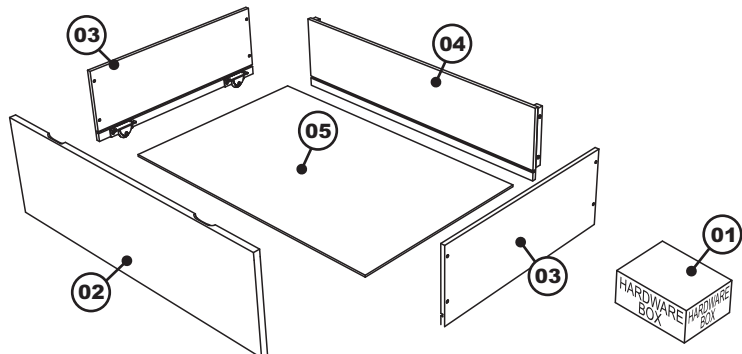


A JCB M6 X 1 1/8" (30mm) - 16 pcs
Spare - 2 pcs

B Allen wrench - 1 pc
Spare - 1 pc

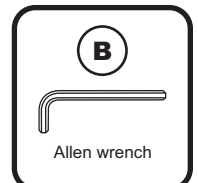
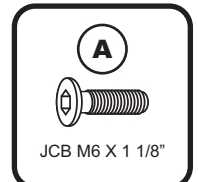
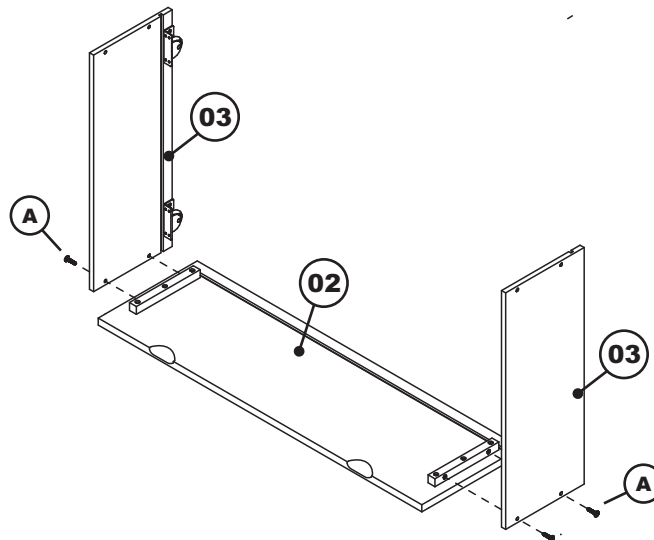
PARTS LIST

01	HARDWARE	1 BOX
02	DRAWER FACE	2 PCS
03	DRAWER SIDE	4 PCS
04	DRAWER BACK	2 PCS
05	DRAWER BOTTOM	2 PCS



Step 1

Lay the drawer face (02) on smooth, flat surface so the groove is facing upwards. Fit the drawer side (03) to drawer face (02), Use JCB M6 X 1 1/8" (A), align groove inside panel with groove in drawer face. Tighten with Allen wrench (B).

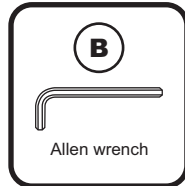
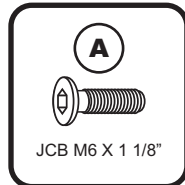
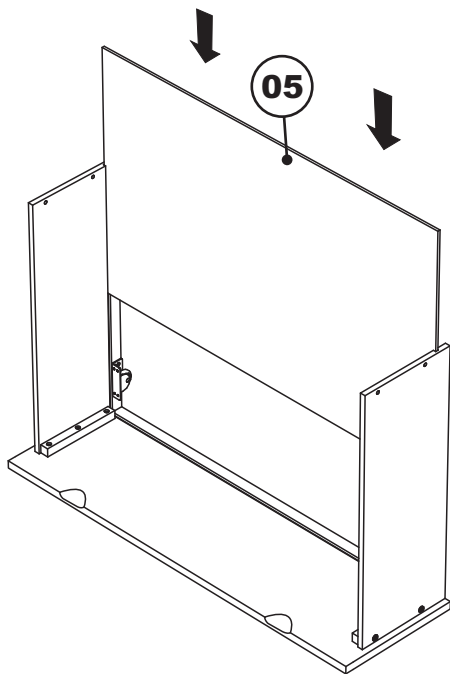


PO :

CODE	ITEM	ITEM
ST-DR-UBN	E-6683X	E-6684X

Step 2

Guide the drawer bottom (05) in carefully so that it won't jump out of its grooves. Be sure it fits fully into its groove at the bottom (in the drawer face) before fitting the drawer back.



Step 3

Attach drawer back (04) to bed drawer assembly as shown. Use JCB M6 X 1 1/8" (A). Tighten with Allen wrench (B).

