

## ASSEMBLY INSTRUCTIONS ( TWIN, FULL )

Before assembling your newport captain's bookcase headboard, please read through these instructions carefully and familiarize yourself with the different parts.

**ATTENTION!** If you receive a damaged or defective item, please contact afifurnishings at customerservice@afifurnishings.com or 1-800-955-3726



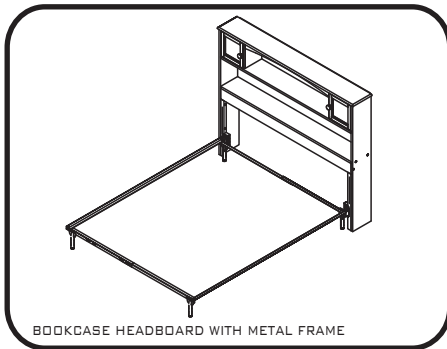
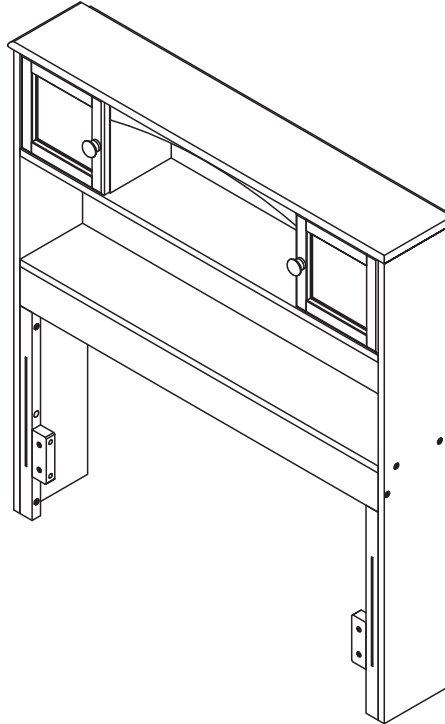
Phillips screwdriver



Customer supplied



Adult assembly



BOOKCASE HEADBOARD WITH METAL FRAME

CODE	ITEM	ITEM
HB-NWP	R-28582X	R-28583X

PO :

### HEADBOARD HARDWARE

NOTE: WE INCLUDE SPARE HARDWARE IN CASE DAMAGE OCCURS DURING ASSEMBLY.

- A** JCB M6 X 1 2/8"(30mm) - 4 pcs  
Spare - 1 pc
- B** JCB M6 X 1 1/2"(35mm) - 6 pcs  
Spare - 1 pc
- C** JCB M6 X 2"(50mm) - 4 pcs  
Spare - 1 pc
- D** Wooden dowel 10 X 30mm - 4 pcs  
Spare - 1 pc
- E** Wooden dowel 8 X 30mm - 12 pcs  
Spare - 1 pc

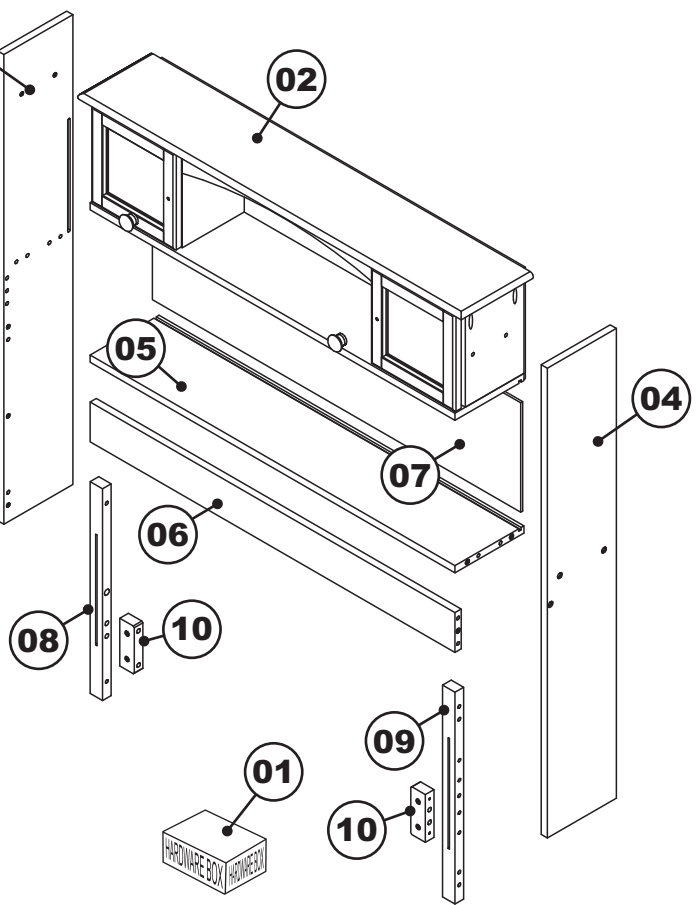
- F** Metal L-Bracket - 3 pcs
- G** Wood screw 1/2" - 6 pcs  
Spare - 1 pc
- H** Wood screw 1 1/2" - 4 pcs  
Spare - 1 pc
- I** Wooden pull - 2 pcs
- J** Wooden pull screw - 2 pcs

#### HARDWARE FOR METAL BED FRAME

- K** JCB M6 X 1"(25mm) - 6 pcs  
Spare - 1 pc  
For post - 2 pcs  
For metal bed frame - 4 pcs
- L** Split washer - 4 pcs  
Spare - 1 pc
- M** Flat washer - 4 pcs  
Spare - 1 pc
- N** Allen wrench - 1 pc  
Spare - 1 pc

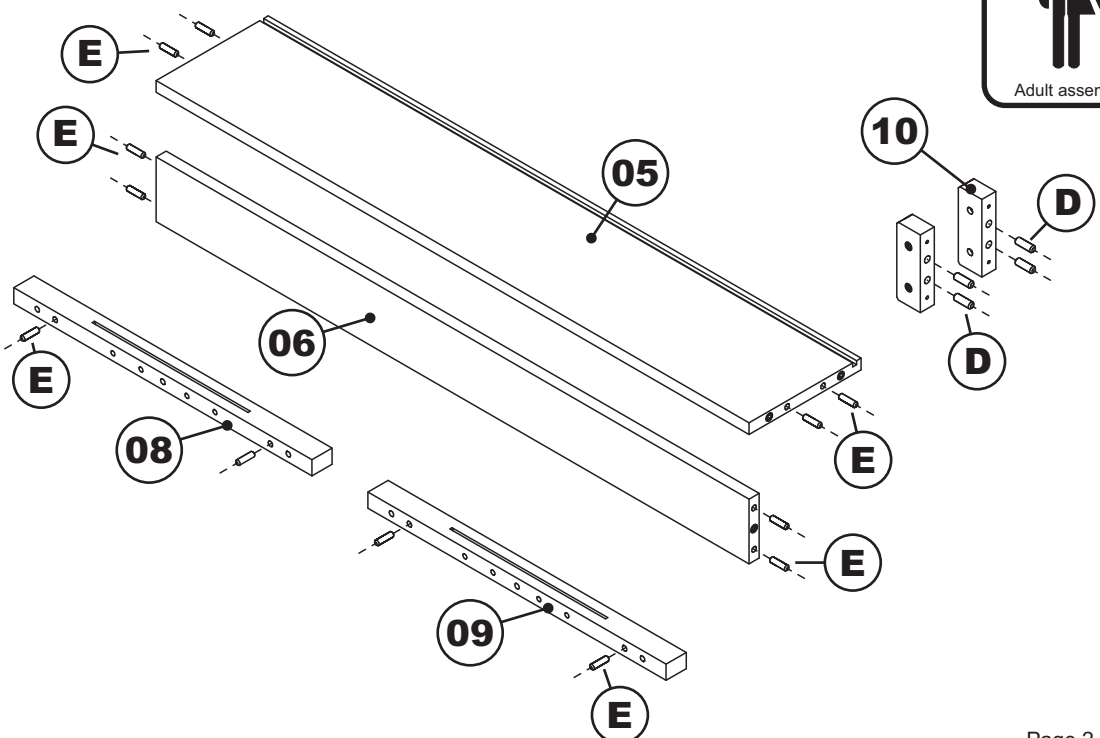
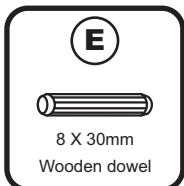
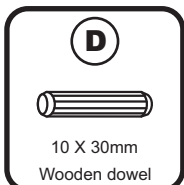
# PARTS LIST

- |           |                         |              |
|-----------|-------------------------|--------------|
| <b>01</b> | <b>HARDWARE</b>         | <b>1 BOX</b> |
| <b>02</b> | <b>TOP STORAGE</b>      | <b>1 SET</b> |
| <b>03</b> | <b>LEFT SIDE PANEL</b>  | <b>1 PC</b>  |
| <b>04</b> | <b>RIGHT SIDE PANEL</b> | <b>1 PC</b>  |
| <b>05</b> | <b>LOWER SHELF</b>      | <b>1 PC</b>  |
| <b>06</b> | <b>PILLOW STOP</b>      | <b>1 PC</b>  |
| <b>07</b> | <b>BACK PANEL</b>       | <b>1 PC</b>  |
| <b>08</b> | <b>LEFT POST</b>        | <b>1 PC</b>  |
| <b>09</b> | <b>RIGHT POST</b>       | <b>1 PC</b>  |
| <b>10</b> | <b>SPACER BLOCK</b>     | <b>2 PCS</b> |



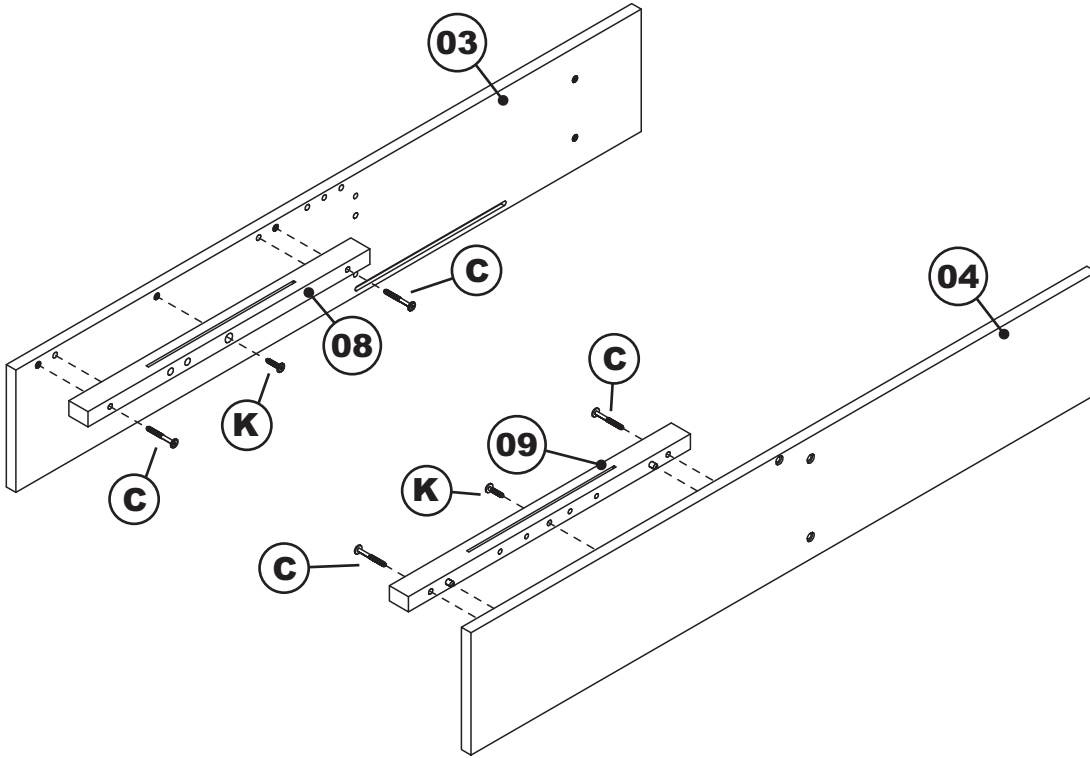
## STEP 1

Insert wooden dowels (D) and (E) into locator holes on (05)(06)(08) and (09) as shown below.



**STEP 2**

Attach the left, right post (08) and (09) to the left, right side panel (03) and (04) as shown below. Using JCB (C) and (K). Tighten with Allen wrench (N).



Adult assembly

**C**



JCB M6 X 2"

**K**



JCB M6 X 1"

**N**

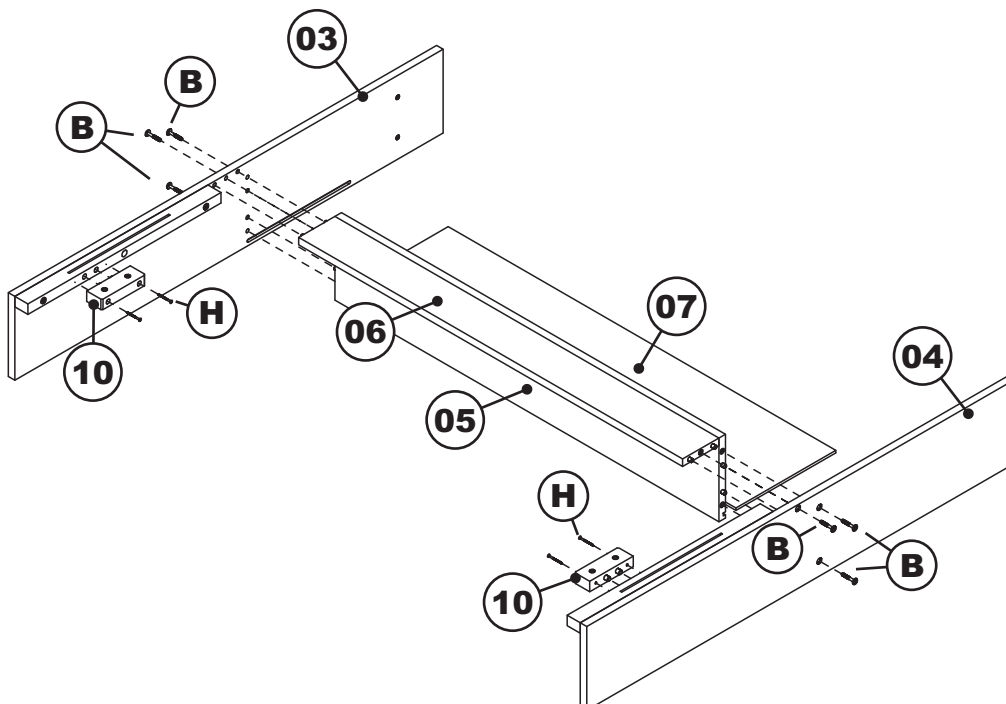


Allen wrench

**STEP 3**

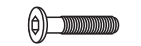
Attach the lower shelf (05), pillow stop (06) & back panel (07) to side panels (03) and (04) as shown below. Using JCB (B), tighten with Allen wrench (N).

Attach the spacer block (10) to side panels (03) and (04) as shown below. Using wood screw (H), tighten with Phillips screwdriver. (customer supplied )



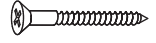
Adult assembly

**B**



JCB M6 X 1 1/2"

**H**



Wood screw

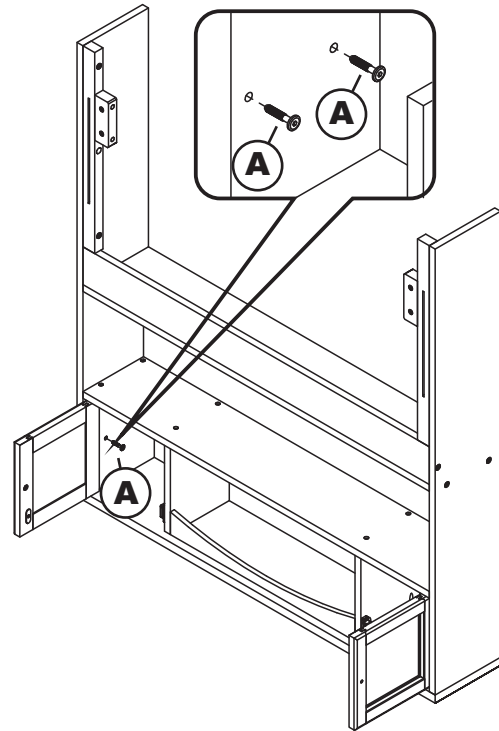
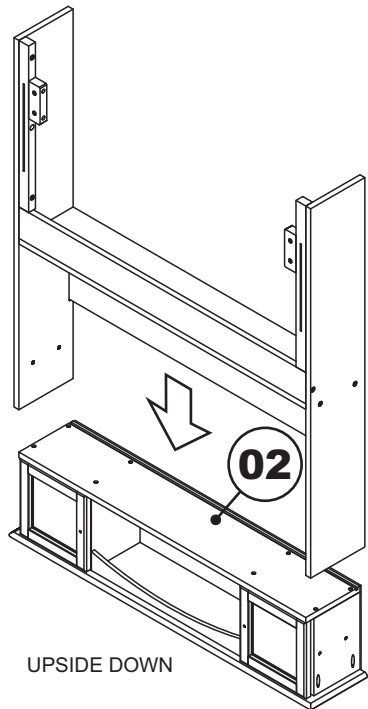
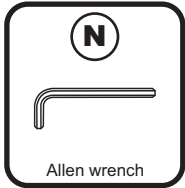
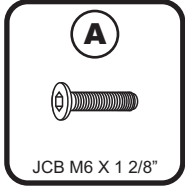
**N**



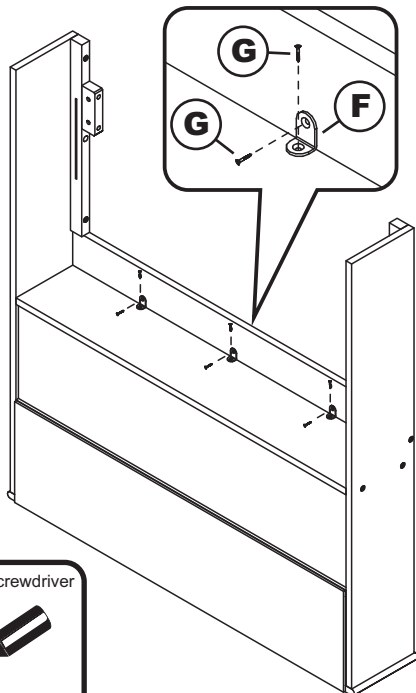
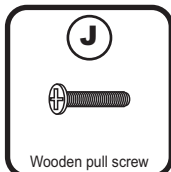
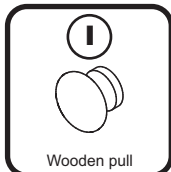
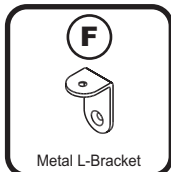
Allen wrench

**STEP 4**

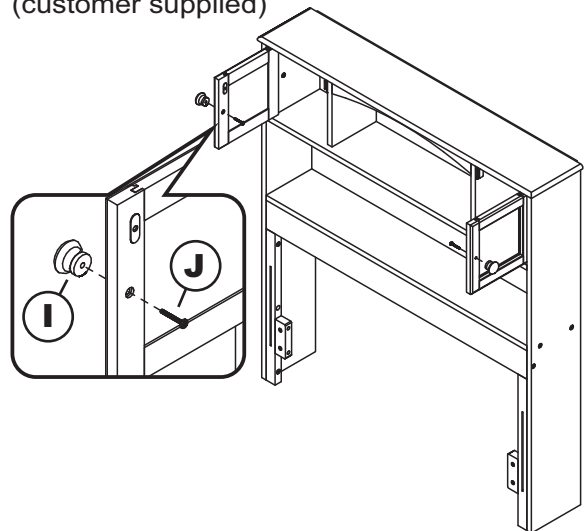
Lay the top storage (02) on the floor upside down, taking care to lay it on some cardboard to prevent scratching. Stand the side panel assembly upside down and using JCB (A), tighten with Allen wrench (N).

**STEP 5**

Install metal L- Bracket (F) as shown below. Using wood screw (G), tighten with Phillips screwdriver. (customer supplied)

**STEP 6**

Install wooden pull (I) to each of the doors as shown. Using wooden pull screws (J), tighten with Phillips screwdriver. (customer supplied)



Your headboard is now ready for use.

## ASSEMBLY INSTRUCTIONS

Before assembling your bed frame, please read through these instructions carefully and familiarize yourself with the different parts.

**ATTENTION!** If you receive a damaged or defective item, please contact afifurnishings at [customerservice@afifurnishings.com](mailto:customerservice@afifurnishings.com) or 1-800-955-3726



Instructions apply for all bed sizes  
Twin > Twin XL > Full > Queen > King

### PARTS LIST

### HARDWARE

- 1 END RAIL 1 PC**
- 2 TALL LEG 2 PCS**
- 3 SHORT LEG 2 PCS**
- 4 SIDE RAIL 2 PCS**

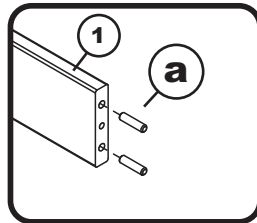
- (a)** Wooden dowels - 4 pcs  
Spare - 1 pc
- (b)** JCB M6 X 100mm (4") - 2 pcs  
Spare - 1 pc
- (c)** Barrel nut - 2 pcs  
Spare - 1 pc

- (d)** Wood button - 2 pcs  
Spare - 1 pc
- (e)** Allen wrench - 1pc  
Spare - 1pc

NOTE: WE INCLUDE SPARE HARDWARE IN CASE DAMAGE OCCURS DURING ASSEMBLY.

### Step 1

Insert wooden dowels (a) into the locator holes on (1) both ends of end rail.

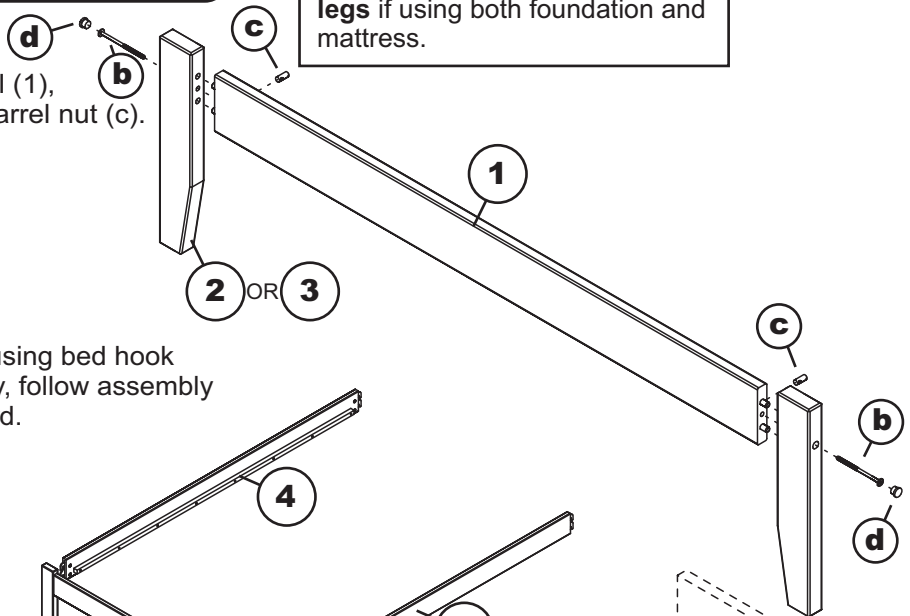


Choose the **tall legs** when using storage drawers, Trundle bed or mattress only, choose the **short legs** if using both foundation and mattress.



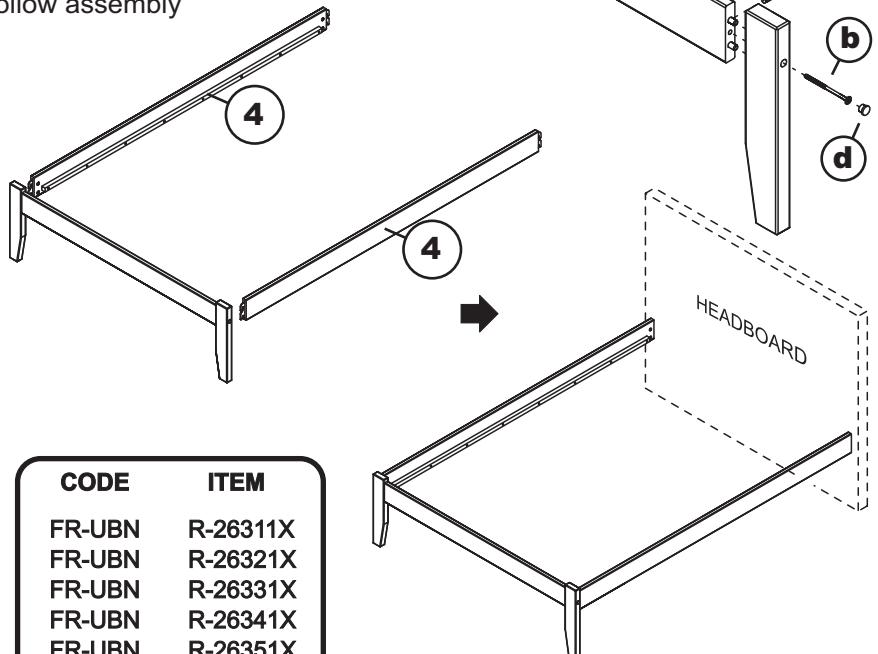
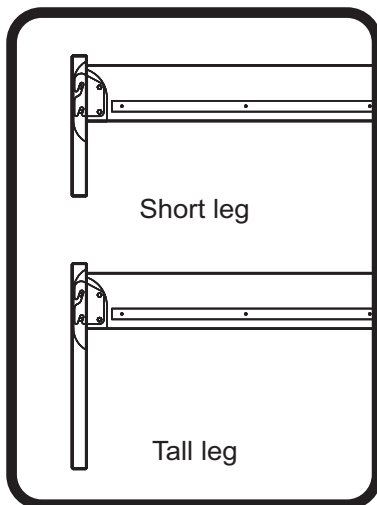
### Step 2

Attach the legs (2) or (3) to end rail (1), using JCB M6 X 100mm (b) and barrel nut (c). Tighten with the Allen wrench (e). Cover holes with wood button (d).



### Step 3

Attach side rails (4) to the end rail using bed hook as shown. For headboard assembly, follow assembly instructions included with headboard.



CODE	ITEM
FR-UBN	R-26311X
FR-UBN	R-26321X
FR-UBN	R-26331X
FR-UBN	R-26341X
FR-UBN	R-26351X

**PO:**

## ASSEMBLY INSTRUCTION ( TWIN XL )

Before assembling your bed slat kit, please read through these instructions carefully and familiarize yourself with the different parts.

Please note that you will require a Phillips screwdriver.

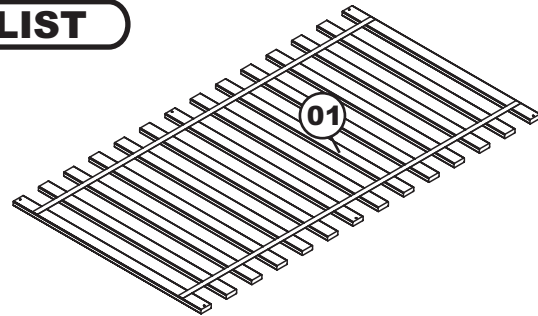
**ATTENTION!** If you receive a damaged or defective item, please contact afifurnishings at customerservice@afifurnishings.com or 1-800-955-3726



### PARTS LIST

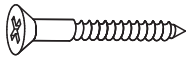
01 SLAT KIT 1 SET

CODE	ITEM
SL-PF	E-65100



NOTE: WE INCLUDE SPARE HARDWARE IN CASE DAMAGE OCCURS DURING ASSEMBLY.

A



1 1/4" Wood screw - 6 pcs Spare - 2 pcs

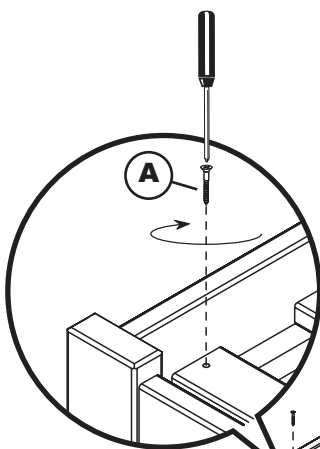
**HARDWARE**

### Step 1

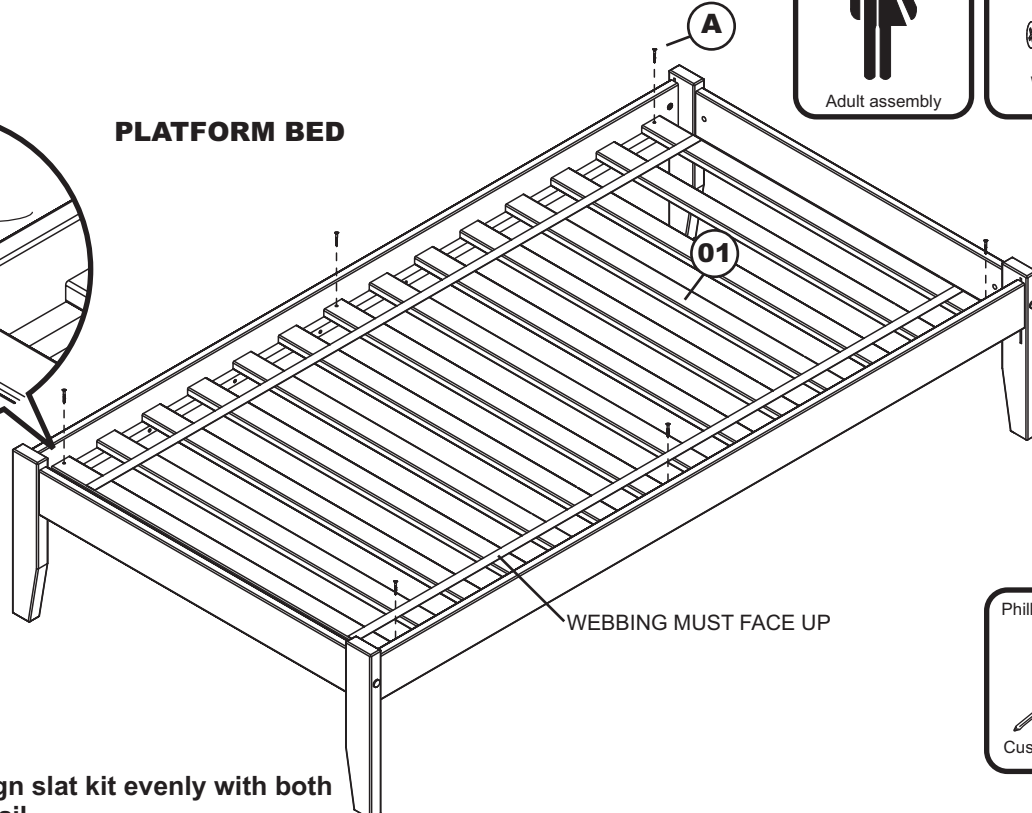
Assemble bed frame according to assembly instructions.

### Step 2

Lay the slat kit onto the bed.



**PLATFORM BED**



**Be sure to align slat kit evenly with both ends of side rail.**

Screw slat kit (01) to side rail, using wood screw (A).

Tighten with Phillips screwdriver.

Be sure the space between slats is even.

**NOTE: WEBBING MUST FACE UP**

**PO :**