

## ASSEMBLY INSTRUCTIONS

Before assembling your bed, please read through these instructions carefully and familiarize yourself with the different parts.

**ATTENTION!** If you receive a damaged or defective item, please contact afifurnishings at customerservice@afifurnishings.com or 1-800-955-3726



### PARTS LIST

- 1 HEADBOARD PANEL 1 PC
- 2 LEFT LEG 1 PC
- 3 RIGHT LEG 1 PC
- 4 WOOD DOWELS (Factory Installed) 4 PCS
- 5 FOOTBOARD 1 PC

Instructions apply for bed sizes  
TWIN > FULL

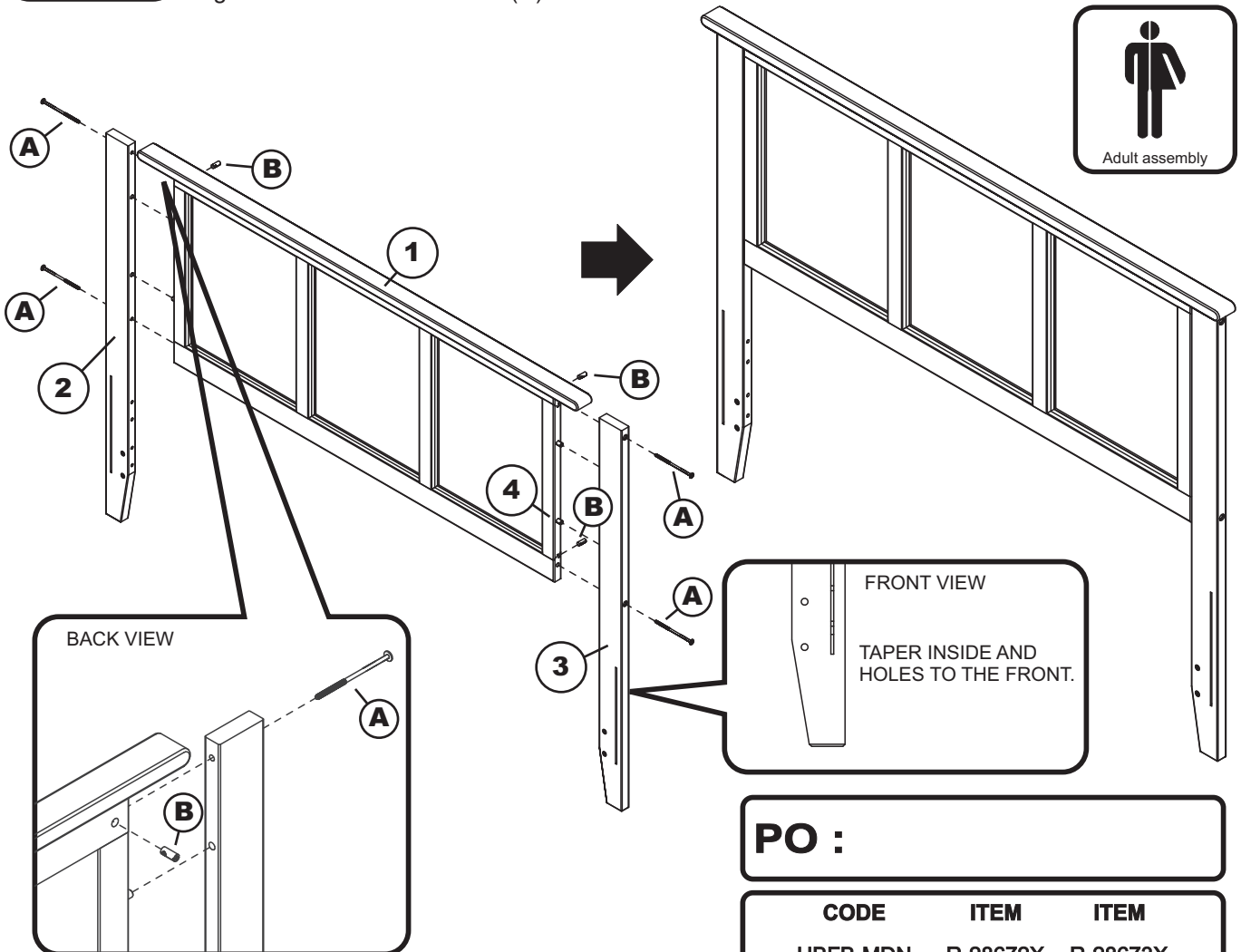
### HARDWARE

- A JCB M6 X 110mm (4 3/8") - 4 pcs  
Spare - 1 pc
- B Barrel nut - 4 pcs  
Spare - 1 pc
- C Allen wrench - 1pc  
Spare - 1pc

NOTE: WE INCLUDE SPARE HARDWARE IN CASE DAMAGE OCCURS DURING ASSEMBLY.

### Step 1

Attach the legs (2) and (3) to headboard panel (1), using JCB (A) and barrel nut (B). Tighten with the Allen wrench (C).



PO :

CODE	ITEM	ITEM
HBFB-MDN	R-28672X	R-28673X

## Congratulations!

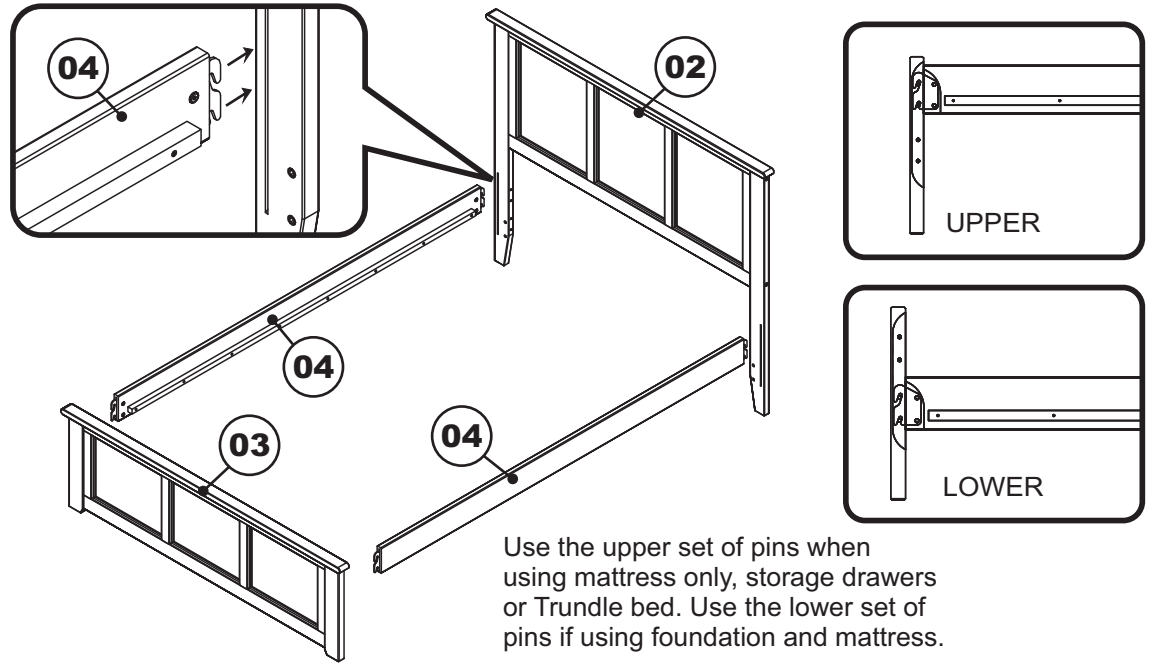
Your headboard is now assembled.

To ensure lasting safety, we recommend that you periodically check that all screws are tight and all parts are secure.

- 01 **HARDWARE**
- 02 **HEADBOARD** — **BOX 1**
- 03 **FOOTBOARD**
- 04 **SIDE RAILS** — **BOX 2**



**Step 1** Attach the side rails (04) to the headboard (02) and footboard (03) using the bed hook as shown below.

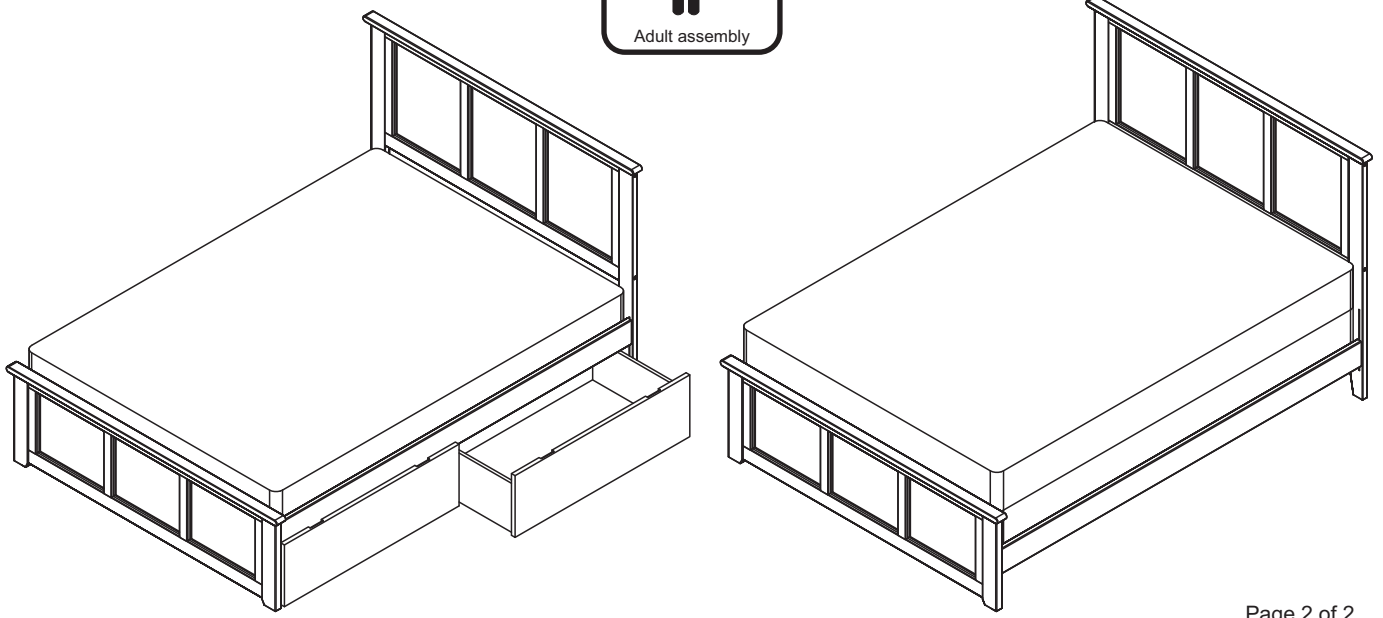


**Step 2** Lastly, lay slat kit or foundation support board onto the bed. For assembly, follow the assembly instructions included with support system.

PLATFORM BED - TALL HEIGHT



TRADITIONAL BED - LOW HEIGHT



## ASSEMBLY INSTRUCTION ( TWIN )

Before assembling your bed slat kit, please read through these instructions carefully and familiarize yourself with the different parts.

Please note that you will require a Phillips screwdriver.

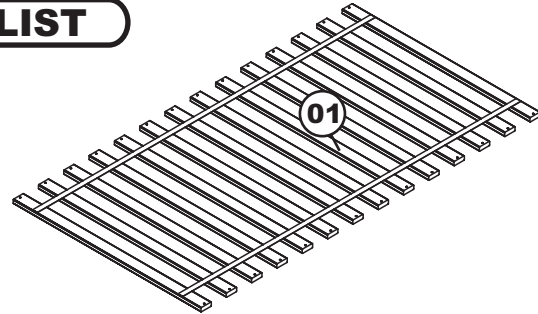
**ATTENTION!** If you receive a damaged or defective item, please contact afifurnishings at customerservice@afifurnishings.com or 1-800-955-3726



### PARTS LIST

01 SLAT KIT 1 SET

CODE	ITEM
SL-PF	E-65000



NOTE: WE INCLUDE SPARE HARDWARE IN CASE DAMAGE OCCURS DURING ASSEMBLY.

A



1 1/4" Wood screw - 28 pcs Spare - 2 pcs

**HARDWARE**

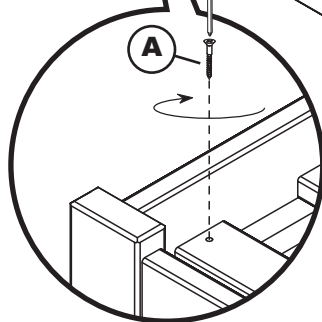
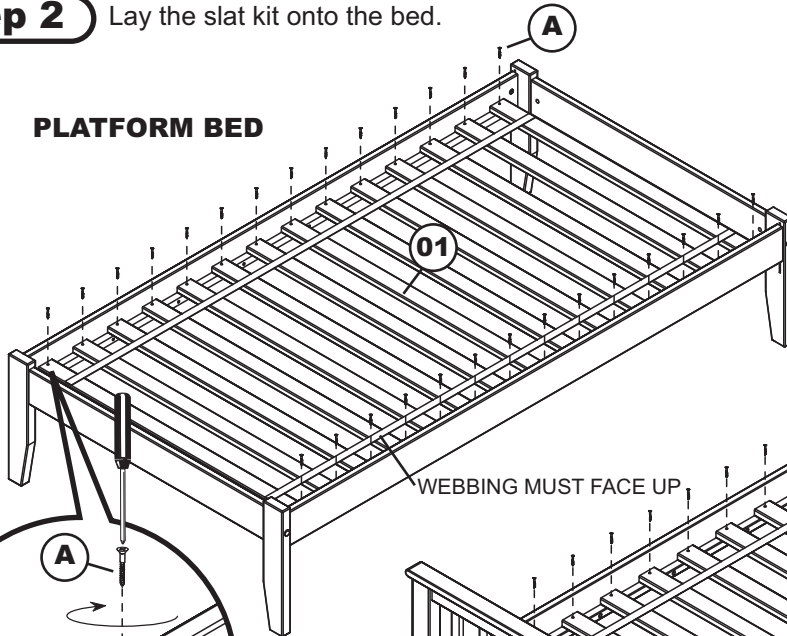
### Step 1

Assemble bed frame or bunk bed according to assembly instructions.

### Step 2

Lay the slat kit onto the bed.

**PLATFORM BED**



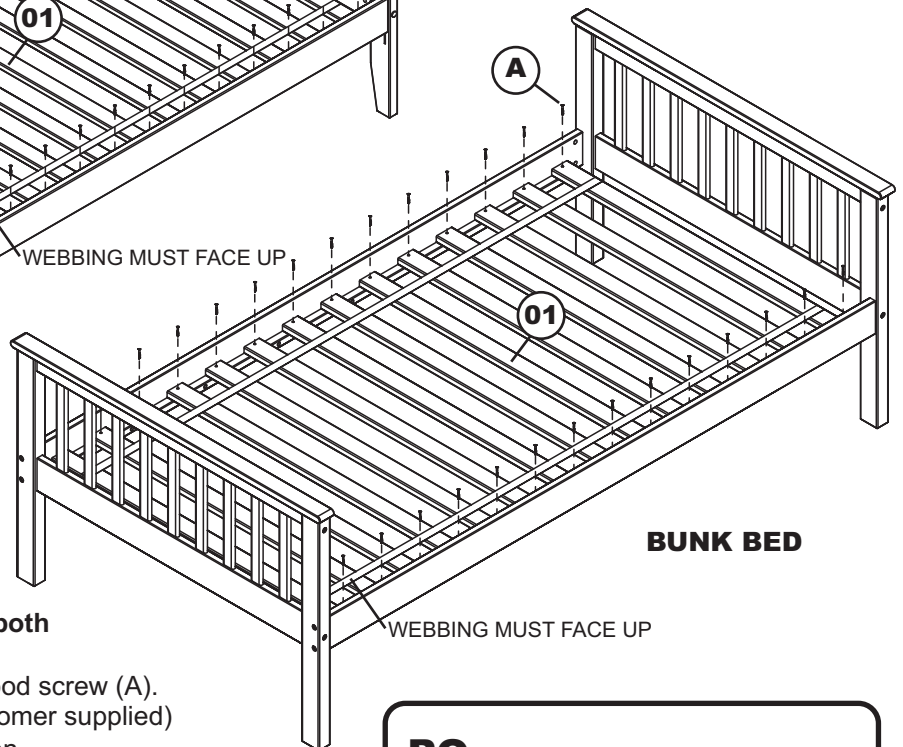
Be sure to align slat kit evenly with both ends of side rail.

Screw slat kit (01) to side rail, using wood screw (A). Tighten with Phillips screwdriver. (Customer supplied)  
Be sure the space between slats is even.

**NOTE: WEBBING MUST FACE UP**



**BUNK BED**

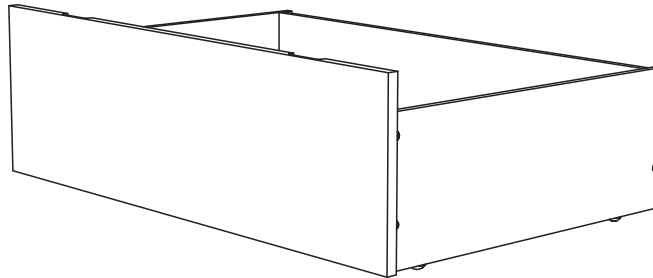
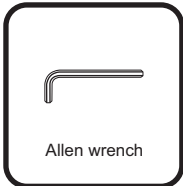


**PO :**

## ASSEMBLY INSTRUCTIONS

Before assembling your bed drawer, please read through these instructions carefully, familiarize yourself with the different parts.

**ATTENTION!** If you receive a damaged or defective item, please contact afifurnishings at customerservice@afifurnishings.com or 1-800-955-3726



NOTE : WE INCLUDE SPARE HARDWARE IN CASE DAMAGE OCCURS DURING ASSEMBLY.

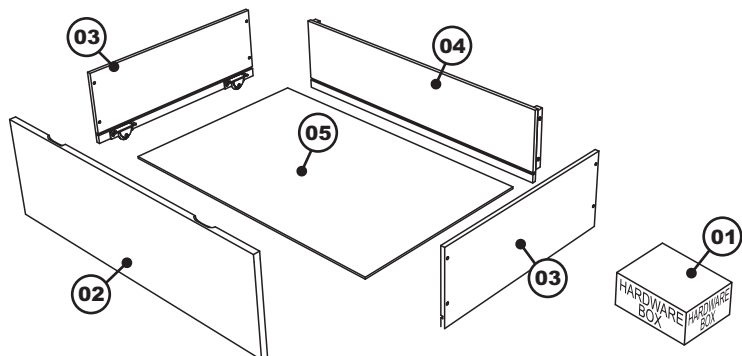

HARDWARE


**(A)** JCB M6 X 1 1/8" ( 30mm ) - 16 pcs  
Spare - 2 pcs

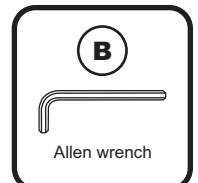
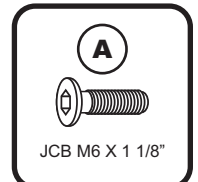
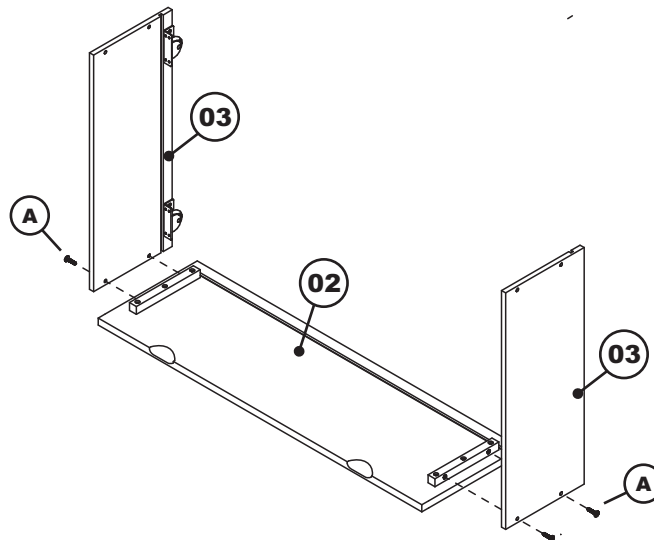
**(B)** Allen wrench - 1 pc  
Spare - 1 pc

### PARTS LIST

- (01) HARDWARE 1 BOX**
- (02) DRAWER FACE 2 PCS**
- (03) DRAWER SIDE 4 PCS**
- (04) DRAWER BACK 2 PCS**
- (05) DRAWER BOTTOM 2 PCS**



**Step 1** Lay the drawer face (02) on smooth, flat surface so the groove is facing upwards. Fit the drawer side (03) to drawer face (02), Use JCB M6 X 1 1/8" (A), align groove inside panel with groove in drawer face. Tighten with Allen wrench (B).



PO :

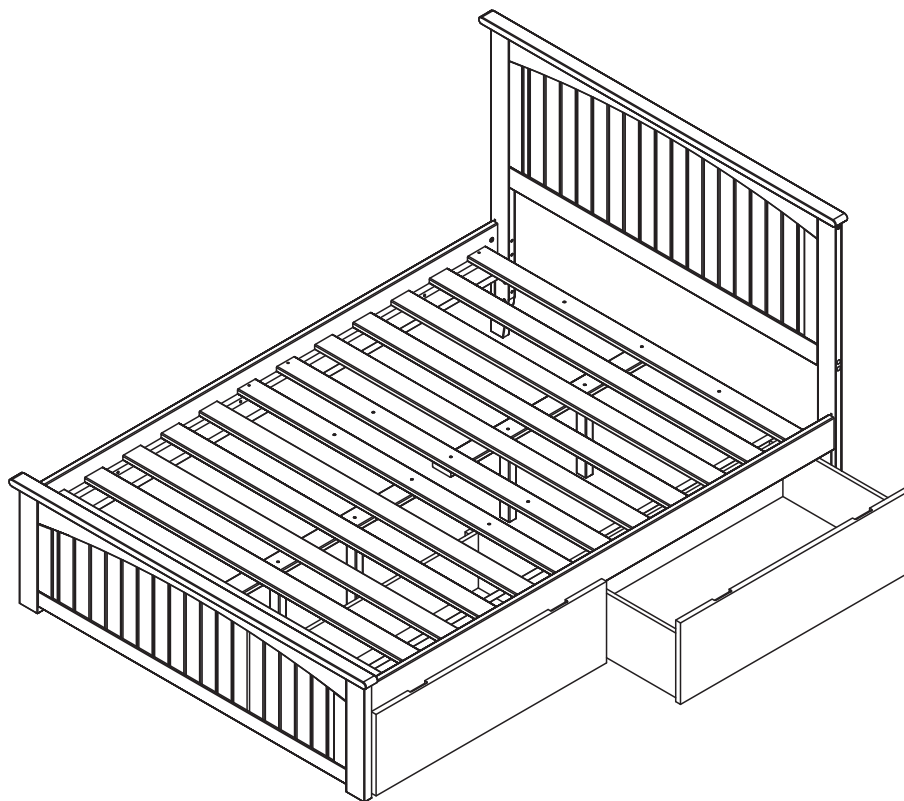
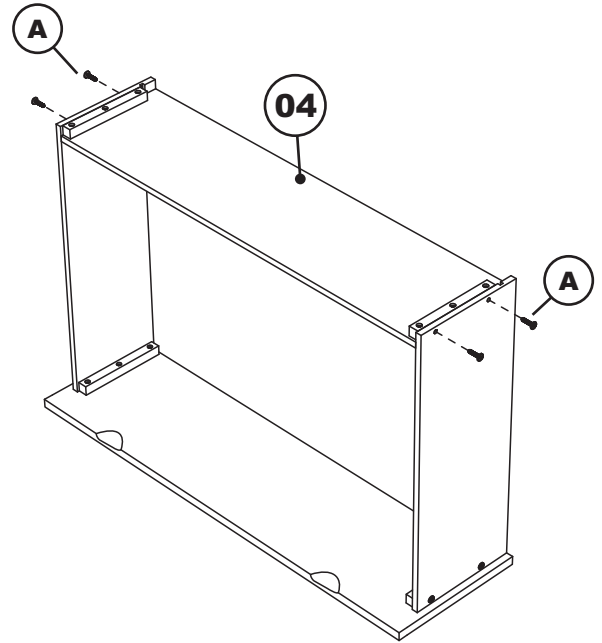
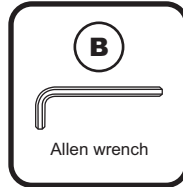
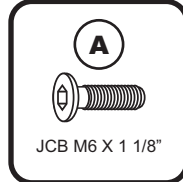
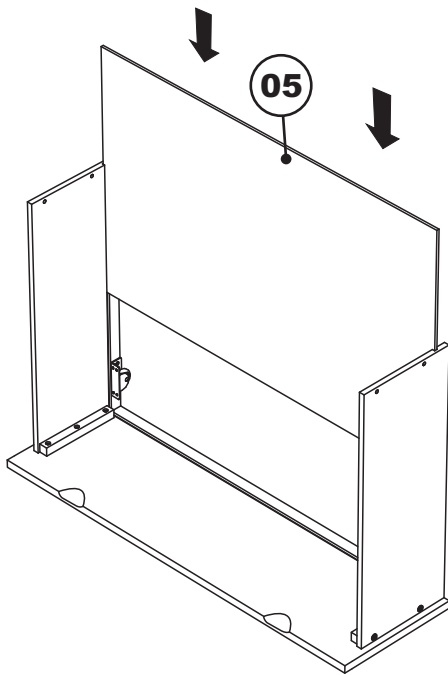
CODE	ITEM	ITEM
ST-DR-UBN	E-6683X	E-6684X

## Step 2

Guide the drawer bottom (05) in carefully so that it won't jump out of its grooves. Be sure it fits fully into its groove at the bottom (in the drawer face) before fitting the drawer back.

## Step 3

Attach drawer back (04) to bed drawer assembly as shown. Use JCB M6 X 1 1/8" (A). Tighten with Allen wrench (B).



## Congratulations!

Your Urban lifestyle bed drawers are now ready for use.  
We recommend that you recheck that all screws are tight