

ASSEMBLY INSTRUCTIONS

Before assembling your headboard, please read through these instructions carefully and familiarize yourself with the different parts.

ATTENTION! If you receive a damaged or defective item, please contact afifurnishings at customerservice@afifurnishings.com or 1-800-955-3726



PARTS LIST

- 1 HEADBOARD PANEL 1 PC
- 2 LEFT LEG 1 PC
- 3 RIGHT LEG 1 PC

Instructions apply for bed sizes
TWIN > FULL

HARDWARE

- A** JCB M6 X 110mm (4 3/8") - 4 pcs
Spare - 1 pc
- B** Barrel nut - 4 pcs
Spare - 1 pc
- F** Allen wrench - 1pc
Spare - 1pc

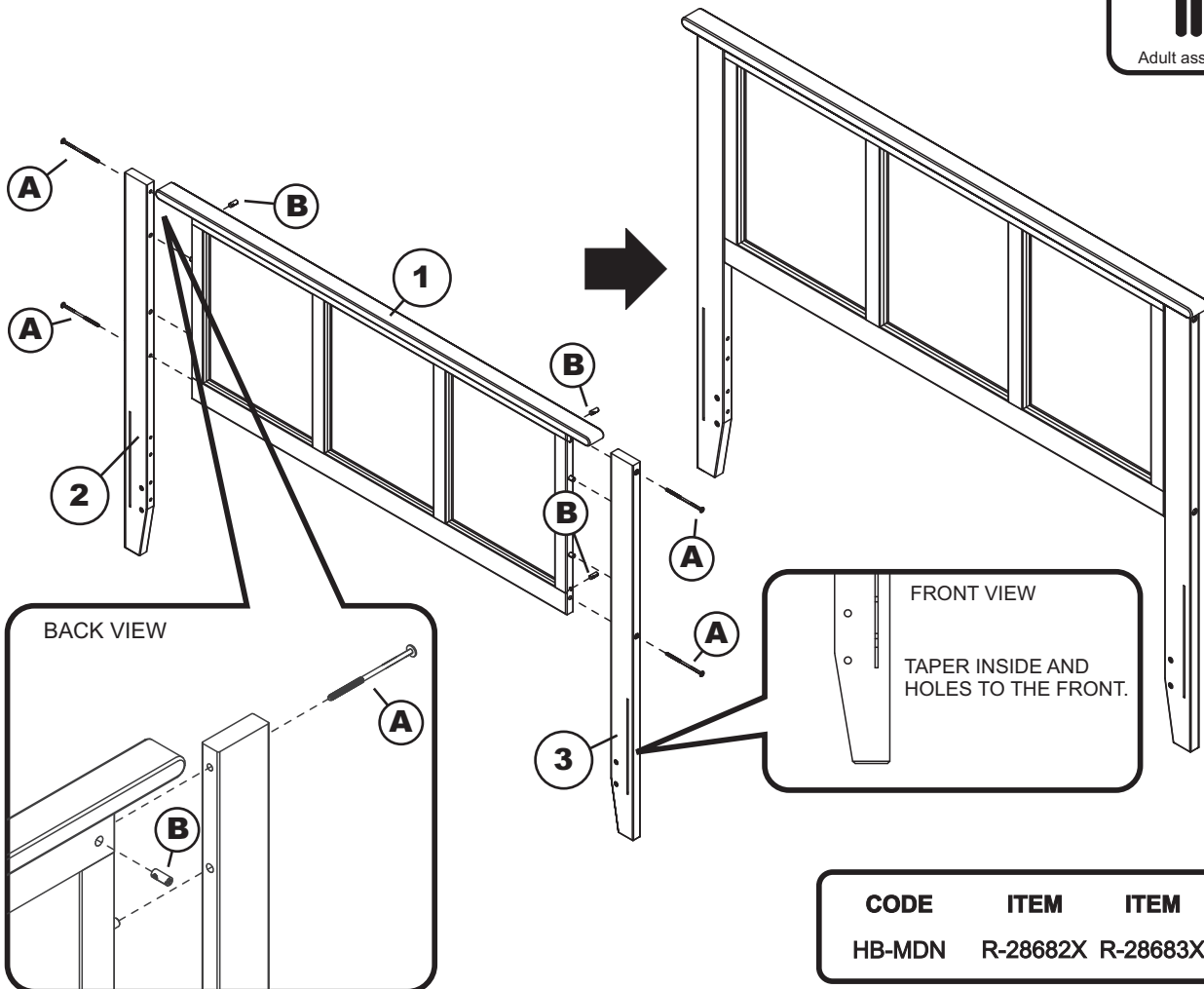
HARDWARE FOR METAL BED FRAME

- C** JCB M6 X 25mm (1") - 4 pcs
Spare - 1 pc
- D** Flat washer - 4 pcs
Spare - 1 pc
- E** Split washer - 4 pcs
Spare - 1 pc

NOTE: WE INCLUDE SPARE HARDWARE IN CASE DAMAGE OCCURS DURING ASSEMBLY.

Step 1

Attach the legs (2) and (3) to headboard panel (1), using JCB (A) and barrel nut (B). Tighten with the Allen wrench (F).



CODE	ITEM	ITEM
HB-MDN	R-28682X	R-28683X

PO :

If you purchased a wood headboard to attach to metal bed frame, please refer to page 2.

ASSEMBLY INSTRUCTION (TWIN)

Before assembling your bed slat kit, please read through these instructions carefully and familiarize yourself with the different parts.

Please note that you will require a Phillips screwdriver.

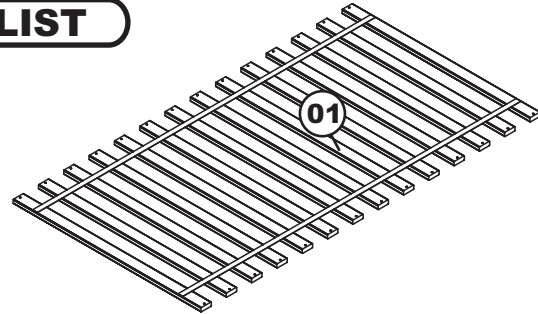
ATTENTION! If you receive a damaged or defective item, please contact afifurnishings at customerservice@afifurnishings.com or 1-800-955-3726



PARTS LIST

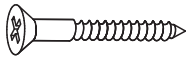
01 SLAT KIT 1 SET

CODE	ITEM
SL-PF	E-65000



NOTE: WE INCLUDE SPARE HARDWARE IN CASE DAMAGE OCCURS DURING ASSEMBLY.

A



1 1/4" Wood screw - 28 pcs Spare - 2 pcs

HARDWARE

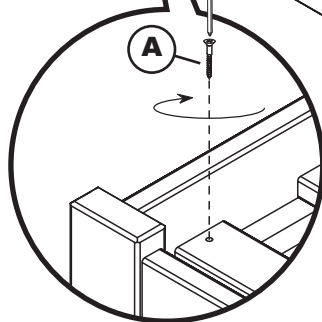
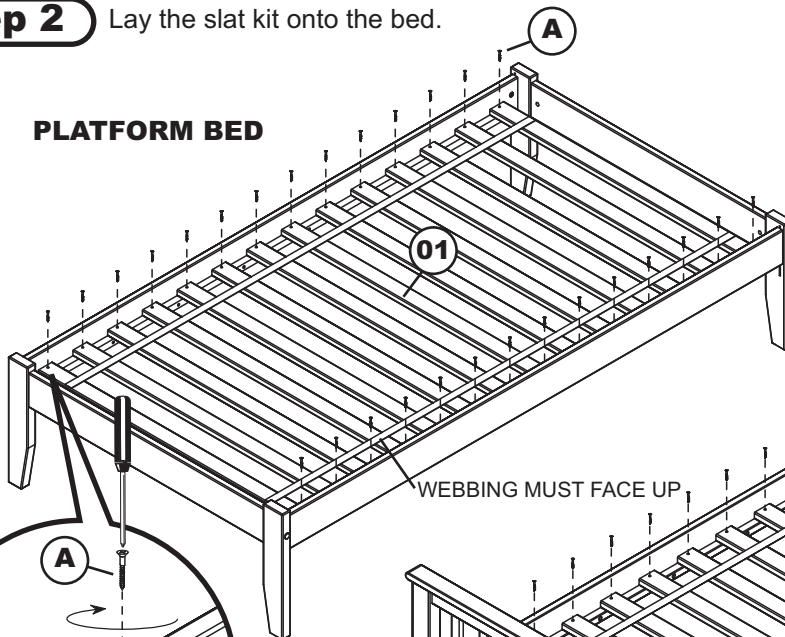
Step 1

Assemble bed frame or bunk bed according to assembly instructions.

Step 2

Lay the slat kit onto the bed.

PLATFORM BED



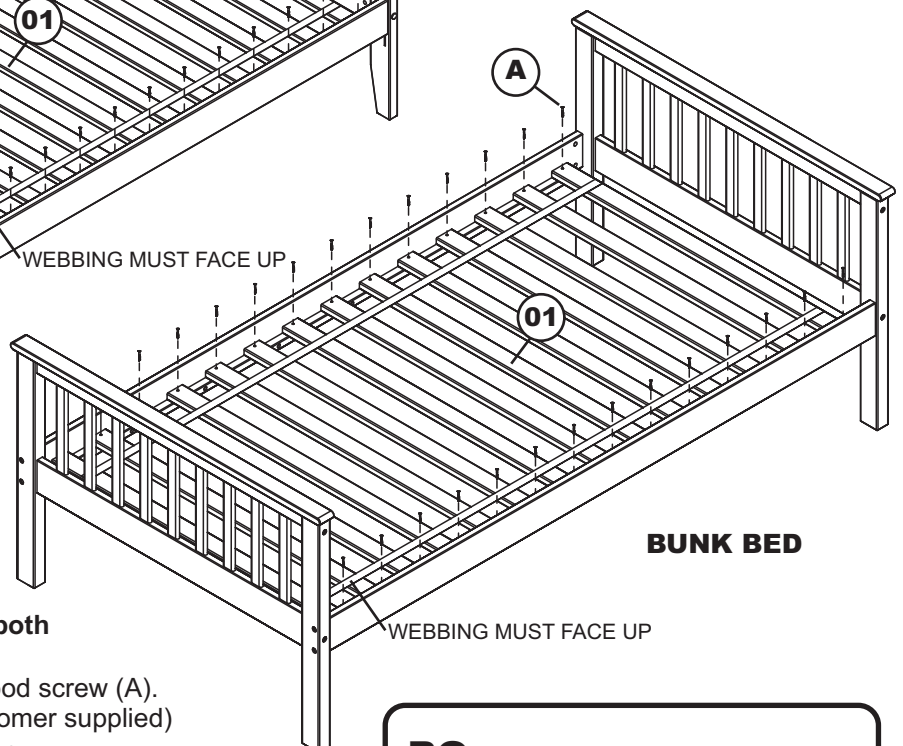
Be sure to align slat kit evenly with both ends of side rail.

Screw slat kit (01) to side rail, using wood screw (A). Tighten with Phillips screwdriver. (Customer supplied)
Be sure the space between slats is even.

NOTE: WEBBING MUST FACE UP



BUNK BED

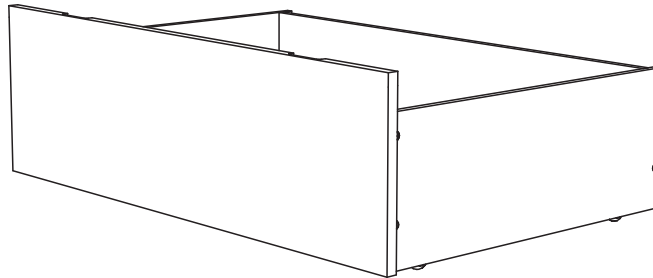
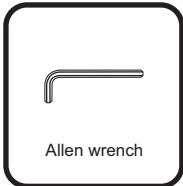


PO :

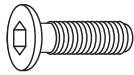
ASSEMBLY INSTRUCTIONS

Before assembling your bed drawer, please read through these instructions carefully, familiarize yourself with the different parts.

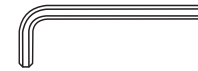
ATTENTION! If you receive a damaged or defective item, please contact afifurnishings at customerservice@afifurnishings.com or 1-800-955-3726



NOTE : WE INCLUDE SPARE HARDWARE IN CASE DAMAGE OCCURS DURING ASSEMBLY.



HARDWARE

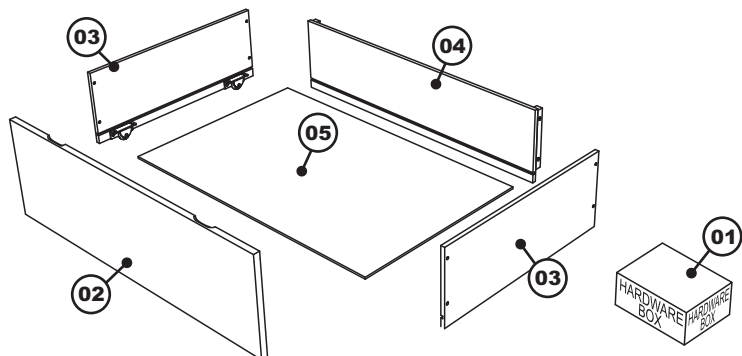


(A) JCB M6 X 1 1/8" (30mm) - 16 pcs
Spare - 2 pcs

(B) Allen wrench - 1 pc
Spare - 1 pc

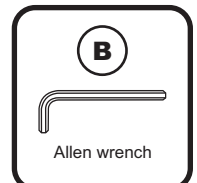
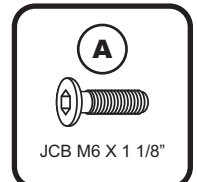
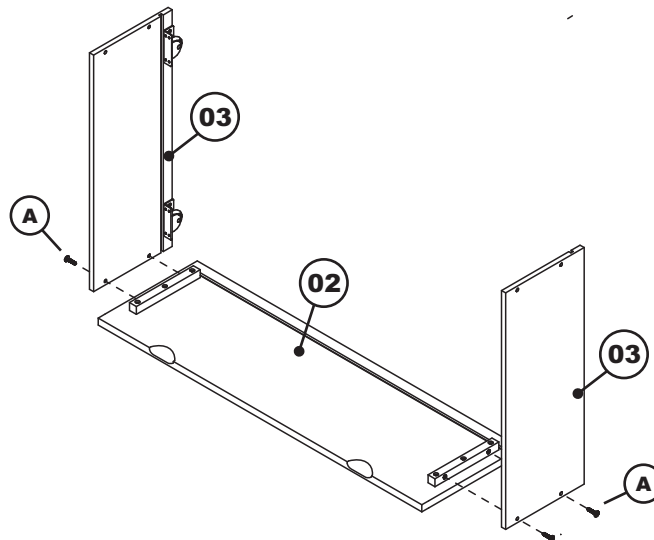
PARTS LIST

- (01) HARDWARE 1 BOX**
- (02) DRAWER FACE 2 PCS**
- (03) DRAWER SIDE 4 PCS**
- (04) DRAWER BACK 2 PCS**
- (05) DRAWER BOTTOM 2 PCS**



Step 1

Lay the drawer face (02) on smooth, flat surface so the groove is facing upwards. Fit the drawer side (03) to drawer face (02), Use JCB M6 X 1 1/8" (A), align groove inside panel with groove in drawer face. Tighten with Allen wrench (B).

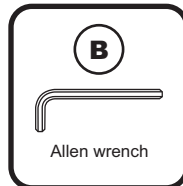
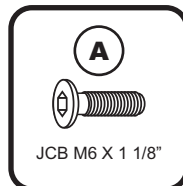
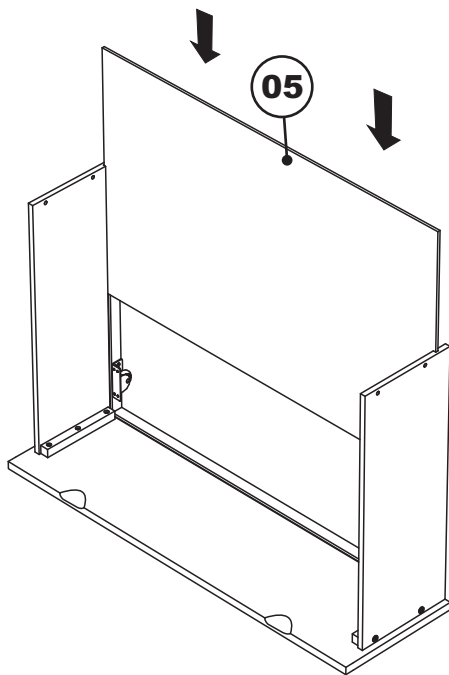


PO :

CODE	ITEM	ITEM
ST-DR-UBN	E-6683X	E-6684X

Step 2

Guide the drawer bottom (05) in carefully so that it won't jump out of its grooves. Be sure it fits fully into its groove at the bottom (in the drawer face) before fitting the drawer back.



Step 3

Attach drawer back (04) to bed drawer assembly as shown. Use JCB M6 X 1 1/8" (A). Tighten with Allen wrench (B).

