

ASSEMBLY INSTRUCTIONS

Before assembling your headboard, please read through these instructions carefully and familiarize yourself with the different parts.

ATTENTION! If you receive a damaged or defective item, please contact afifurnishings at customerservice@afifurnishings.com or 1-800-955-3726



PARTS LIST

- 1 HEADBOARD PANEL 1 PC
- 2 LEFT LEG 1 PC
- 3 RIGHT LEG 1 PC
- 4 WOOD DOWELS (Factory Installed) 4 PCS
- 5 PACKING STICK 2 PCS

Instructions apply for bed sizes
TWIN > FULL

HARDWARE

- A JCB M6 X 110mm (4 3/8") - 4 pcs
Spare - 1 pc
- B Barrel nut - 4 pcs
Spare - 1 pc
- F Allen wrench - 1pc
Spare - 1pc

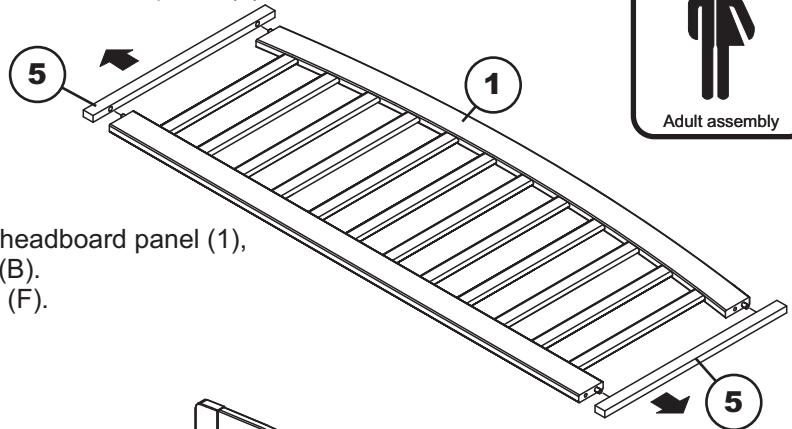
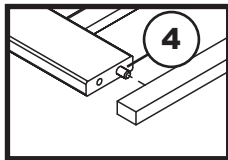
HARDWARE FOR METAL BED FRAME

- C JCB M6 X 25mm (1") - 4 pcs
Spare - 1 pc
- D Flat washer - 4 pcs
Spare - 1 pc
- E Split washer - 4 pcs
Spare - 1 pc

NOTE: WE INCLUDE SPARE HARDWARE IN CASE DAMAGE OCCURS DURING ASSEMBLY.

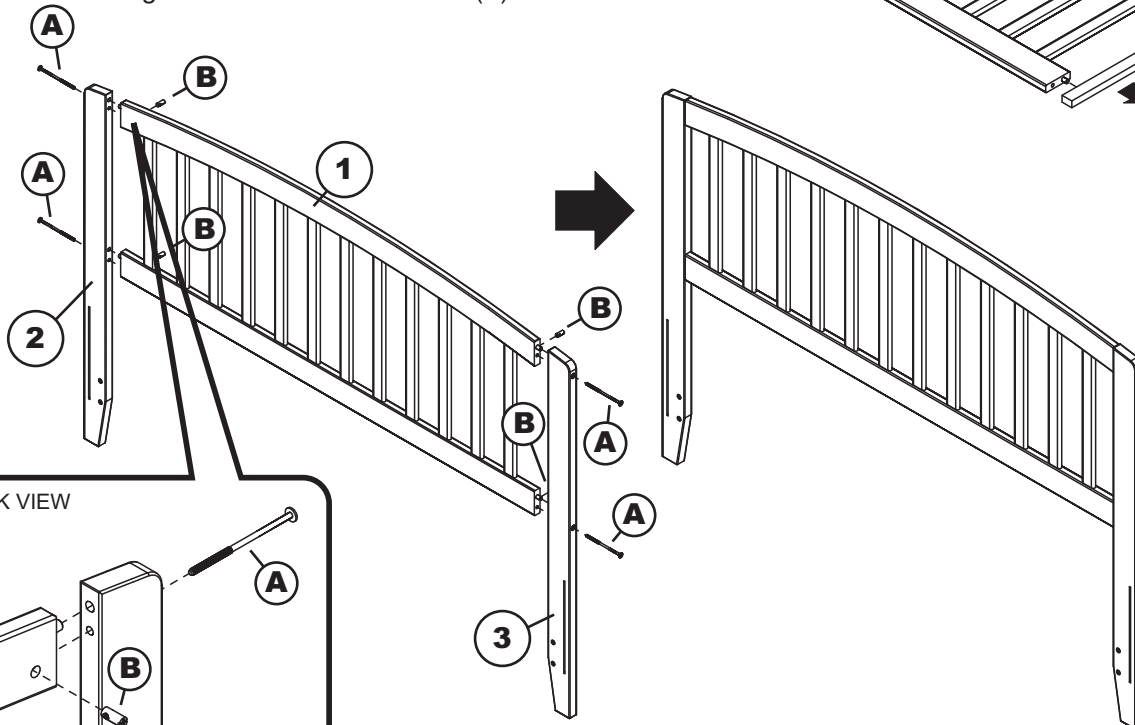
Step 1

Remove packing stick (5) from headboard panel (1) and **DISCARD**.



Step 2

Attach the legs (2) and (3) to headboard panel (1), using JCB (A) and barrel nut (B). Tighten with the Allen wrench (F).



CODE	ITEM	ITEM
HB-RCM	R-28882X	R-28883X

PO :

If you purchased a wood headboard to attach to metal bed frame, please refer to page 2.

ASSEMBLY INSTRUCTIONS

Before assembling your bed frame, please read through these instructions carefully and familiarize yourself with the different parts.

ATTENTION! If you receive a damaged or defective item, please contact afifurnishings at customerservice@afifurnishings.com or 1-800-955-3726



Instructions apply for all bed sizes
Twin > Twin XL > Full > Queen > King

PARTS LIST

HARDWARE

- 1 END RAIL 1 PC
- 2 TALL LEG 2 PCS
- 3 SHORT LEG 2 PCS
- 4 SIDE RAIL 2 PCS

- a Wooden dowels - 4 pcs
Spare - 1 pc
- b JCB M6 X 100mm (4") - 2 pcs
Spare - 1 pc
- c Barrel nut - 2 pcs
Spare - 1 pc

- d Wood button - 2 pcs
Spare - 1 pc
- e Allen wrench - 1pc
Spare - 1pc

NOTE: WE INCLUDE SPARE HARDWARE IN CASE DAMAGE OCCURS DURING ASSEMBLY.

Step 1

Insert wooden dowels (a) into the locator holes on (1) both ends of end rail.



Choose the **tall legs** when using storage drawers, Trundle bed or mattress only, choose the **short legs** if using both foundation and mattress.



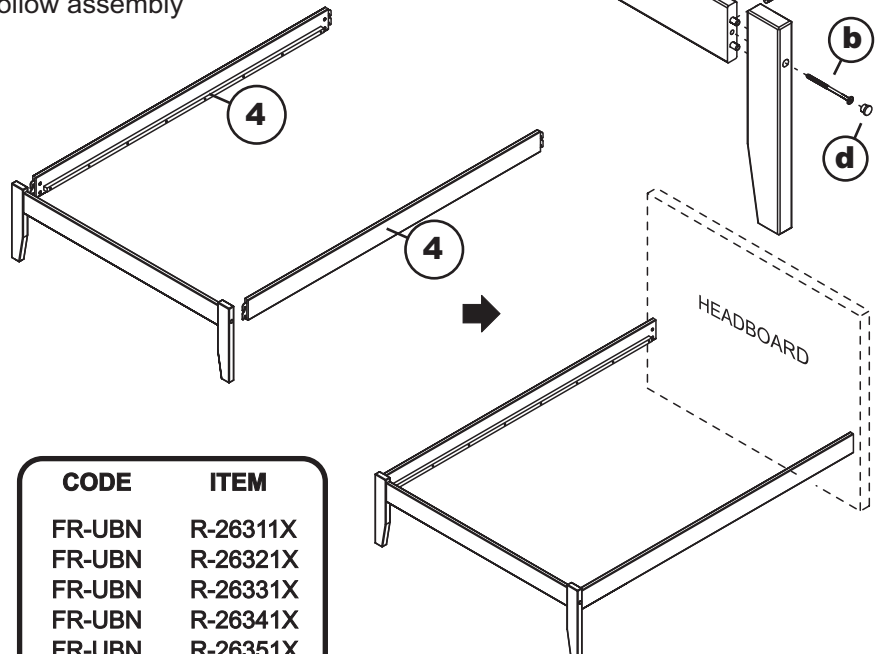
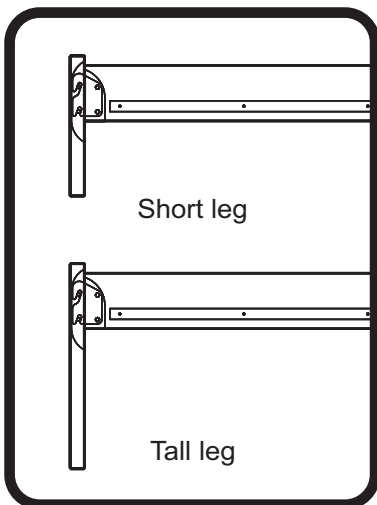
Step 2

Attach the legs (2) or (3) to end rail (1), using JCB M6 X 100mm (b) and barrel nut (c). Tighten with the Allen wrench (e). Cover holes with wood button (d).



Step 3

Attach side rails (4) to the end rail using bed hook as shown. For headboard assembly, follow assembly instructions included with headboard.



CODE	ITEM
FR-UBN	R-26311X
FR-UBN	R-26321X
FR-UBN	R-26331X
FR-UBN	R-26341X
FR-UBN	R-26351X

PO:

ASSEMBLY INSTRUCTIONS (FULL)

Before assembling your Support boards, please read through these instructions carefully and familiarize yourself with the different parts.

Please note that you will require a Phillips screwdriver.

ATTENTION! If you receive a damaged or defective item, please contact afifurnishings at customerservice@afifurnishings.com or 1-800-955-3726

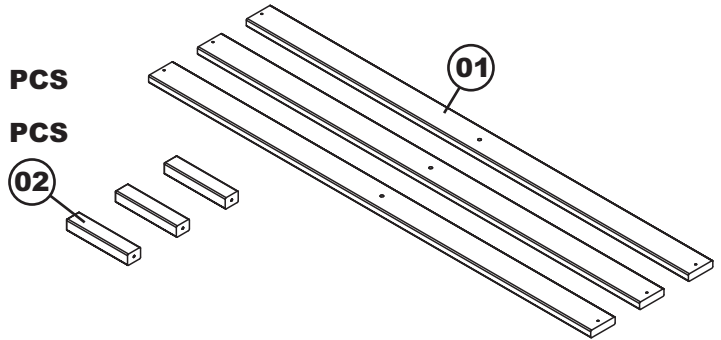


PARTS LIST

- 01 SUPPORT BOARDS 3 PCS**
- 02 CENTER LEG 3 PCS**

CODE	ITEM
SL-FN	E-64300

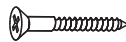
PO :



HARDWARE



- A** 1 1/2" Allen screw - 3 pcs
Spare - 1 pc



- B** 1 1/4" Wood screw - 6 pcs
Spare - 1 pc



- C** Allen wrench - 1 pc
Spare - 1 pc

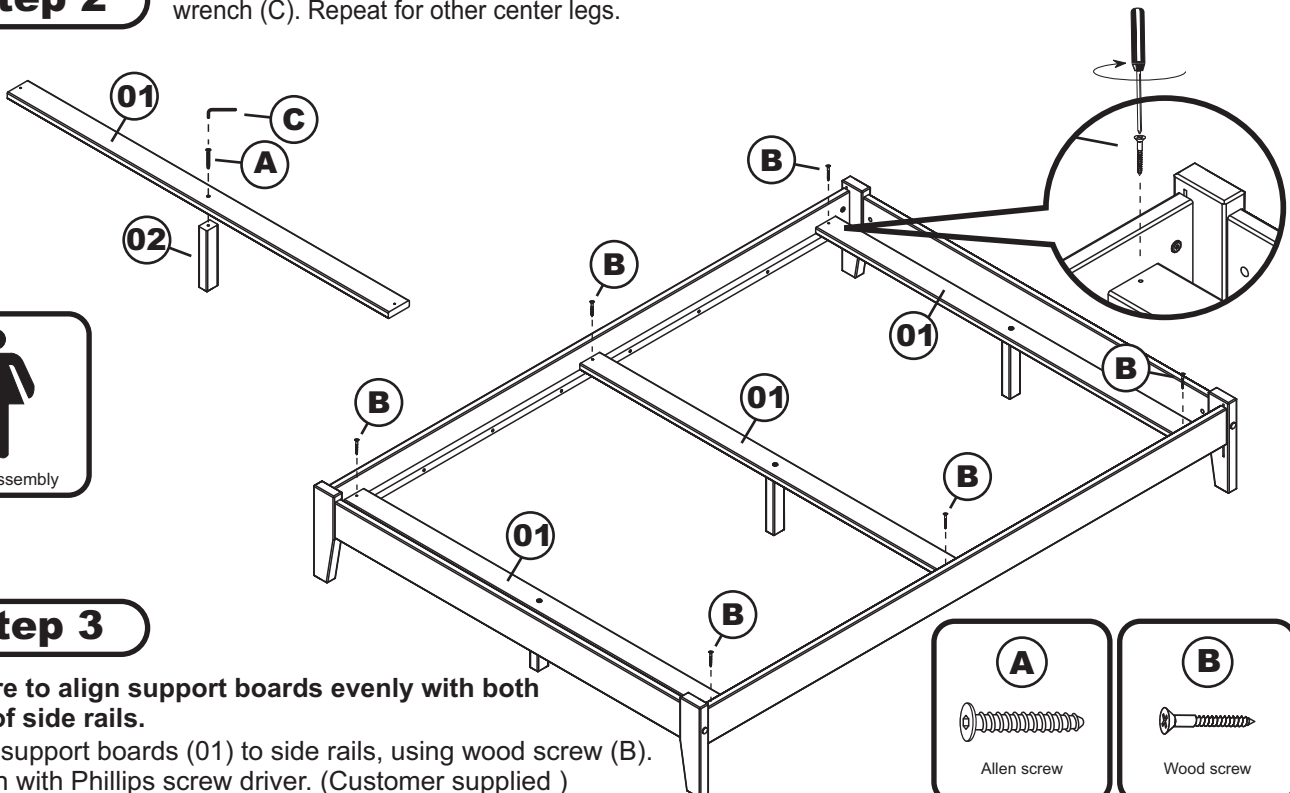
NOTE: WE INCLUDE SPARE HARDWARE IN CASE DAMAGE OCCURS DURING ASSEMBLY.

Step 1

Assemble bed frame according to assembly instructions.

Step 2

Assemble center leg (02) and support boards (01). Using allen screw (A). Tighten with the Allen wrench (C). Repeat for other center legs.



Step 3

Be sure to align support boards evenly with both ends of side rails.

Screw support boards (01) to side rails, using wood screw (B). Tighten with Phillips screw driver. (Customer supplied)

Be sure the space between support boards is even.

