

QUEEN / KING

ASSEMBLY INSTRUCTIONS

Before assembling your bed frame, please read through these instructions carefully and familiarize yourself with the different parts.


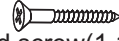



ATTENTION! If you receive a damaged or defective item, please contact afifurnishings at customerservice@afifurnishings.com or 1-800-955-3726

PARTS LIST

- ① **SIDE RAILS** **2 PCS**
- ② **SUPPORT BOARD** **4 PCS**
- ③ **CENTER LEGS** **4 PCS**

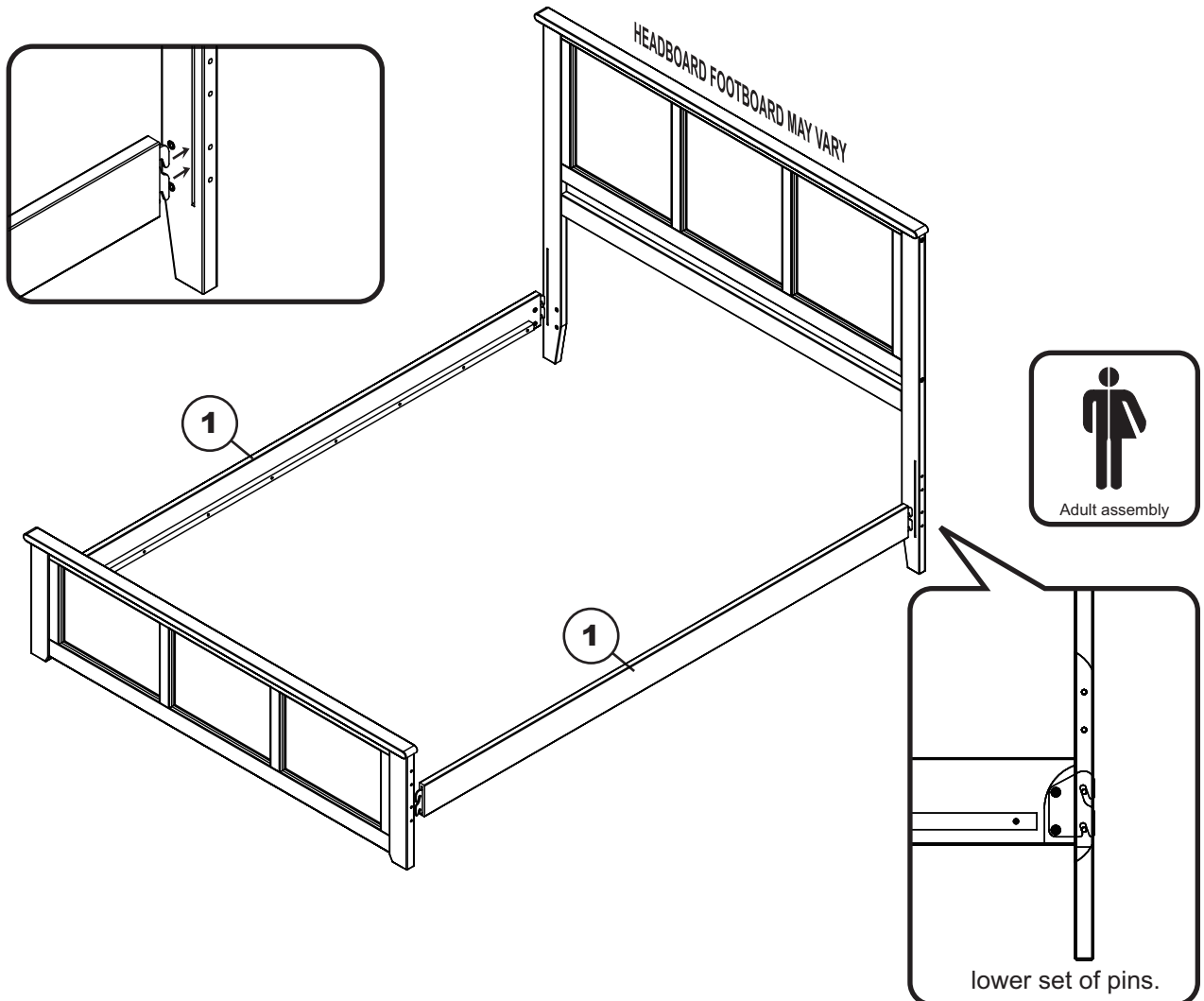
HARDWARE

- Ⓐ  Allen Screw - 4 pcs
Spare - 1 pc
- Ⓑ  Wood screw(1 1/4") - 8 pcs
Spare - 1 pc
- Ⓒ  Allen wrench - 1pc
Spare - 1pc

NOTE: WE INCLUDE SPARE HARDWARE IN CASE DAMAGE OCCURS DURING ASSEMBLY.

Step 1

Attach side rails (1) to the headboard and footboard. For assembly, follow the assembly instructions included with your headboard and footboard.



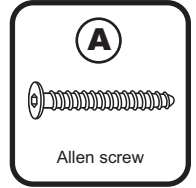
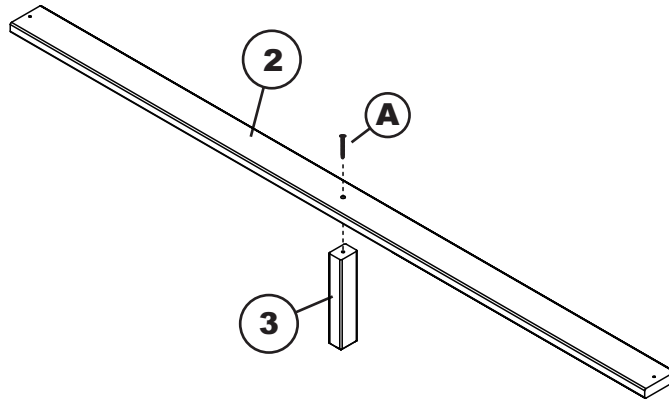
PO:

CODE	ITEM	ITEM
FR-UBN2-FNM	R-26514X	R-26515X

QUEEN / KING

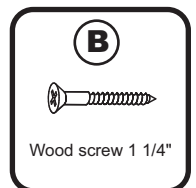
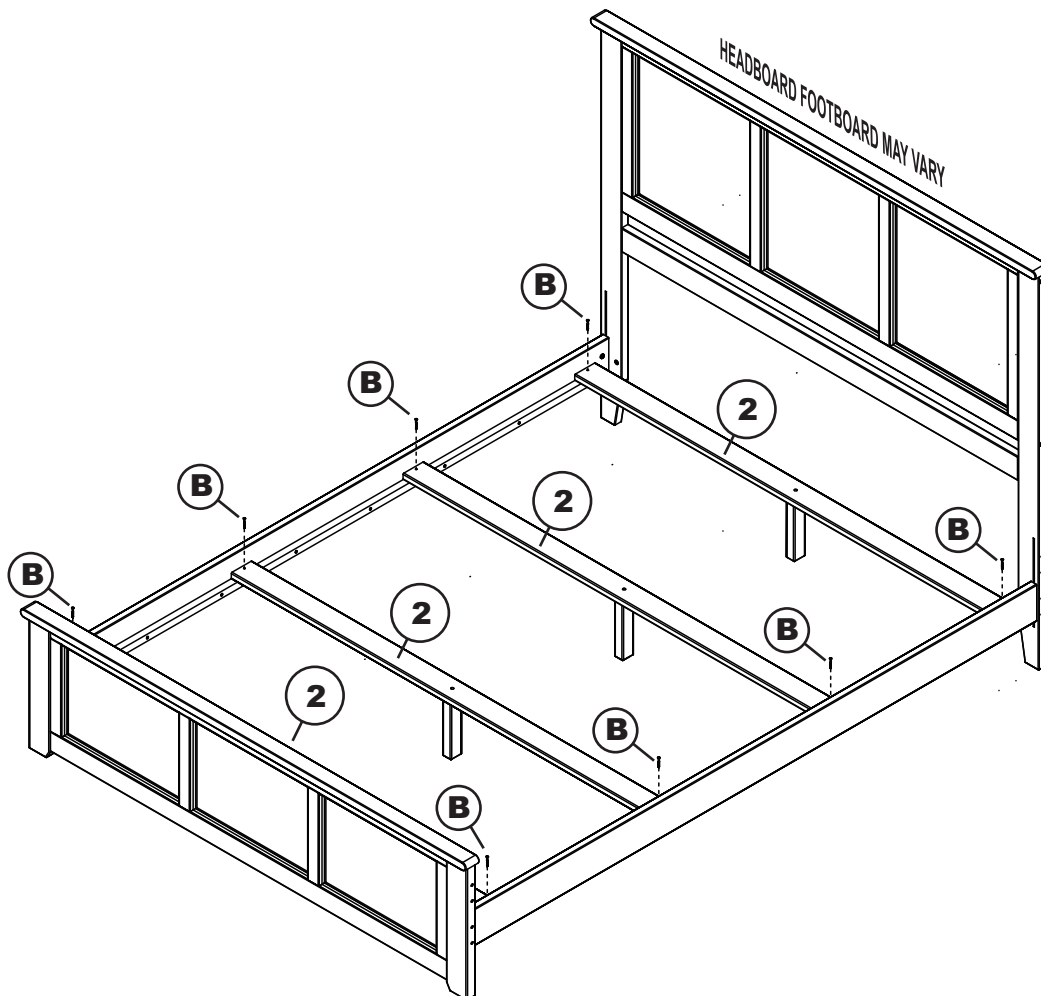
Step 2

Attach center leg (3) to support board (2) as shown below. Using allen screw (A) tighten with Allen wrench (C). Repeat the others.



Step 3

Attach support board (2) to the bed as shown below using wood screws 1 1/4" (B). Tighten with Phillips head screw driver. (customer supplied)



Congratulations!

Your bed is now ready for use.

We recommend that you periodically recheck that all screws are tight to ensure lasting safety.

ASSEMBLY INSTRUCTIONS

Before assembling your bed, please read through these instructions carefully and familiarize yourself with the different parts.

ATTENTION! If you receive a damaged or defective item, please contact afifurnishings at customerservice@afifurnishings.com or 1-800-955-3726



PARTS LIST

- ① HEADBOARD PANEL 1 PC
- ② LEFT LEG 1 PC
- ③ RIGHT LEG 1 PC
- ④ WOOD DOWELS (Factory Installed) 8 PCS
- ⑤ PILLOW STOP 1 PC
- ⑥ FOOTBOARD 1 PC

Instructions apply for bed sizes
QUEEN > KING

HARDWARE

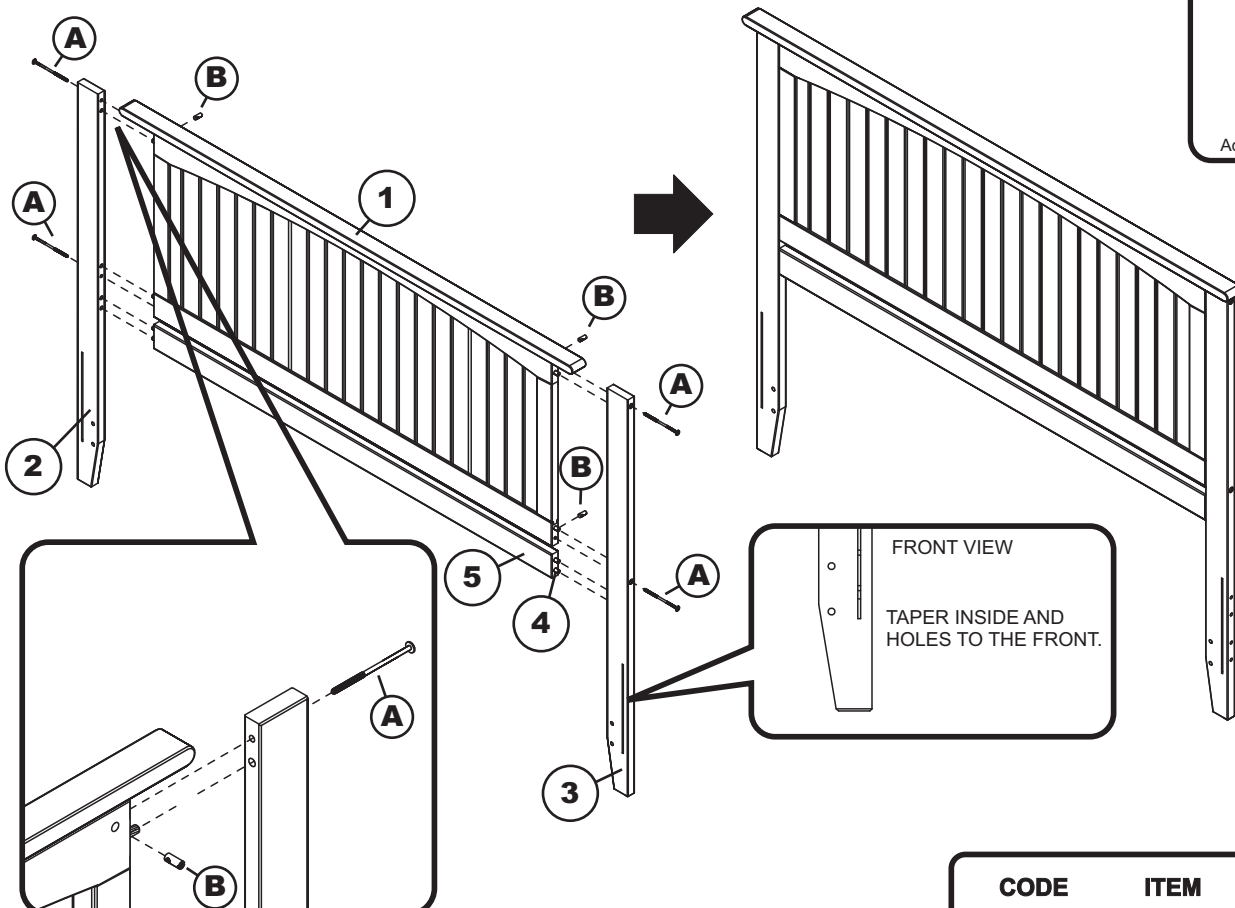
- Ⓐ JCB M6 X 110mm (4 3/8") - 4 pcs
Spare - 1 pc
- Ⓑ Barrel nut - 4 pcs
Spare - 1 pc

- Ⓒ Allen wrench - 1pc
Spare - 1pc

NOTE: WE INCLUDE SPARE HARDWARE IN CASE DAMAGE OCCURS DURING ASSEMBLY.

Step 1

Attach the legs (2) and (3) to headboard panel (1) and pillow stop (4) using JCB (A) and barrel nut (B). Tighten with the Allen wrench (C).



CODE	ITEM	ITEM
HBFB-NKT	R-28274X	R-28275X

PO :

Congratulations!

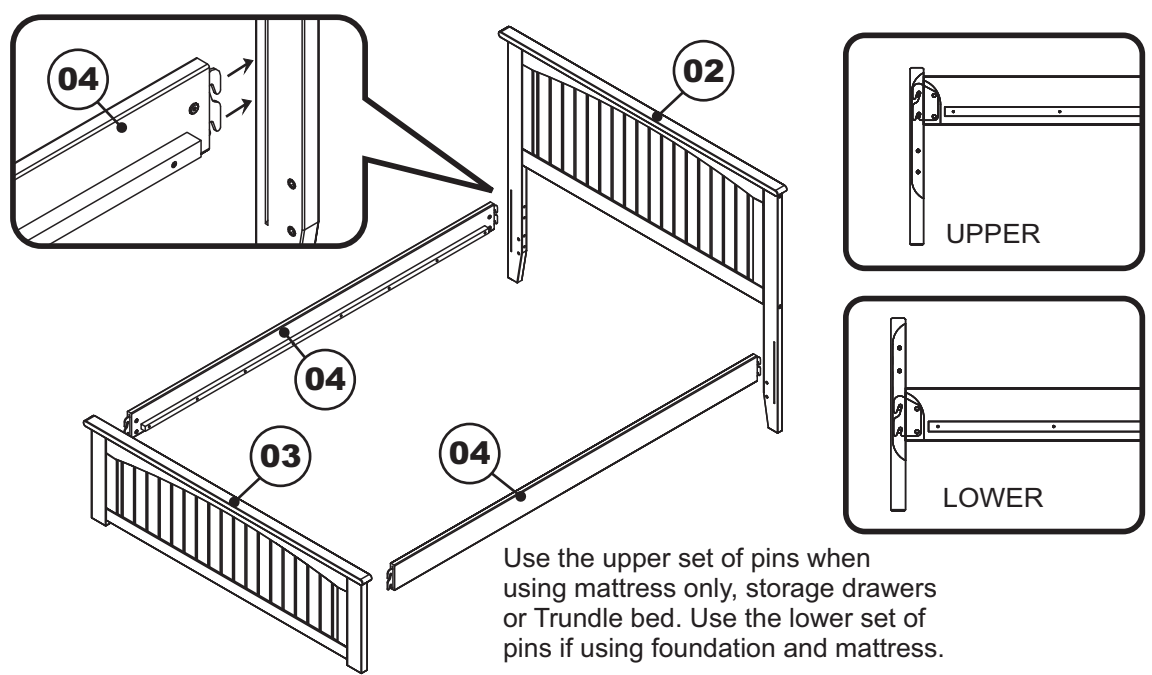
Your headboard is now assembled.

To ensure lasting safety, we recommend that you periodically check that all screws are tight and all parts are secure.

- 01 **HARDWARE**
- 02 **HEADBOARD** — **BOX 1**
- 03 **FOOTBOARD**
- 04 **SIDE RAILS** — **BOX 2**



Step 1 Attach the side rails (04) to the headboard (02) and footboard (03) using the bed hook as shown below.



Step 2 Lastly, lay slat kit or foundation support board onto the bed. For assembly, follow the assembly instructions included with support system.

PLATFORM BED - TALL HEIGHT



TRADITIONAL BED - LOW HEIGHT

