



*ASSEMBLY INSTRUCTIONS
COASTER FINE FURNITURE*



Fine Furniture for every stage of life

903176
Accent Chair

ITEM: 903176



ASSEMBLY INSTRUCTIONS

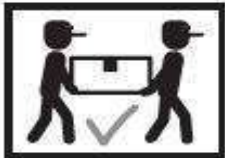
ASSEMBLY TIPS:

1. Remove hardware from box and sort by size.
2. Please check to see that all hardware and parts are present prior to start of assembly.
3. Please follow attached instructions in the same sequence as numbered to assure fast & easy assembly.



WARNING!

1. Don't attempt to repair or modify parts that are broken or defective. Please contact the store immediately.
2. This product is for home use only and not intended for commercial establishments.



ASSEMBLY TIME

5 MINUTES

PARTS IDENTIFICATION

A CHAIR



1PC

B LEG



4PCS

HARDWARE IDENTIFICATION

1 PLASTIC WASHER
(Ø45 x 2mm - BLK)



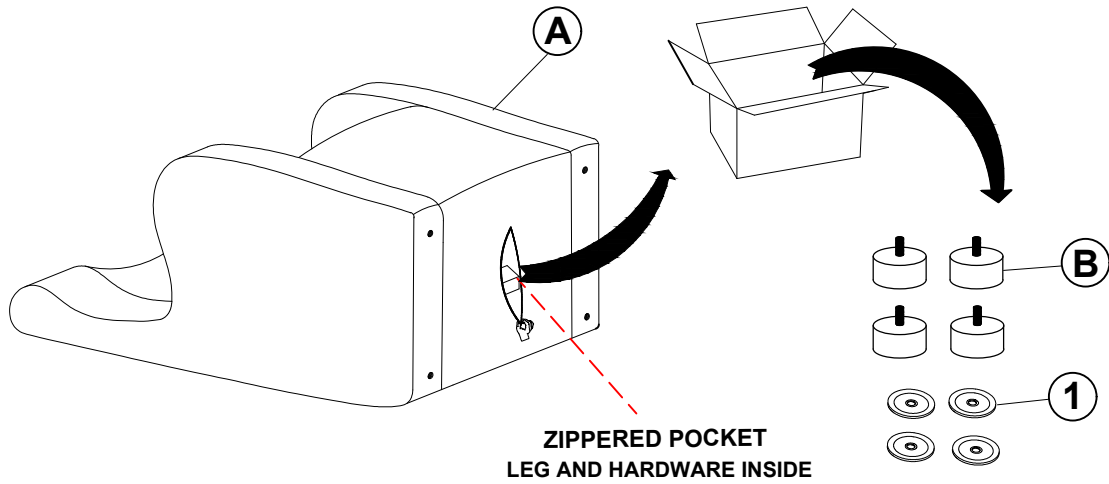
4PCS

ITEM: **903176**

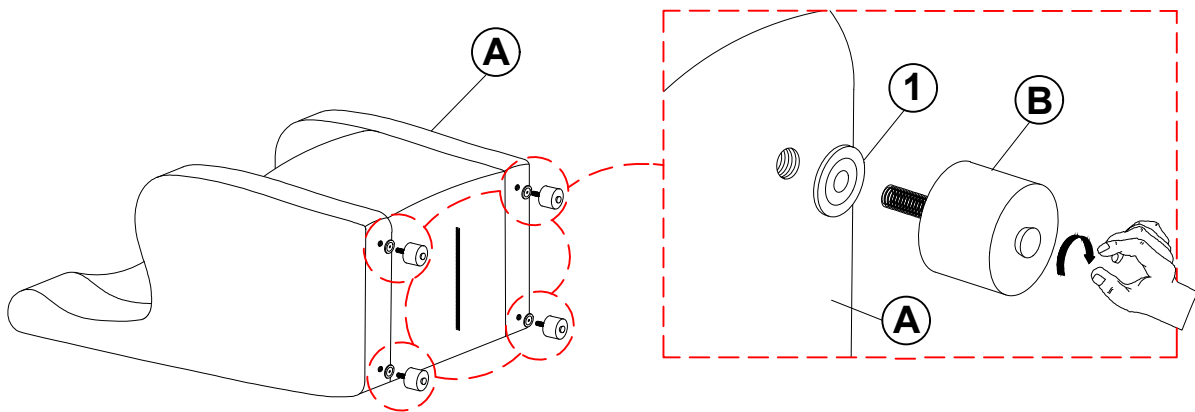
ASSEMBLY INSTRUCTIONS



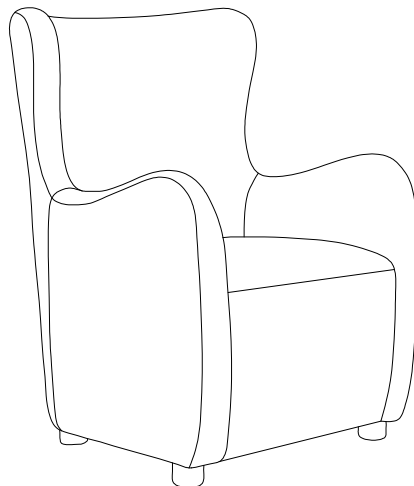
STEP 1



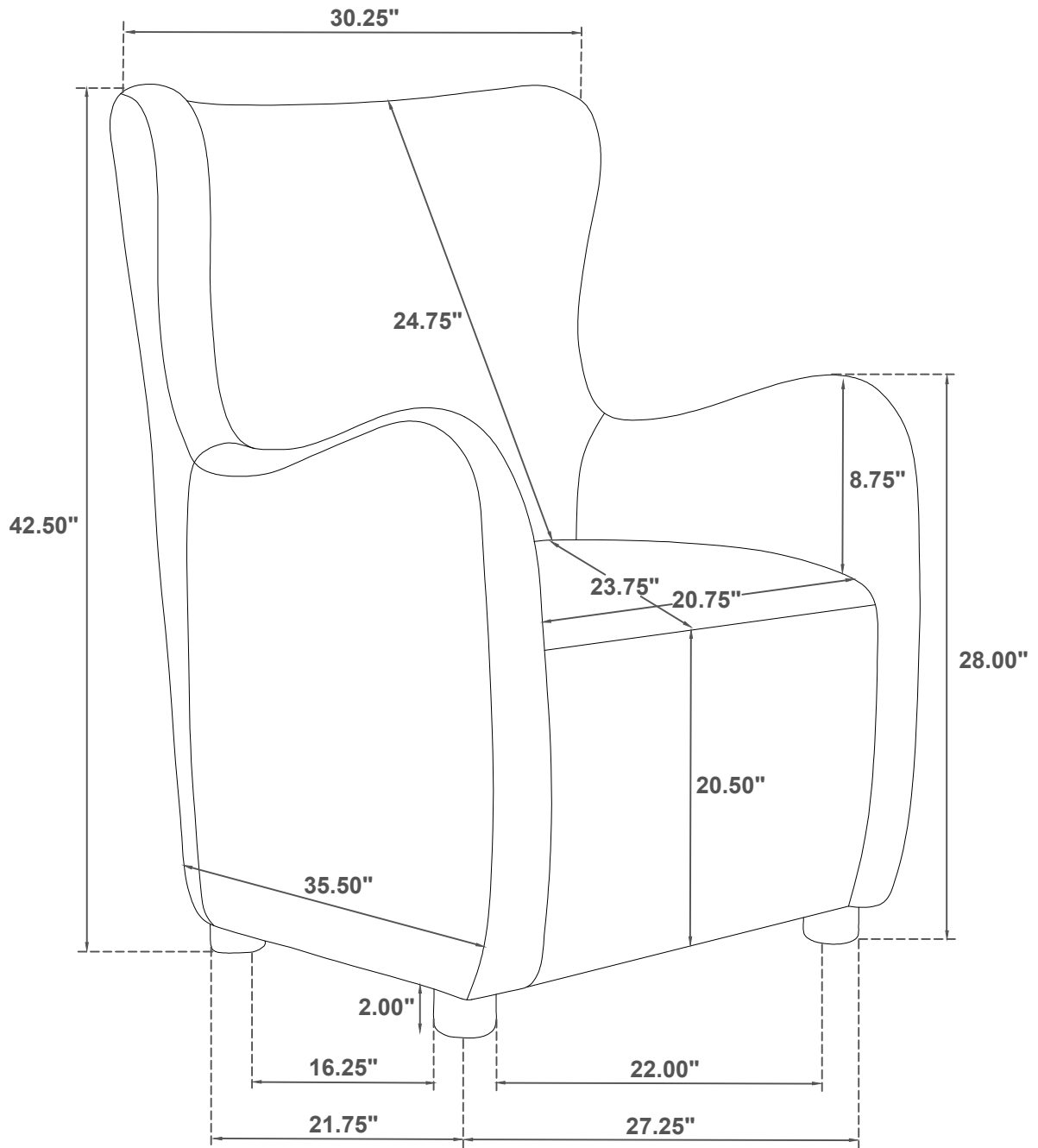
STEP 2



STEP 3
COMPLETE



ITEM: 903176



Note: Dimension tolerance $\pm 5\%$