



*ASSEMBLY INSTRUCTIONS  
COASTER FINE FURNITURE*



*Fine Furniture for every stage of life*

**122179GRY**  
**Counter Chair**

# ITEM: 122179GRY

## ASSEMBLY INSTRUCTIONS



### ASSEMBLY TIPS:

1. Remove hardware from box and sort by size.
2. Please check to see that all hardware and parts are present prior to start of assembly.
3. Please follow attached instructions in the same sequence as numbered to assure fast & easy assembly.



### WARNING!





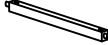
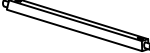
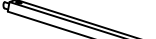
1. Don't attempt to repair or modify parts that are broken or defective. Please contact the store immediately.
2. This product is for home use only and not intended for commercial establishments.



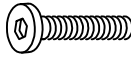




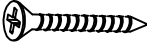

ASSEMBLY TIME

10 MINUTES

## PARTS IDENTIFICATION

A	BACK FRAME		1PC
B	SEAT CUSHION		1PC
C	RIGHT LEG WITH LABEL "R"		1PC
D	LEFT LEG WITH LABEL "L"		1PC
E	FRONT STRETCHER		1PC
F	RIGHT STRECTHER WITH LABEL "R"		1PC
G	LEFT STRECTHER WITH LABEL "L"		1PC

## HARDWARE IDENTIFICATION

1	SHORT BOLT (M6 x 40MM - RBW)		2PCS
2	MEDIUM BOLT (M6 x 60MM - RBW)		4PCS
3	LONG BOLT (M6 x 80MM - RBW)		4PCS
4	LOCK WASHER (M6 x 12MM - RBW)		10PCS
5	FLAT WASHER (M6 x 19MM - RBW)		10PCS
6	FLAT HEAD SCREW (M4 x 38MM - RBW)		6PCS
7	ALLEN WRENCH (M4 x 100MM - BLK)		1PC

### NOTE:

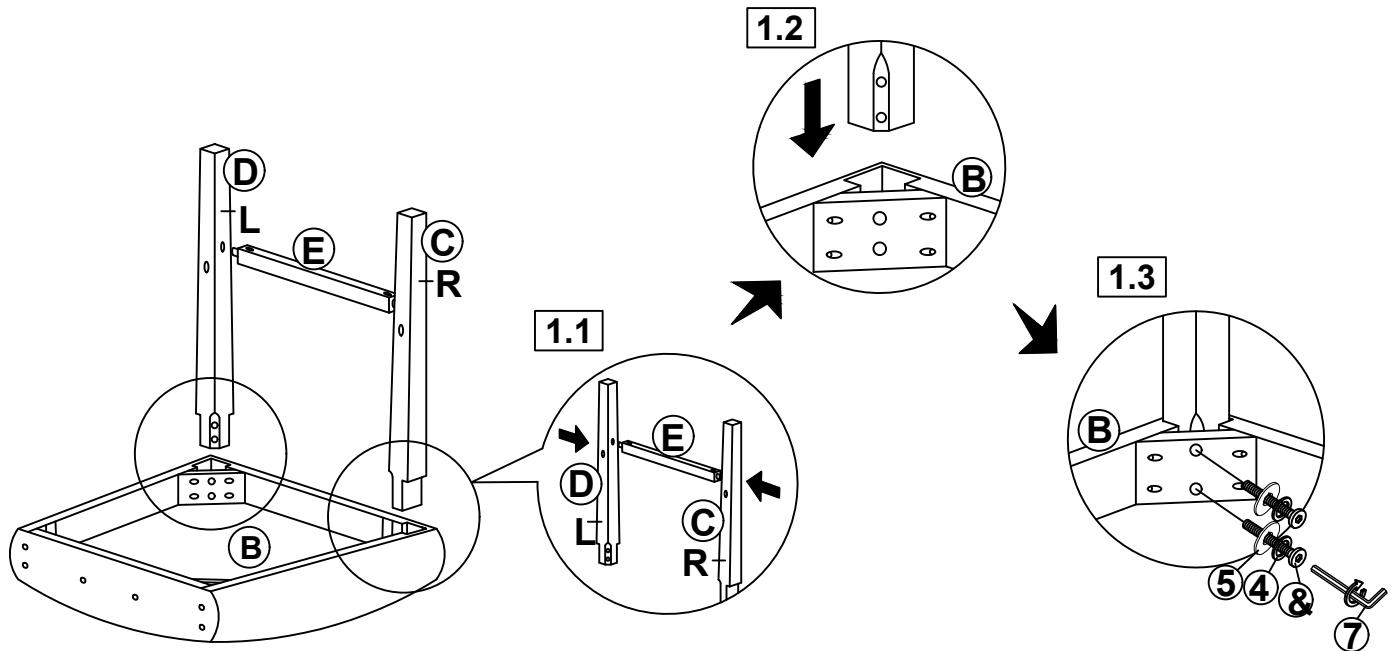
Quantities shown are for one chair.

Phillips head screw driver is required in the assembly process; however, manufacturer does not provide this item.

# ITEM: 122179GRY

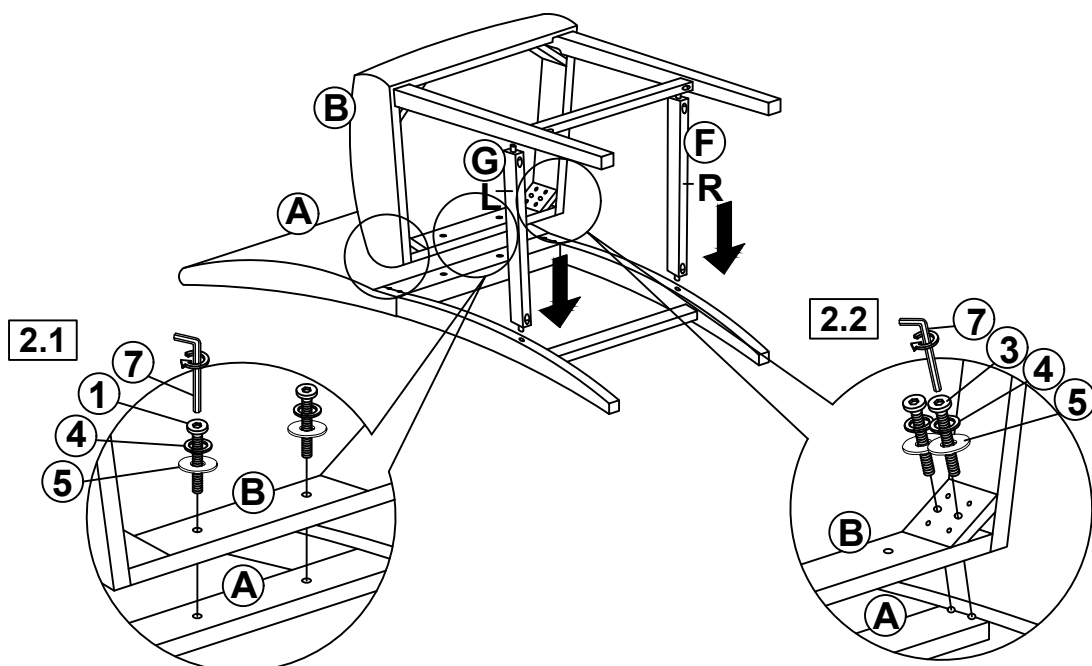
## ASSEMBLY INSTRUCTIONS

### STEP 1



### STEP 2

Do not fully tighten screws in this step.

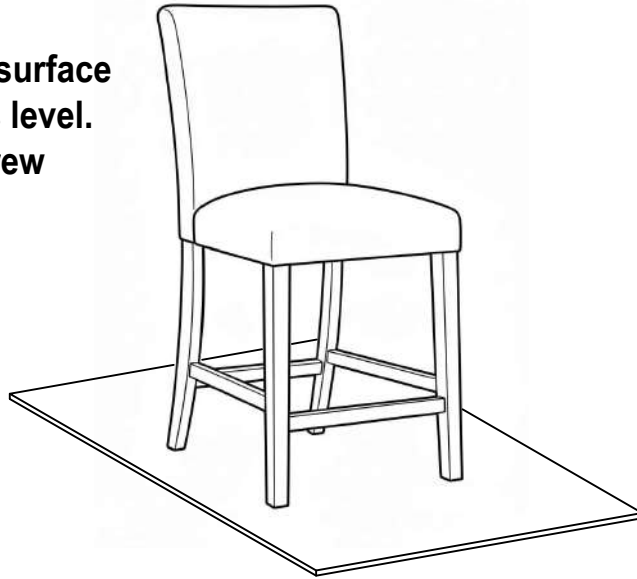


ITEM: **122179GRY**

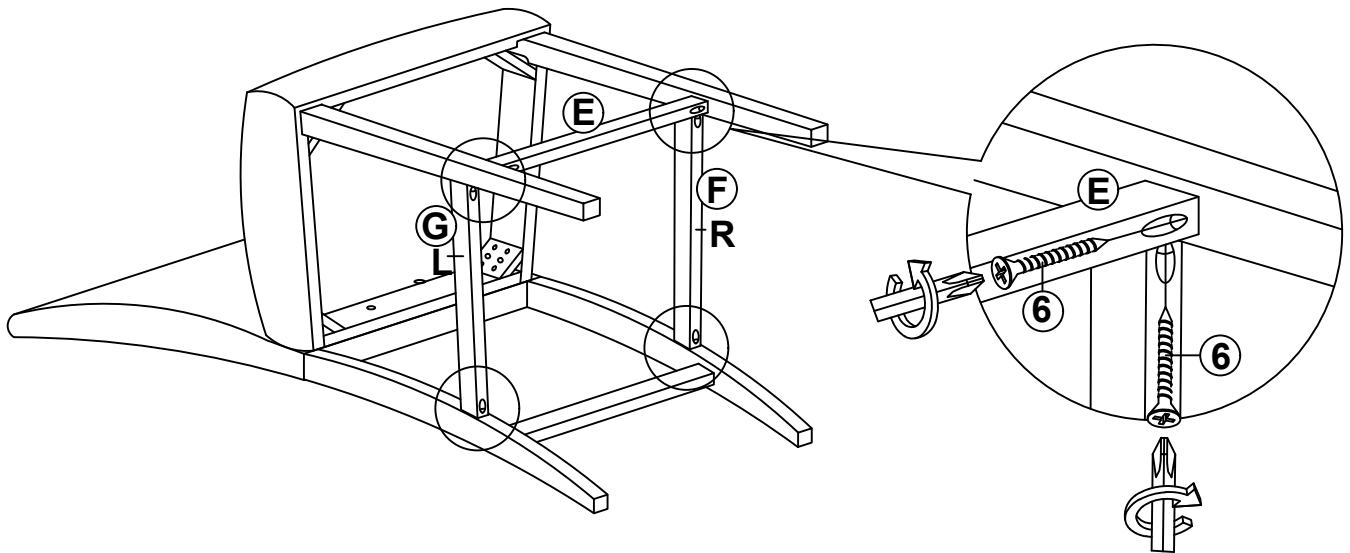
**ASSEMBLY INSTRUCTIONS**

**STEP 3**

Place the chair on the flat surface and make sure the chair is level. Completely tighten the screw after Step 3.

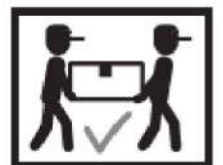


**STEP 4**

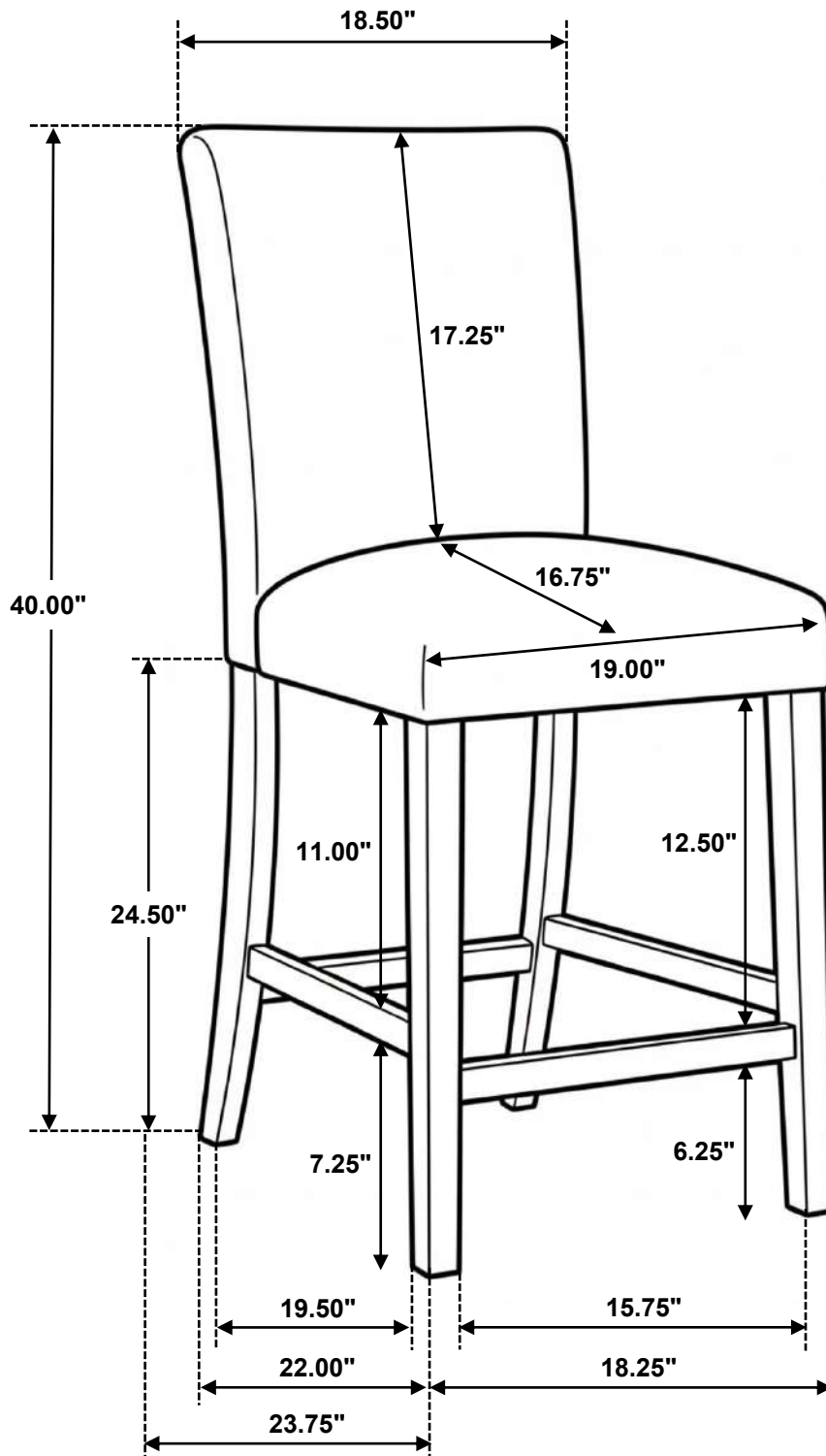


**STEP 5**

**COMPLETE**



ITEM: 122179GRY



Note: Dimension tolerance  $\pm 5\%$