



ASSEMBLY INSTRUCTIONS
COASTER FINE FURNITURE



Fine Furniture for every stage of life

122178BG
Counter Height Dining Table

ITEM: 122178BG

ASSEMBLY INSTRUCTIONS



ASSEMBLY TIPS:

1. Remove hardware from box and sort by size.
2. Please check to see that all hardware and parts are present prior to start of assembly.
3. Please follow attached instructions in the same sequence as numbered to assure fast & easy assembly.



WARNING!

1. Don't attempt to repair or modify parts that are broken or defective. Please contact the store immediately.
2. This product is for home use only and not intended for commercial establishments.

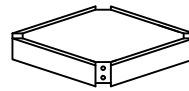


ASSEMBLY TIME

15 MINUTES

PARTS IDENTIFICATION

A LEG SUPPORT FRAME



1PC

B LEG



4PCS

C DISC WITH BOLT



4SETS

D GLASS TOP
FROM BOX ITEM# CB48RD-6



1PC

HARDWARE IDENTIFICATION

1 BOLT
(M8 x 60MM -RBW)



8PCS

2 LOCK WASHER
(M8 x 13MM - RBW)



8PCS

3 FLAT WASHER
(M8 x 22MM - RBW)



8PCS

4 ALLEN WRENCH
(M5 x 65MM -BLK)

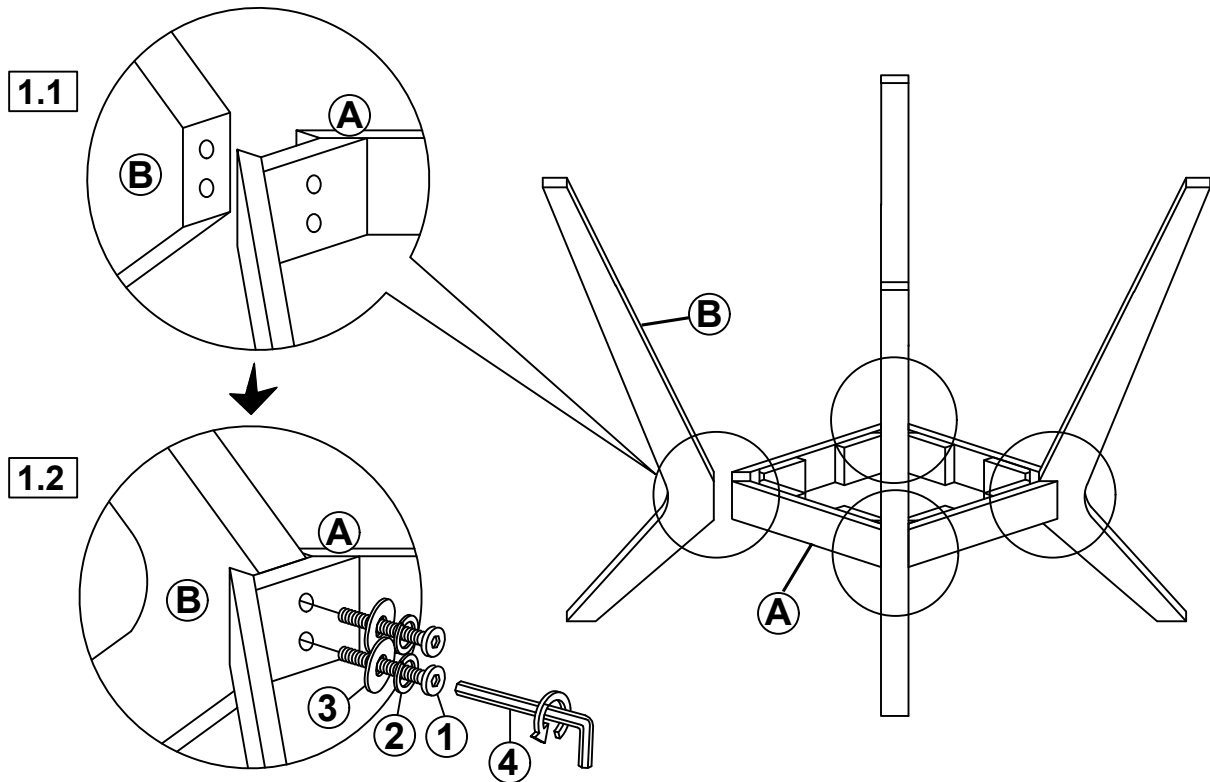


1PC

ITEM: 122178BG

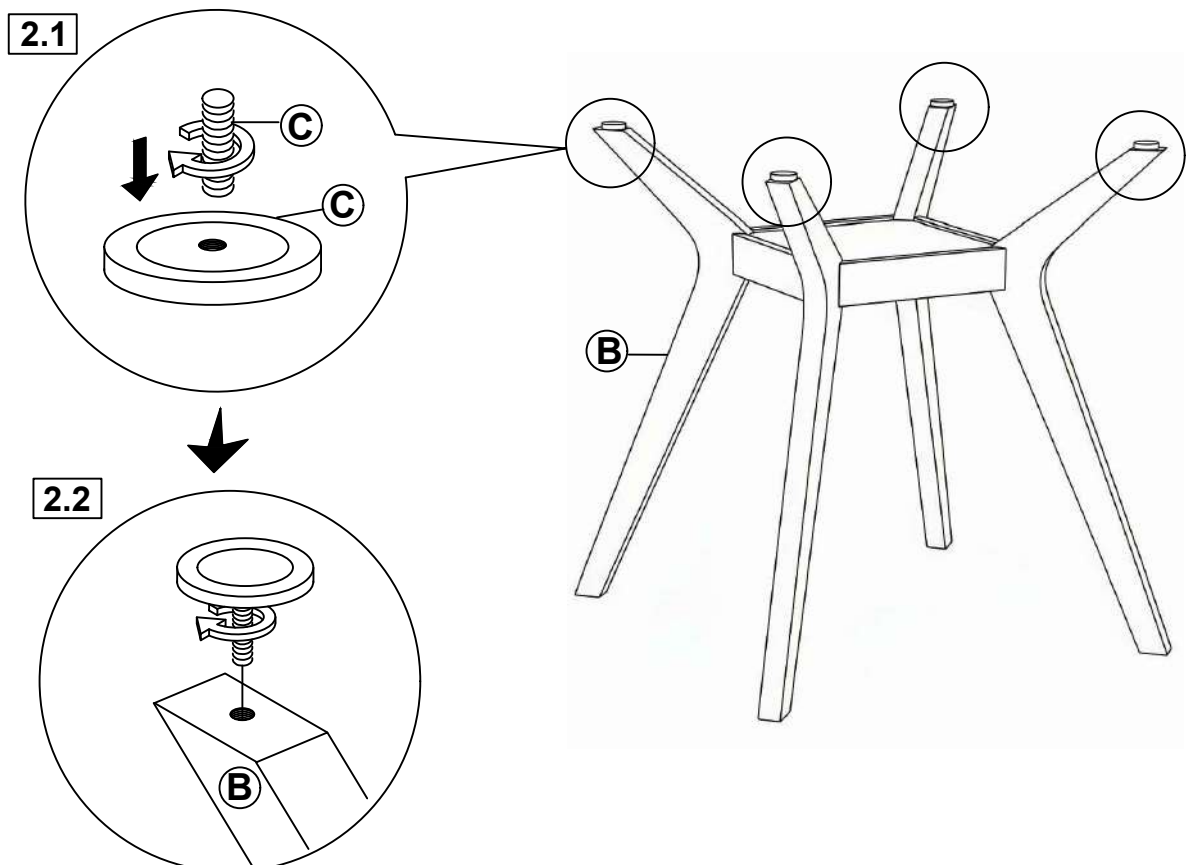
ASSEMBLY INSTRUCTIONS

STEP 1



BOTTOM VIEW

STEP 2



ITEM: **122178BG**

ASSEMBLY INSTRUCTIONS



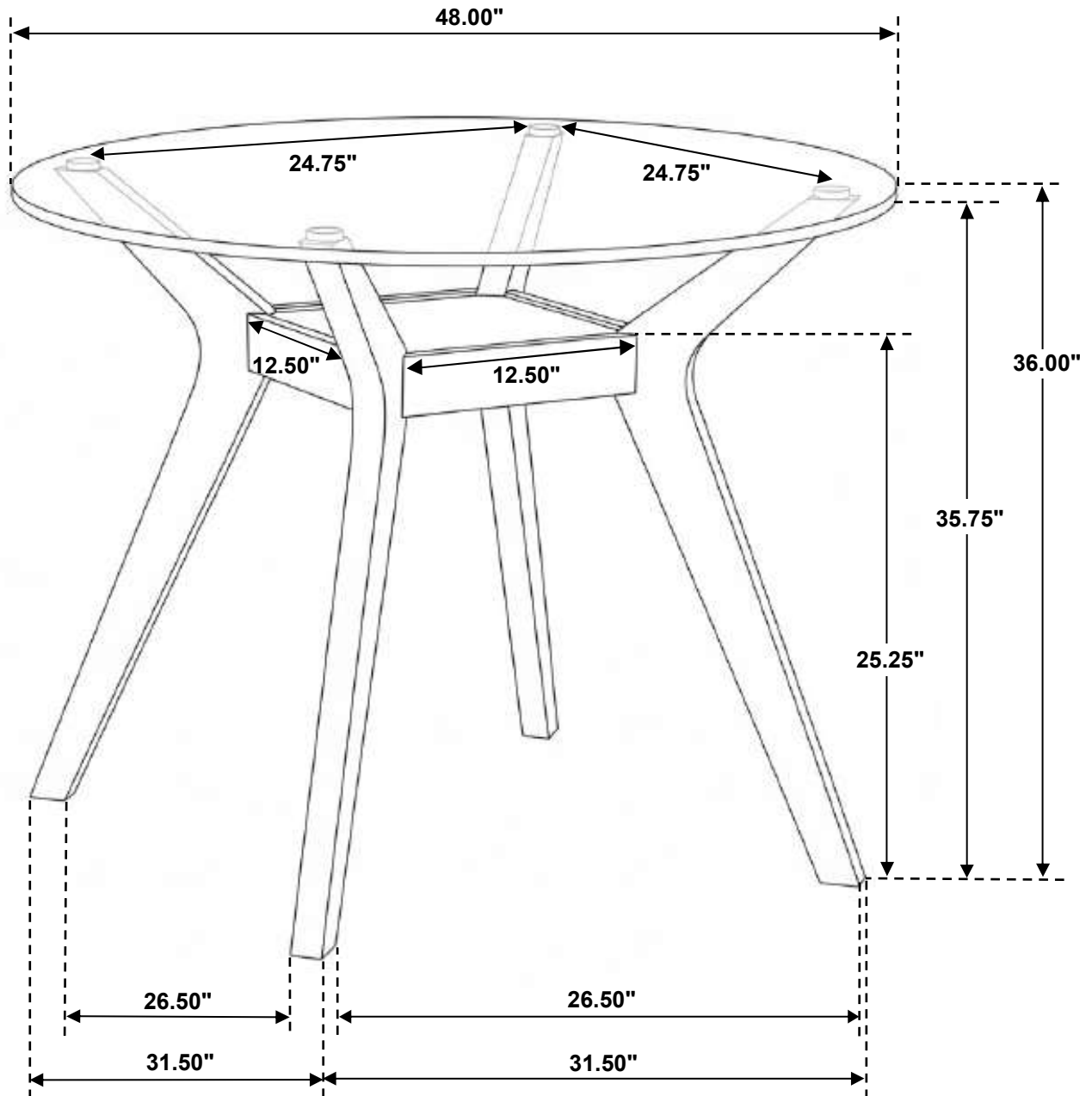
STEP 3



STEP 4
COMPLETE



ITEM: **122178BG**



Note: Dimension tolerance +5%