



ASSEMBLY INSTRUCTIONS
COASTER FINE FURNITURE



Fine Furniture for every stage of life

610247
Motion Sofa

ITEM: 610247



ASSEMBLY INSTRUCTIONS

ASSEMBLY TIPS:

1. Remove hardware from box and sort by size.
2. Please check to see that all hardware and parts are present prior to start of assembly.
3. Please follow attached instructions in the same sequence as numbered to assure fast & easy assembly.



WARNING!

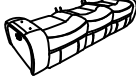





1. Don't attempt to repair or modify parts that are broken or defective. Please contact the store immediately.
2. This product is for home use only and not intended for commercial establishments.



ASSEMBLY TIME

5 MINUTES

PARTS IDENTIFICATION

A	SEAT		1PC
B	LEFT BACK		1PC
C	MIDDLE BACK		1PC
D	RIGHT BACK		1PC
E	LEFT ARM		1PC
F	RIGHT ARM		1PC

HARDWARE IDENTIFICATION

1	THREADED BOLT (Φ5/16" x 90mm - RBW)		4PCS
2	NUT (Φ5/16" x 90L - BLK)		4PCS

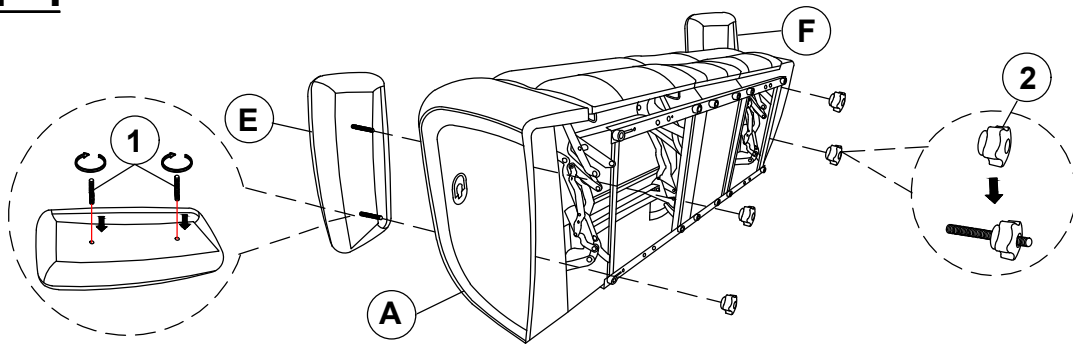
NOTE:

Phillips head screw driver is required in the assembly process; however, manufacturer does not provide this item.

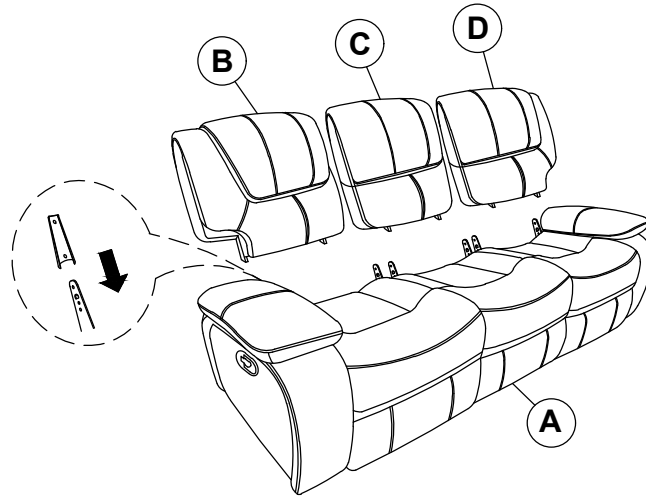
ITEM: **610247**
ASSEMBLY INSTRUCTIONS



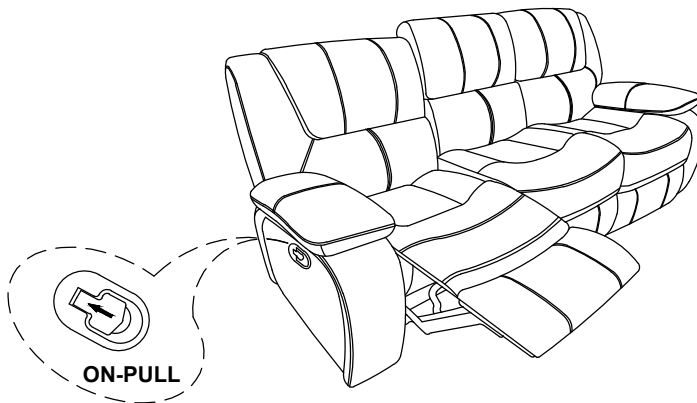
STEP 1



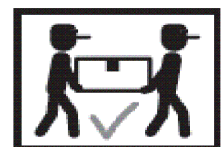
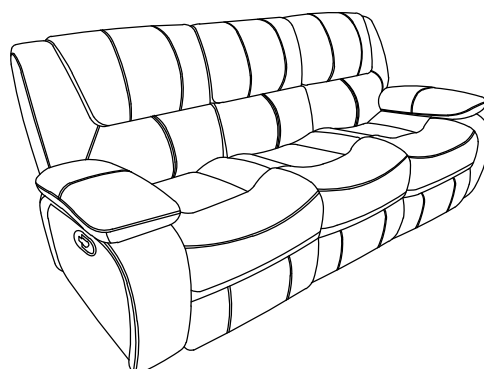
STEP 2



STEP 3

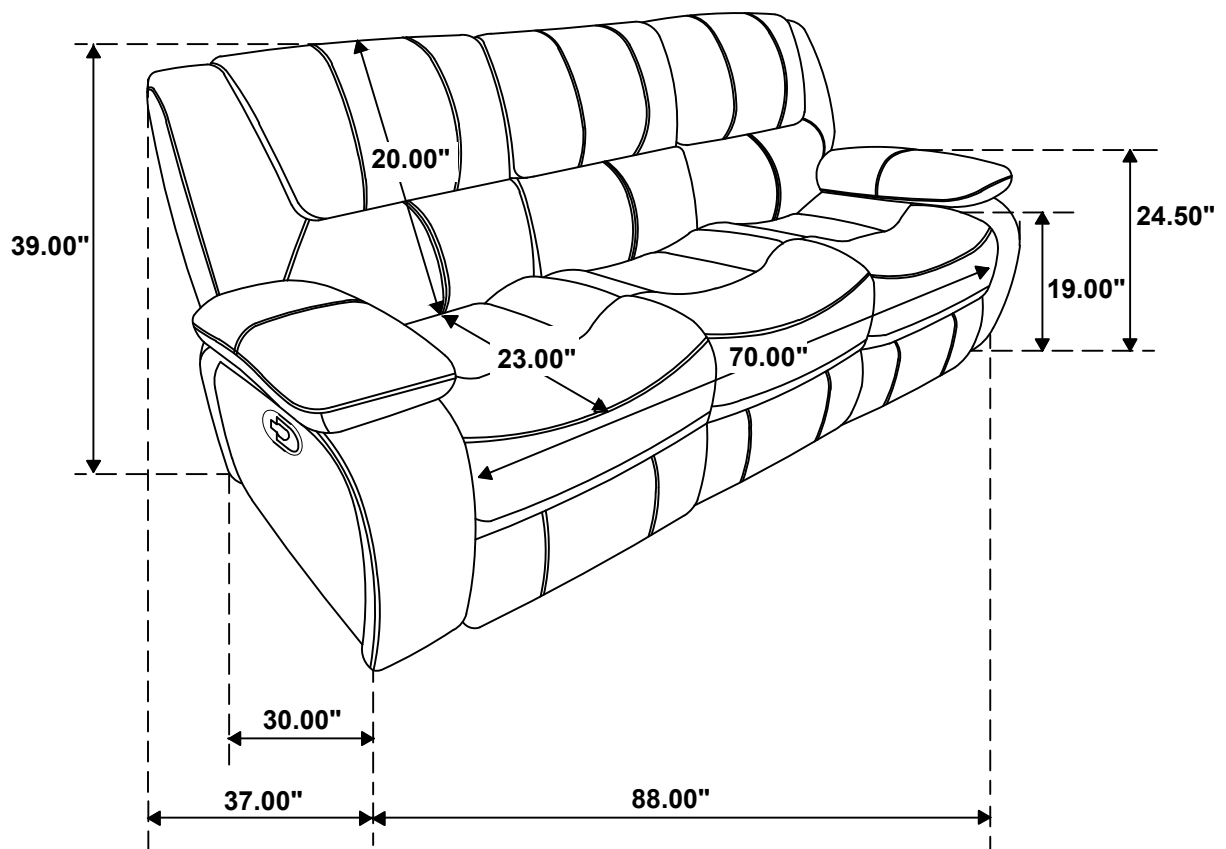


STEP 4
COMPLETE



ITEM: **610247**

COASTER
FINE FURNITURE



Note: Dimension tolerance $\pm 5\%$



*ASSEMBLY INSTRUCTIONS
COASTER FINE FURNITURE*



Fine Furniture for every stage of life

610248
Motion Loveseat

ITEM: 610248



ASSEMBLY INSTRUCTIONS

ASSEMBLY TIPS:

1. Remove hardware from box and sort by size.
2. Please check to see that all hardware and parts are present prior to start of assembly.
3. Please follow attached instructions in the same sequence as numbered to assure fast & easy assembly.



WARNING!

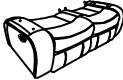




1. Don't attempt to repair or modify parts that are broken or defective. Please contact the store immediately.
2. This product is for home use only and not intended for commercial establishments.




ASSEMBLY TIME

5 MINUTES

PARTS IDENTIFICATION

A	SEAT		1PC
B	LEFT BACK		1PC
C	RIGHT BACK		1PC
D	LEFT ARM		1PC
E	RIGHT ARM		1PC

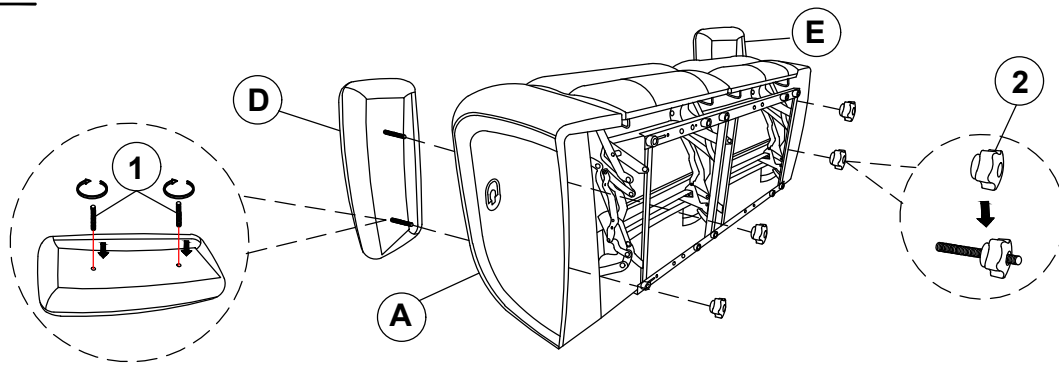
HARDWARE IDENTIFICATION

1	THREADED BOLT (Φ5/16" x 90mm - RBW)		4PCS
2	NUT (Φ5/16" x 90L - BLK)		4PCS

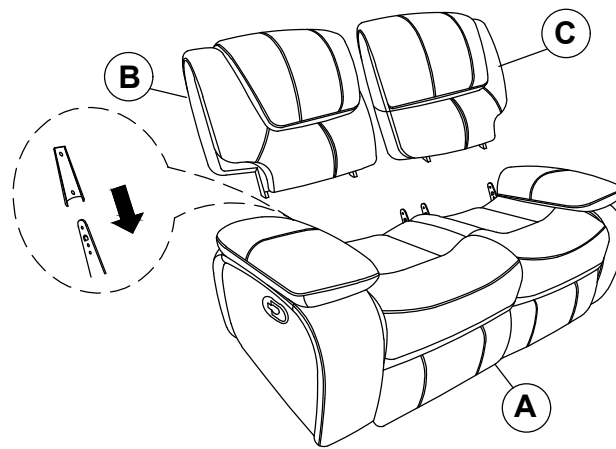
NOTE:

Phillips head screw driver is required in the assembly process; however, manufacturer does not provide this item.

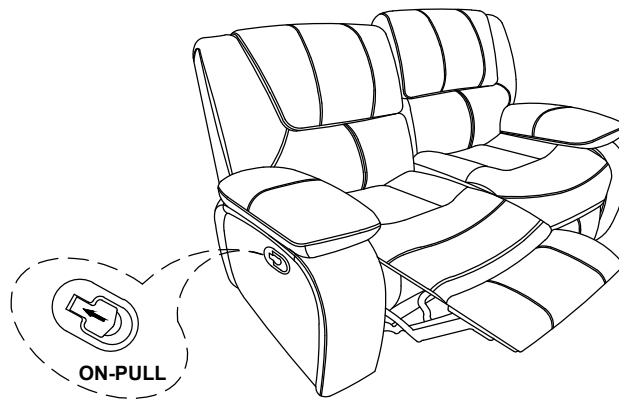
ITEM: **610248**
ASSEMBLY INSTRUCTIONS
STEP 1



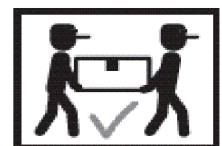
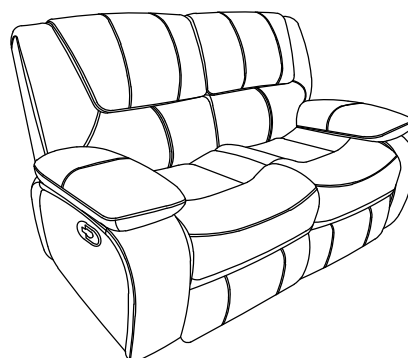
STEP 2



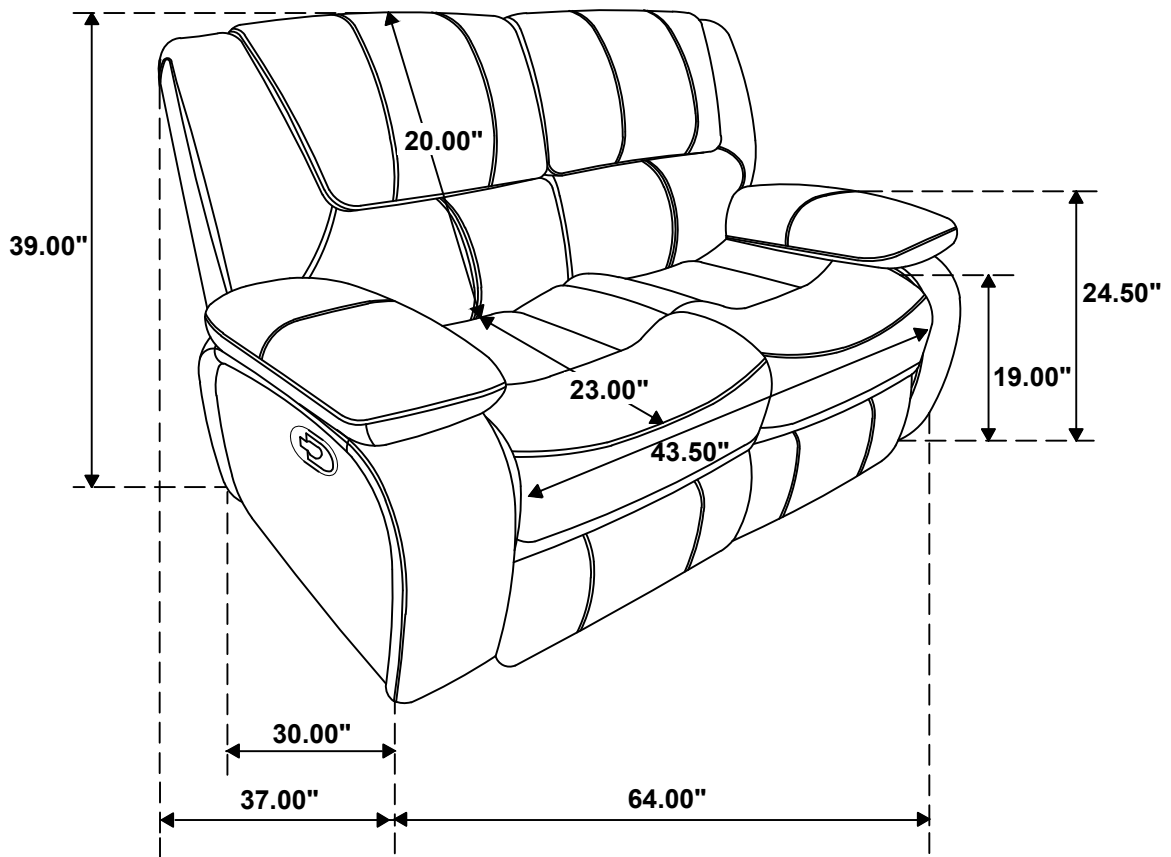
STEP 3



STEP 4
COMPLETE



ITEM: **610248**



Note: Dimension tolerance $\pm 5\%$