

ASSEMBLY INSTRUCTIONS
COASTER FINE FURNITURE



Fine Furniture for every stage of life

801596 (B1&B2)
Writing Desk

ITEM: 801596 (B1&B2)



ASSEMBLY INSTRUCTIONS

ASSEMBLY TIPS:

1. Remove hardware from box and sort by size.
2. Please check to see that all hardware and parts are present prior to start of assembly.
3. Please follow attached instructions in the same sequence as numbered to assure fast & easy assembly.



WARNING!

1. Don't attempt to repair or modify parts that are broken or defective. Please contact the store immediately.
2. This product is for home use only and not intended for commercial establishments.



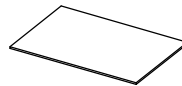
ASSEMBLY TIME

30 MINUTES

PARTS IDENTIFICATION

B1 (BOX 1)

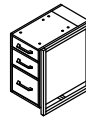
A TOP



1PC

B2 (BOX 2)

B LEFT DRAWER UNIT



1PC

C RIGHT DRAWER UNIT



1PC

D FLAT SUPPORT BAR



2PCS

HARDWARE IDENTIFICATION

Z-B1 (BOX 1) - HARDWARE PACK IS LOCATED IN 801596 (B1)

1 ALLEN WRENCH
(M4 x 110mm- BLK)



1PC

2 BOLT WITH WASHER
(M6 x 35mm - BLK)



8PCS

3 WOOD DOWEL
(M10 x 30mm)



4PCS

4 CLIP



4PCS

NOTE:

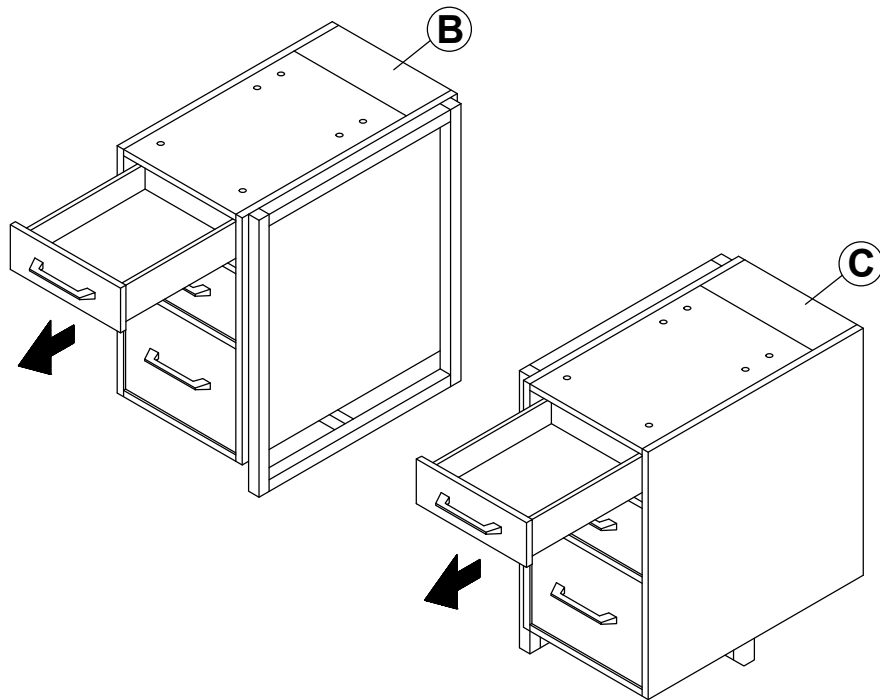
Phillips head screw driver is required in the assembly process; however, manufacturer does not provide this item.

ITEM: **801596 (B1&B2)**

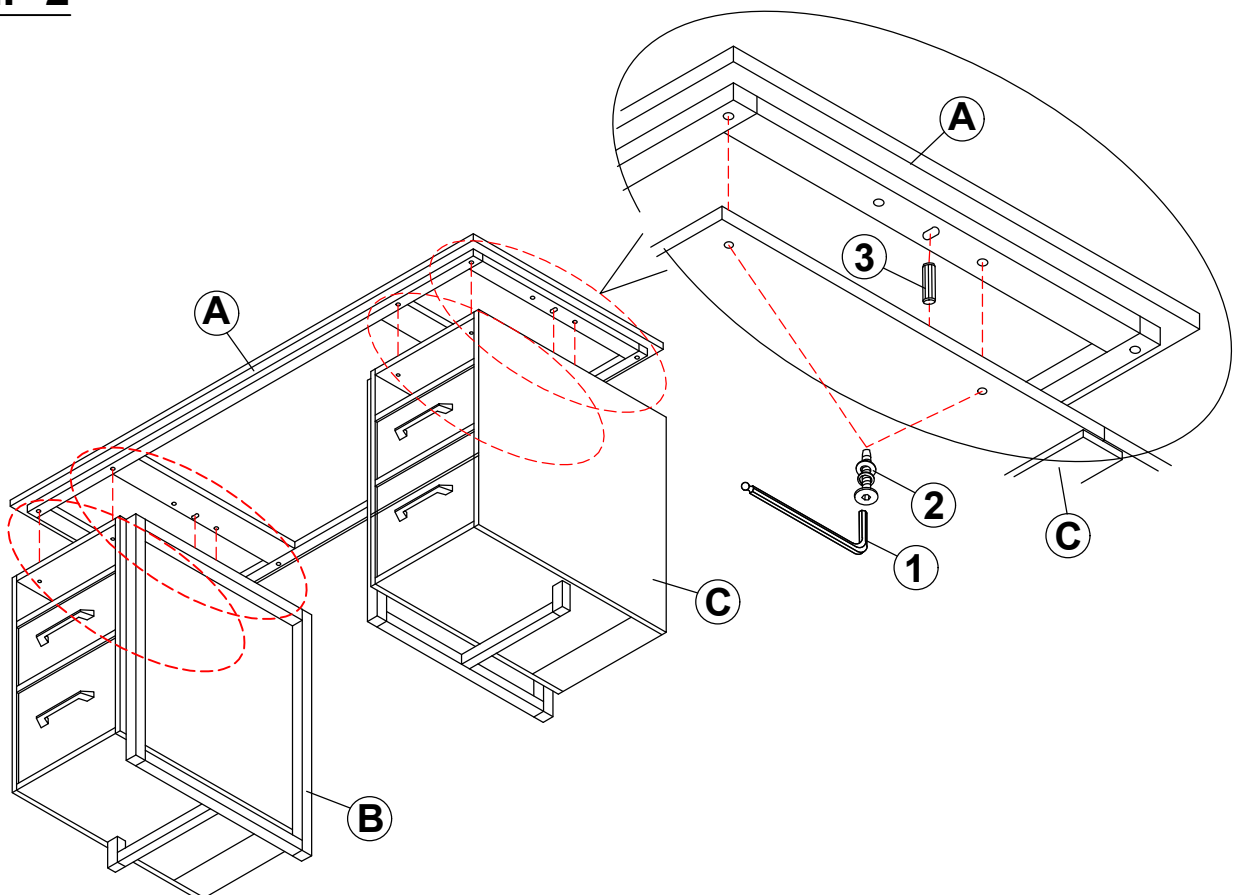


ASSEMBLY INSTRUCTIONS

STEP 1



STEP 2

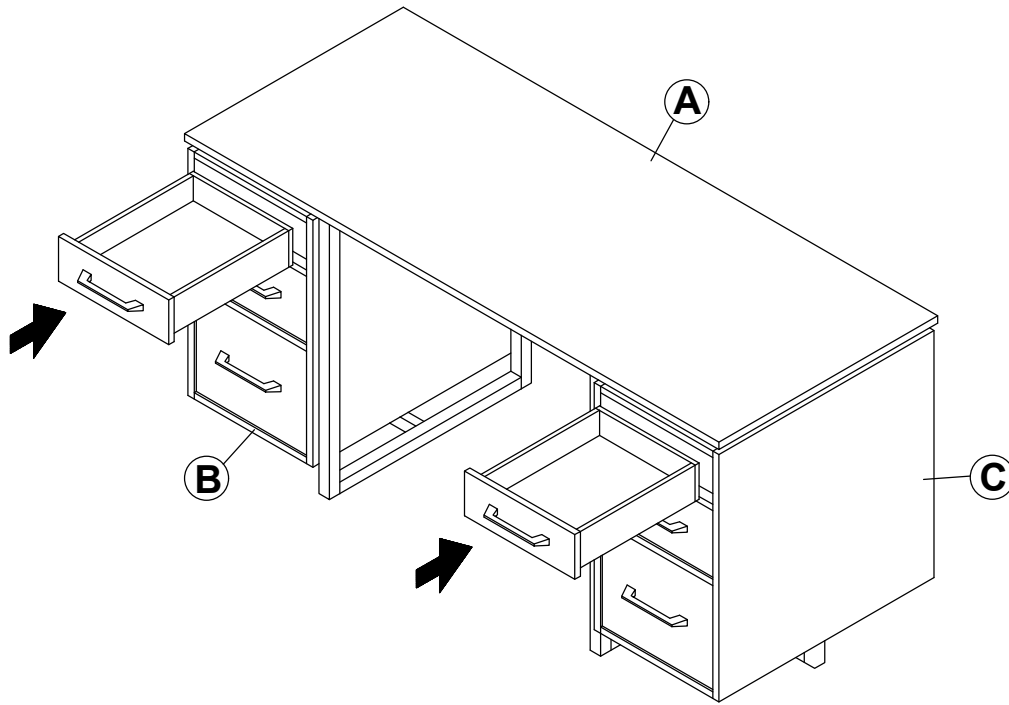


ITEM: **801596 (B1&B2)**

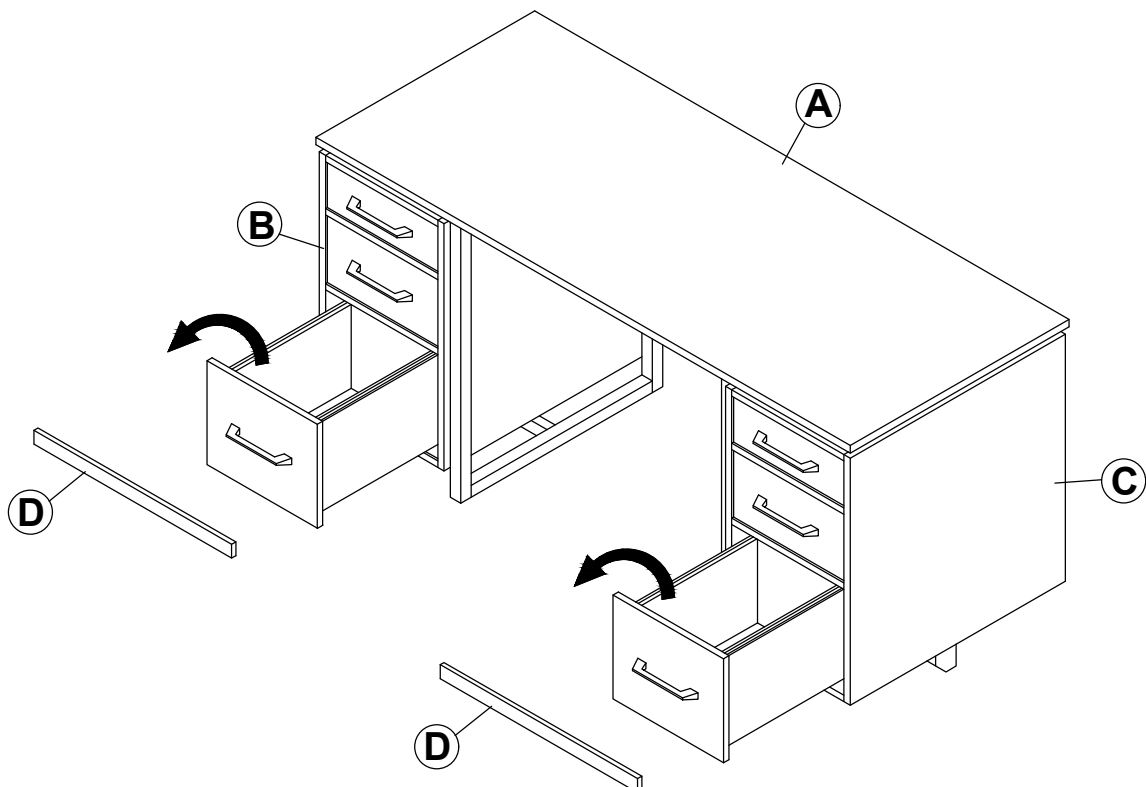


ASSEMBLY INSTRUCTIONS

STEP 3



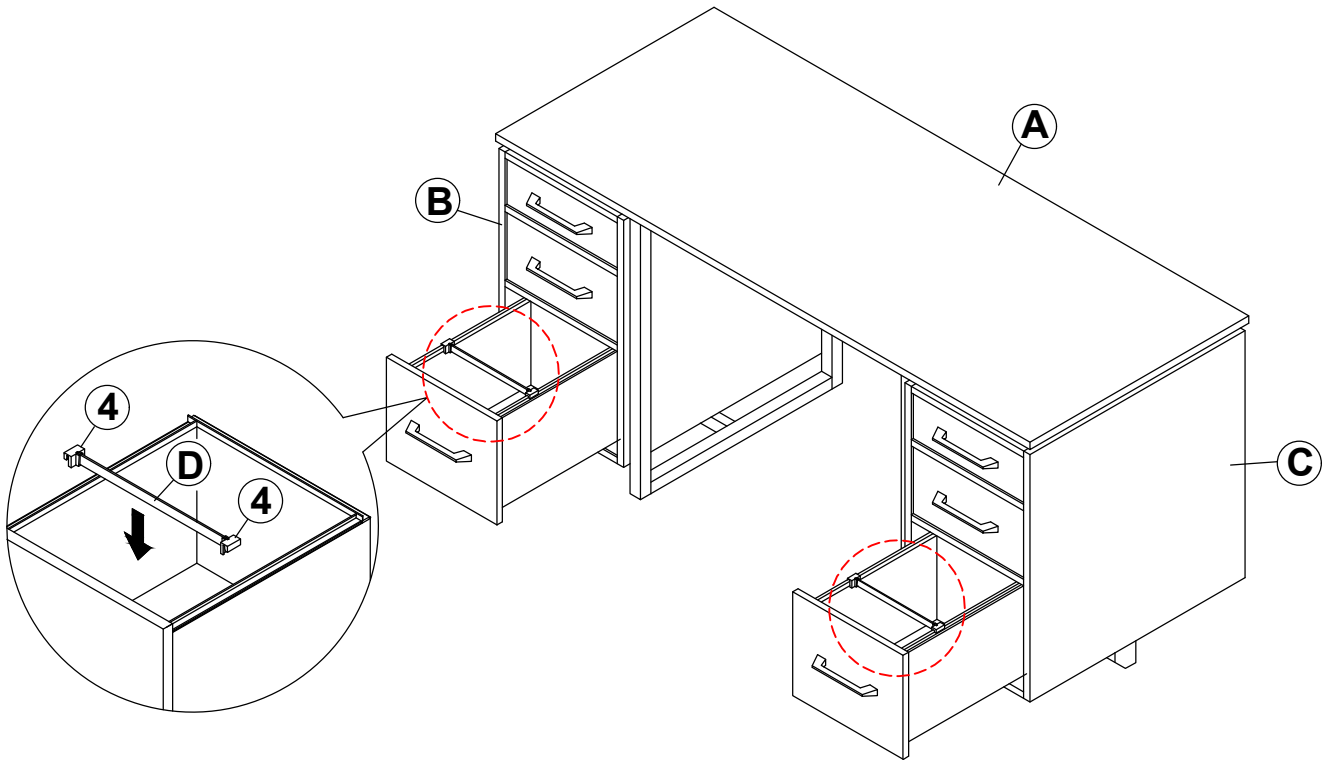
STEP 4



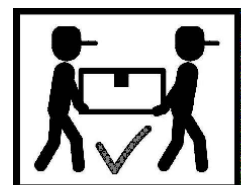
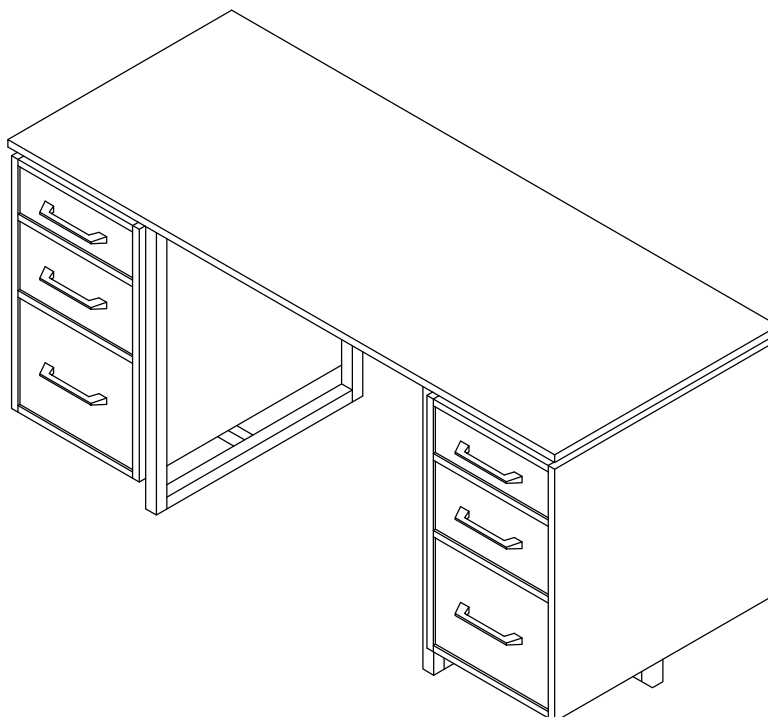
ITEM: **801596 (B1&B2)**



ASSEMBLY INSTRUCTIONS
STEP 5



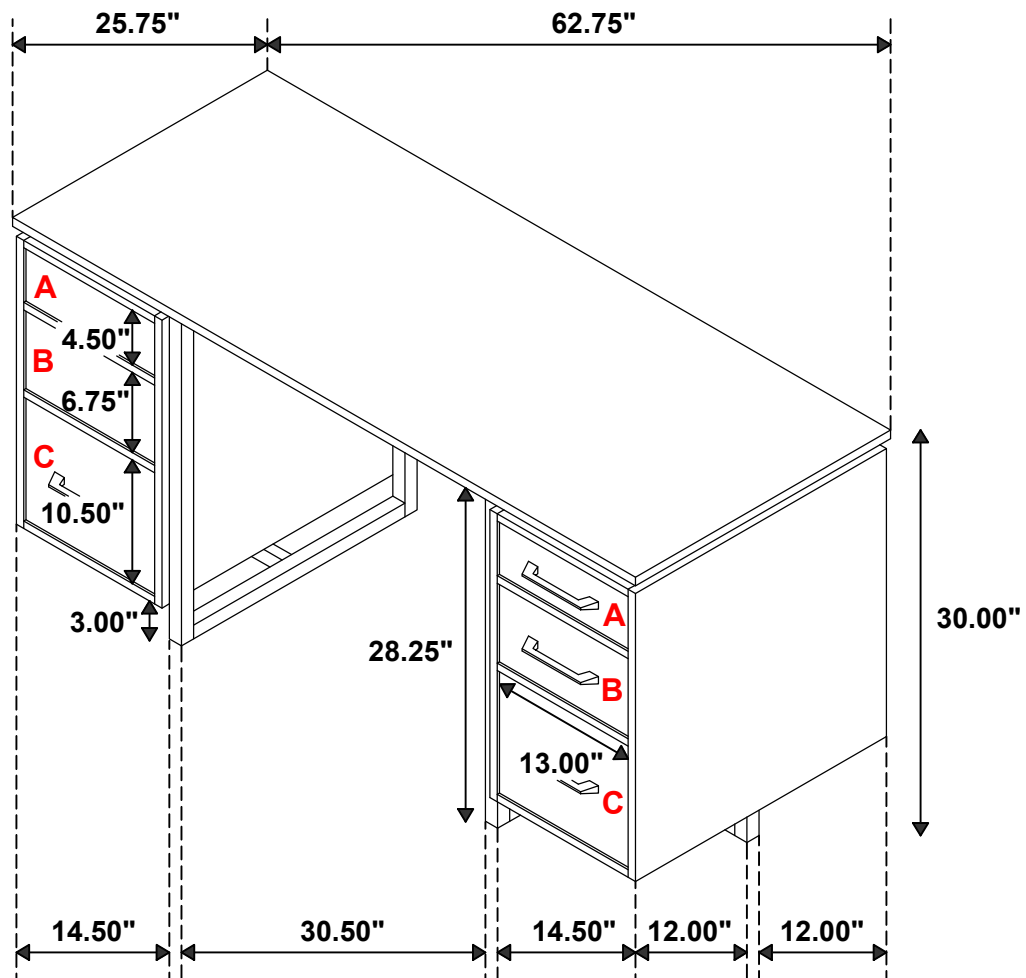
STEP 6
COMPLETE



ITEM: 801596 (B1&B2)



Inner Size of Drawer A : 11.50"W x 14.00"D x 2.75"H x 0.50"T
Inner Size of Drawer B : 11.50"W x 14.00"D x 5.50"H x 0.50"T
Inner Size of Drawer C : 11.50"W x 14.00"D x 8.50"H x 0.50"T



Note : Dimension tolerance $\pm 5\%$