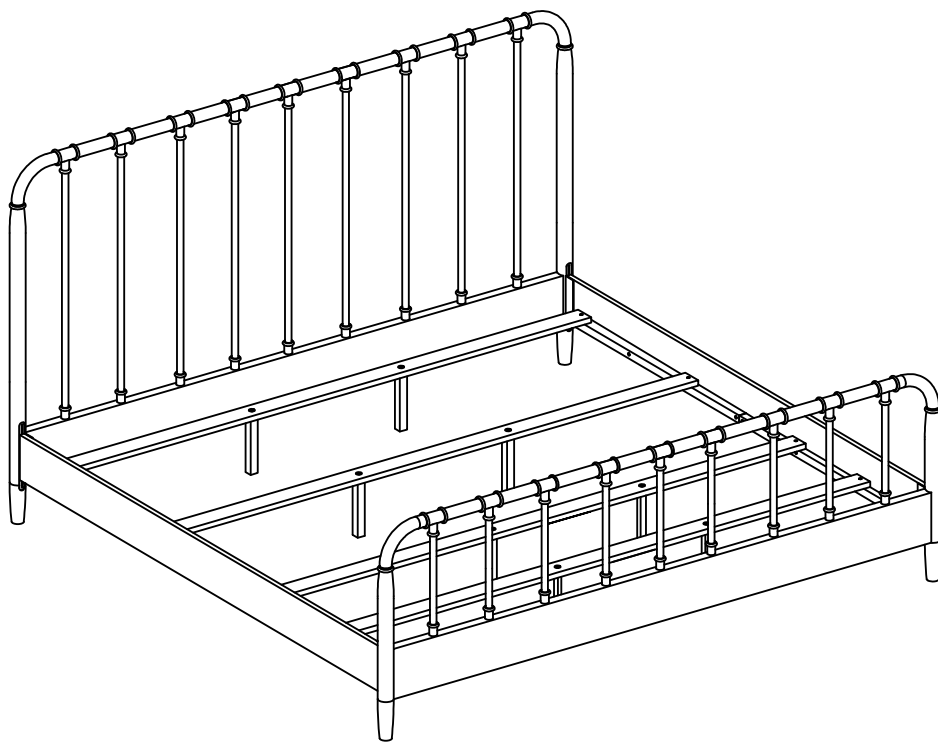


ASSEMBLY INSTRUCTIONS
COASTER FINE FURNITURE



Fine Furniture for every stage of life

310035KE
Eastern King Bed

ITEM: 310035KE

ASSEMBLY INSTRUCTIONS



ASSEMBLY TIPS:

1. Remove hardware from box and sort by size.
2. Please check to see that all hardware and parts are present prior to start of assembly.
3. Please follow attached instructions in the same sequence as numbered to assure fast & easy assembly.



WARNING!

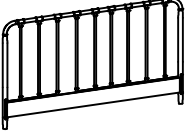
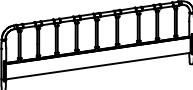



1. Don't attempt to repair or modify parts that are broken or defective. Please contact the store immediately.
2. This product is for home use only and not intended for commercial establishments.



ASSEMBLY TIME

15 MINUTES

PARTS IDENTIFICATION

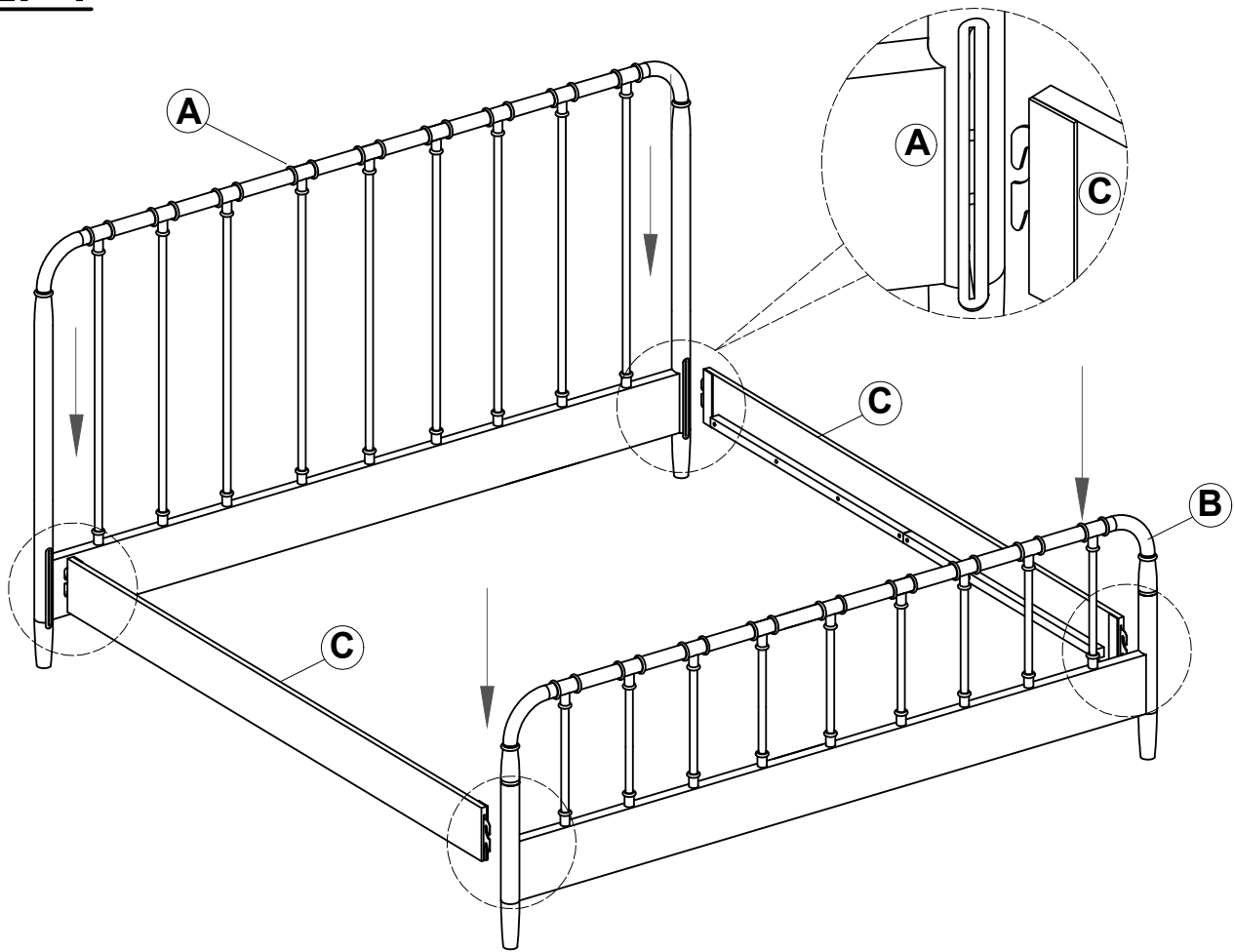
A	HEADBOARD		1PC
B	FOOTBOARD		1PC
C	BED RAIL		2PCS
D	BED SLAT		4PCS
E	BED SLAT SUPPORT WITH LEVELER		8PCS

HARDWARE IDENTIFICATION

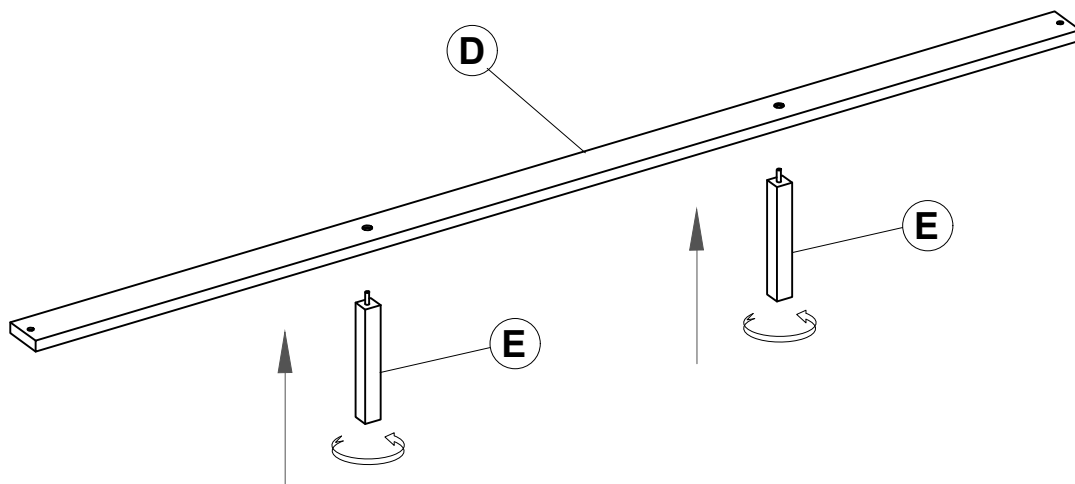
1	FLAT HEAD SCREW (Ø4" x 1 1/4" - RBW)		8PCS
---	---	--	------

ITEM: **310035KE**
ASSEMBLY INSTRUCTIONS

STEP 1



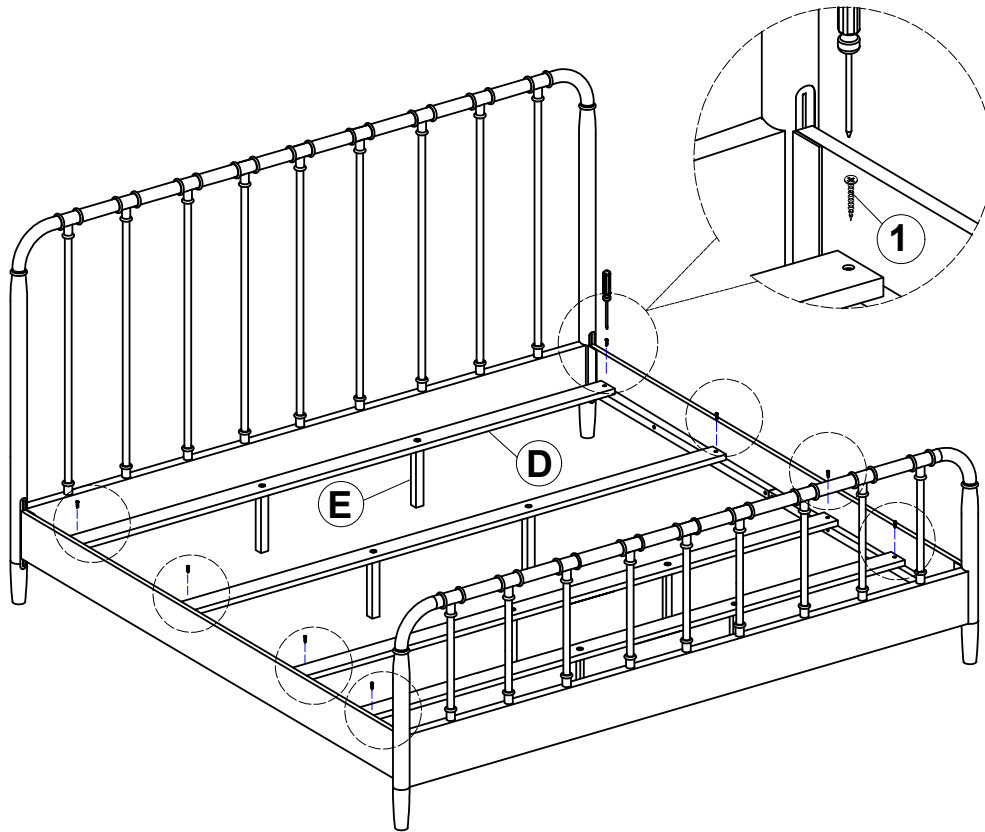
STEP 2



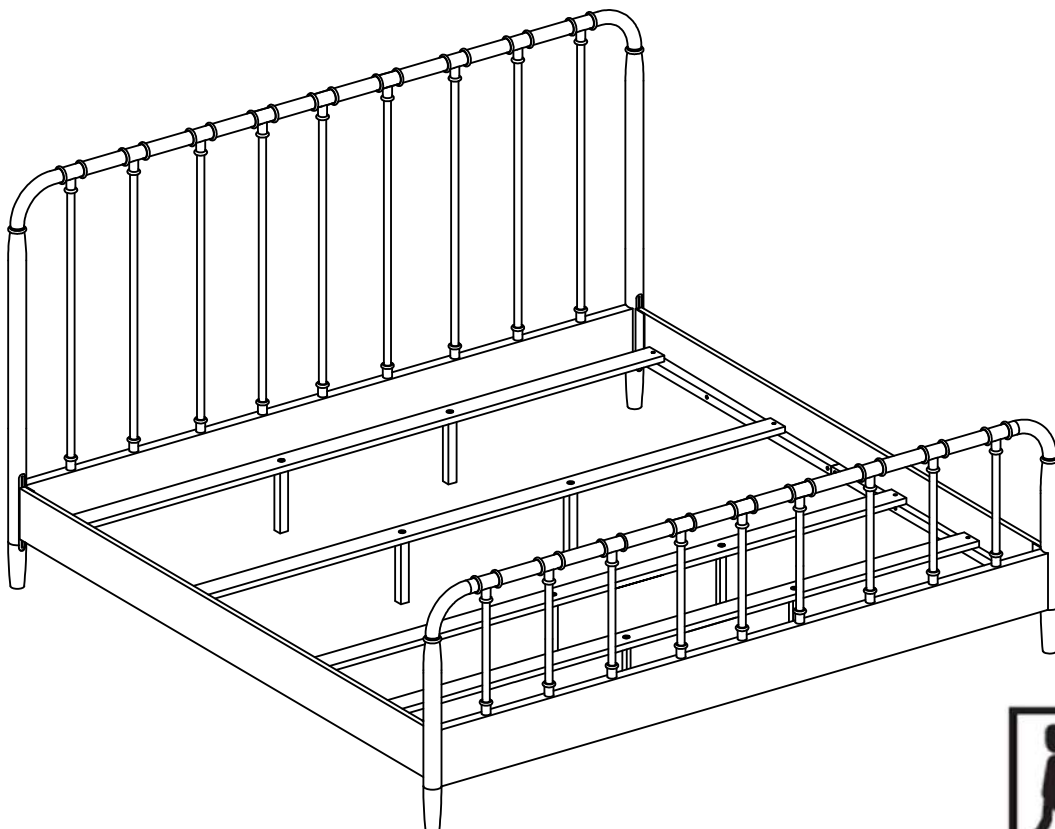
ITEM: **310035KE**
ASSEMBLY INSTRUCTIONS



STEP 3



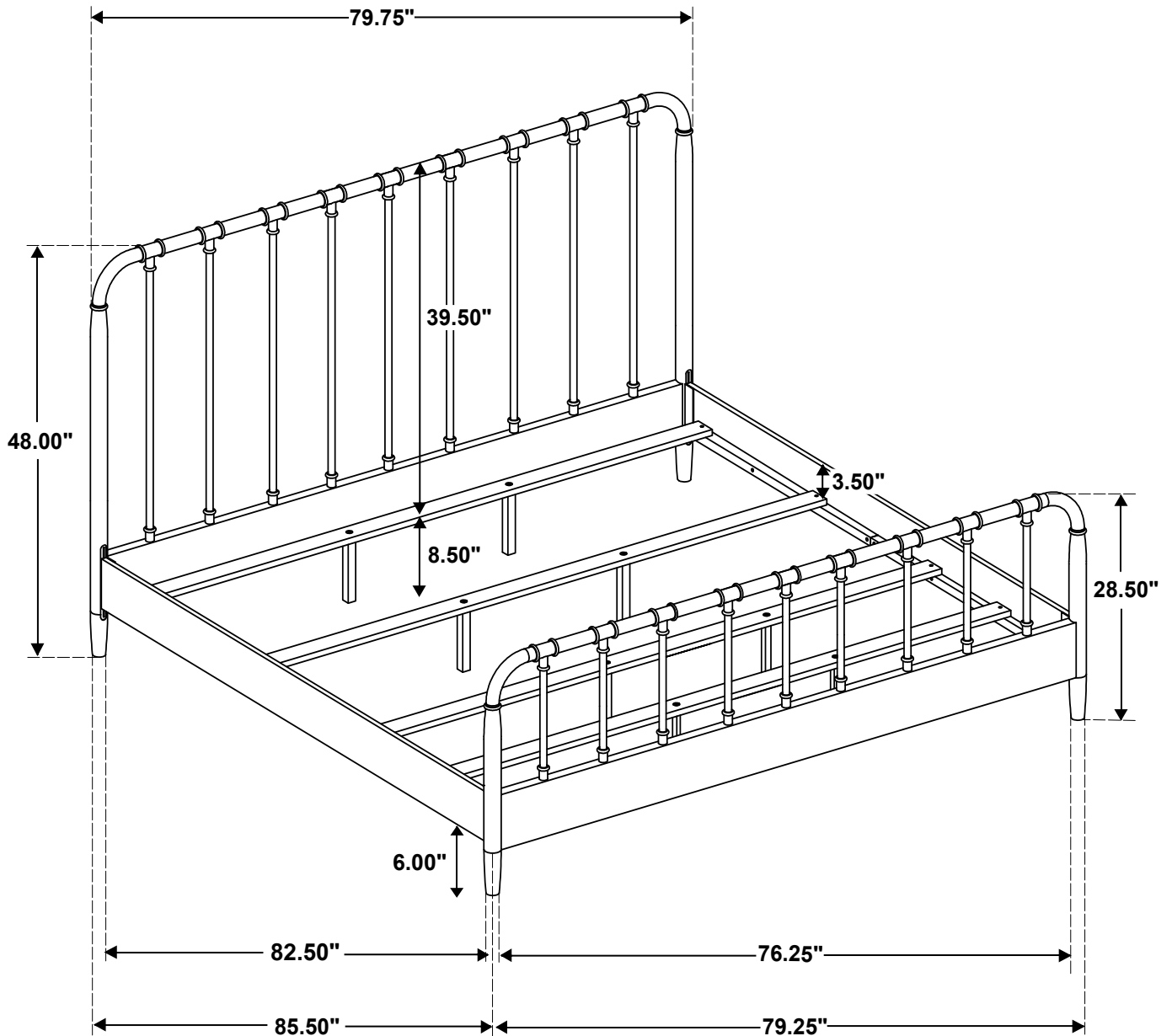
STEP 4
COMPLETE



ITEM: **310035KE**



Inner Size: 76.75"W x 82.50"D



Note: Dimension tolerance $\pm 5\%$