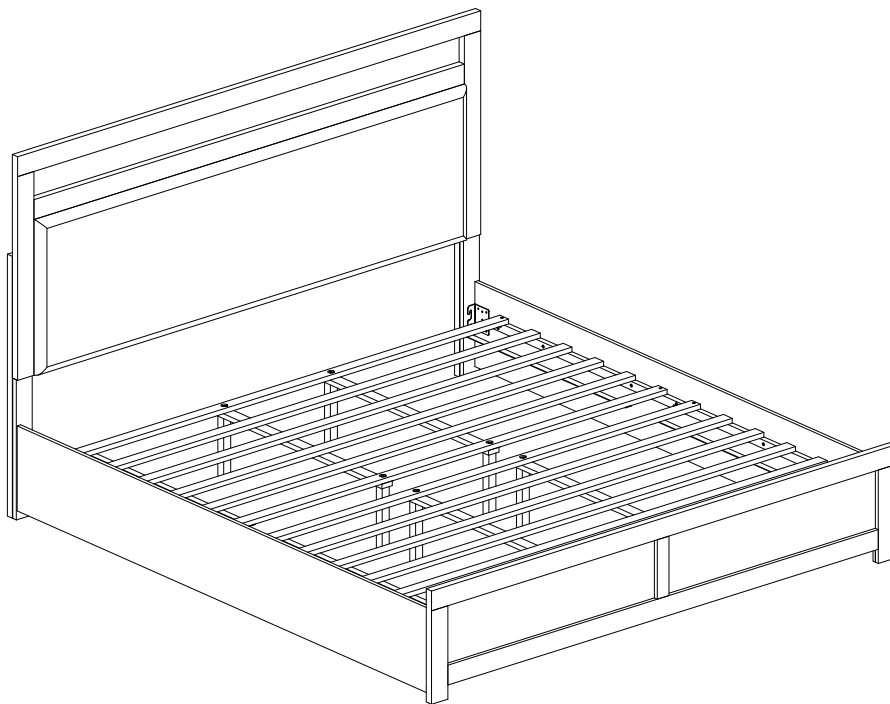


ASSEMBLY INSTRUCTIONS
COASTER FINE FURNITURE



Fine Furniture for every stage of life

222651KW(B1&B2)
California King Bed

ITEM: 222651KW (B1&B2)



ASSEMBLY INSTRUCTIONS

ASSEMBLY TIPS:

1. Remove hardware from box and sort by size.
2. Please check to see that all hardware and parts are present prior to start of assembly.
3. Please follow attached instructions in the same sequence as numbered to assure fast & easy assembly.



WARNING!

1. Don't attempt to repair or modify parts that are broken or defective. Please contact the store immediately.
2. This product is for home use only and not intended for commercial establishments.



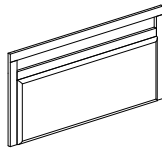
ASSEMBLY TIME

30 MINUTES

PARTS IDENTIFICATION

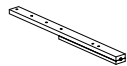
B1 (BOX 1)

A HEADBOARD
PANEL



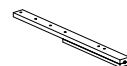
1PC

B LEFT HEADBOARD
LEG (WITH "L" LABEL)



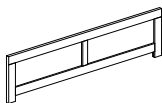
1PC

C RIGHT HEADBOARD
LEG (WITH "R" LABEL)



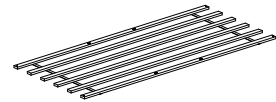
1PC

D FOOTBOARD



1PC

E ROLL SLAT
(6PCS)



2SETS

F CENTER RAIL



4PCS

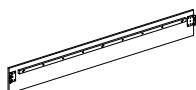
G CENTER RAIL SUPPORT
WITH LEVELER



8PCS

B2 (BOX 2)

H BED RAIL



2PCS

ITEM: 222651KW (B1&B2)



ASSEMBLY INSTRUCTIONS

ASSEMBLY TIPS:

1. Remove hardware from box and sort by size.
2. Please check to see that all hardware and parts are present prior to start of assembly.
3. Please follow attached instructions in the same sequence as numbered to assure fast & easy assembly.

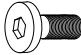
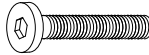



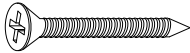


WARNING!

1. Don't attempt to repair or modify parts that are broken or defective. Please contact the store immediately.
2. This product is for home use only and not intended for commercial establishments.

HARDWARE IDENTIFICATION

Z-B1 (BOX 1) - HARDWARE IS LOCATED IN 222651KW (B1)

1	SHORT BOLT (M8 x 16MM - RBW)		8PCS
2	LONG BOLT (M8 x 40MM - RBW)		8PCS
3	LOCK WASHER (5/16" x 14Ø - RBW)		8PCS
4	FLAT WASHER (5/16" x 22Ø - RBW)		8PCS
5	ALLEN WRENCH (M5 x 68MM - BLK)		1PC
6	FLAT HEAD SCREW (M4 x 32MM - RBW)		8PCS

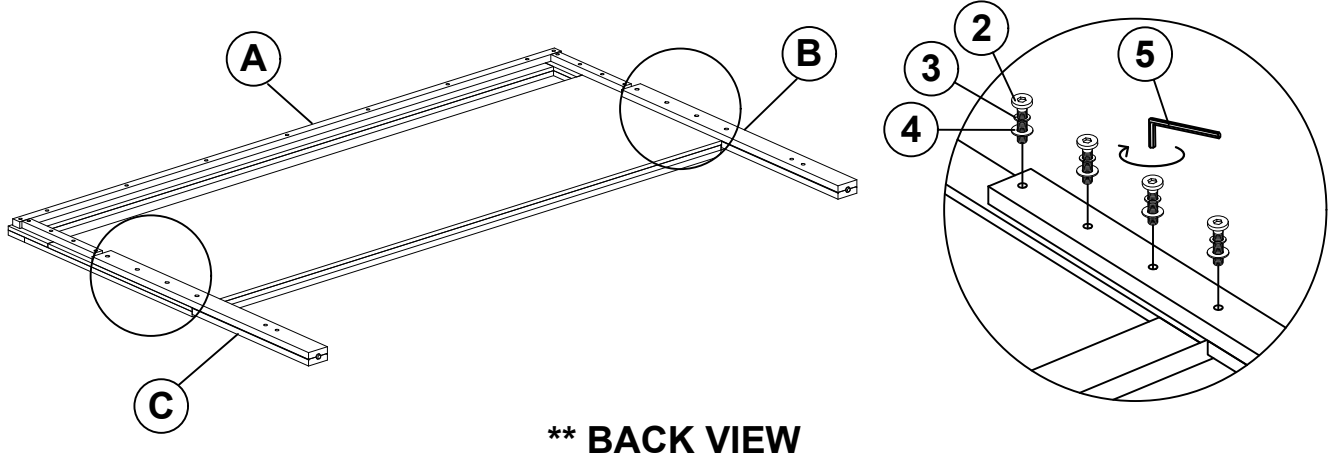
NOTE:

Phillips head screw driver is required in the assembly process; however, manufacturer does not provided this item.

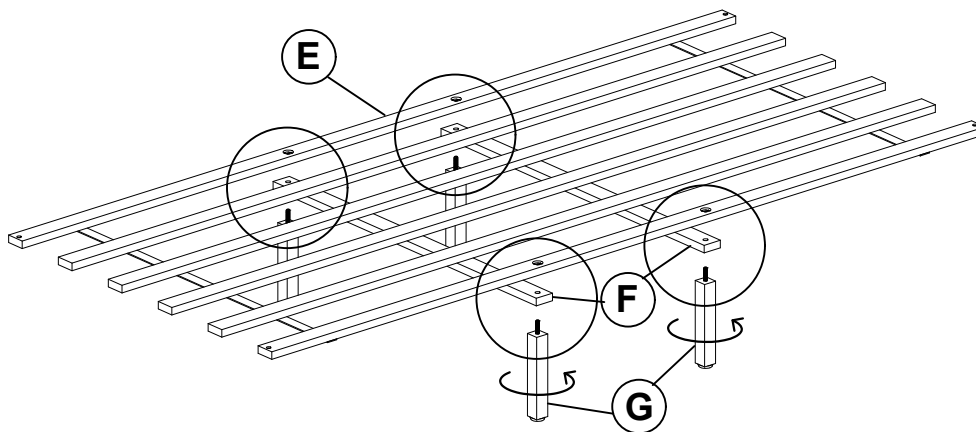
ITEM: 222651KW (B1&B2)

ASSEMBLY INSTRUCTIONS

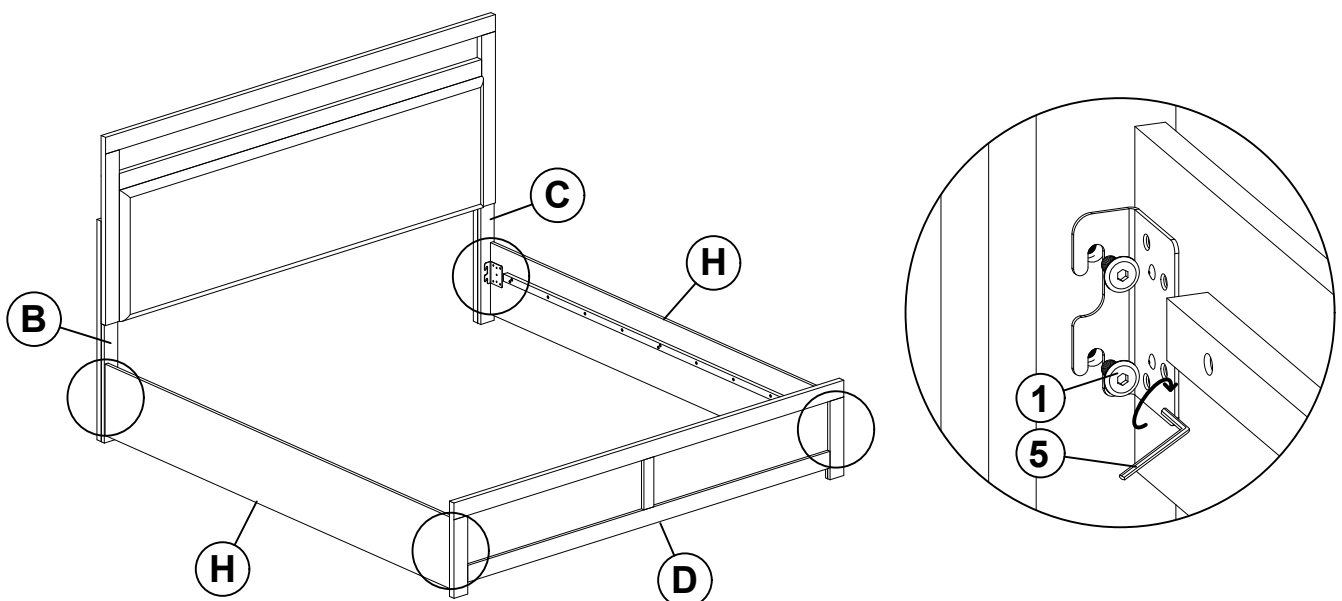
STEP 1



STEP 2



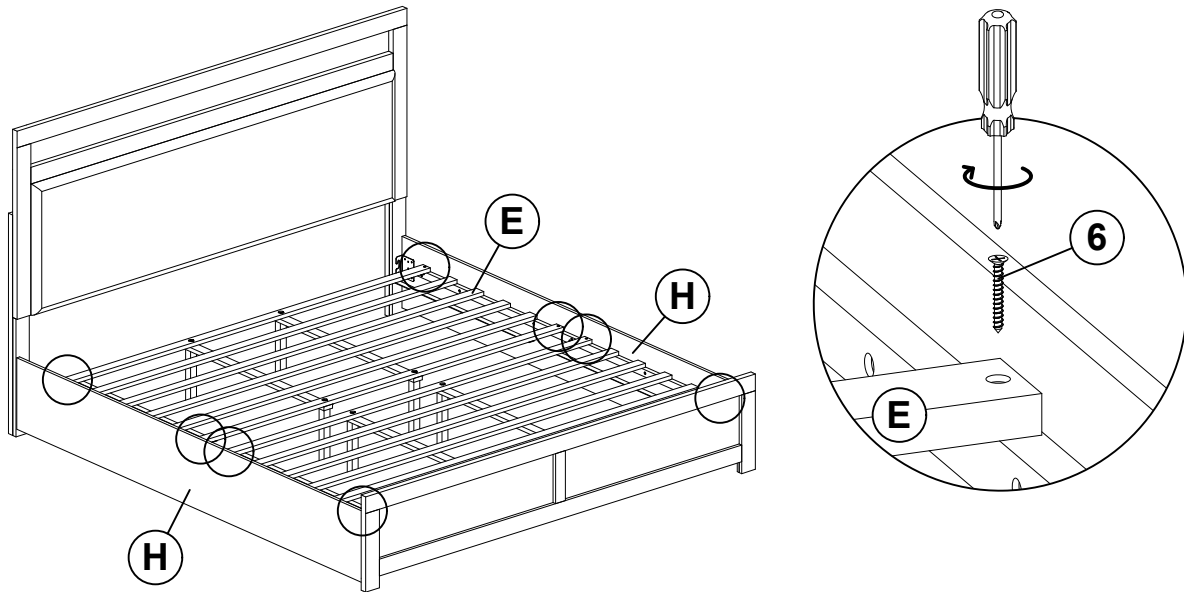
STEP 3



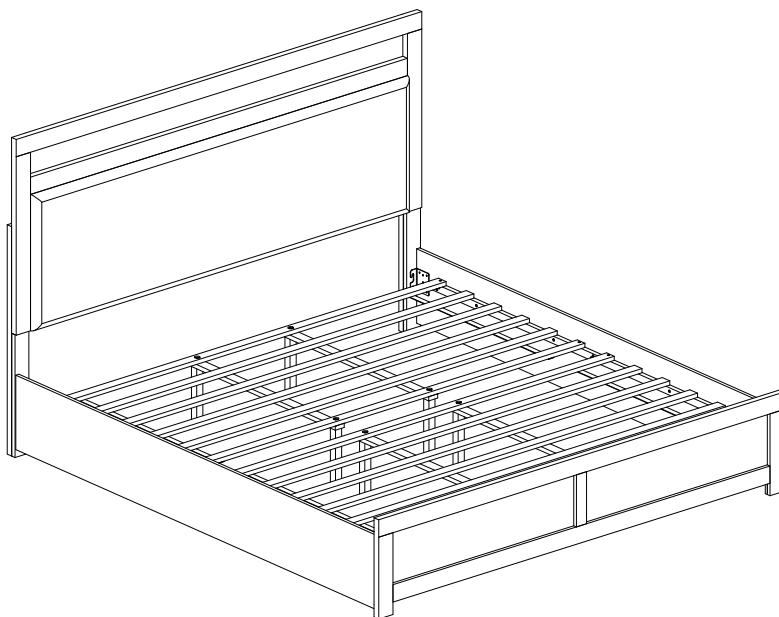
ITEM: 222651KW (B1&B2)

ASSEMBLY INSTRUCTIONS

STEP 4



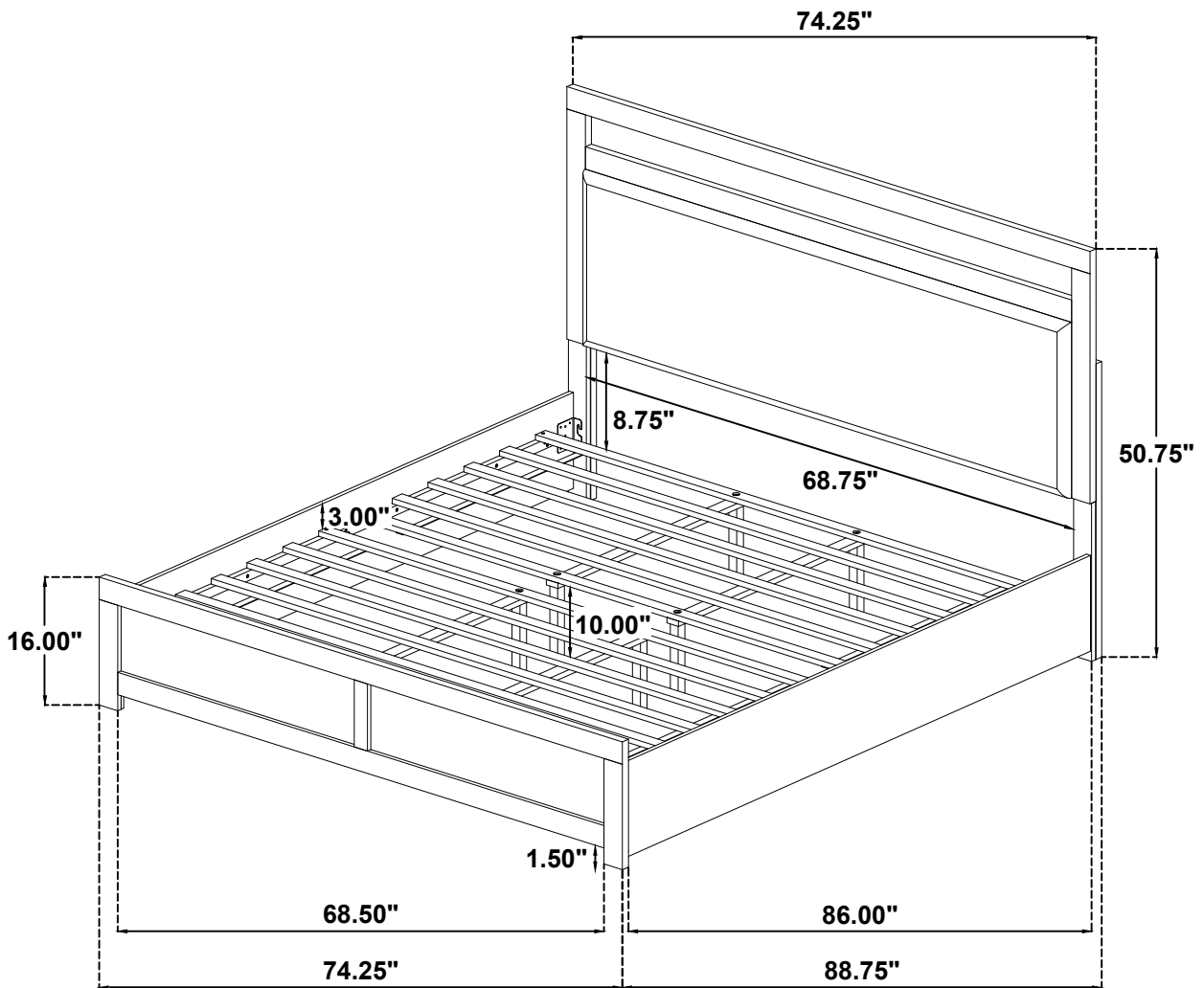
STEP 5 COMPLETE



ITEM: **222651KW (B1&B2)**



Inner Size : 72.50"W X 86.00"D



Note : Dimension tolerance $\pm 5\%$