

ASSEMBLY INSTRUCTIONS
COASTER FINE FURNITURE



Fine Furniture for every stage of life

222801Q(B1-B3)
Queen Bed

ITEM: 222801Q(B1-B3)



ASSEMBLY INSTRUCTIONS

ASSEMBLY TIPS:

1. Remove hardware from box and sort by size.
2. Please check to see that all hardware and parts are present prior to start of assembly.
3. Please follow attached instructions in the same sequence as numbered to assure fast & easy assembly.



WARNING!

1. Don't attempt to repair or modify parts that are broken or defective. Please contact the store immediately.
2. This product is for home use only and not intended for commercial establishments.




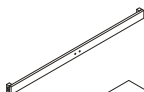



ASSEMBLY TIME

30 MINUTES

PART IDENTIFICATION


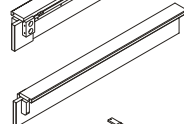
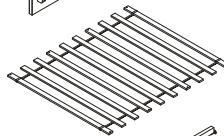
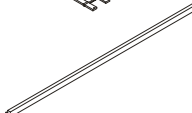

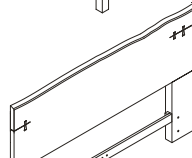

B1 (BOX 1)

| | | | |
|---|-----------------------|--|------|
| A | HEADBOARD PANEL |  | 1PC |
| B | LEFT HEADBOARD LEG |  | 1PC |
| C | RIGHT HEADBOARD LEG |  | 1PC |
| D | HEADBOARD BOTTOM RAIL |  | 1PC |
| E | CONCEAL PANEL |  | 4PCS |

B2 (BOX 2)

| | | | |
|---|-----------|--|-----|
| F | FOOTBOARD |  | 1PC |
|---|-----------|--|-----|

B3 (BOX 3)

| | | | |
|----|--|--|------|
| G | LEFT BED RAIL |  | 1PC |
| H | RIGHT BED RAIL |  | 1PC |
| I | ROLL SLAT (10 PCS) |  | 1SET |
| J | CENTER RAIL |  | 1PC |
| K | CENTER RAIL SUPPORT WITH LEVELER |  | 3PCS |
| HB | 222801Q(B1) FROM BOX 1 HEADBOARD COMPLETE |  | 1PC |
| F | 222801Q(B2) FROM BOX 2 FOOTBOARD |  | 1PC |

ITEM: 222801Q(B1-B3)

ASSEMBLY INSTRUCTIONS

ASSEMBLY TIPS:

1. Remove hardware from box and sort by size.
2. Please check to see that all hardware and parts are present prior to start of assembly.
3. Please follow attached instructions in the same sequence as numbered to assure fast & easy assembly.

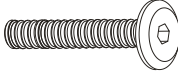
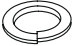





WARNING!


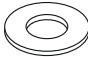
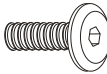





1. Don't attempt to repair or modify parts that are broken or defective. Please contact the store immediately.
2. This product is for home use only and not intended for commercial establishments.

HARDWARE IDENTIFICATION

Z-B1 (BOX 1) - HARDWARE PACK IS LOCATED IN 222801Q(B1)

| | | | |
|---|--|---|------|
| 1 | LONG BOLT (5/16" x 50mm - BLK) |  | 8PCS |
| 2 | LOCK WASHER (1.6 x 14mm - BLK) |  | 8PCS |
| 3 | FLAT WASHER (2 x 19mm - BLK) |  | 8PCS |
| 4 | ALLEN WRENCH (M5 x 75mm - BLK) |  | 1PC |
| 5 | WOOD DOWEL (10 x 40mm - BRW) |  | 8PCS |

Z-B3 (BOX 3) - HARDWARE PACK IS LOCATED IN 222801Q(B3)

| | | | |
|----|---|---|------|
| 2 | LOCK WASHER (1.6 x 14mm - BLK) |  | 4PCS |
| 3 | FLAT WASHER (2 x 19mm - BLK) |  | 4PCS |
| 6 | SHORT BOLT (5/16" x 19mm - BLK) |  | 4PCS |
| 7 | FLAT HEAD SCREW (8 x 32mm - BLK) |  | 8PCS |
| 8 | THREADED BOLT (5/16" x 80mm - WHT) |  | 8PCS |
| 9 | HEX NUT (5/16" x 13mm - WHT) |  | 8PCS |
| 10 | HALF ROUND NUT (22 x 17 x 10mm - WHT) |  | 8PCS |
| 11 | WRENCH (13mm - WHT) |  | 1PC |

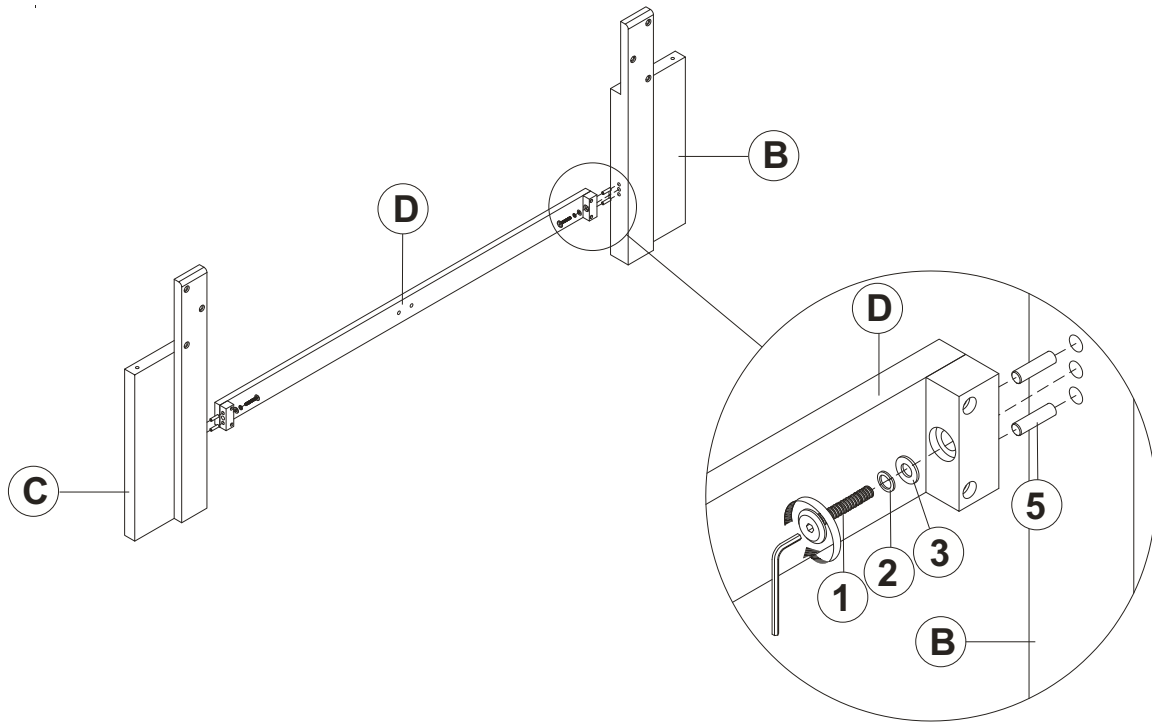
NOTE :

Phillips head screw driver is required in the assembly process; however, manufacturer does not provide this item.

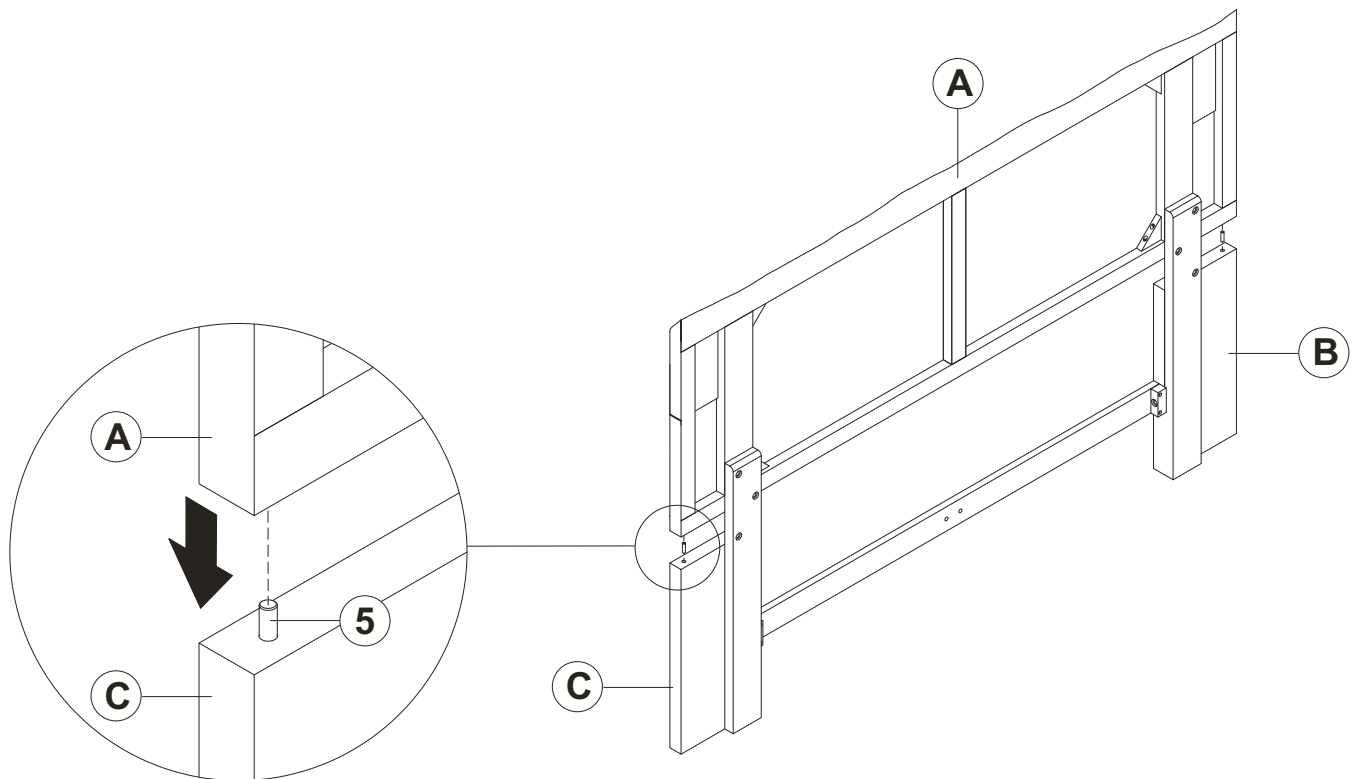
ITEM: 222801Q(B1-B3)

ASSEMBLY INSTRUCTIONS

STEP 1



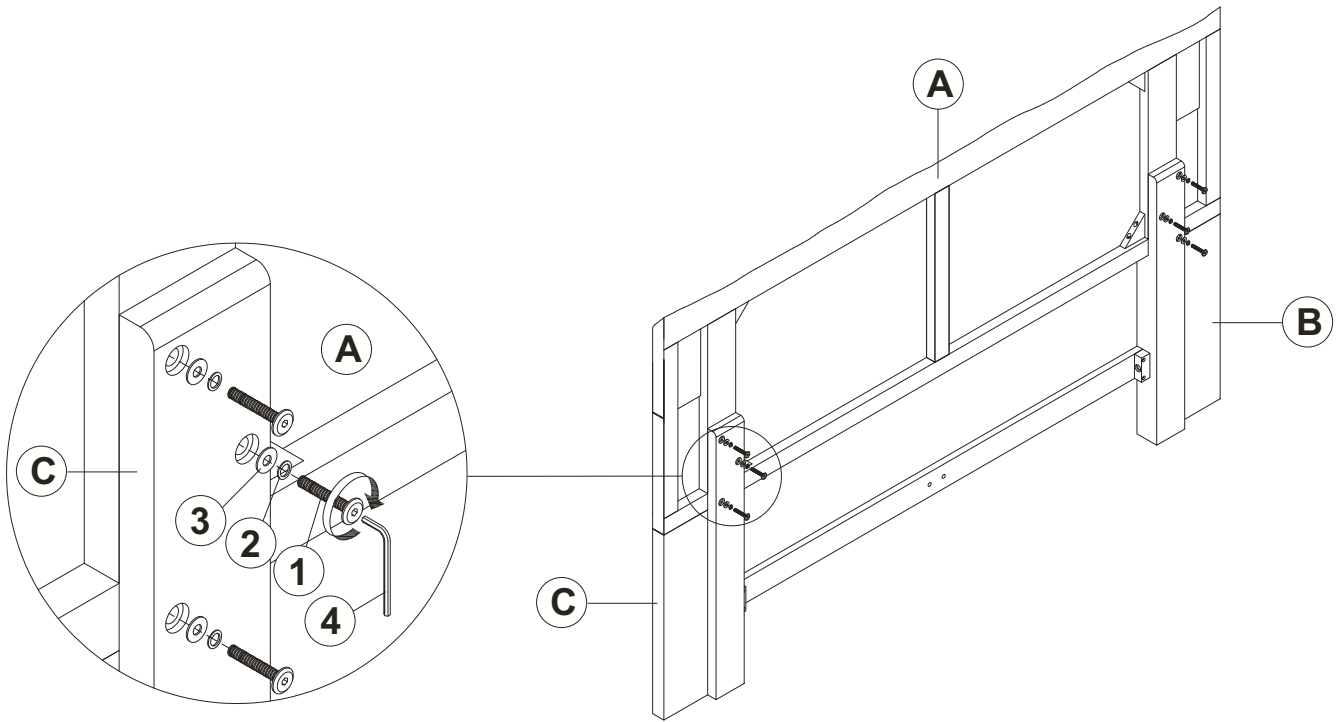
STEP 2



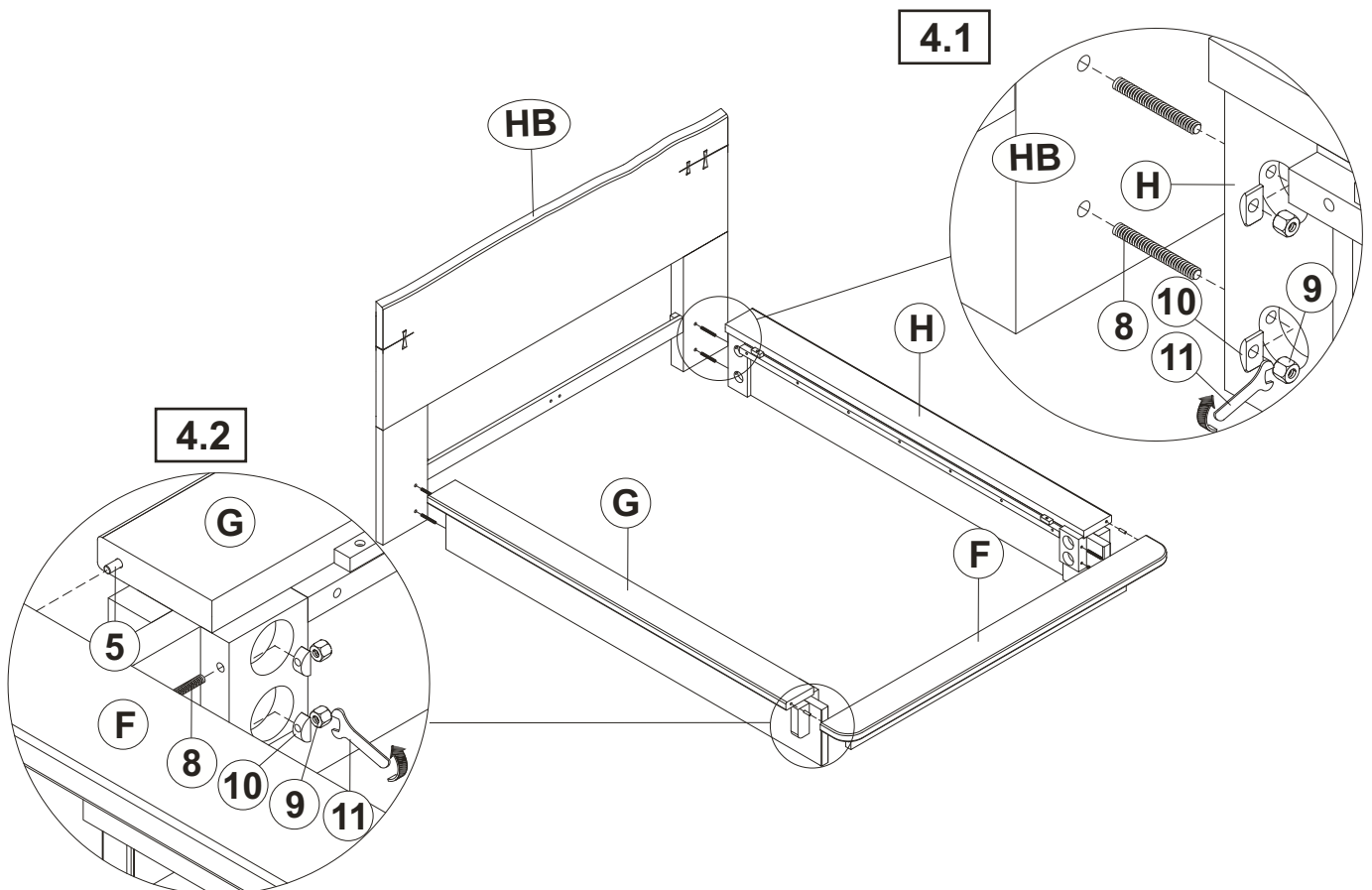
ITEM: 222801Q(B1-B3)

ASSEMBLY INSTRUCTIONS

STEP 3



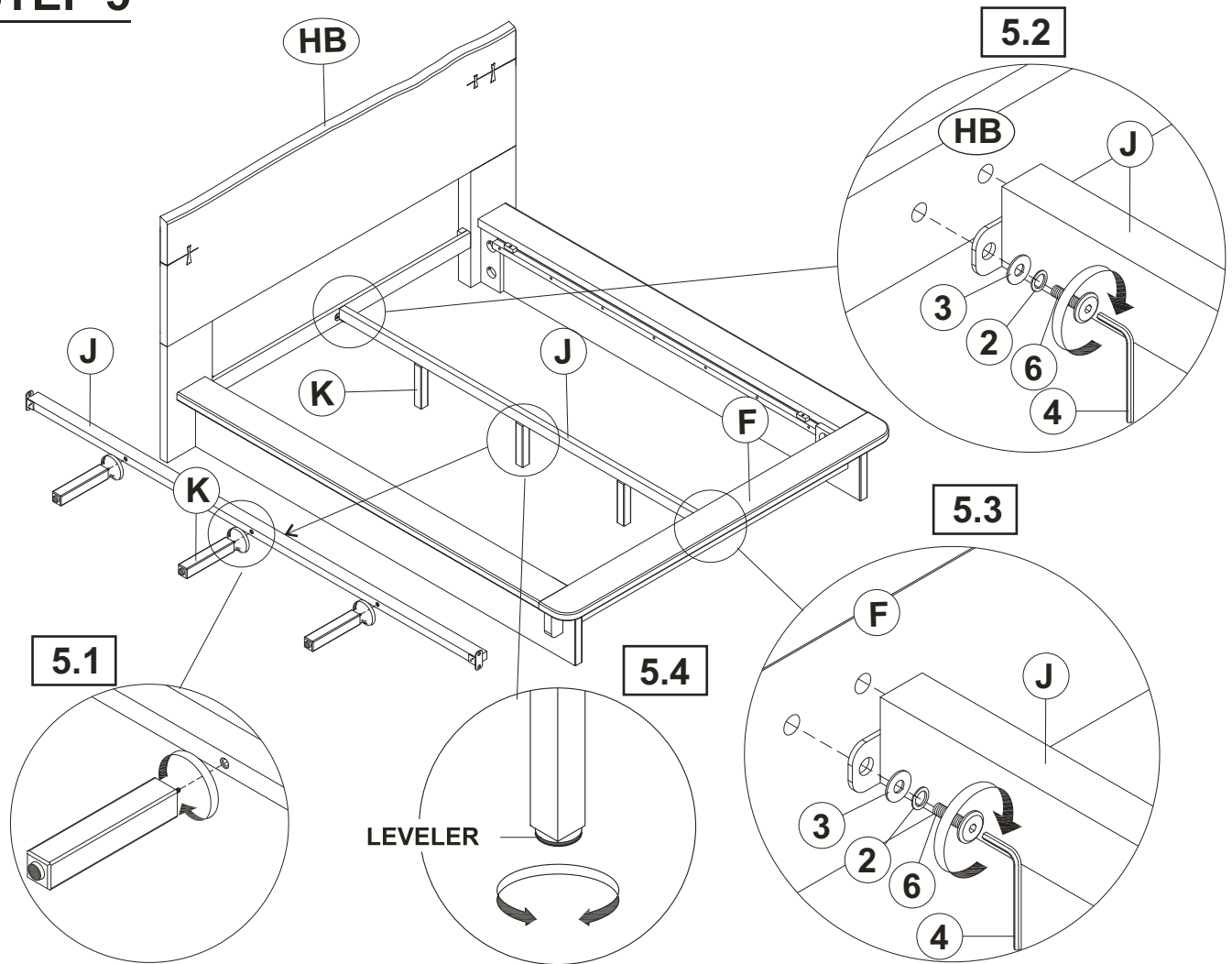
STEP 4



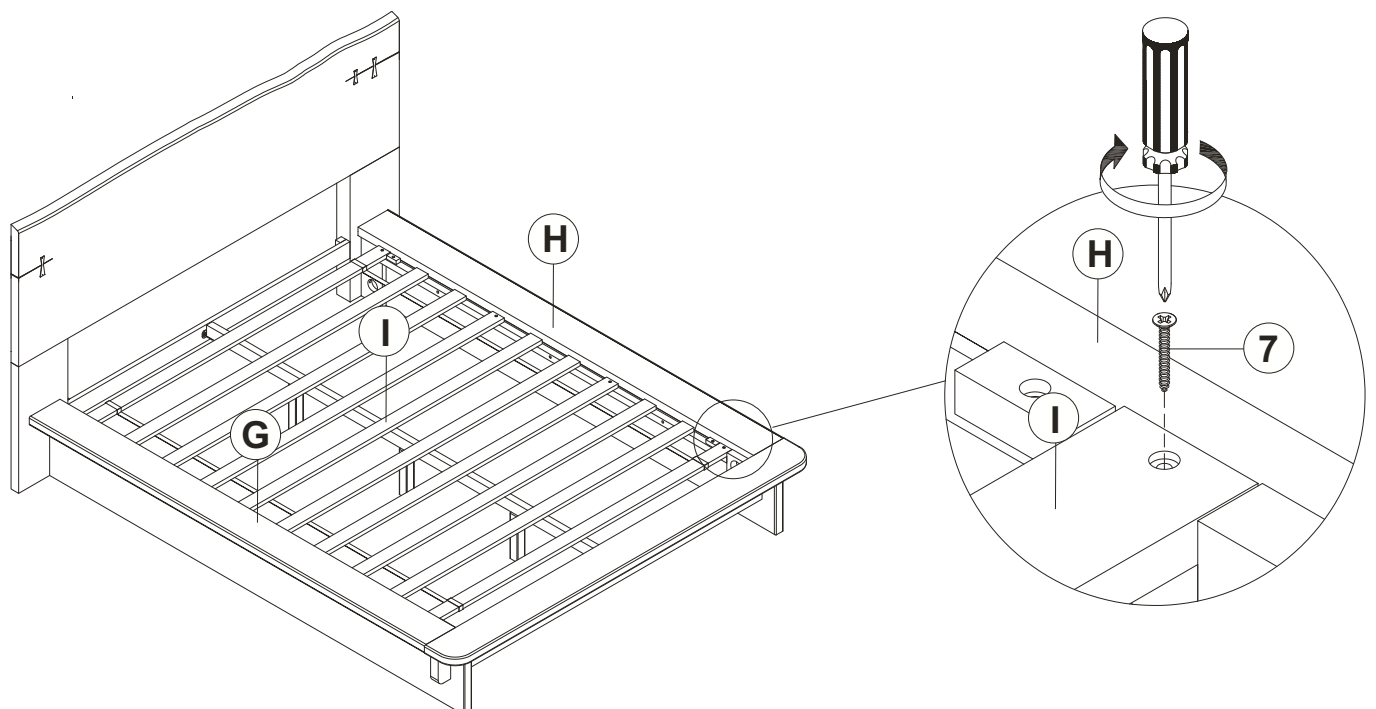
ITEM: 222801Q(B1-B3)

ASSEMBLY INSTRUCTIONS

STEP 5



STEP 6

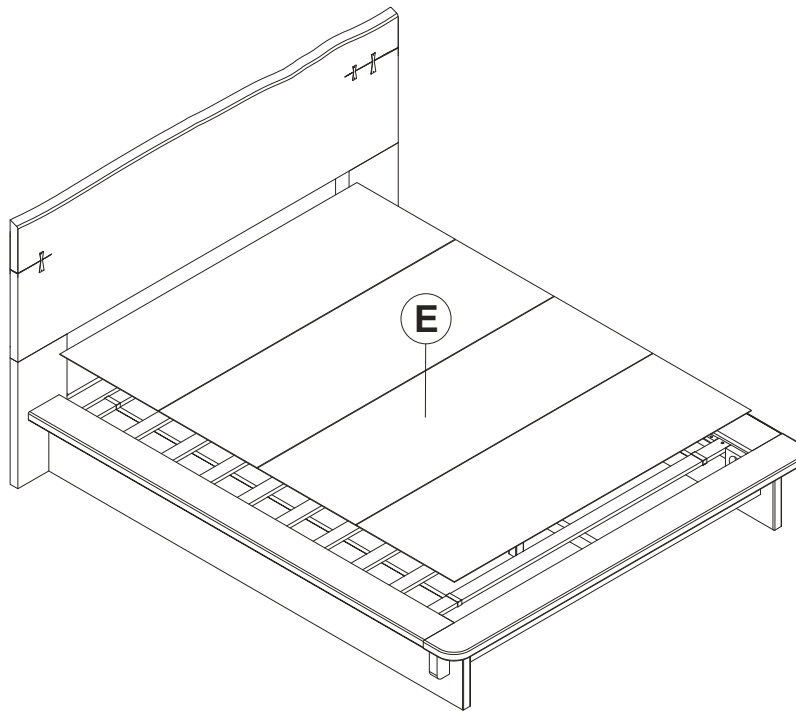


ITEM: **222801Q(B1-B3)**

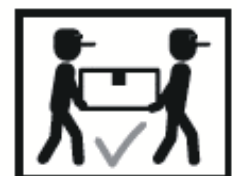
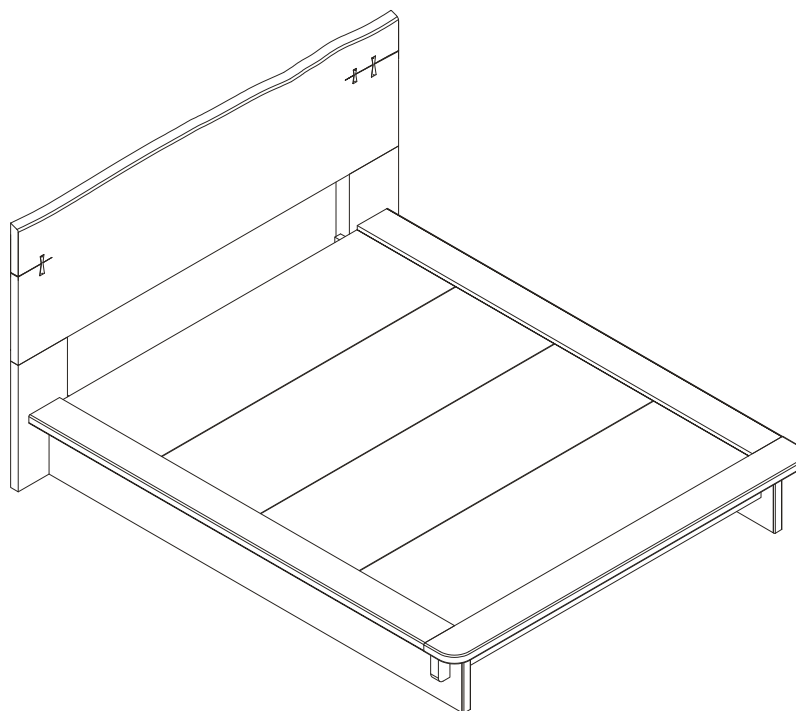
ASSEMBLY INSTRUCTIONS



STEP 7



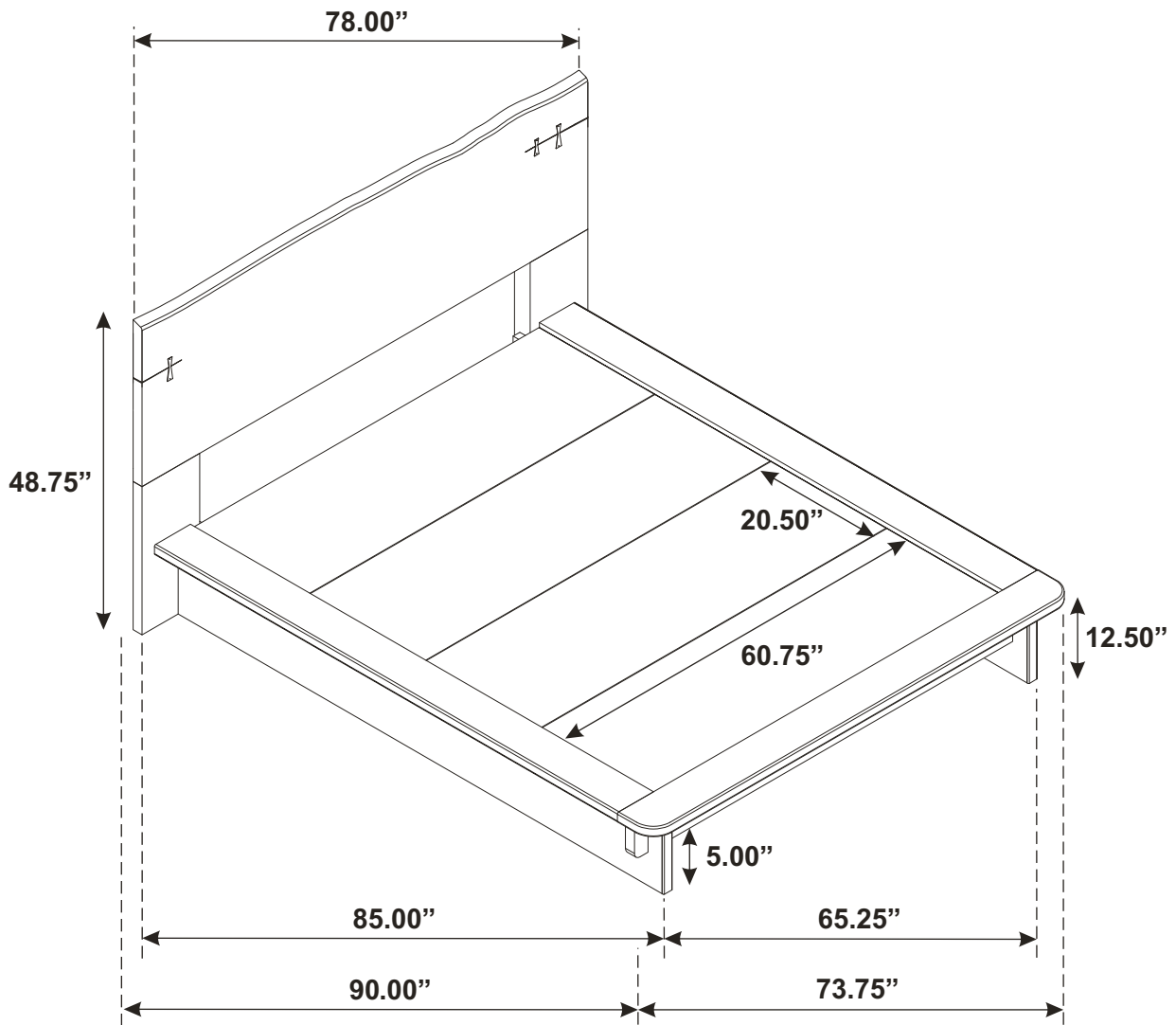
STEP 8
COMPLETE



ITEM: **222801Q(B1-B3)**



Inner Size : 61.00"W x 81.00"D



Note: Dimension tolerance $\pm 5\%$