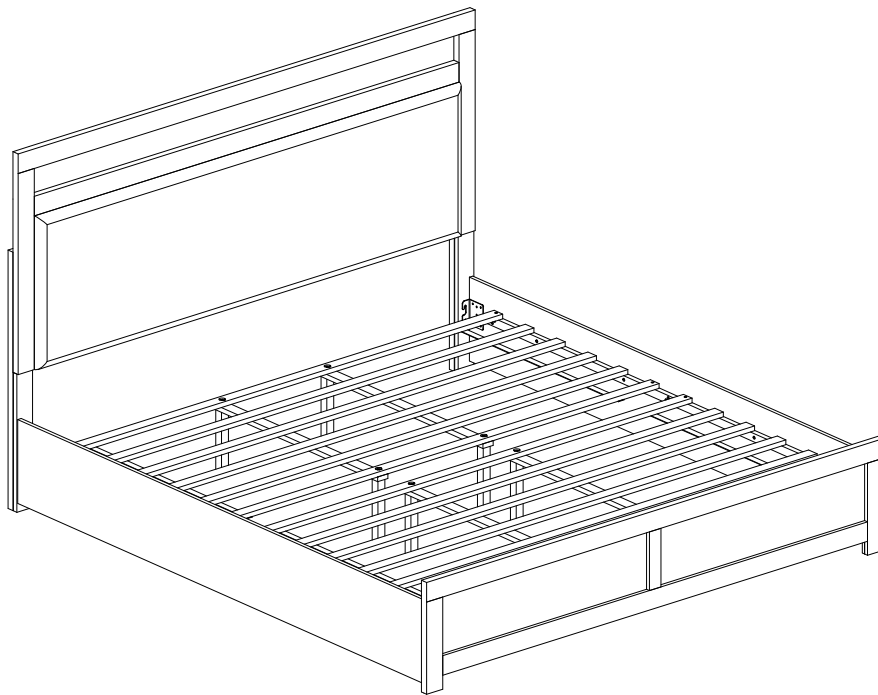


**ASSEMBLY INSTRUCTIONS**  
**COASTER FINE FURNITURE**



*Fine Furniture for every stage of life*

**222651KE(B1&B2)**  
***Eastern King Bed***

# ITEM: 222651KE (B1&B2)



## ASSEMBLY INSTRUCTIONS

### ASSEMBLY TIPS:

1. Remove hardware from box and sort by size.
2. Please check to see that all hardware and parts are present prior to start of assembly.
3. Please follow attached instructions in the same sequence as numbered to assure fast & easy assembly.



### WARNING!

1. Don't attempt to repair or modify parts that are broken or defective. Please contact the store immediately.
2. This product is for home use only and not intended for commercial establishments.



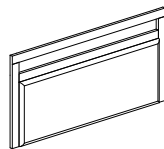
ASSEMBLY TIME

30 MINUTES

## PARTS IDENTIFICATION

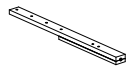
### B1 (BOX 1)

A HEADBOARD PANEL



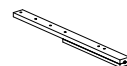
1PC

B LEFT HEADBOARD LEG (WITH "L" LABEL)



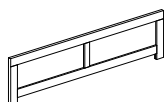
1PC

C RIGHT HEADBOARD LEG (WITH "R" LABEL)



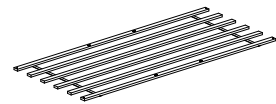
1PC

D FOOTBOARD



1PC

E ROLL SLAT (6PCS)



2SETS

F CENTER RAIL



4PCS

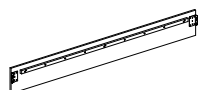
G CENTER RAIL SUPPORT WITH LEVELER



8PCS

### B2 (BOX 2)

H BED RAIL



2PCS

# ITEM: 222651KE (B1&B2)



## ASSEMBLY INSTRUCTIONS

### ASSEMBLY TIPS:

1. Remove hardware from box and sort by size.
2. Please check to see that all hardware and parts are present prior to start of assembly.
3. Please follow attached instructions in the same sequence as numbered to assure fast & easy assembly.

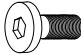
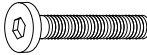



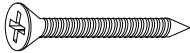


### WARNING!

1. Don't attempt to repair or modify parts that are broken or defective. Please contact the store immediately.
2. This product is for home use only and not intended for commercial establishments.

## HARDWARE IDENTIFICATION

### Z-B1 (BOX 1) - HARDWARE IS LOCATED IN 222651KE (B1)

1	<b>SHORT BOLT</b> (M8 x 16MM - RBW)		8PCS
2	<b>LONG BOLT</b> (M8 x 40MM - RBW)		8PCS
3	<b>LOCK WASHER</b> (5/16" x 14Ø - RBW)		8PCS
4	<b>FLAT WASHER</b> (5/16" x 22Ø - RBW)		8PCS
5	<b>ALLEN WRENCH</b> (M5 x 68MM - BLK)		1PC
6	<b>FLAT HEAD SCREW</b> (M4 x 32MM - RBW)		8PCS

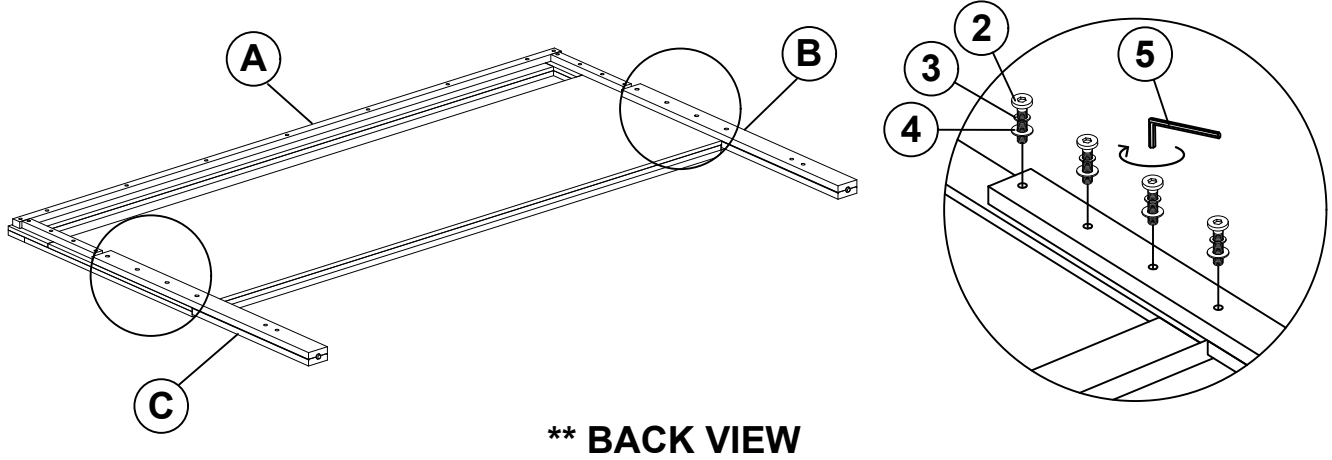
### NOTE:

Phillips head screw driver is required in the assembly process; however, manufacturer does not provided this item.

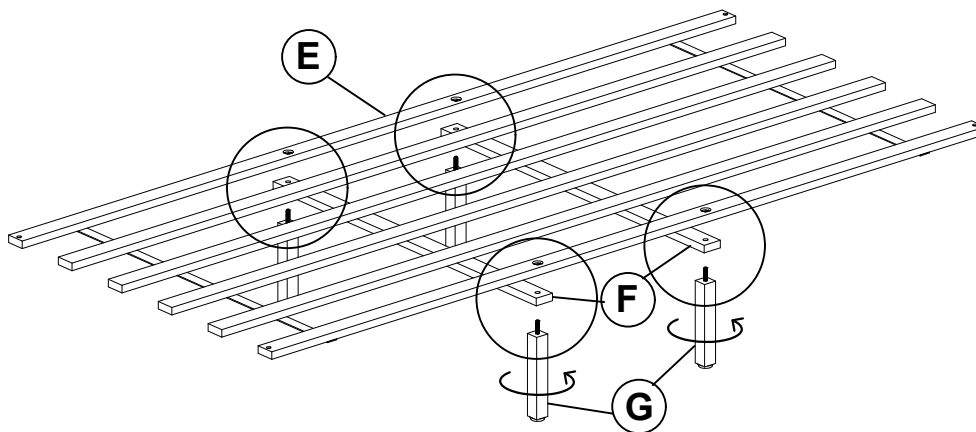
# ITEM: 222651KE (B1&B2)

## ASSEMBLY INSTRUCTIONS

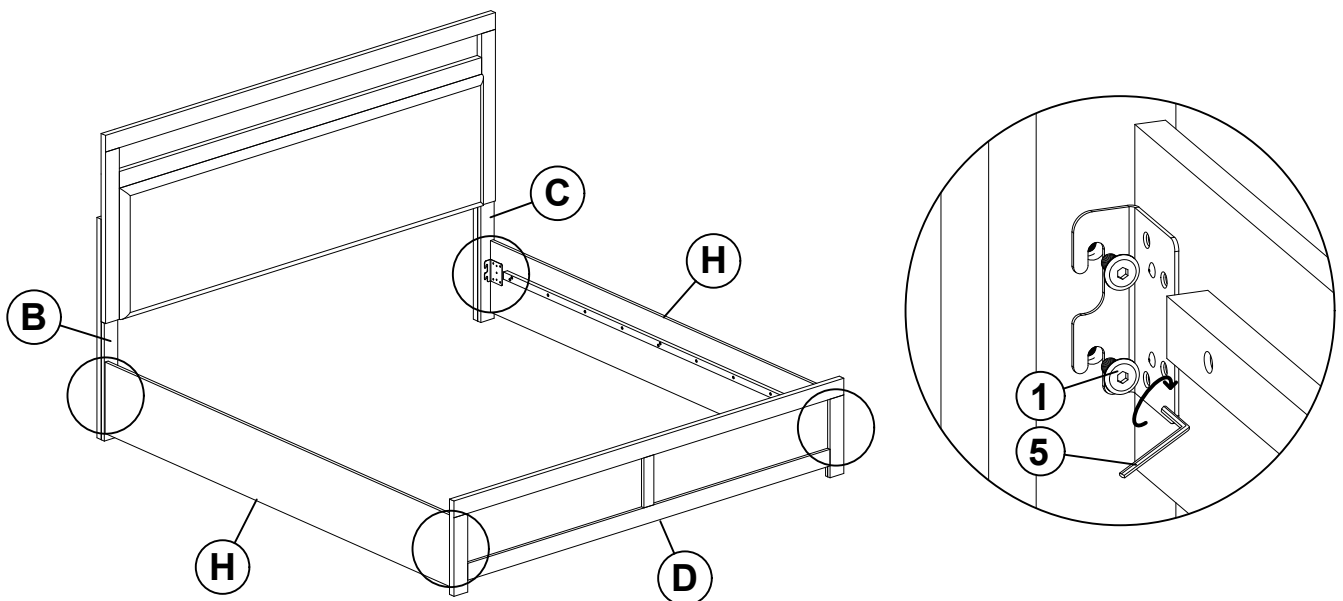
### STEP 1



### STEP 2



### STEP 3

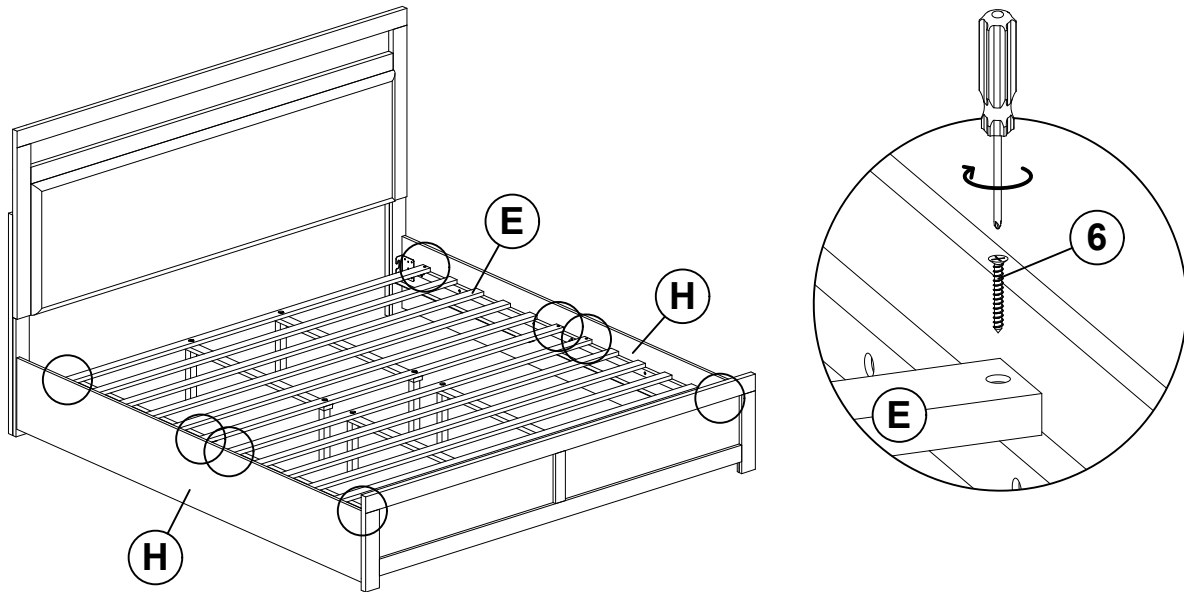


ITEM: **222651KE (B1&B2)**

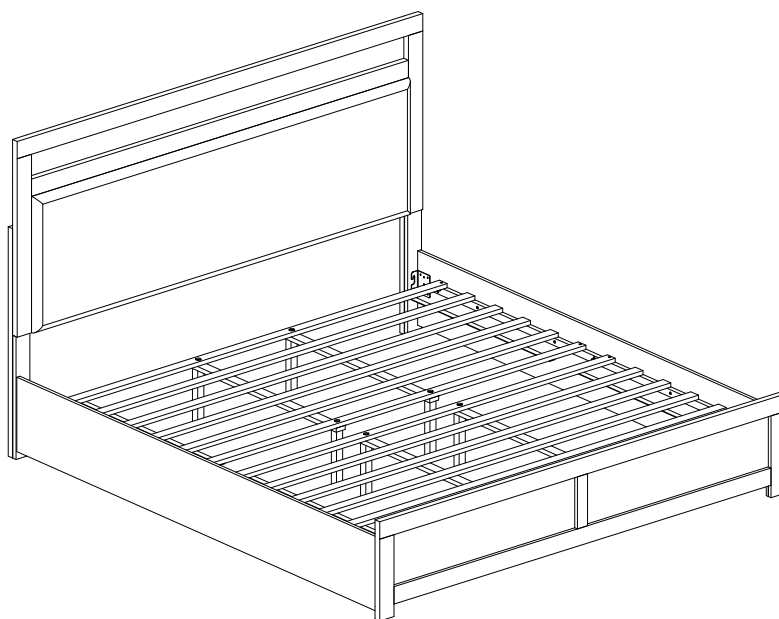


**ASSEMBLY INSTRUCTIONS**

**STEP 4**



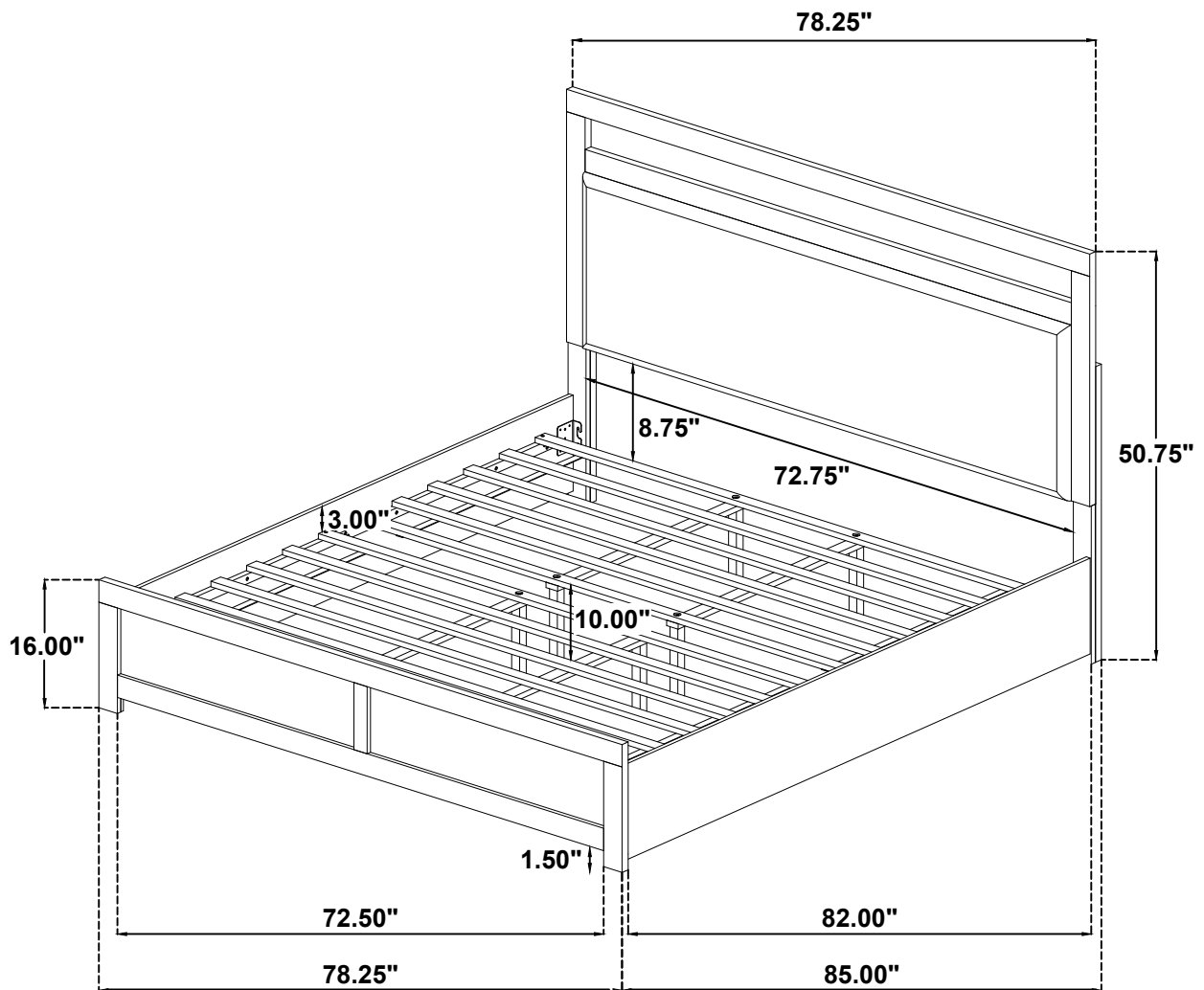
**STEP 5**  
**COMPLETE**



ITEM: **222651KE (B1&B2)**



Inner Size : 76.50"W X 82.00"D



Note : Dimension tolerance  $\pm 5\%$