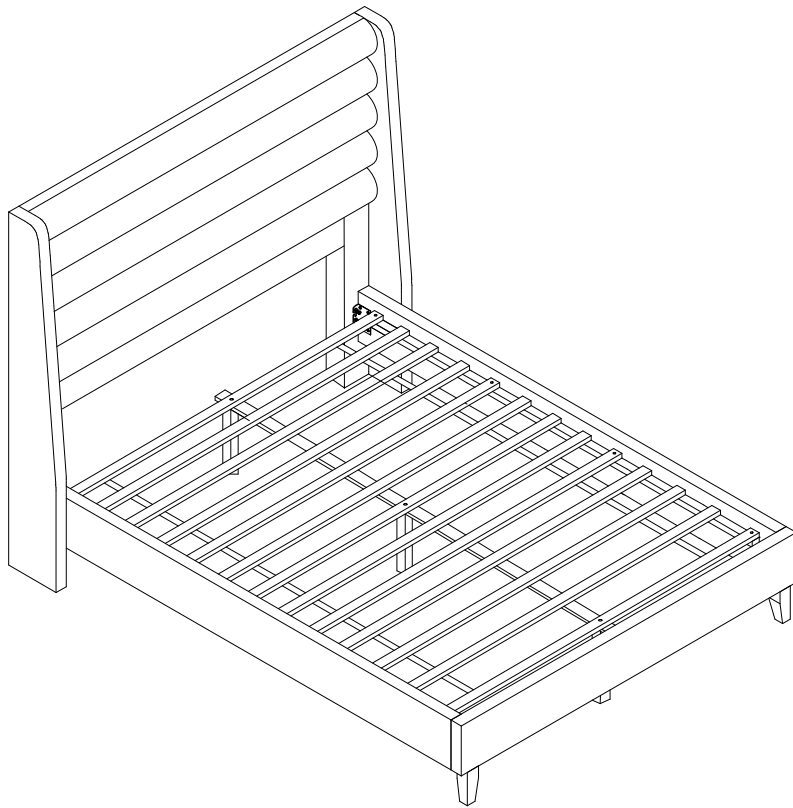




ASSEMBLY INSTRUCTIONS COASTER FINE FURNITURE



Fine Furniture for every stage of life

315983F(B1&B2)
Full Bed

REVISION 0: 03/10/2026

COASTERFURNITURE.COM

ITEM: 315983F(B1&B2)

ASSEMBLY INSTRUCTIONS

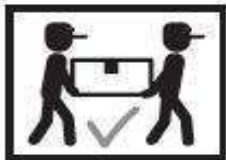
ASSEMBLY TIPS:

1. Remove hardware from box and sort by size.
2. Please check to see that all hardware and parts are present prior to start of assembly.
3. Please follow attached instructions in the same sequence as numbered to assure fast & easy assembly.



WARNING!

1. Don't attempt to repair or modify parts that are broken or defective. Please contact the store immediately.
2. This product is for home use only and not intended for commercial establishments.



ASSEMBLY TIME

30 MINUTES

PARTS IDENTIFICATION

B1 (BOX 1)

A HEADBOARD PANEL



1PC

B LEFT HEADBOARD
SIDE RAIL



1PC

C LEFT HEADBOARD
LEG



1PC

D RIGHT HEADBOARD
SIDE RAIL



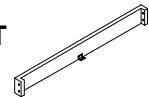
1PC

E RIGHT HEADBOARD
LEG



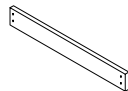
1PC

F HEADBOARD SUPPORT
BAR



1PC

H FOOTBOARD PANEL



1PC

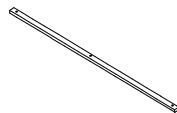
G FOOTBOARD LEG



2PCS

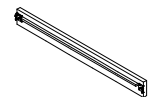
B2 (BOX 2)

I CENTER RAIL



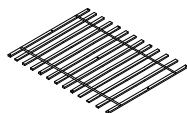
1PC

J BED RAIL



2PCS

K ROLL SLAT
(13PCS)



1SET

L CENTER RAIL SUPPORT
WITH LEVELER



3PCS

ITEM: 315983F(B1&B2)

ASSEMBLY INSTRUCTIONS

ASSEMBLY TIPS:

1. Remove hardware from box and sort by size.
2. Please check to see that all hardware and parts are present prior to start of assembly.
3. Please follow attached instructions in the same sequence as numbered to assure fast & easy assembly.










WARNING!



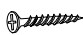


1. Don't attempt to repair or modify parts that are broken or defective. Please contact the store immediately.
2. This product is for home use only and not intended for commercial establishments.

HARDWARE IDENTIFICATION

Z-B1 (BOX 1) - HARDWARE PACK IS LOCATED IN 315983F(B1)

1	LONG THREADED BOLT (Ø5/16" x 110mm- RBW)		4PCS	2	SHORT THREADED BOLT (Ø5/16" x 50mm- RBW)		12PCS
3	BIG FLAT WASHER (Ø5/16"x 22mm - RBW)		14PCS	4	LOCK WASHER (Ø5/16" - RBW)		16PCS
5	ALLEN WRENCH (5mm x 100mm - RBW)		1PC	6	FLAT HEAD SCREW (M4 x 20mm - BLK)		2PCS
7	SMALL FLAT WASHER (Ø5/16"x 19mm - RBW)		2PCS				

Z-B2 (BOX 2) - HARDWARE PACK IS LOCATED IN 315983F(B2)

8	THREADED BOLT (Ø5/16" x 35mm- RBW)		8PCS	9	FLAT WASHER (Ø5/16"x 19mm - RBW)		8PCS
10	FLAT HEAD SCREW (M4 x 35mm - RBW)		8PCS	11	LOCK WASHER (Ø5/16" - RBW)		8PCS
12	ALLEN WRENCH (5mm x 100mm - RBW)		1PC				

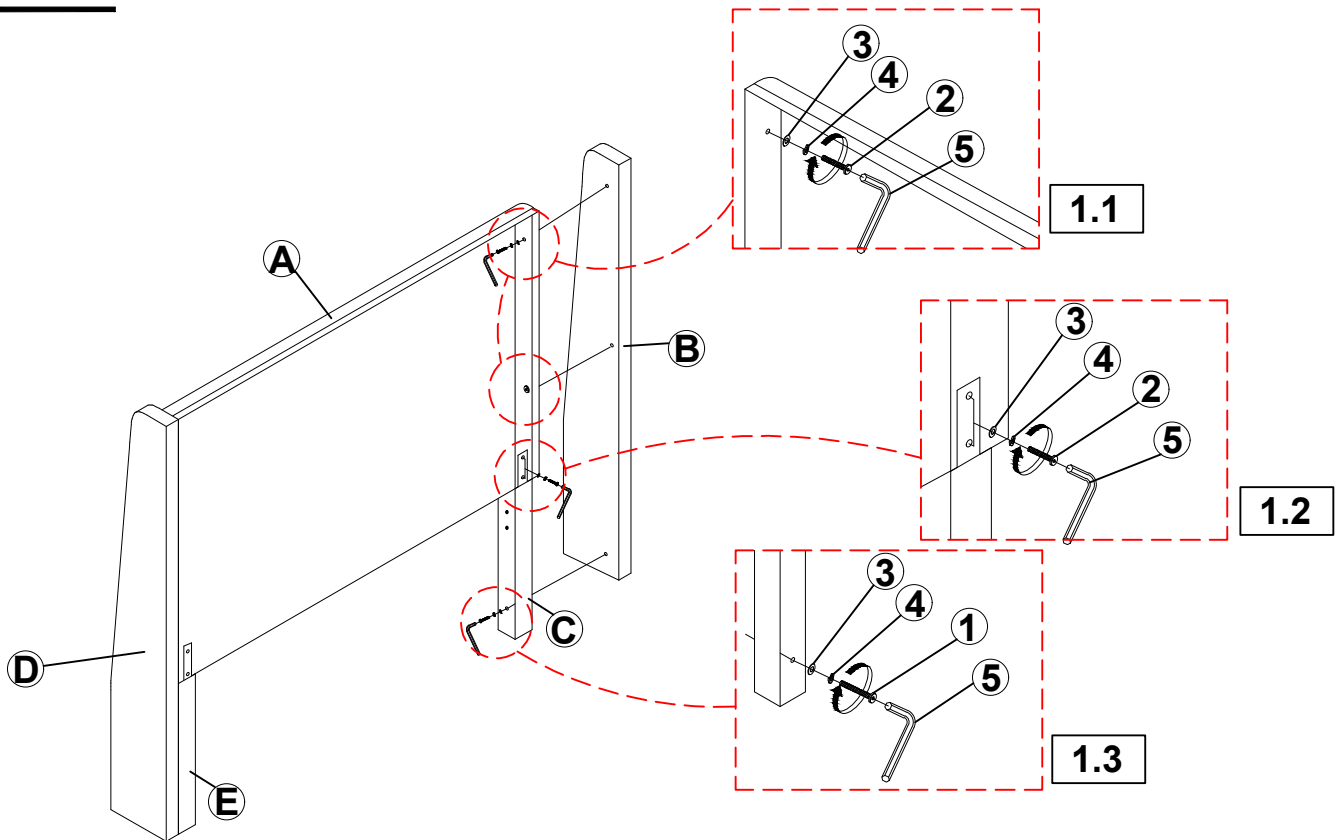
NOTE:

Phillips head screw driver is re quired in the assembly process; however, manufacturer does not provide this item.

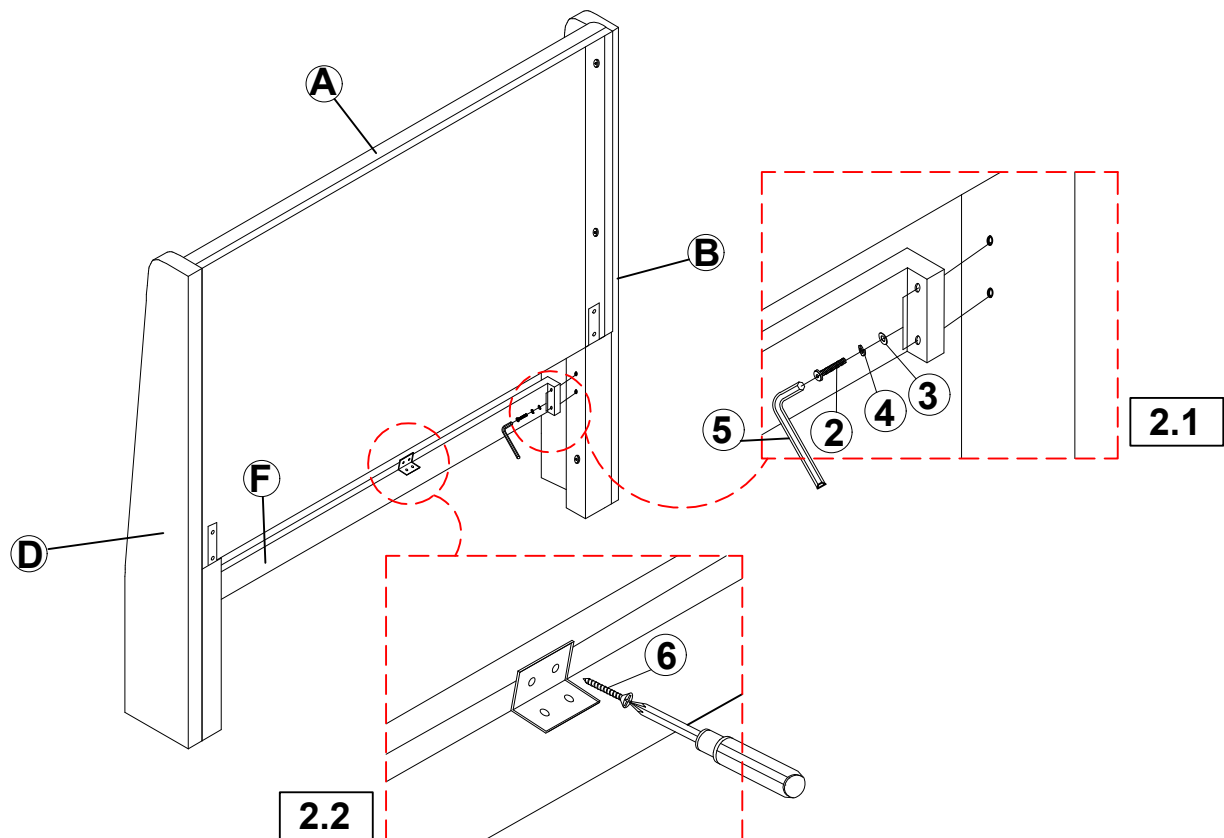
ITEM: 315983F(B1&B2)

ASSEMBLY INSTRUCTIONS

STEP 1



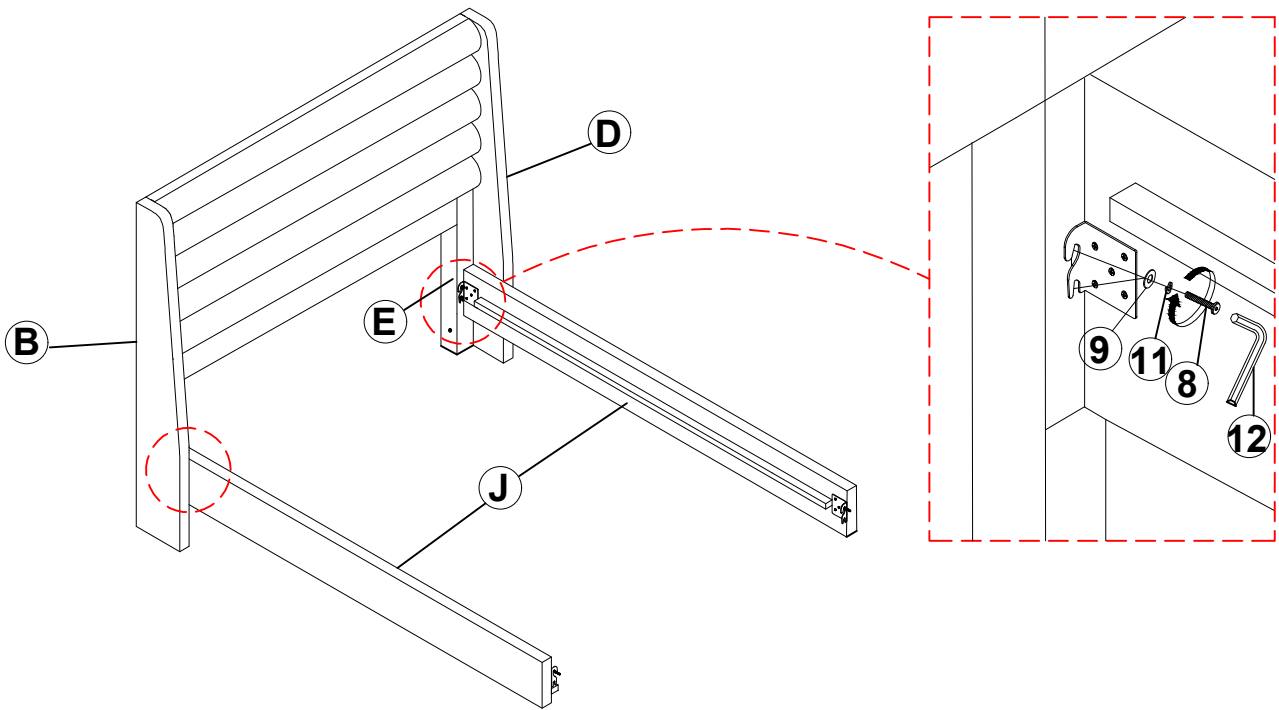
STEP 2



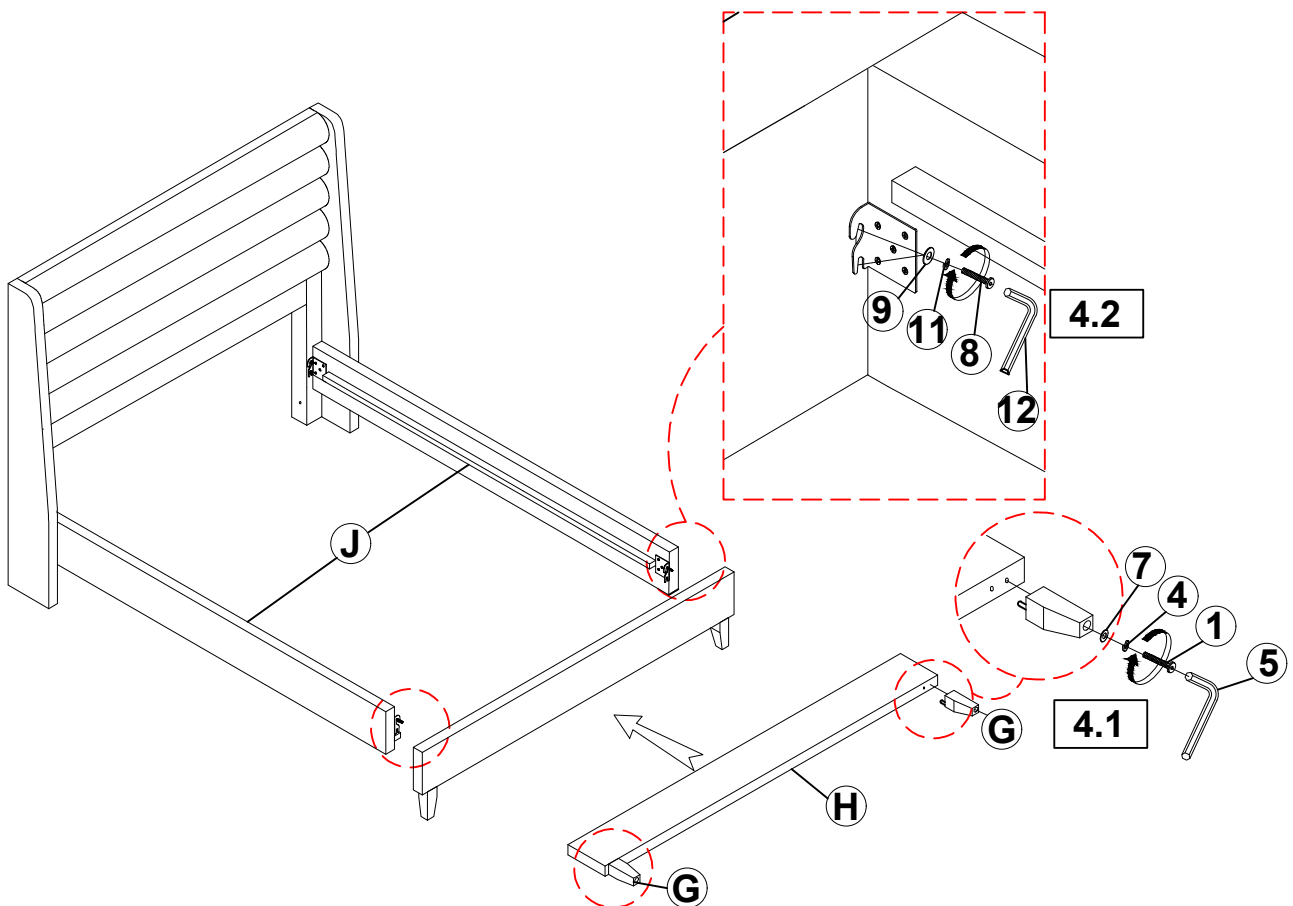
ITEM: 315983F(B1&B2)

ASSEMBLY INSTRUCTIONS

STEP 3



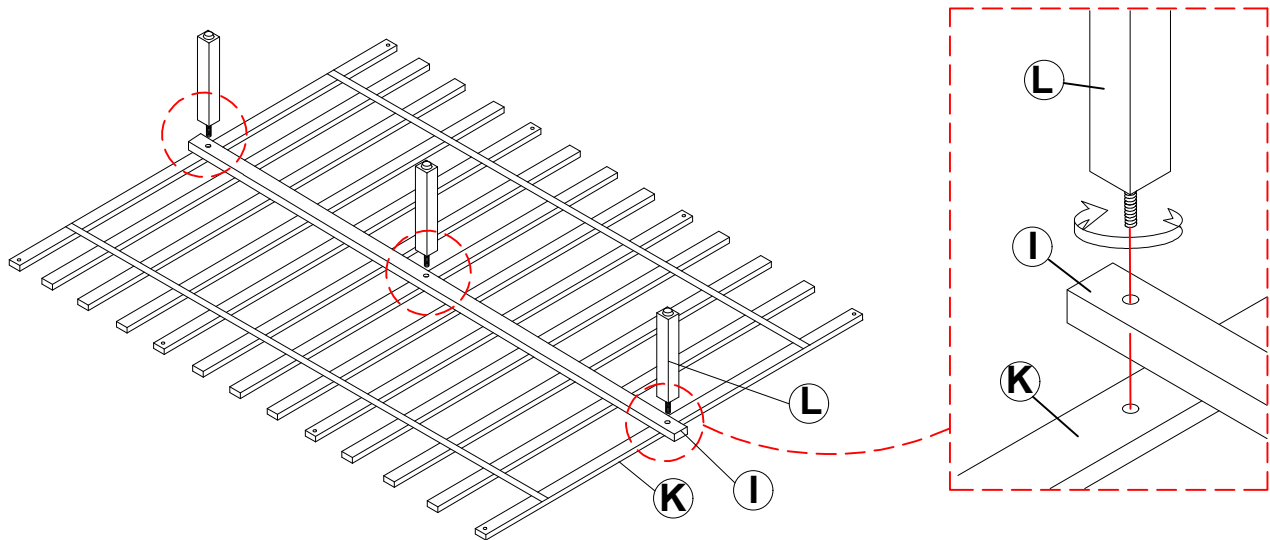
STEP 4



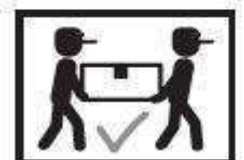
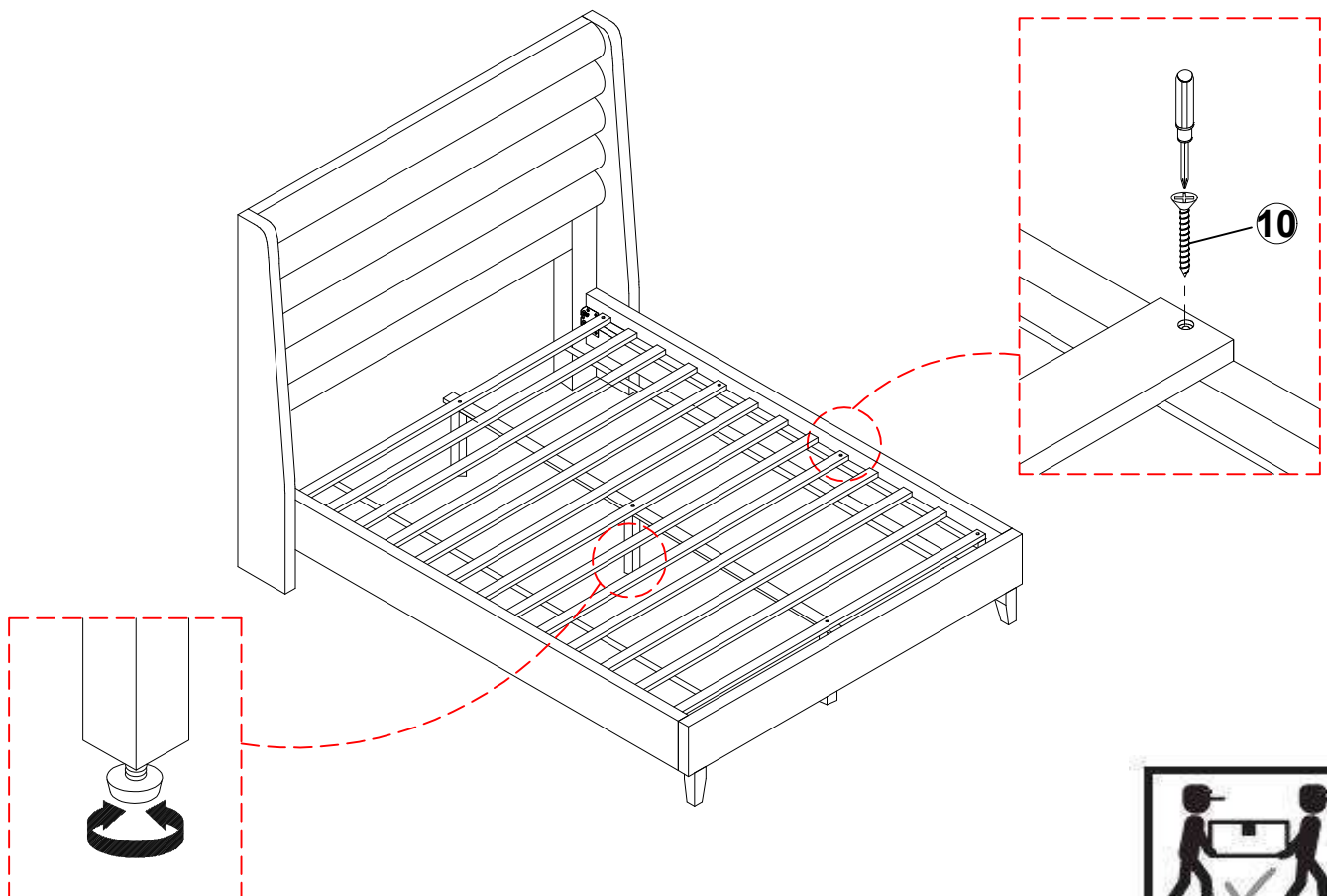
ITEM: 315983F(B1&B2)

ASSEMBLY INSTRUCTIONS

STEP 5



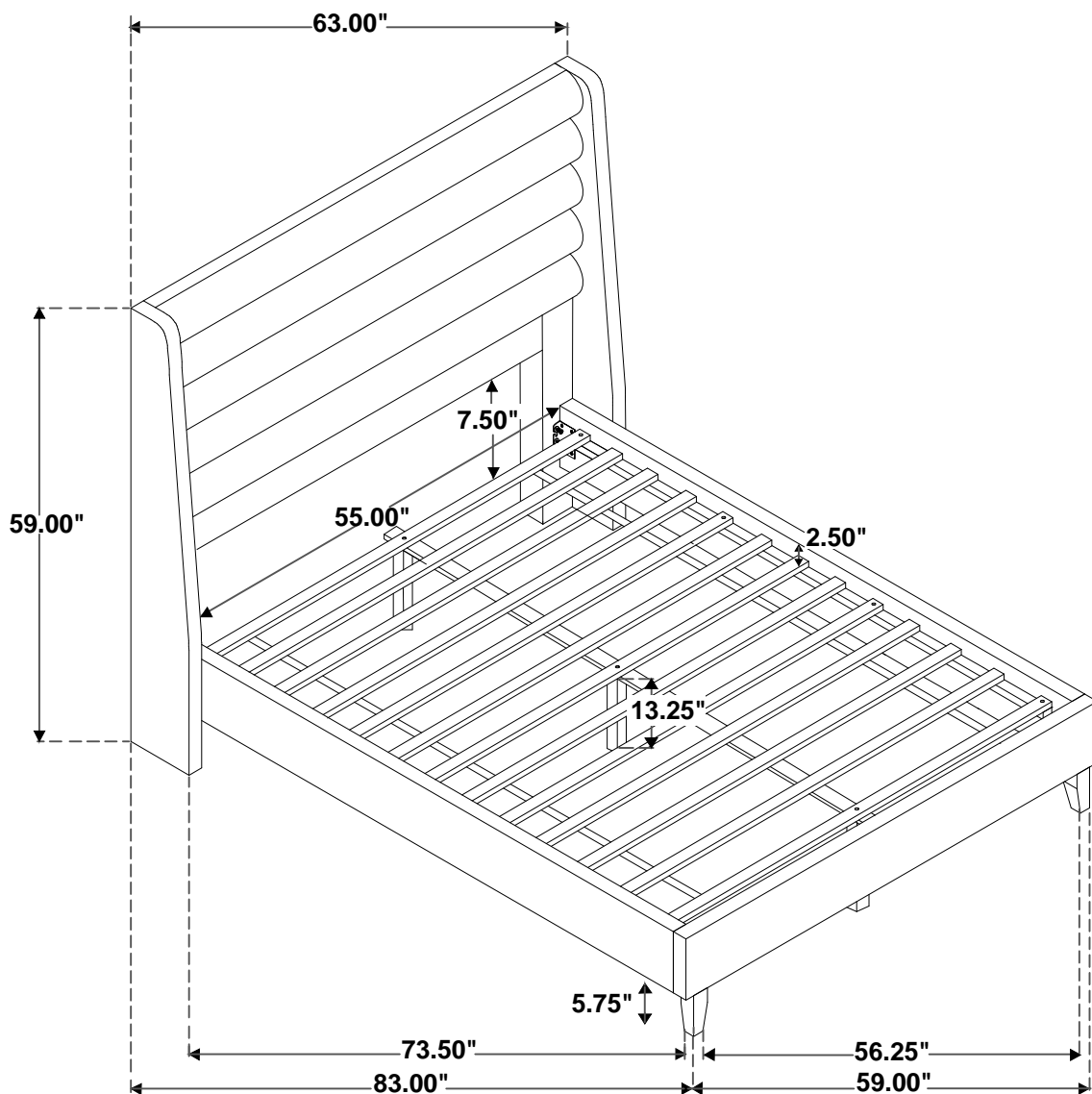
STEP 6 COMPLETE



ITEM: **315983F(B1&B2)**



Inner size: 55.00"W x 76.00"D



Note: Dimension tolerance $\pm 5\%$