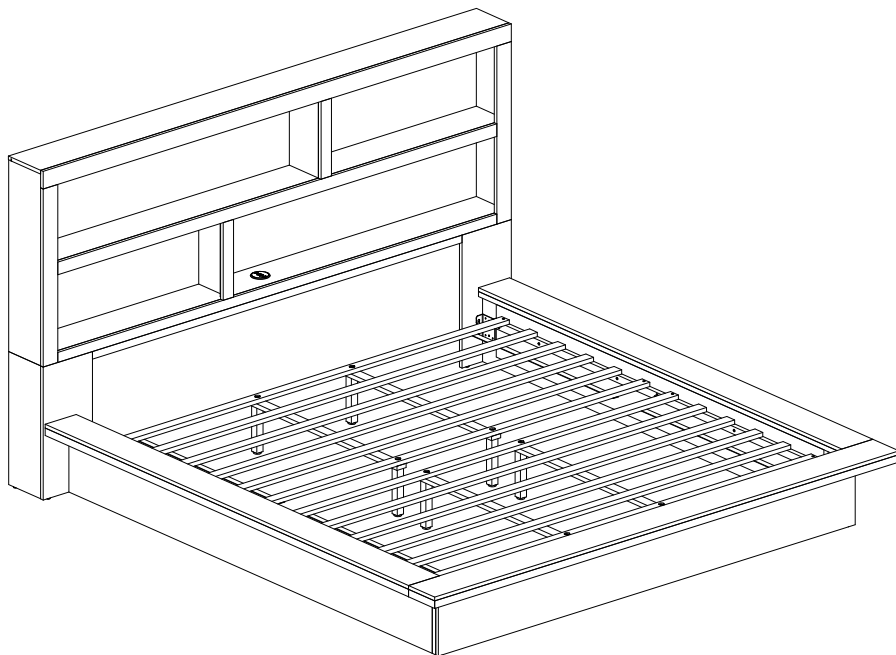


**ASSEMBLY INSTRUCTIONS**  
**COASTER FINE FURNITURE**



*Fine Furniture for every stage of life*

**222650KW(B1&B2)**  
**California King Bed**

# ITEM: 222650KW (B1&B2)



## ASSEMBLY INSTRUCTIONS

### ASSEMBLY TIPS:

1. Remove hardware from box and sort by size.
2. Please check to see that all hardware and parts are present prior to start of assembly.
3. Please follow attached instructions in the same sequence as numbered to assure fast & easy assembly.



### WARNING!

1. Don't attempt to repair or modify parts that are broken or defective. Please contact the store immediately.
2. This product is for home use only and not intended for commercial establishments.

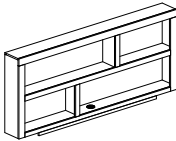
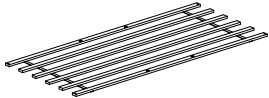
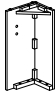



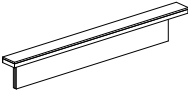
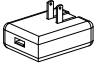


ASSEMBLY TIME

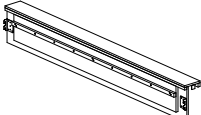
30 MINUTES

## PARTS IDENTIFICATION

### B1 (BOX 1)

A	HEADBOARD PANEL		1PC	E	ROLL SLAT (6PCS)		2SETS
B	LEFT HEADBOARD LEG (WITH "L" LABEL)		1PC	F	CENTER RAIL		4PCS
C	RIGHT HEADBOARD LEG (WITH "R" LABEL)		1PC	G	CENTER RAIL SUPPORT WITH LEVELER		8PCS
D	FOOTBOARD		1PC	I	ADAPTER		1PC

### B2 (BOX 2)

H	BED RAIL		2PCS
---	----------	---	------

# ITEM: 222650KW (B1&B2)



## ASSEMBLY INSTRUCTIONS

### ASSEMBLY TIPS:

1. Remove hardware from box and sort by size.
2. Please check to see that all hardware and parts are present prior to start of assembly.
3. Please follow attached instructions in the same sequence as numbered to assure fast & easy assembly.

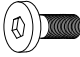
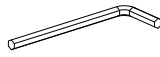
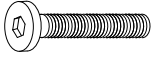


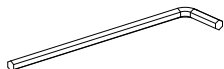



### WARNING!

1. Don't attempt to repair or modify parts that are broken or defective. Please contact the store immediately.
2. This product is for home use only and not intended for commercial establishments.

## HARDWARE IDENTIFICATION

### Z-B1 (BOX 1) - HARDWARE IS LOCATED IN 222650KW (B1)

1	<b>SHORT BOLT</b> (M8 x 16MM - RBW)		8PCS
2	<b>SHORT ALLEN WRENCH</b> (M5 x 68MM - BLK)		1PC
3	<b>LONG BOLT</b> (M6 x 35MM - RBW)		8PCS
4	<b>LOCK WASHER</b> (1/4" x 13Ø - RBW)		8PCS
5	<b>FLAT WASHER</b> (1/4" x 19Ø - RBW)		8PCS
6	<b>LONG ALLEN WRENCH</b> (M4 x 110MM - BLK)		1PC
7	<b>FLAT HEAD SCREW</b> (M4 x 32MM - RBW)		8PCS

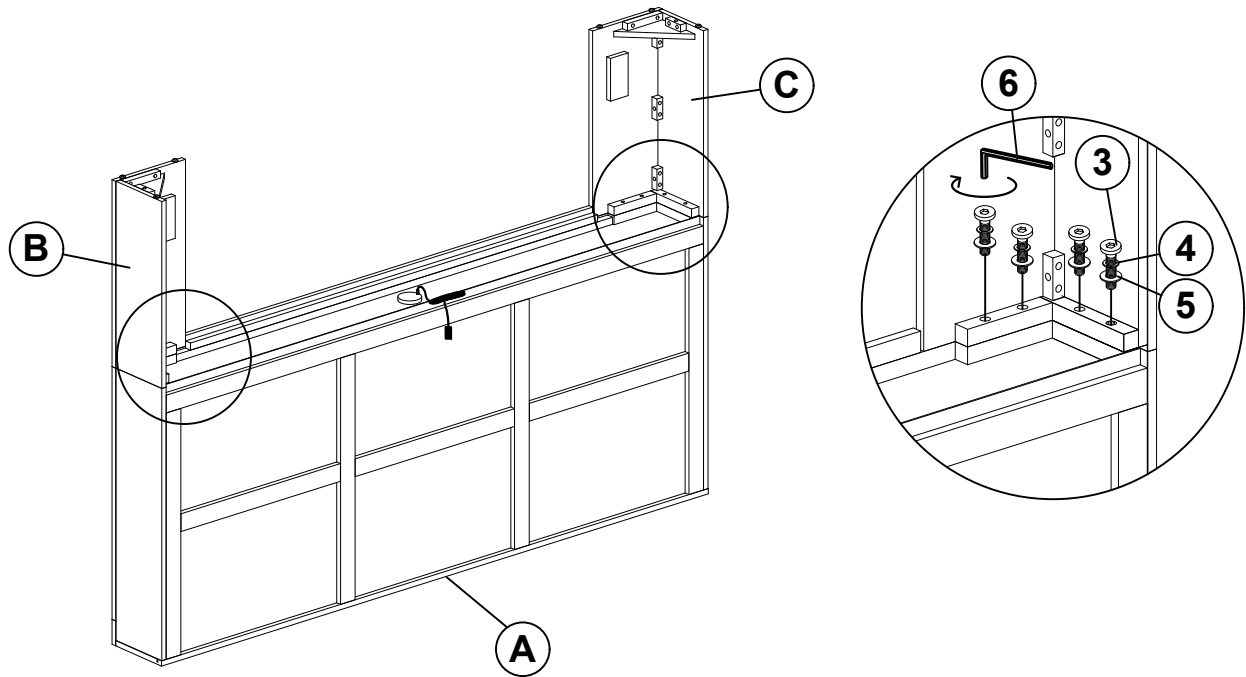
### NOTE:

Phillips head screw driver is required in the assembly process; however, manufacturer does not provided this item.

# ITEM: 222650KW (B1&B2)

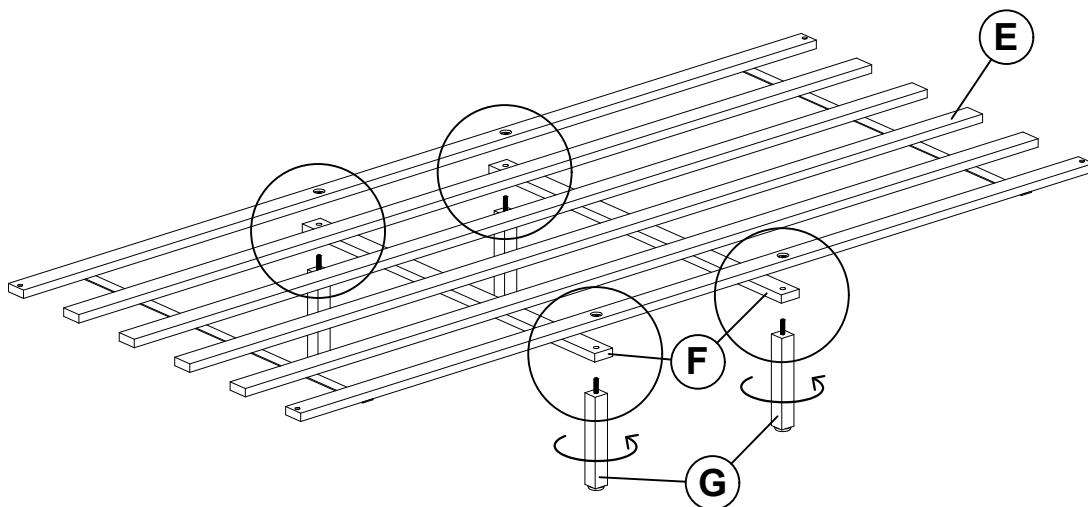
## ASSEMBLY INSTRUCTIONS

### STEP 1



**\*\* BACK VIEW**

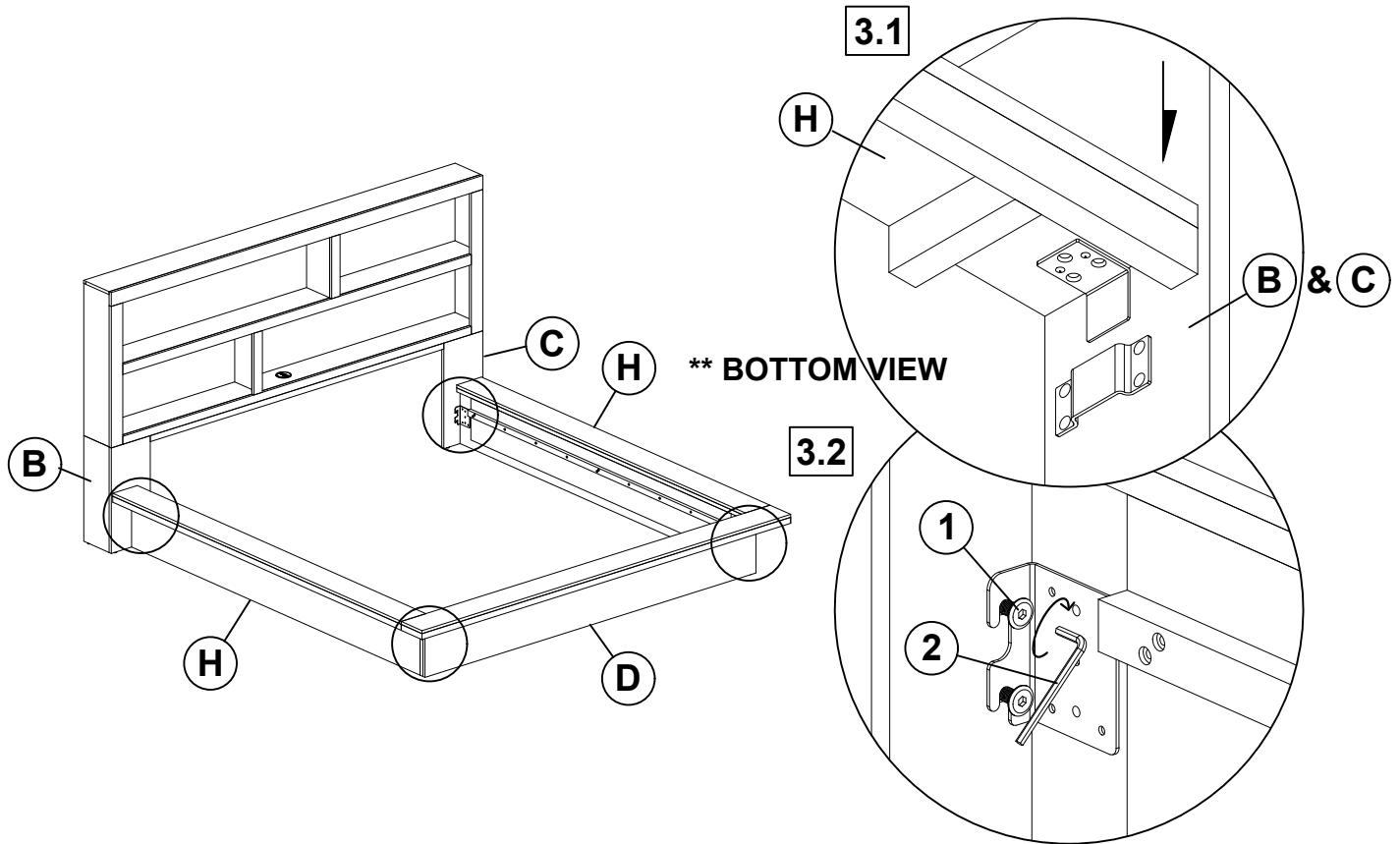
### STEP 2



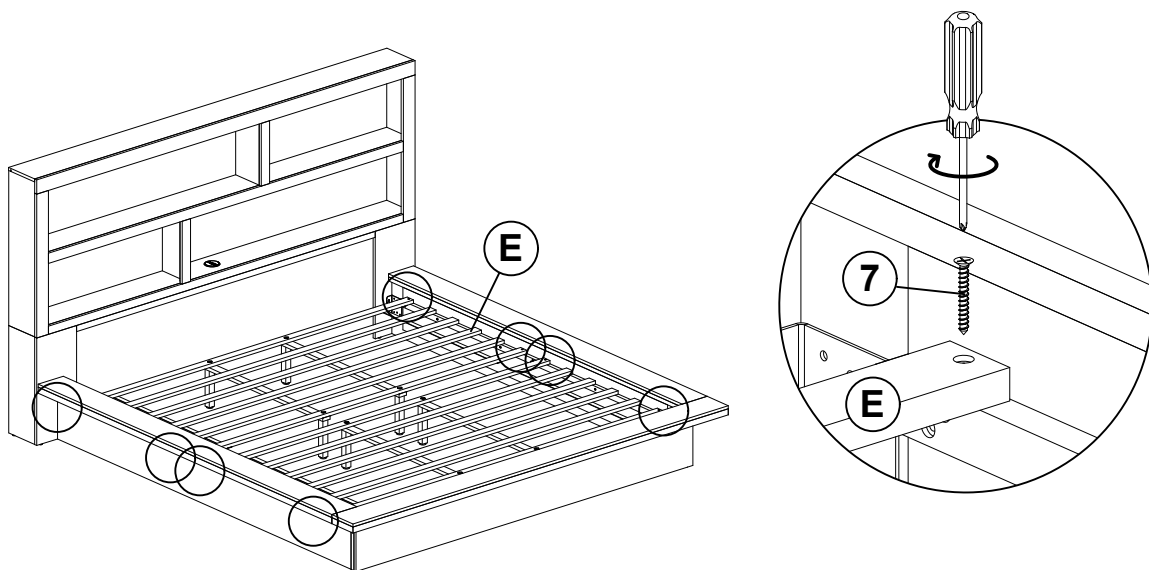
# ITEM: 222650KW (B1&B2)

## ASSEMBLY INSTRUCTIONS

### STEP 3



### STEP 4

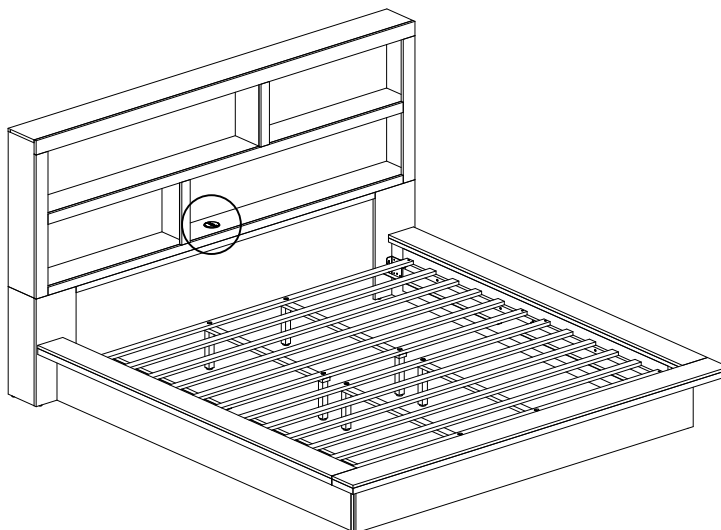
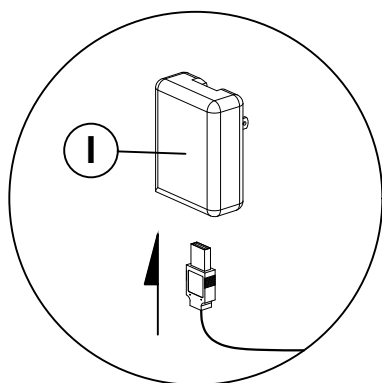


ITEM: **222650KW (B1&B2)**

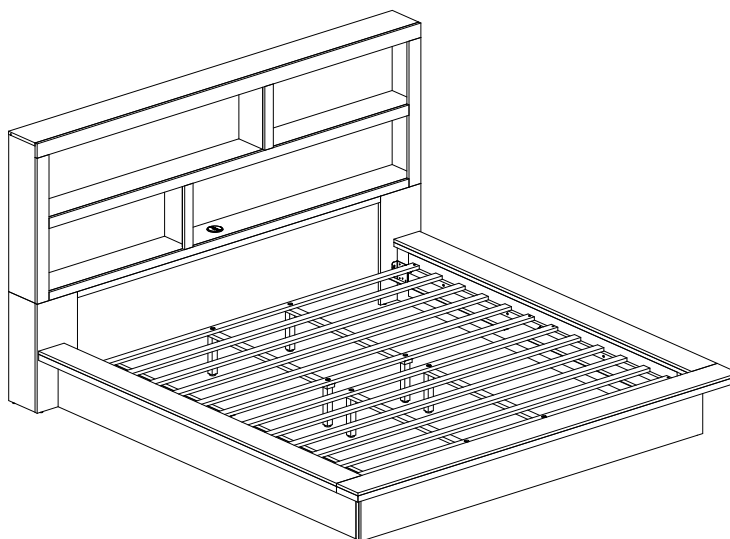


**ASSEMBLY INSTRUCTIONS**

**STEP 5**



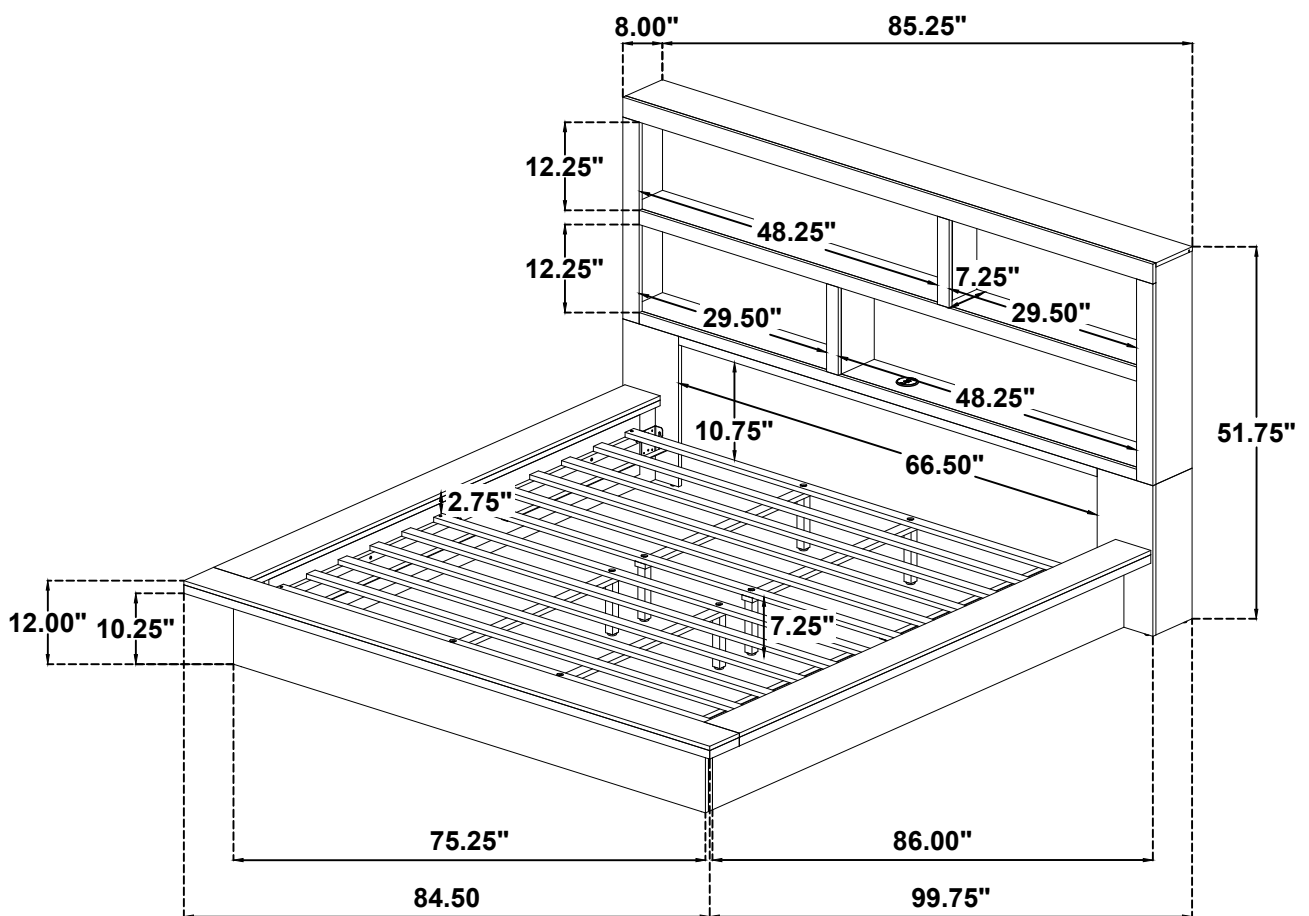
**STEP 6**  
**COMPLETE**



ITEM: **222650KW (B1&B2)**



Inner Size : 72.75"W X 86.00"D



Note : Dimension tolerance  $\pm 5\%$