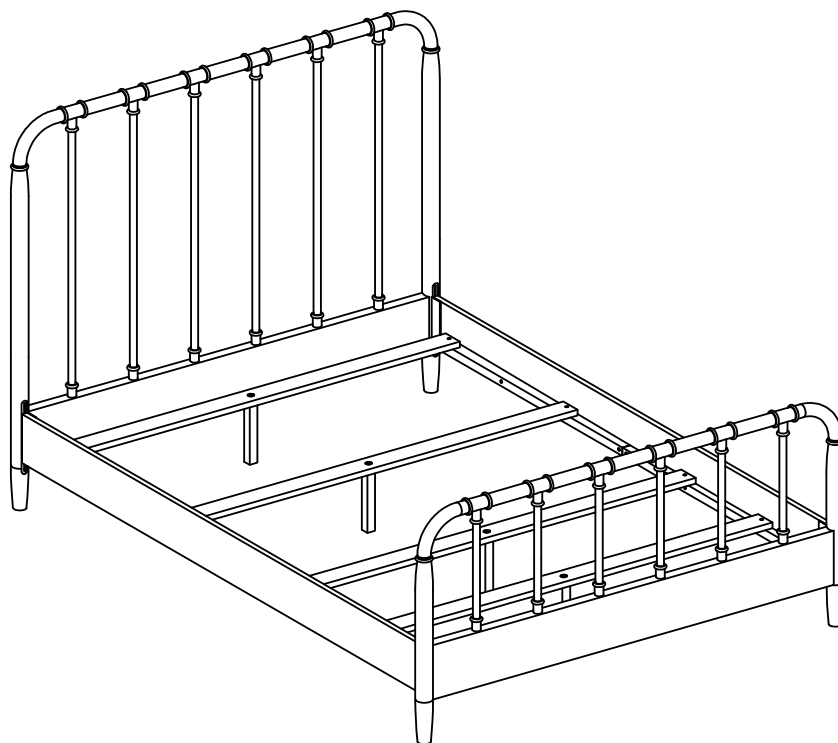


ASSEMBLY INSTRUCTIONS
COASTER FINE FURNITURE



Fine Furniture for every stage of life

310035F
Full Bed

ITEM: 310035F



ASSEMBLY INSTRUCTIONS

ASSEMBLY TIPS:

1. Remove hardware from box and sort by size.
2. Please check to see that all hardware and parts are present prior to start of assembly.
3. Please follow attached instructions in the same sequence as numbered to assure fast & easy assembly.



WARNING!

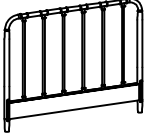
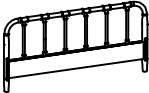

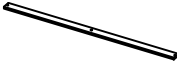

1. Don't attempt to repair or modify parts that are broken or defective. Please contact the store immediately.
2. This product is for home use only and not intended for commercial establishments.



ASSEMBLY TIME

15 MINUTES

PARTS IDENTIFICATION

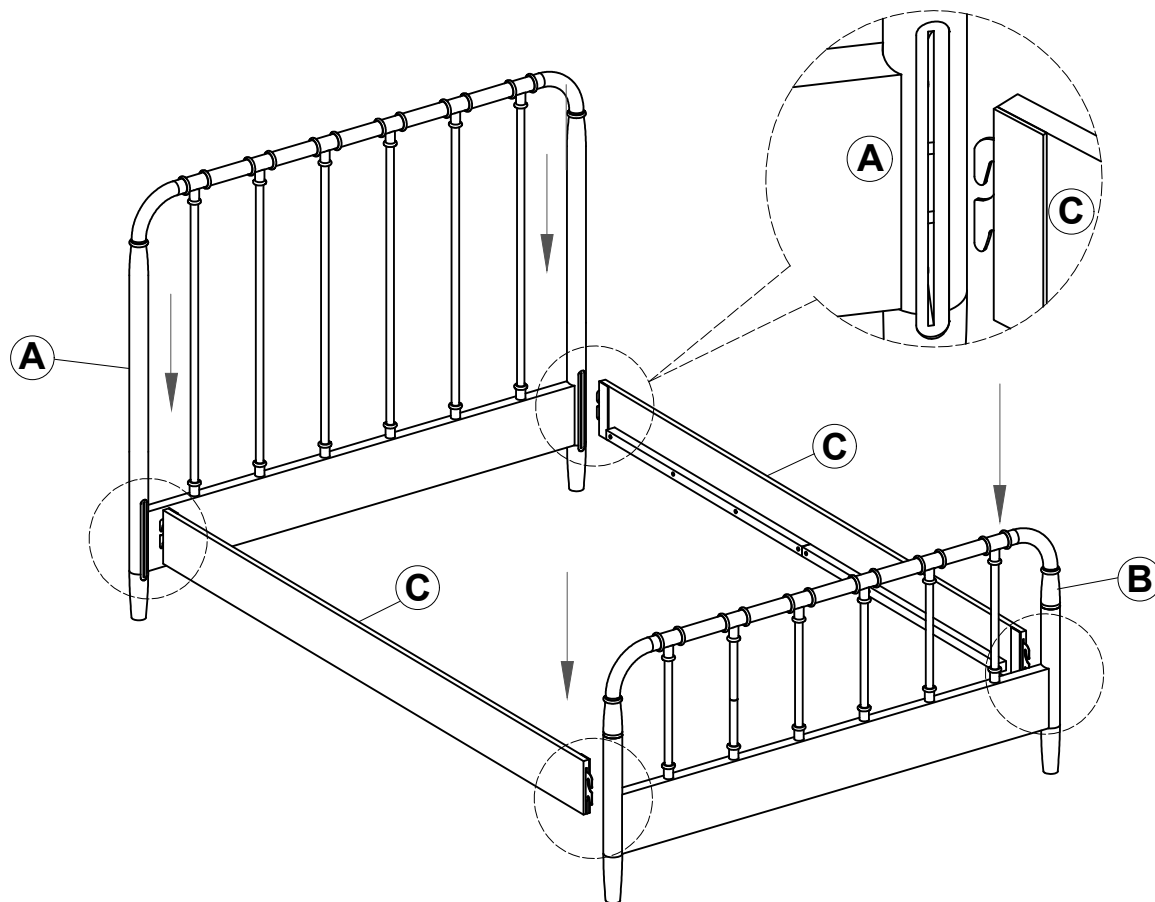
| | | | |
|---|-------------------------------|--|------|
| A | HEADBOARD |  | 1PC |
| B | FOOTBOARD |  | 1PC |
| C | BED RAIL |  | 2PCS |
| D | BED SLAT |  | 4PCS |
| E | BED SLAT SUPPORT WITH LEVELER |  | 4PCS |

HARDWARE IDENTIFICATION

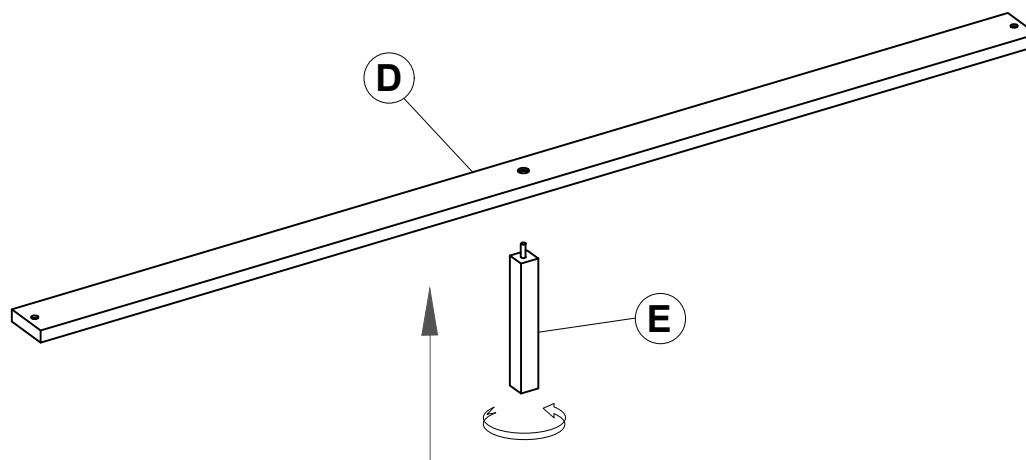
| | | | |
|---|---|---|------|
| 1 | FLAT HEAD SCREW (Ø4" x 1 1/4" - RBW) |  | 8PCS |
|---|---|---|------|

ITEM: **310035F**
ASSEMBLY INSTRUCTIONS

STEP 1



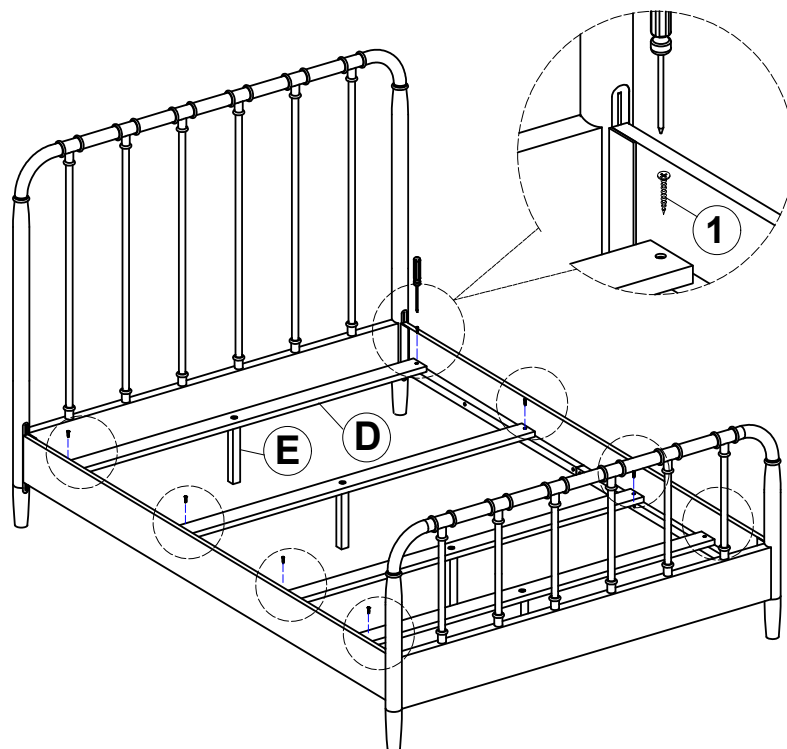
STEP 2



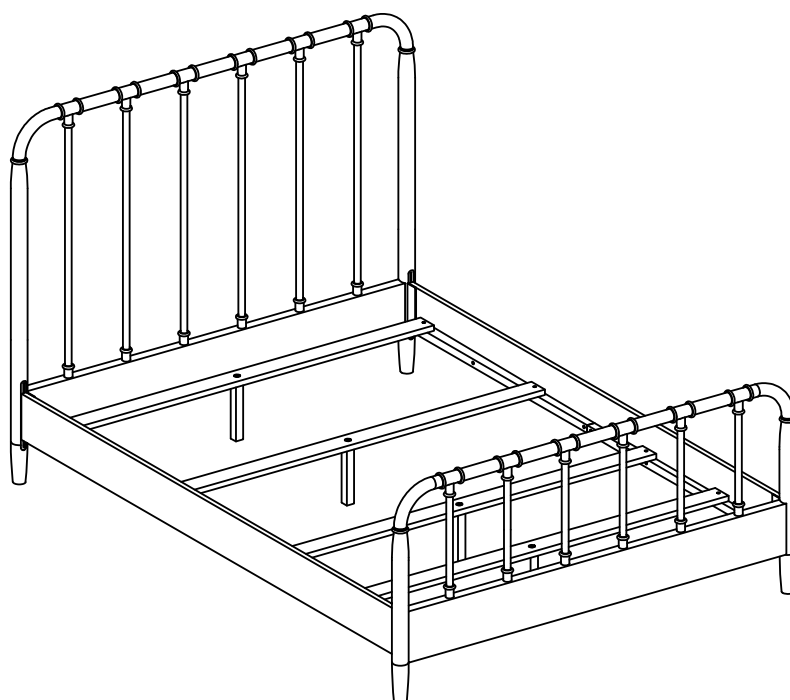
ITEM: **310035F**
ASSEMBLY INSTRUCTIONS



STEP 3



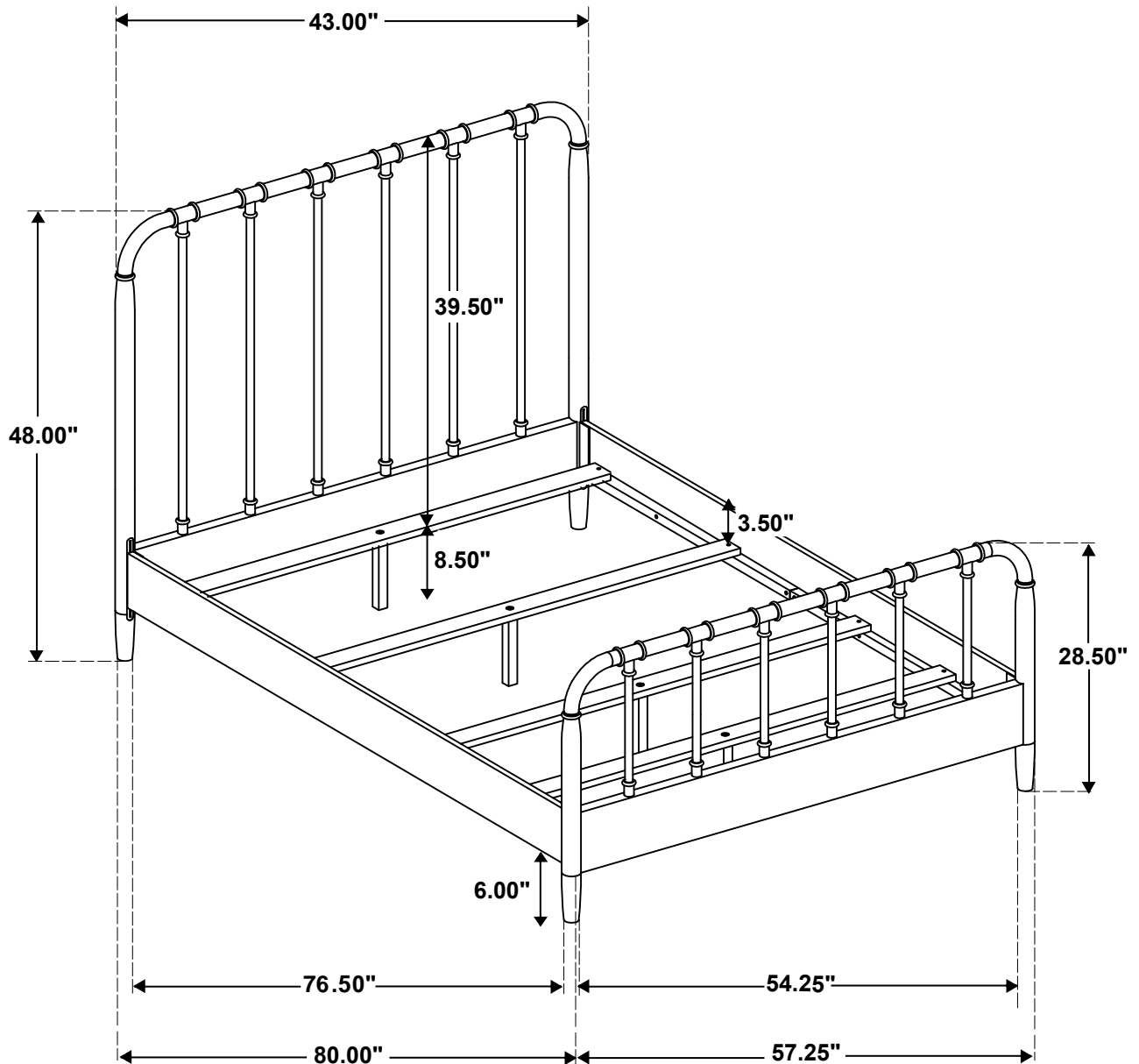
STEP 4
COMPLETE



ITEM: **310035F**



Inner Size: 55.00"W x 76.00"D



Note: Dimension tolerance $\pm 5\%$