

ASSEMBLY INSTRUCTIONS
COASTER FINE FURNITURE



Fine Furniture for every stage of life

223661T (B1&B2)
Twin Bed

ITEM: 223661T (B1&B2)



ASSEMBLY INSTRUCTIONS

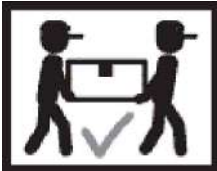
ASSEMBLY TIPS:

1. Remove hardware from box and sort by size.
2. Please check to see that all hardware and parts are present prior to start of assembly.
3. Please follow attached instructions in the same sequence as numbered to assure fast & easy assembly.



WARNING!

1. Don't attempt to repair or modify parts that are broken or defective. Please contact the store immediately.
2. This product is for home use only and not intended for commercial establishments



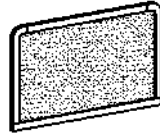
ASSEMBLY TIME

20 MINUTES

PARTS IDENTIFICATION

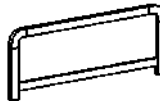
B1 (BOX 1)

A HEADBOARD PANEL



1PC

B FOOTBOARD



1PC

C HEADBOARD LEG



2PCS

D BED SLAT



4PCS

B2 (BOX 2)

E BED RAIL



2PCS

HARDWARE IDENTIFICATION

Z-B1(BOX 1) - HARDWARE PACK IS LOCATED IN 223661T (B1)

1 BOLT
(M6 x 50mm - BLK)



4PCS

2 WOOD DOWEL
(M10Ø x 40mm)



10PCS

3 THREADED BOLT
(M6 x 60mm - RBW)



8PCS

4 HEX NUT
(M6 - RBW)



8PCS

5 HALF ROUND NUT
(Ø7.5mm - RBW)



8PCS

6 U-SQUARE WASHER
(M8 x 16 x 25mm - RBW)



8PCS

7 FLAT HEAD SCREW
(M4 x 25mm - BLK)



8PCS

8 ALLEN WRENCH
(M4 x 100mm - BLK)



1PC

9 FLAT WASHER
(1/4" x 19 Ø - BLK)



4PCS

10 LOCK WASHER
(1/4" x 12 Ø - BLK)



4PCS

11 WRENCH
(M6 x 10mm - RBW)



1PC

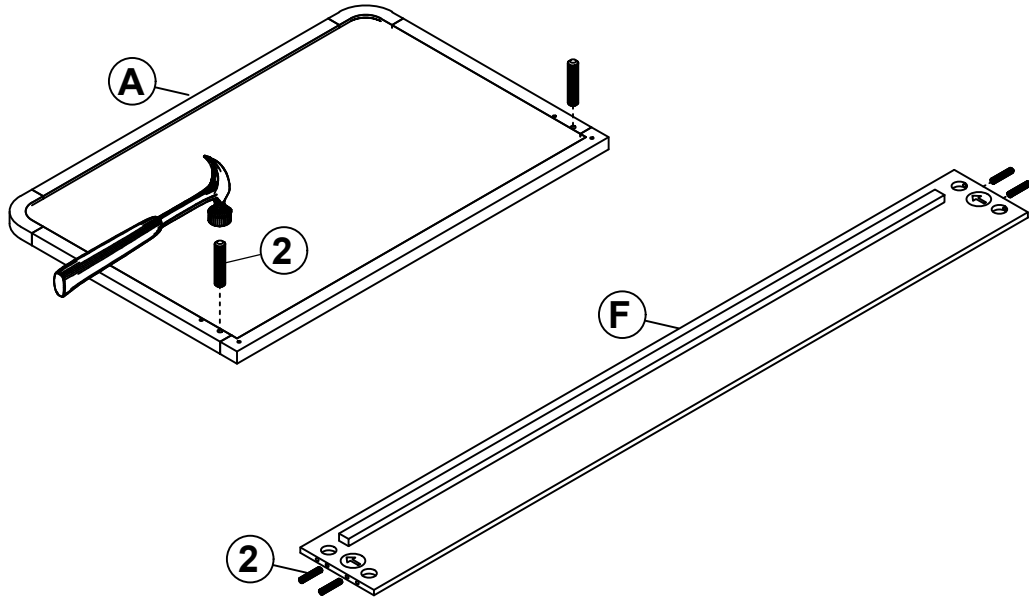
NOTE:

Phillips head screw driver is required in the assembly process; however, manufacturer does not provided this item.

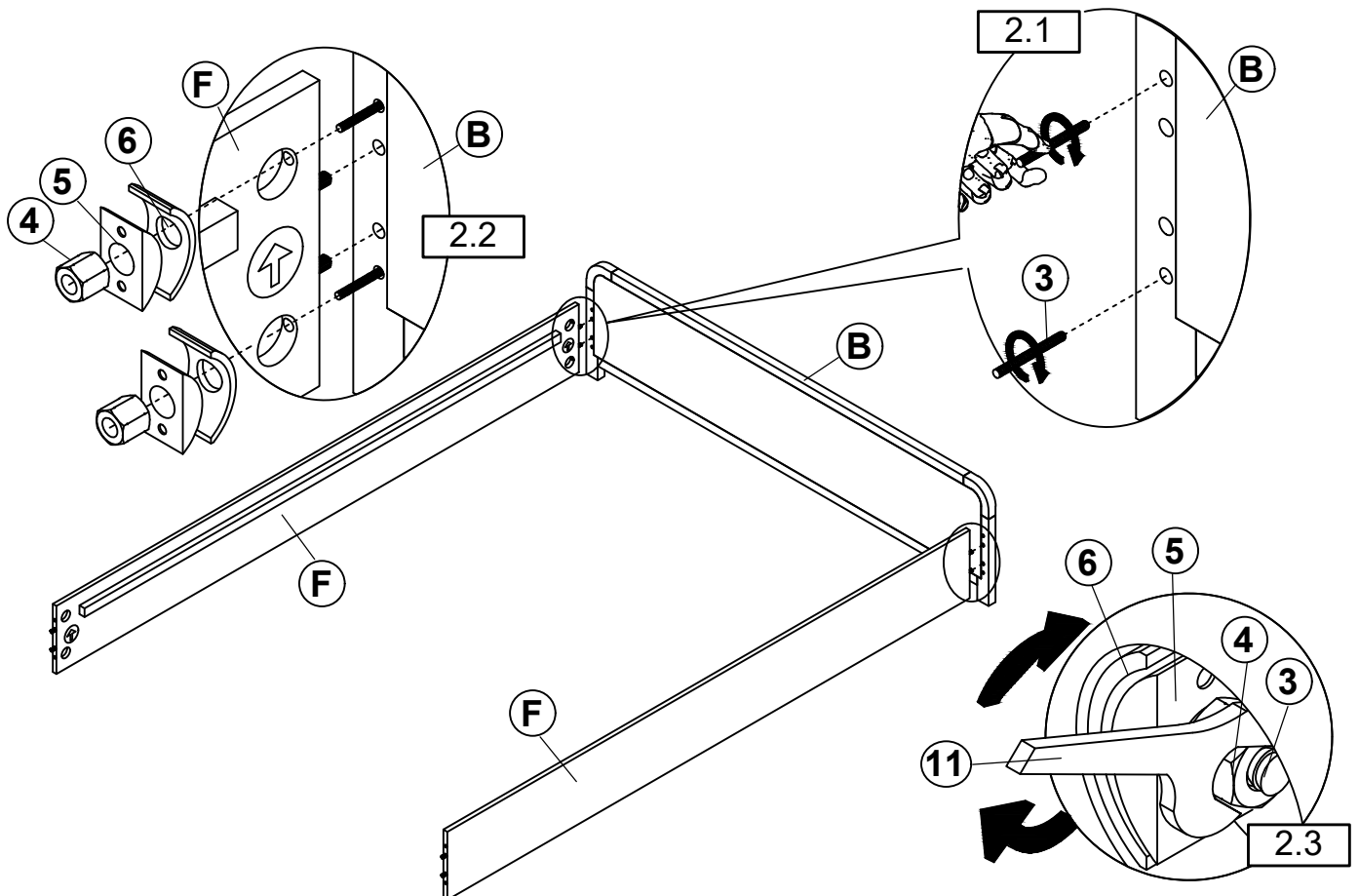
ITEM: 223661T (B1&B2)

ASSEMBLY INSTRUCTIONS

STEP 1



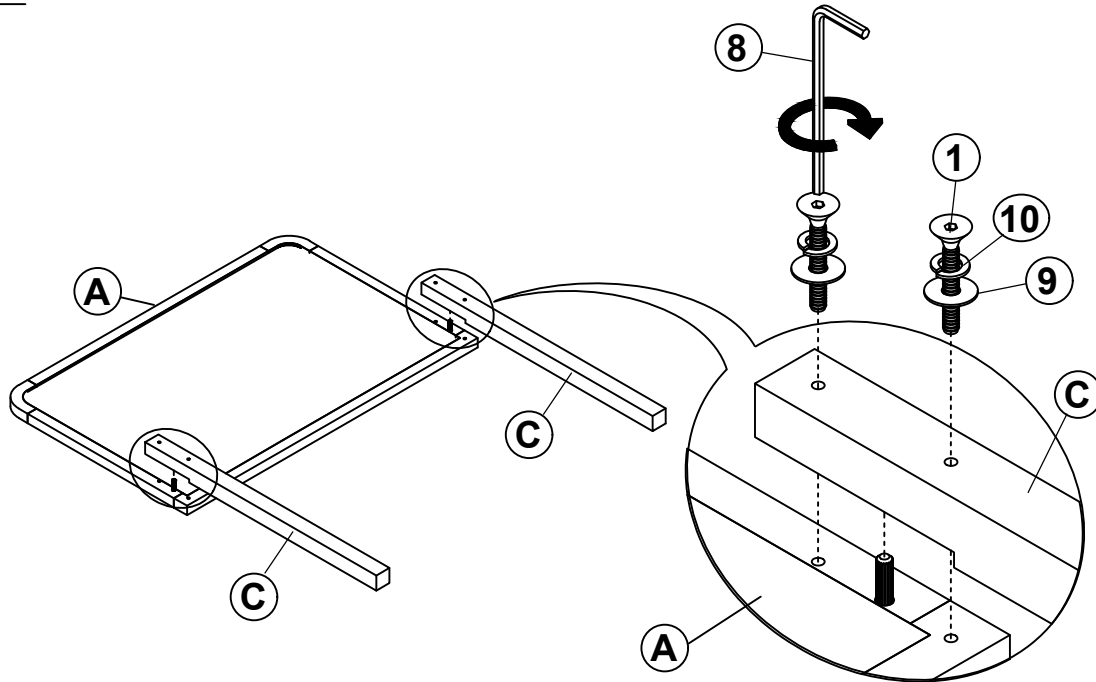
STEP 2



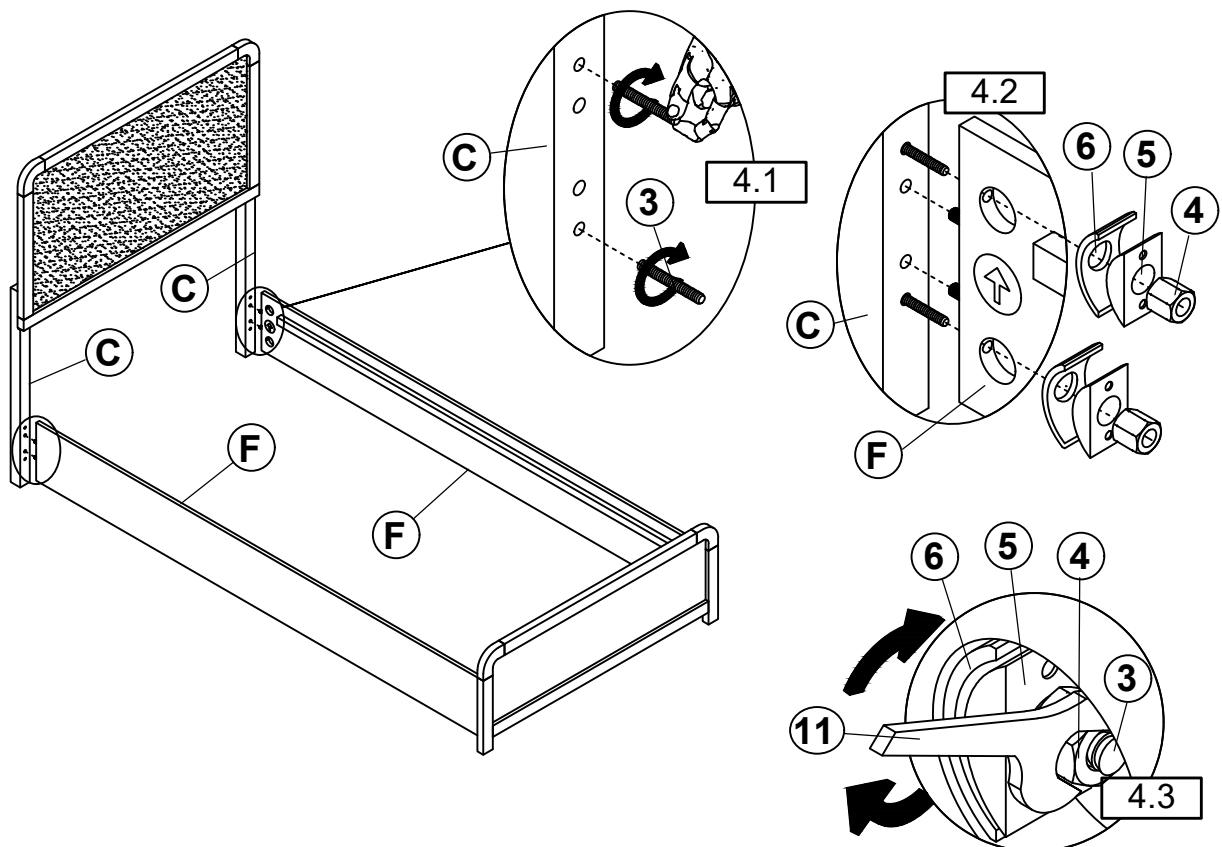
ITEM: 223661T (B1&B2)

ASSEMBLY INSTRUCTIONS

STEP 3



STEP 4

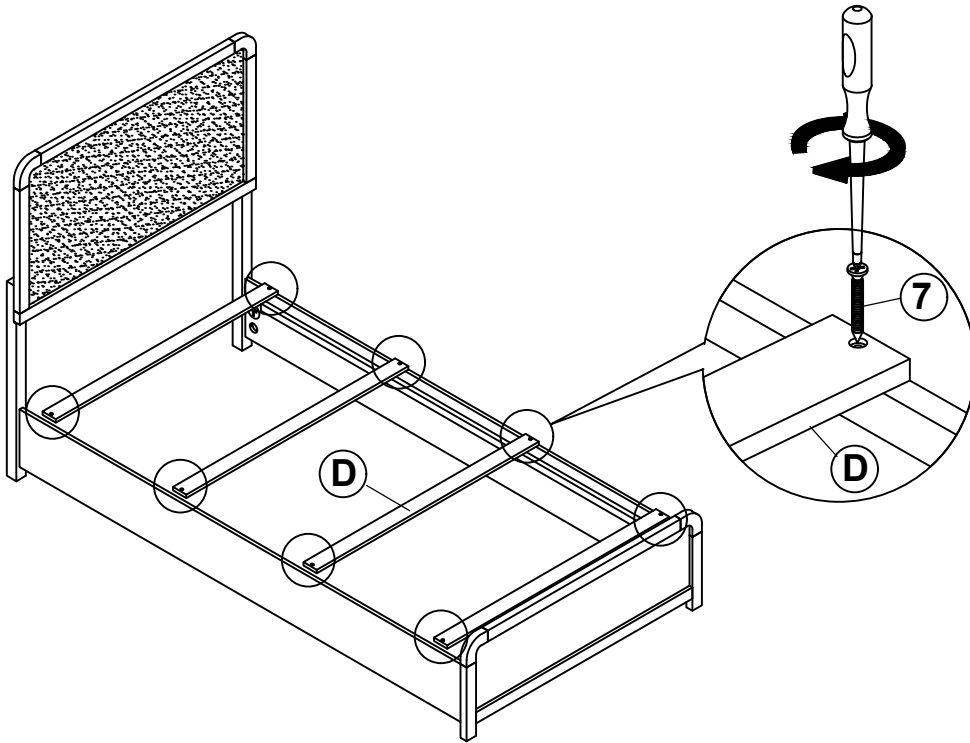


ITEM: **223661T (B1&B2)**

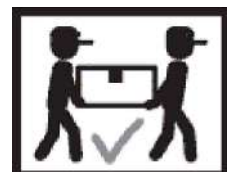
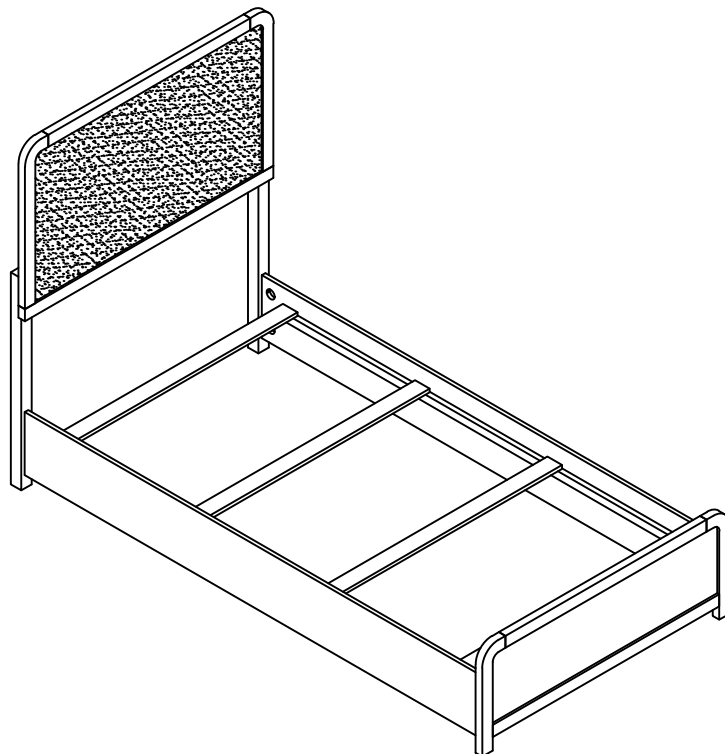


ASSEMBLY INSTRUCTIONS

STEP 5



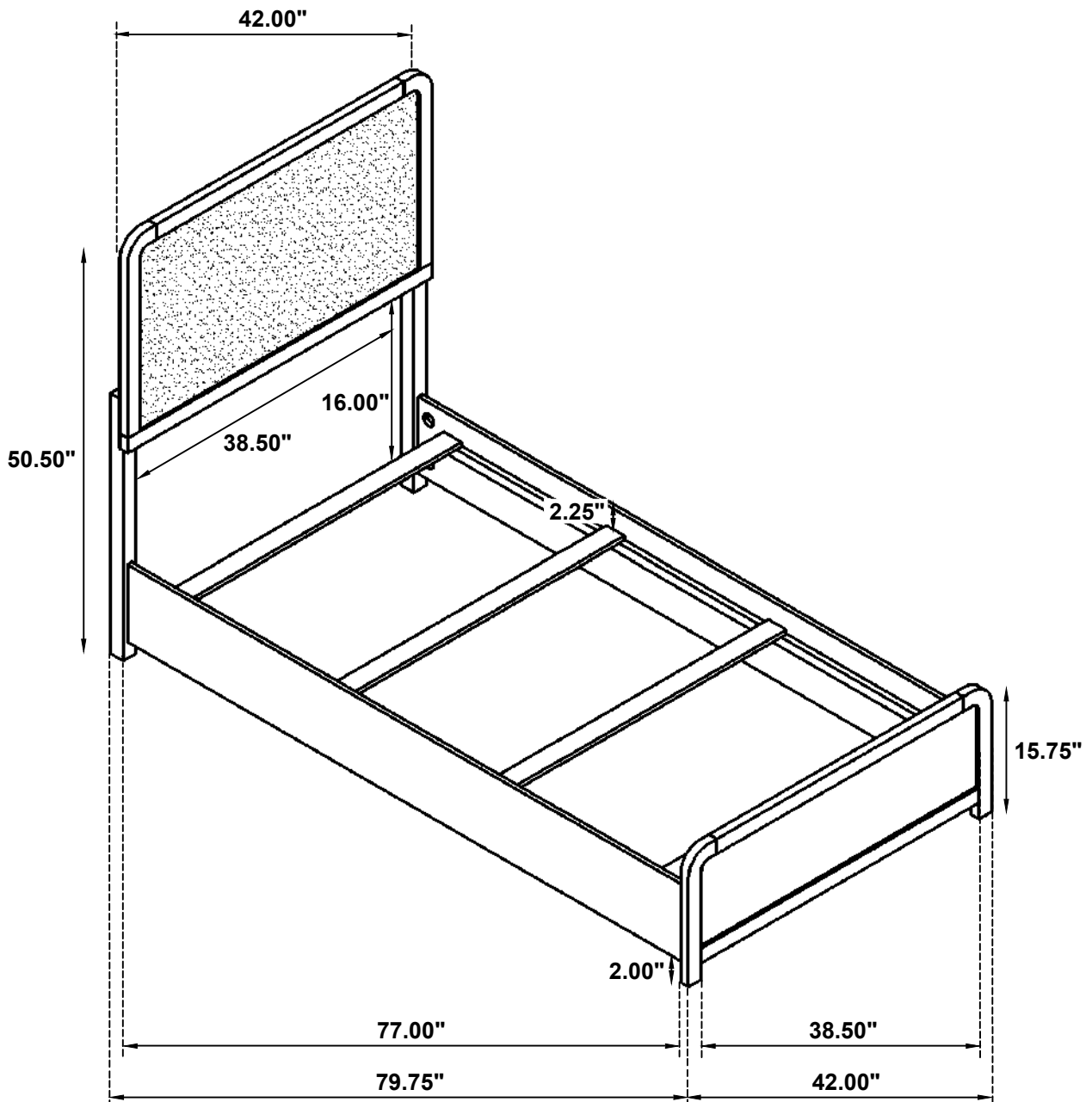
STEP 6
COMPLETE



ITEM: 223661T (B1&B2)



Inner Size: 39.50"W X 77.00"D



Note : Dimension tolerance $\pm 5\%$