

ASSEMBLY INSTRUCTIONS
COASTER FINE FURNITURE



Fine Furniture for every stage of life

500350(B1-B3)
Sectional

ITEM: 500350(B1-B3)

ASSEMBLY INSTRUCTIONS



ASSEMBLY TIPS:

1. Remove hardware from box and sort by size.
2. Please check to see that all hardware and parts are present prior to start of assembly.
3. Please follow attached instructions in the same sequence as numbered to assure fast & easy assembly.



WARNING!

1. Don't attempt to repair or modify parts that are broken or defective. Please contact the store immediately.
2. This product is for home use only and not intended for commercial establishments.



ASSEMBLY TIME

15 MINUTES

PARTS IDENTIFICATION

B1 (BOX 1)

A LAF CHAISE SEAT		1PC	D BACKREST CUSHION		1PC
B LAF CHAISE BACKREST		1PC	E PILLOW		2PCS
C HEADREST		1PC	F LEG		4PCS

B2 (BOX 2)

G SOFA SEAT		1PC	D BACKREST CUSHION		2PCS
H SOFA BACKREST		2PCS	E PILLOW		2PCS
C HEADREST		2PCS	F LEG		4PCS

ITEM: 500350(B1-B3)

ASSEMBLY INSTRUCTIONS



ASSEMBLY TIPS:

1. Remove hardware from box and sort by size.
2. Please check to see that all hardware and parts are present prior to start of assembly.
3. Please follow attached instructions in the same sequence as numbered to assure fast & easy assembly.



WARNING!

1. Don't attempt to repair or modify parts that are broken or defective. Please contact the store immediately.
2. This product is for home use only and not intended for commercial establishments.

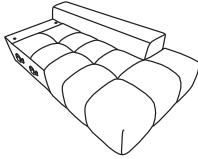
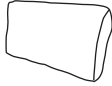
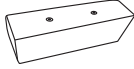

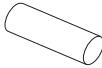
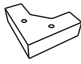


ASSEMBLY TIME

15 MINUTES








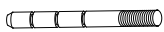
PARTS IDENTIFICATION

B3 (BOX 3)

I	RAF CHAISE SEAT		1PC	D	BACKREST CUSHION		1PC
J	RAF CHAISE BACKREST		1 PC	E	PILLOW		2PCS
C	HEADREST		1PC	F	LEG		4PCS

HARDWARE IDENTIFICATION

Z-B1 (BOX 1) - HARDWARE PACK IS LOCATED IN 500350(B1)

1	BOLT (5/16" X 70mm - RBW)		8PCS	5	THREADED BOLT (5/16" X 90mm - RBW)		2PCS
2	LOCK WASHER (5/16" X 12mm - RBW)		10PCS	6	ALLEN WRENCH (4 x 64mm - RBW)		1PC
3	FLAT WASHER (5/16" X 16mm - RBW)		10PCS	7	WRENCH (5/16" x 90mm - RBW)		1PC
4	HEX NUT (5/16" - RBW)		2PCS	8	HEADREST CONNECTOR (9 x 190mm - RBW)		2PCS

ITEM: 500350(B1-B3)

ASSEMBLY INSTRUCTIONS



ASSEMBLY TIPS:

1. Remove hardware from box and sort by size.
2. Please check to see that all hardware and parts are present prior to start of assembly.
3. Please follow attached instructions in the same sequence as numbered to assure fast & easy assembly.











WARNING!









1. Don't attempt to repair or modify parts that are broken or defective. Please contact the store immediately.
2. This product is for home use only and not intended for commercial establishments.

HARDWARE IDENTIFICATION

Z-B2 (BOX 2) - HARDWARE PACK IS LOCATED IN 500350(B2)

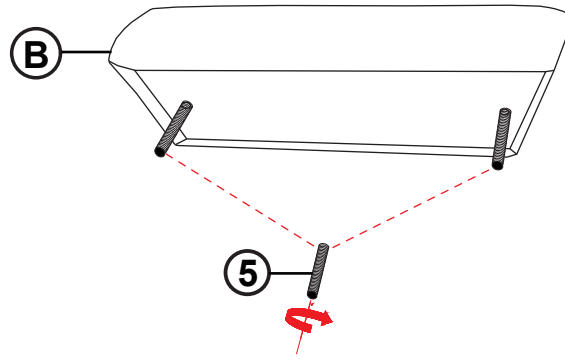
1	BOLT (5/16" X 70mm - RBW)		8PCS	5	THREADED BOLT (5/16" X 90mm - RBW)		4PCS
2	LOCK WASHER (5/16" X 12mm - RBW)		12PCS	6	ALLEN WRENCH (4 x 64mm - RBW)		1PC
3	FLAT WASHER (5/16" X 16mm - RBW)		12PCS	7	WRENCH (5/16" x 90mm - RBW)		1PC
4	HEX NUT (5/16" - RBW)		4PCS	8	HEADREST CONNECTOR (9 x 190mm - RBW)		4PCS

Z-B3 (BOX 3) - HARDWARE PACK IS LOCATED IN 500350(B3)

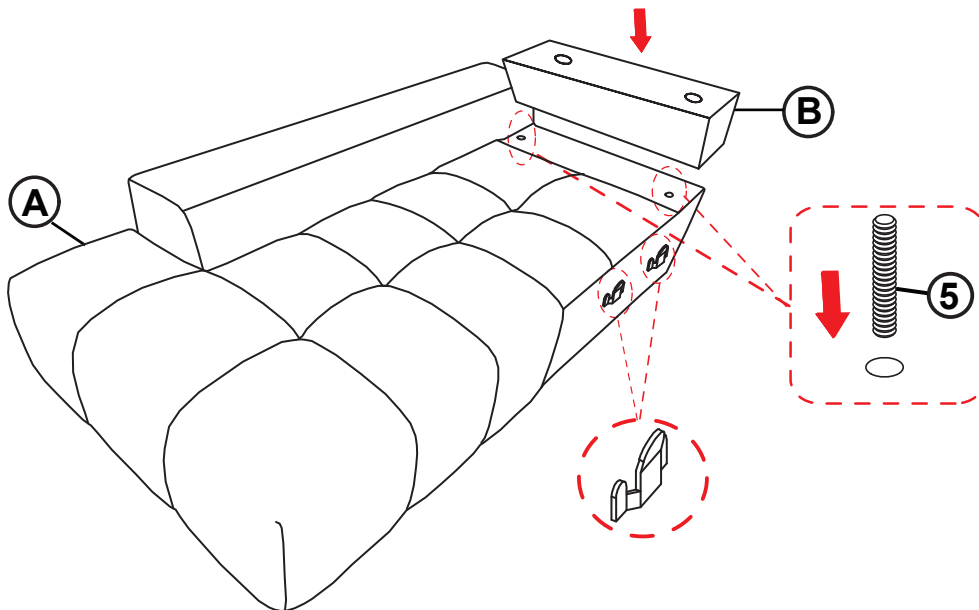
1	BOLT (5/16" X 70mm - RBW)		8PCS	5	THREADED BOLT (5/16" X 90mm - RBW)		2PCS
2	LOCK WASHER (5/16" X 12mm - RBW)		10PCS	6	ALLEN WRENCH (4 x 64mm - RBW)		1PC
3	FLAT WASHER (5/16" X 16mm - RBW)		10PCS	7	WRENCH (5/16" x 90mm - RBW)		1PC
4	HEX NUT (5/16" - RBW)		2PCS	8	HEADREST CONNECTOR (9 x 190mm - RBW)		2PCS

ITEM: **500350(B1-B3)**
ASSEMBLY INSTRUCTIONS

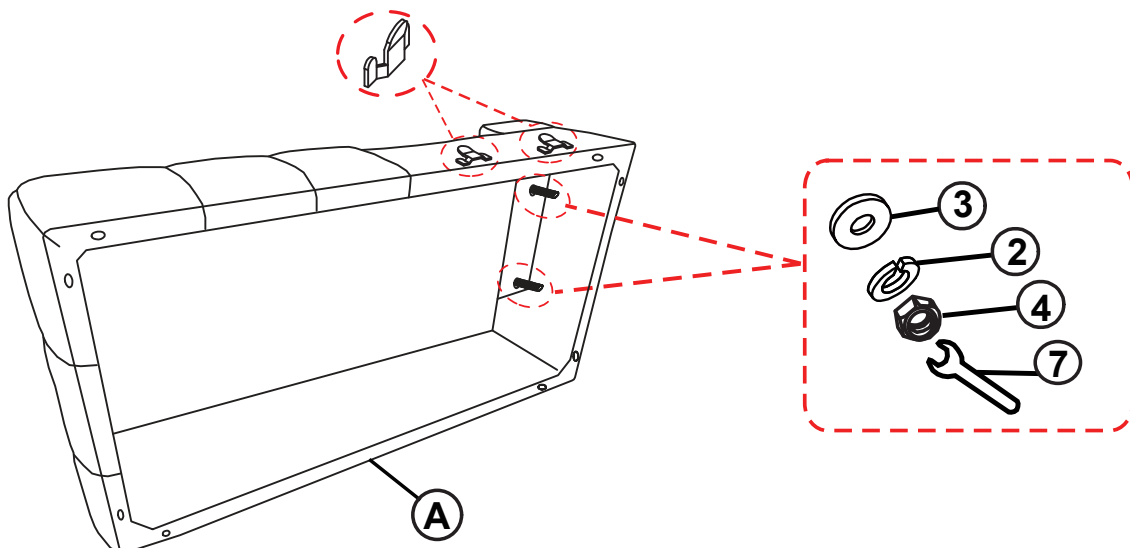
STEP 1



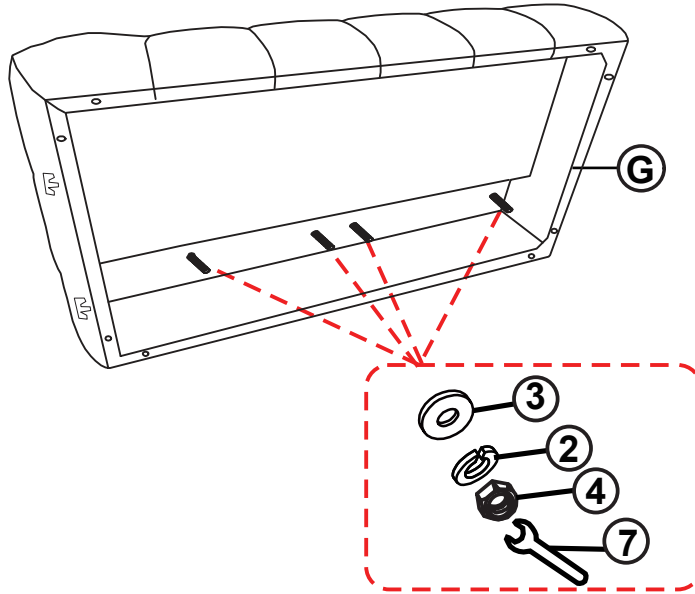
STEP 2



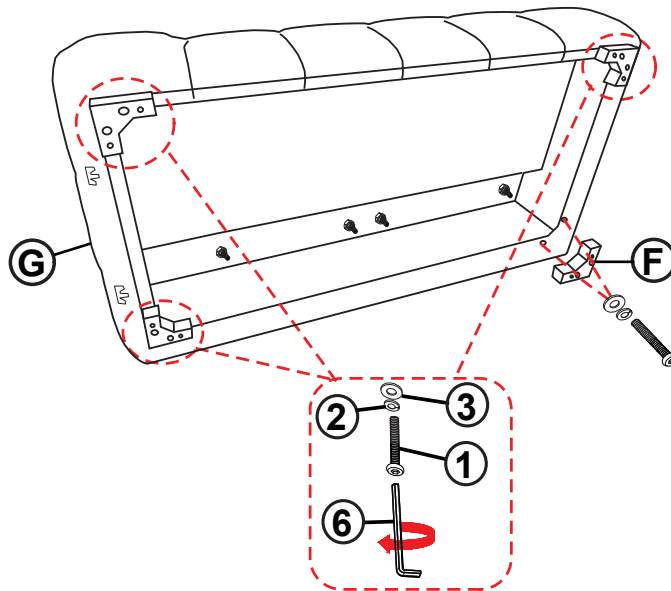
STEP 3



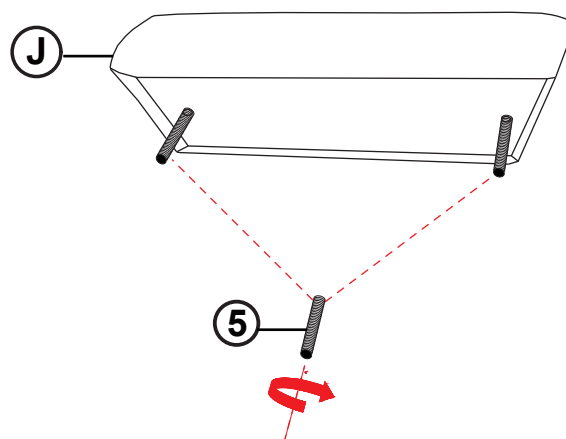
ITEM: **500350(B1-B3)**
ASSEMBLY INSTRUCTIONS
STEP 7



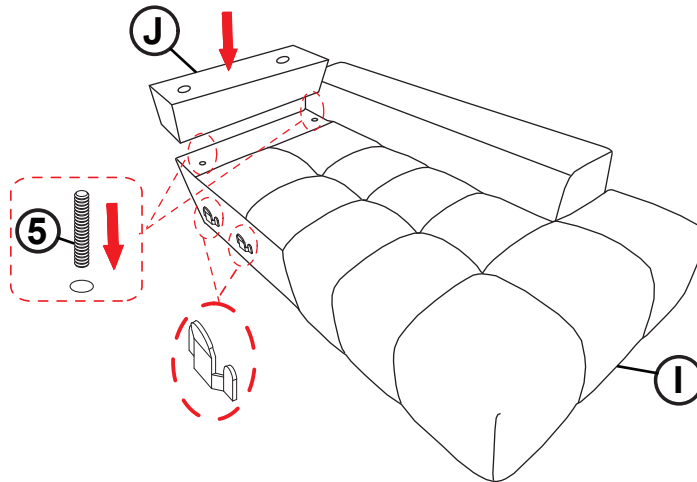
STEP 8



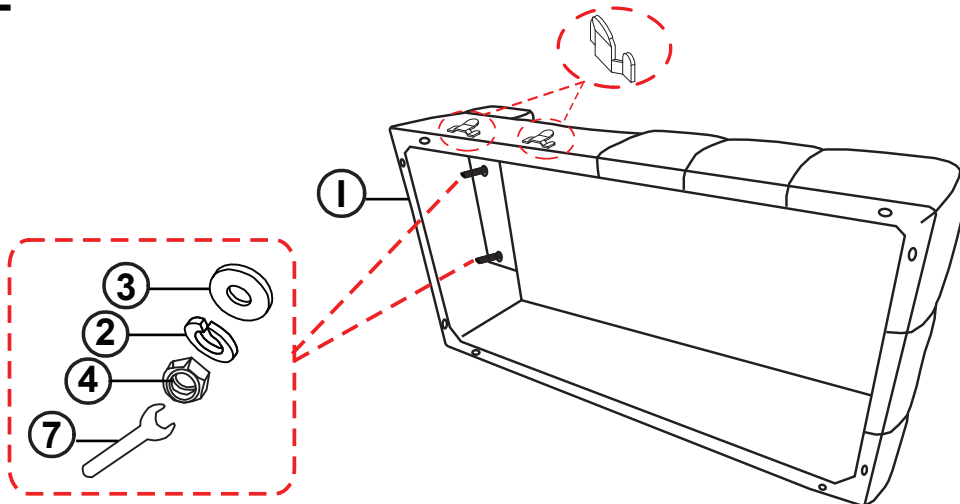
STEP 9



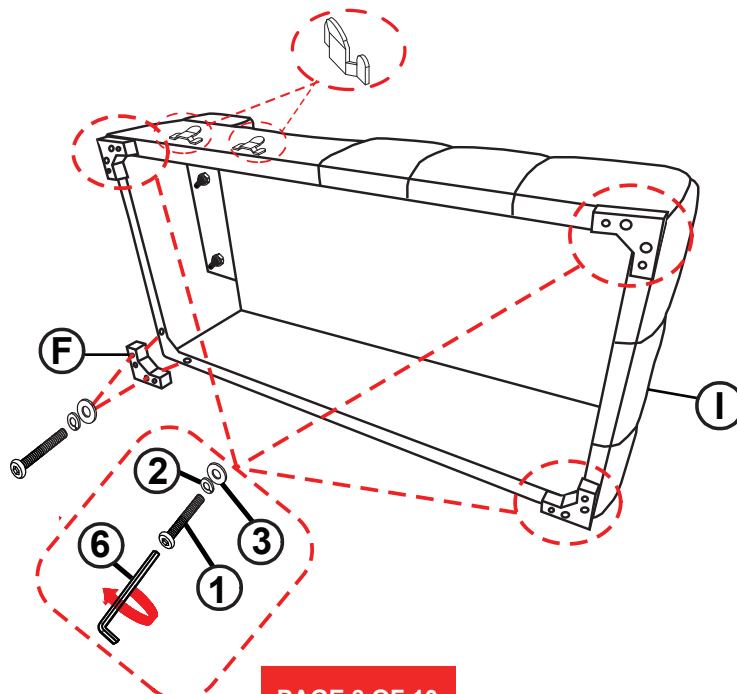
ITEM: **500350(B1-B3)**
ASSEMBLY INSTRUCTIONS
STEP 10



STEP 11



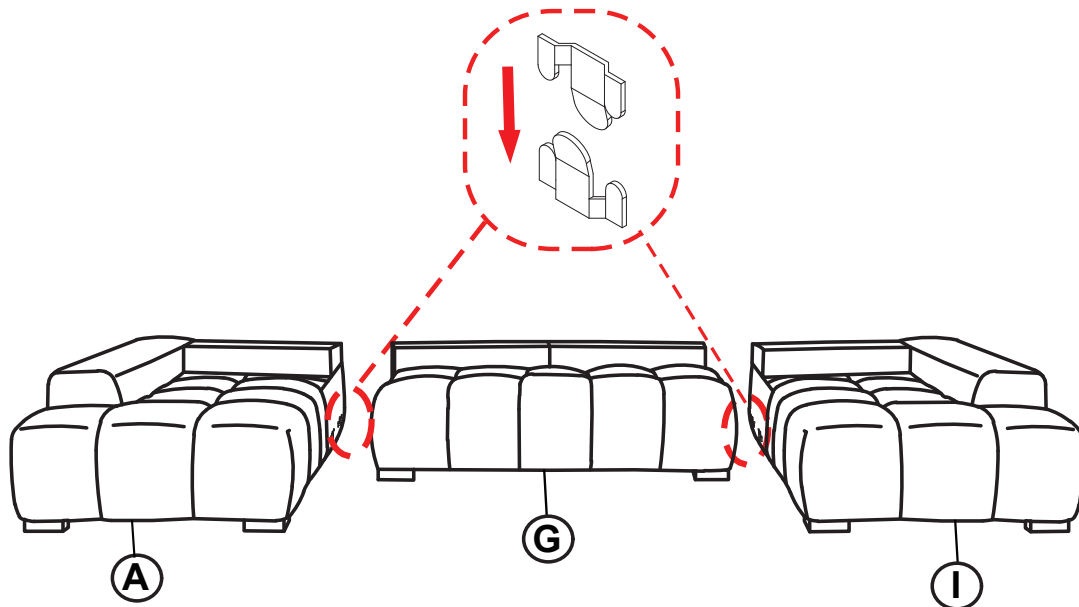
STEP 12



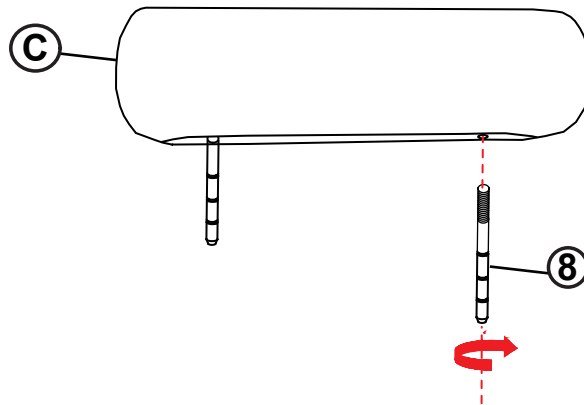
ITEM: 500350(B1-B3)

ASSEMBLY INSTRUCTIONS

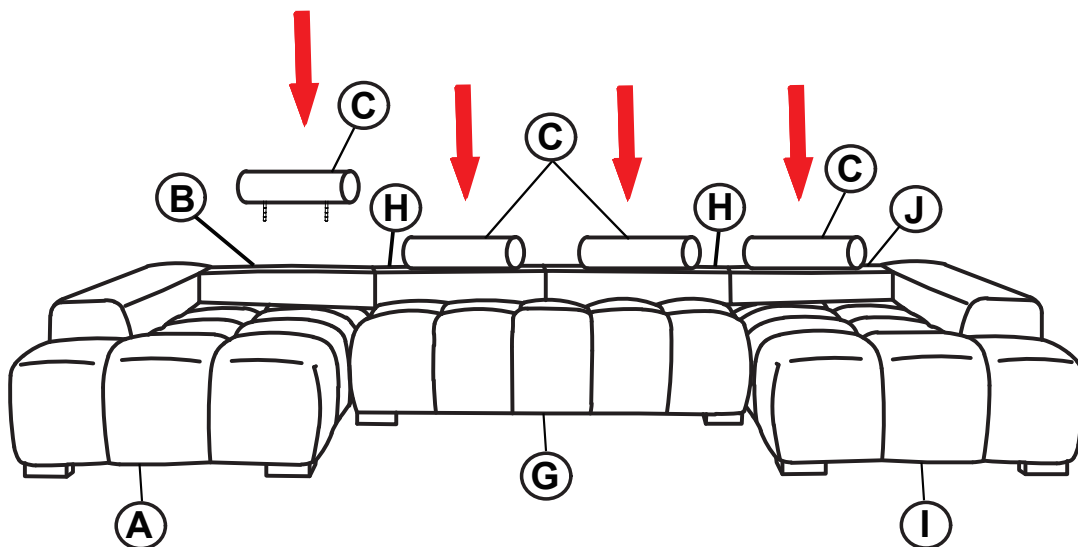
STEP 13



STEP 14



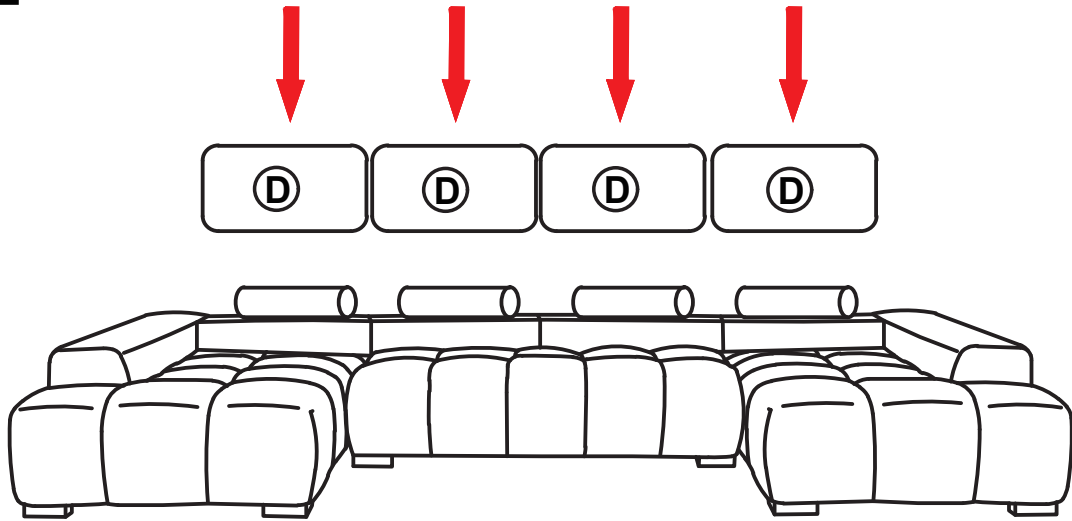
STEP 15



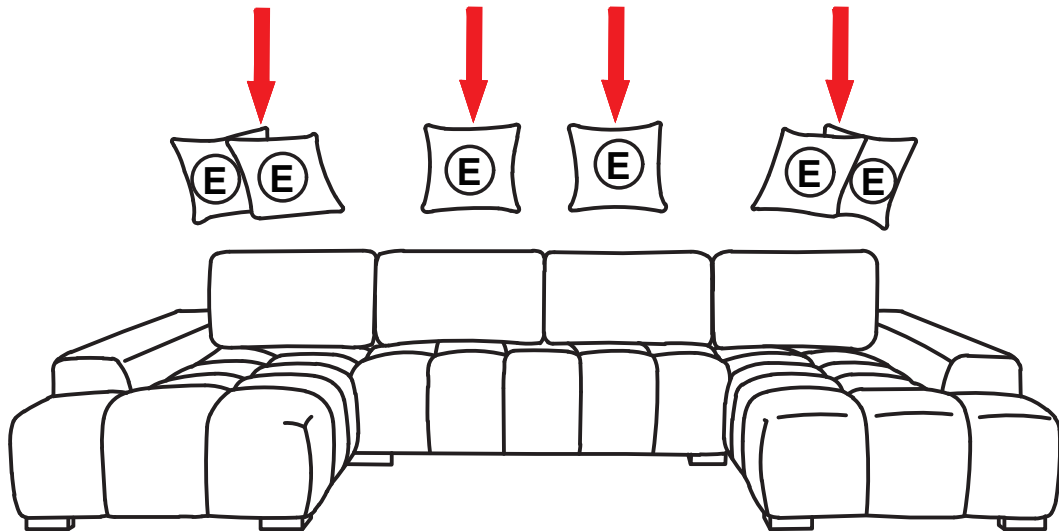
ITEM: 500350(B1-B3)

ASSEMBLY INSTRUCTIONS

STEP 16

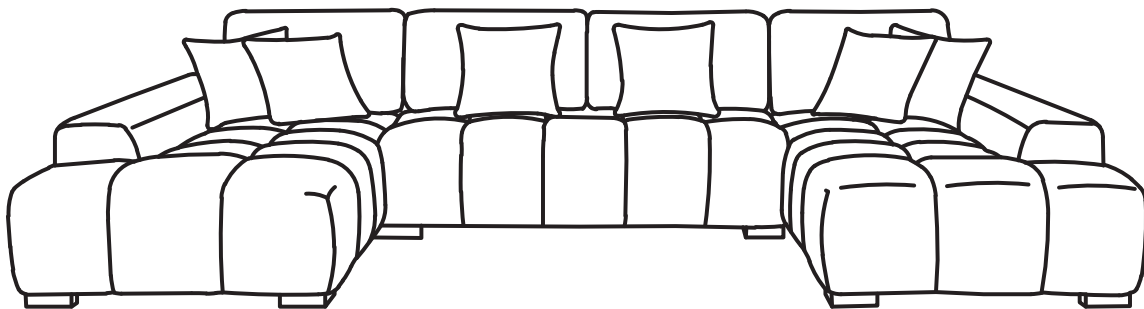


STEP 17

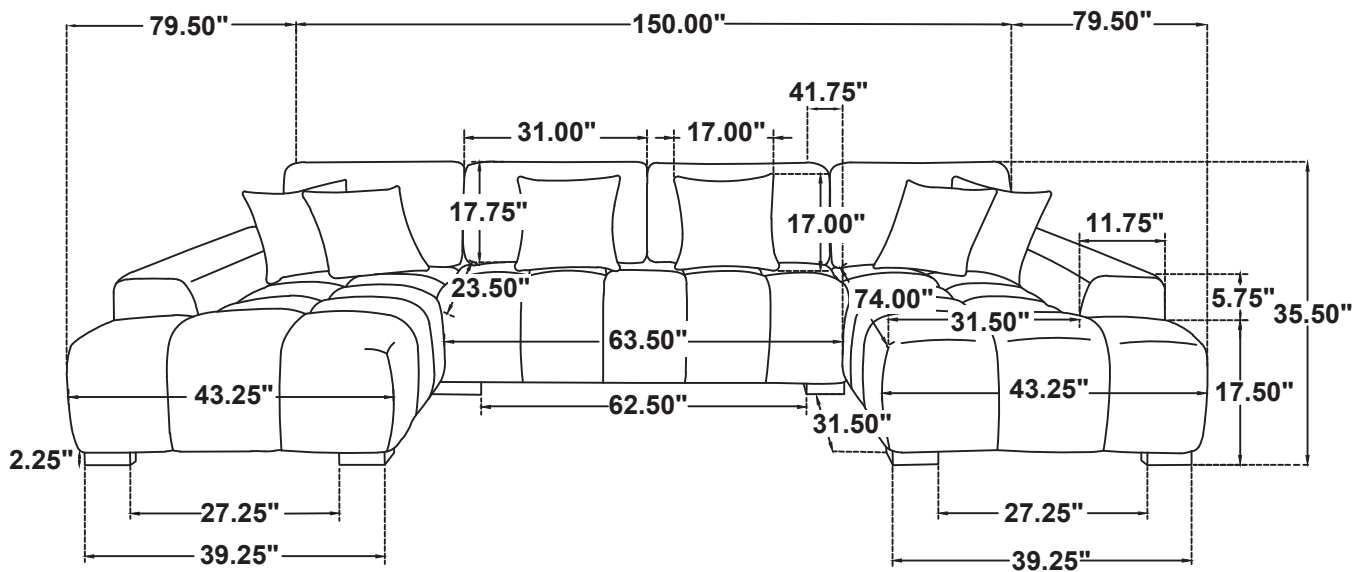


STEP 18

COMPLETE



ITEM: 500350(B1-B3)



Note: Dimension tolerance $\pm 5\%$