

*ASSEMBLY INSTRUCTIONS*  
*COASTER FINE FURNITURE*



*Fine Furniture for every stage of life*

910223  
SHOE BENCH

ITEM:910223



# ASSEMBLY INSTRUCTIONS

## ASSEMBLY TIPS:

1. Remove hardware from box and sort by size.
2. Please check to see that all hardware and parts are present prior to start of assembly.
3. Please follow attached instructions in the same sequence as numbered to assure fast & easy assembly.



## WARNING!

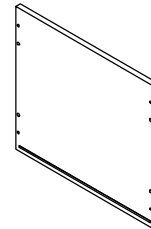
1. Don't attempt to repair or modify parts that are broken or defective. Please contact the store immediately.
2. This product is for home use only and not intended for commercial establishments.

ASSEMBLY TIME 60 MINUTES

## PARTS IDENTIFICATION

A

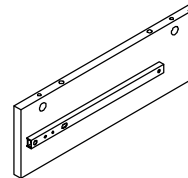
TOP PANEL



1PC

B

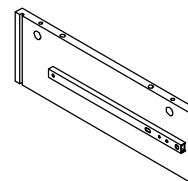
LEFT PANEL



1PC

C

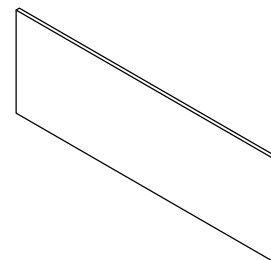
RIGHT PANEL



1PC

D

BACK PANEL



1PC

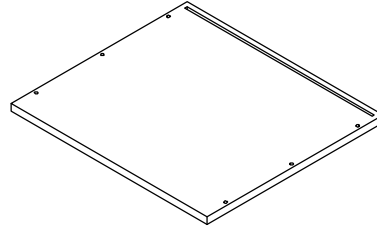
ITEM:910223

# ASSEMBLY INSTRUCTIONS

## PARTS IDENTIFICATION

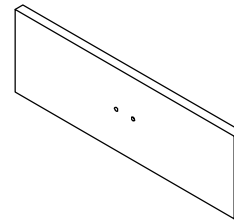


E BOTTOM PANEL



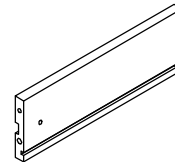
1PC

F DRAWER FRONT PANEL



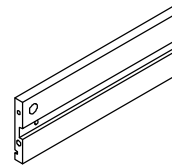
1PC

G DRAWER LEFT PANEL



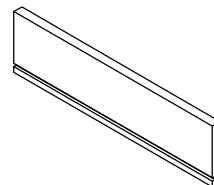
1PC

H DRAWER RIGHT PANEL



1PC

I DRAWER BACK PANEL



1PC

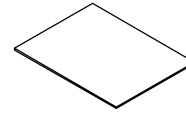
ITEM:910223

# ASSEMBLY INSTRUCTIONS

## PARTS IDENTIFICATION

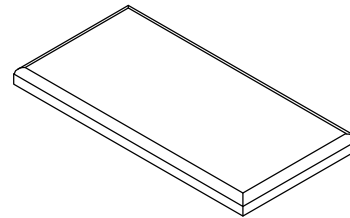


J DRAWER BOTTOM PANEL



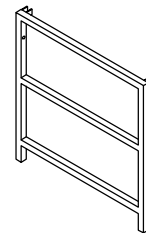
1PC

K CUSHION



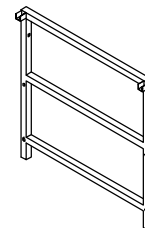
1PC

L FRONT FRAME



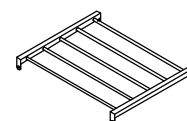
1PC

M BACK FRAME



1PC

N SHORT SHELF FRAME



2PCS

ITEM:910223

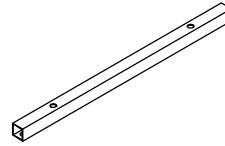
# ASSEMBLY INSTRUCTIONS

## PARTS IDENTIFICATION



O

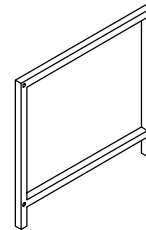
SHORT CROSSBAR



2PCS

P

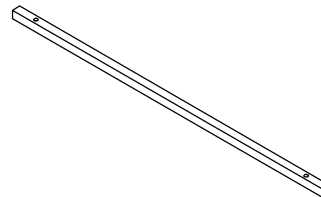
LEFT FRAME



1PC

Q

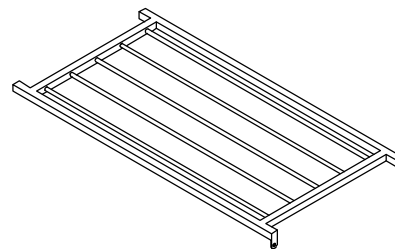
LONG CROSSBAR



2PCS

R

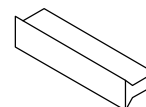
LONG SHELF FRAME



1PC

S

HANDLE



1PC

ITEM:910223

# ASSEMBLY INSTRUCTIONS




Z

## HARDWARE IDENTIFICATION

1 CAM BOLT  
(38MM)  6PCS

2 CAM-LOCK  
(Ø15MM)  6PCS

3 WOOD DOWEL  
(8 x 30mm)  6PCS

4 LONG SCREW  
(8 x 25mm)  10PCS

5 SMALL BOLT  
(5/32" x12mm)  2PCS


6 SMALL LONG BOLT  
(5/32" x22mm)  2PCS

7 CAP  
(18 x 18mm)  6PCS

8 SMALL BOLT  
(1/4" x12mm)  14PCS

9 SMALL BOLT  
(1/4" x28mm)  8PCS

10 GLUE  1PC

11 ALLEN WRENCH  
(4mm)  1PC

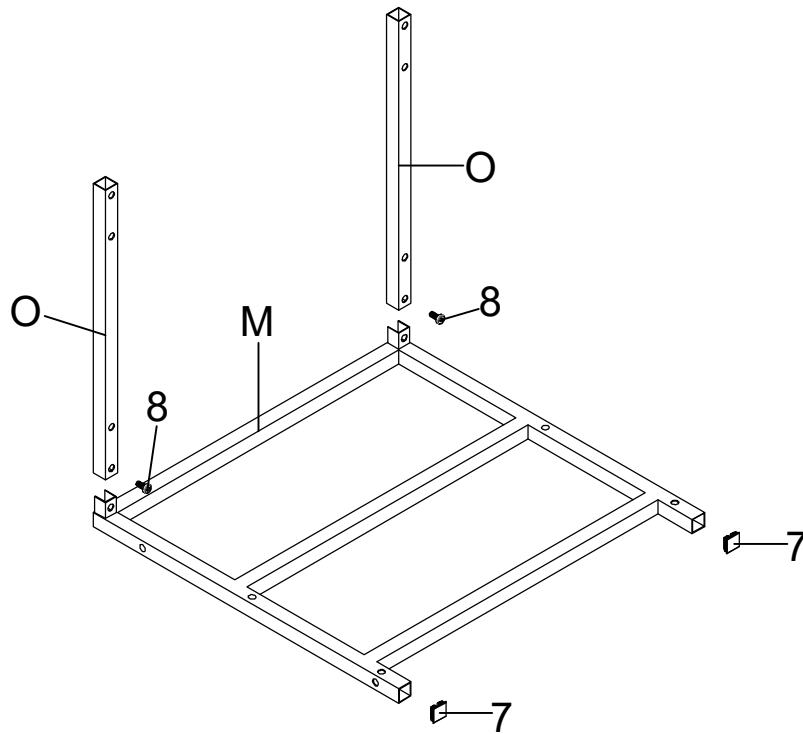
12 LONG BOLT  
(1/4" x47mm)  6PCS

ITEM:910223

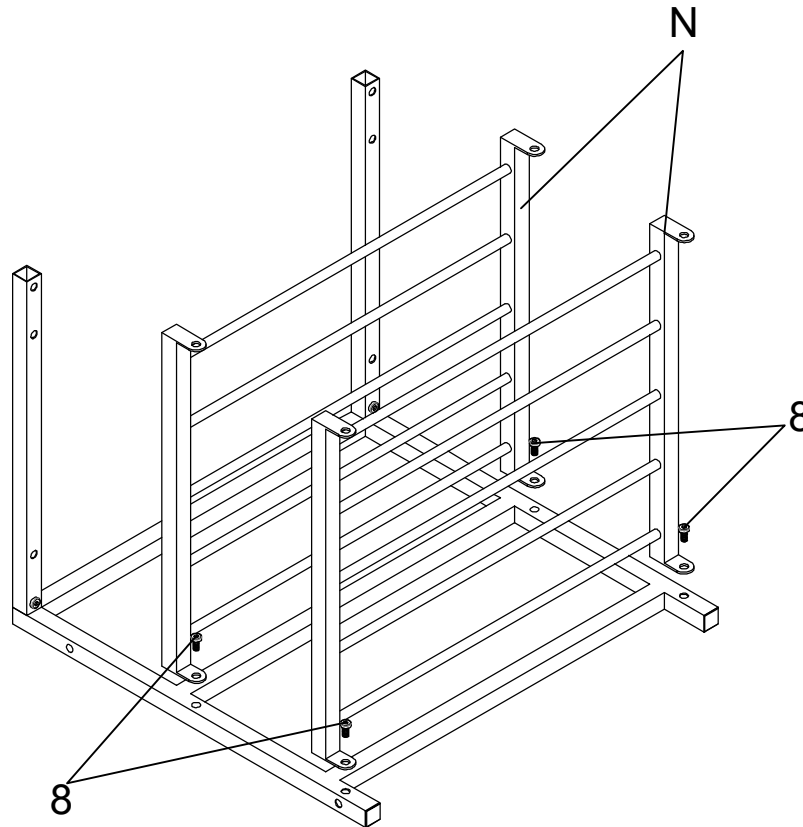


# ASSEMBLY INSTRUCTIONS

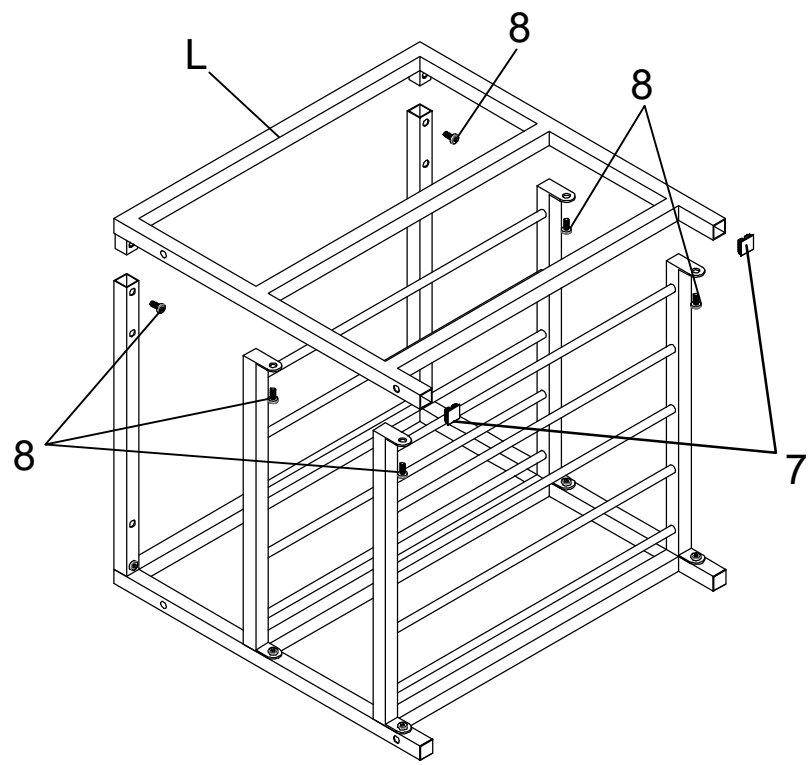
**STEP 1** Do not tighten until each step is completed or instructed.



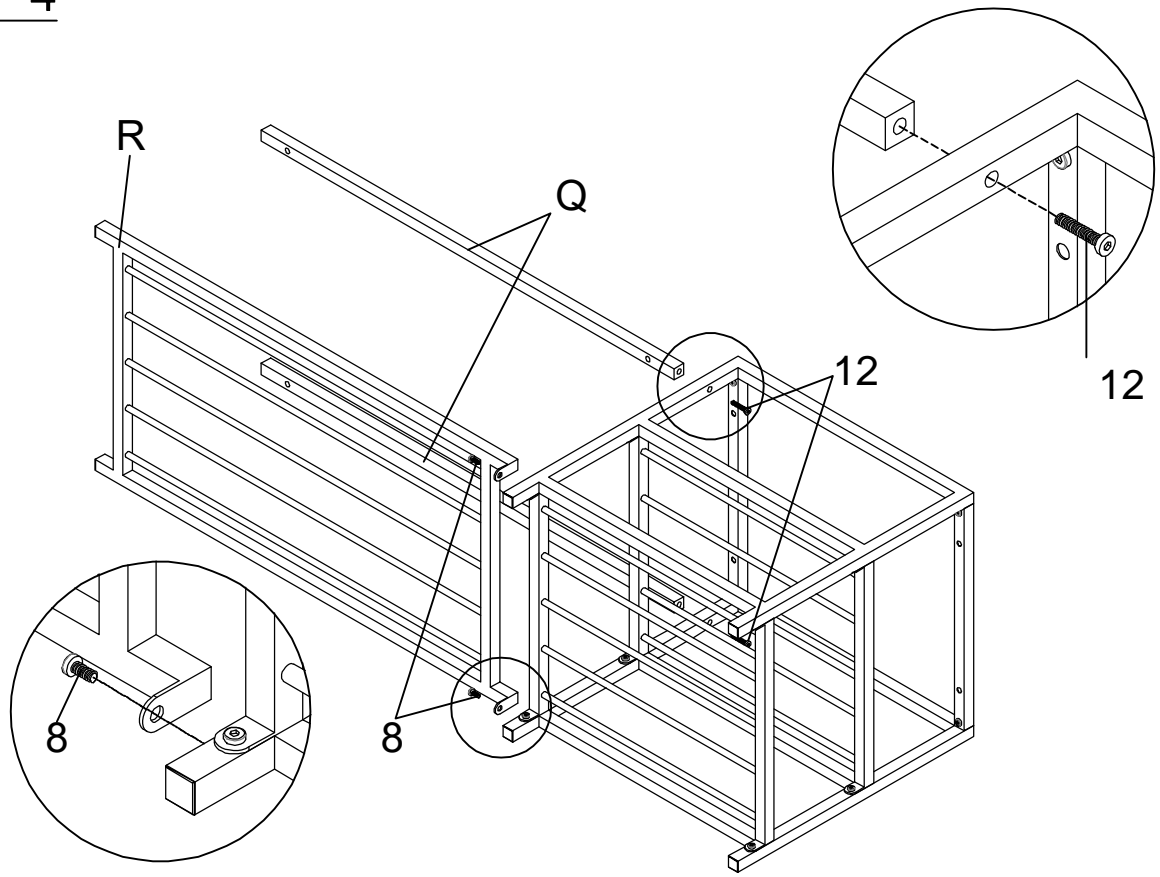
## STEP 2



ITEM:910223  
ASSEMBLY INSTRUCTIONS  
STEP 3



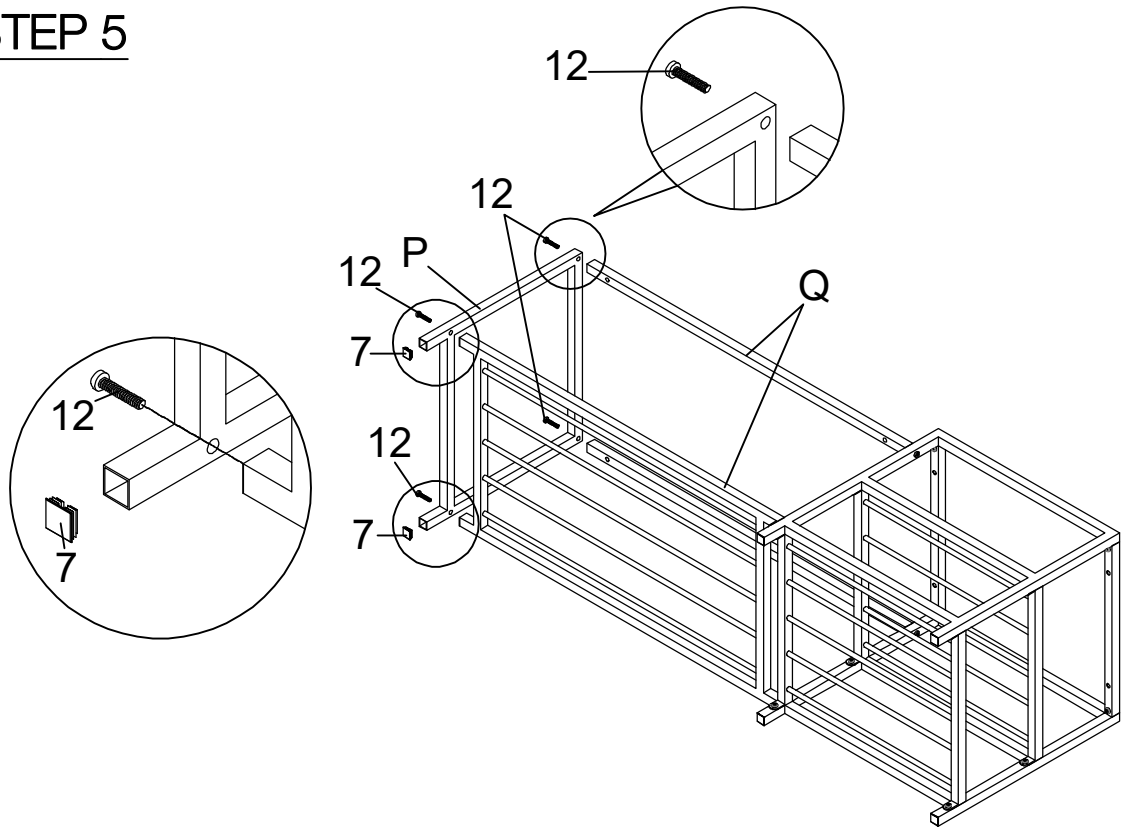
STEP 4



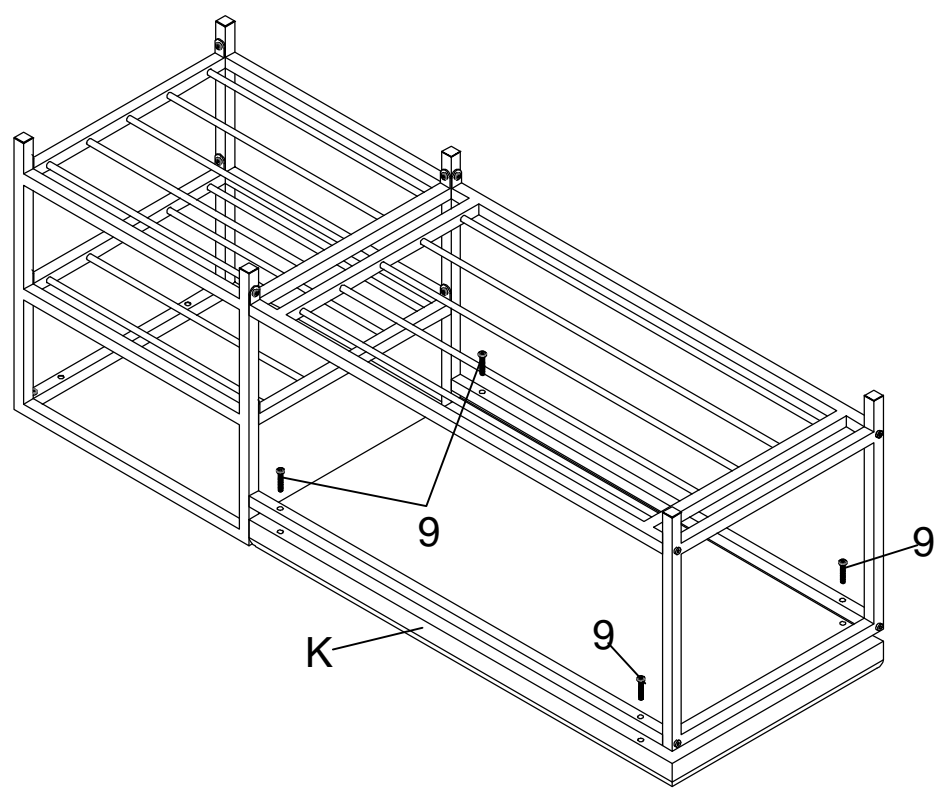
ITEM:910223  
ASSEMBLY INSTRUCTIONS



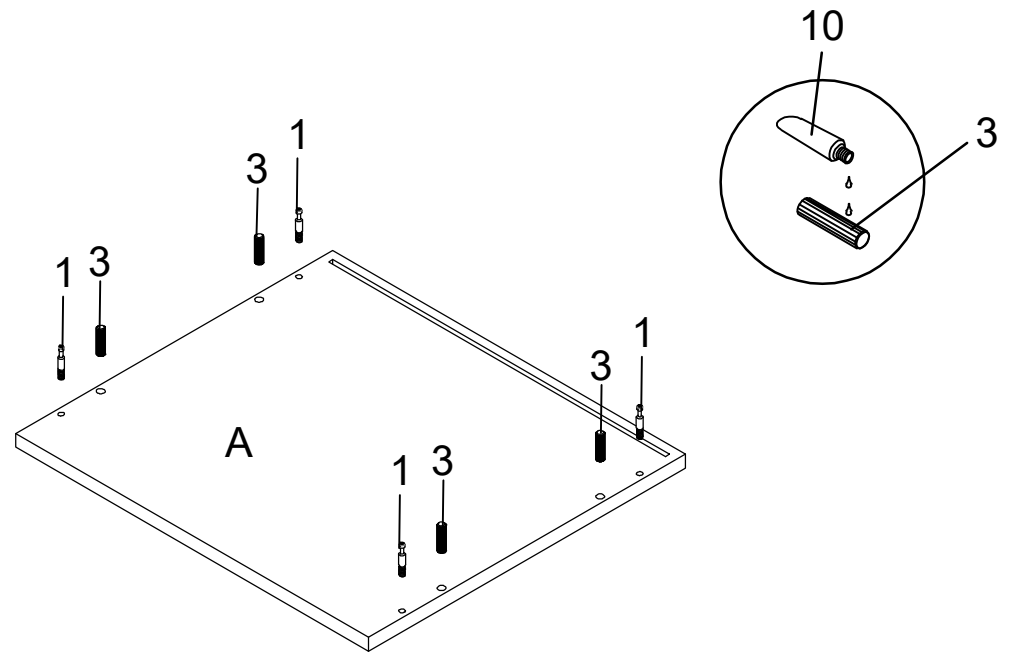
STEP 5



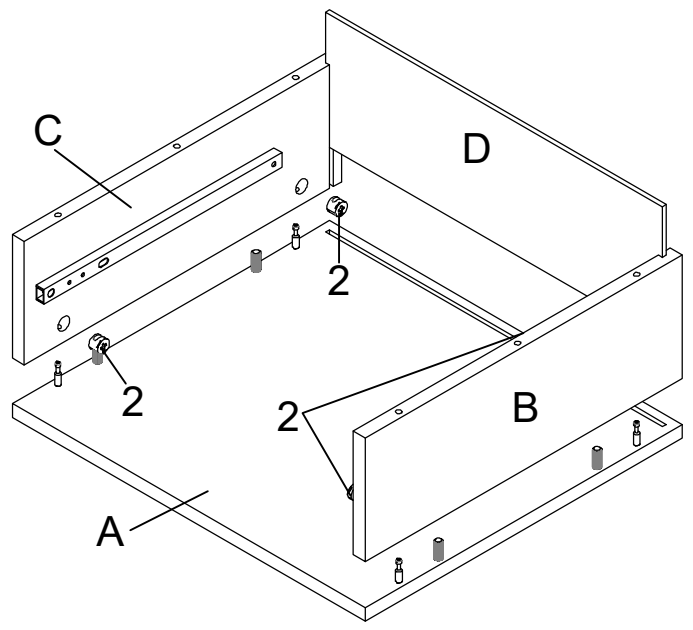
STEP 6



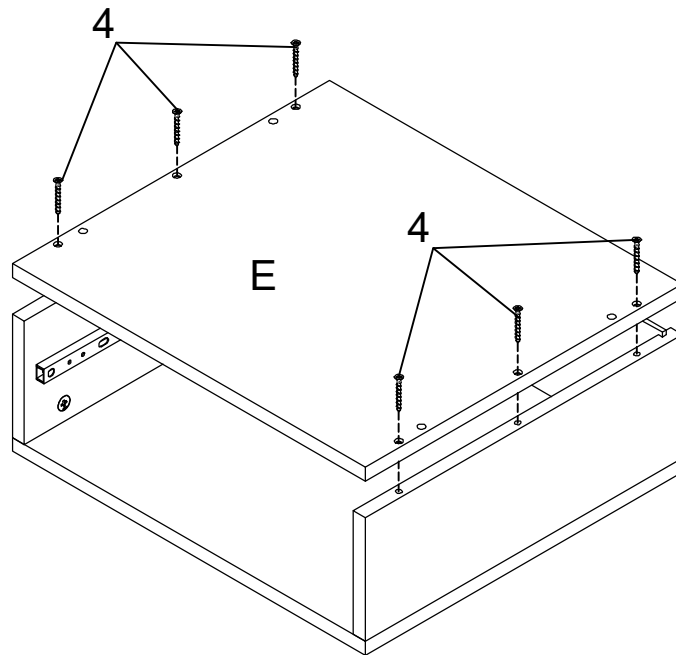
ITEM:910223  
ASSEMBLY INSTRUCTIONS  
STEP 7



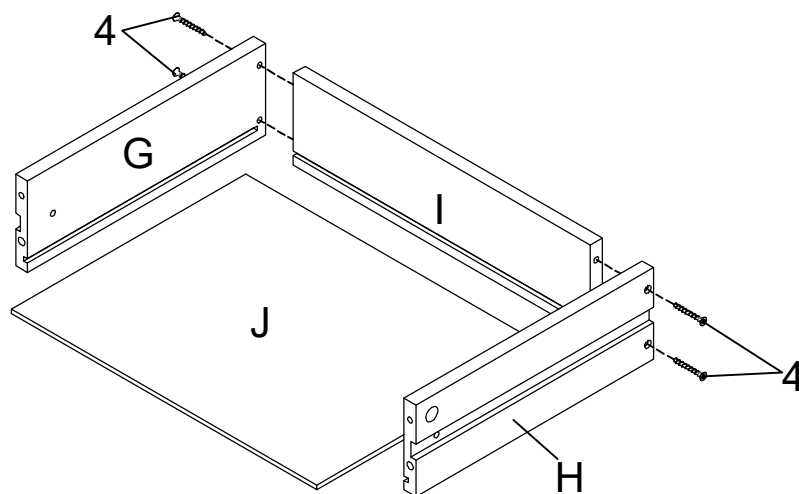
STEP 8



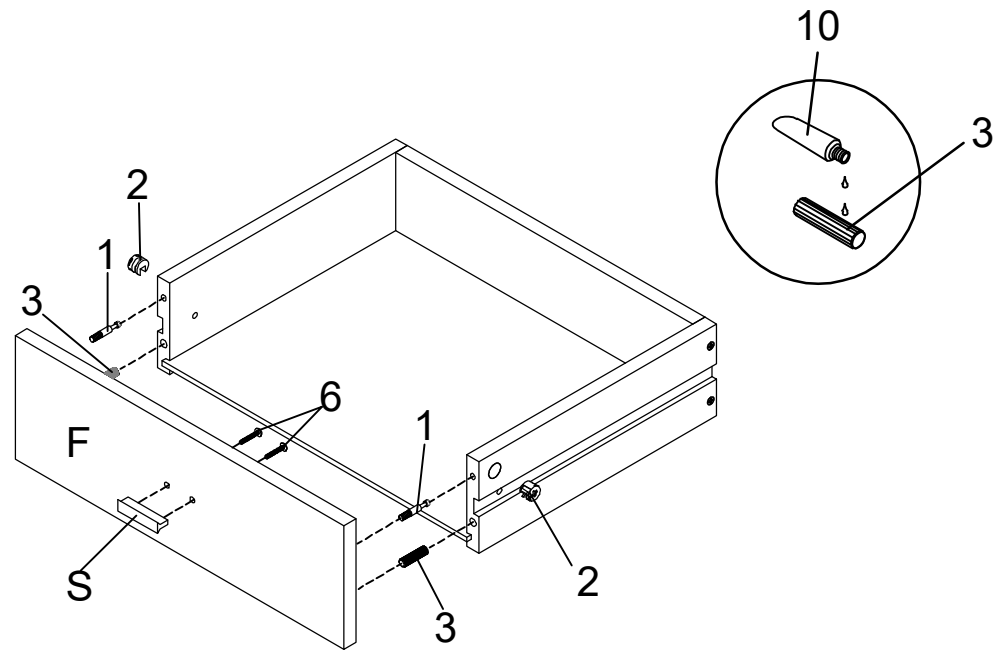
ITEM:910223  
ASSEMBLY INSTRUCTIONS  
STEP 9



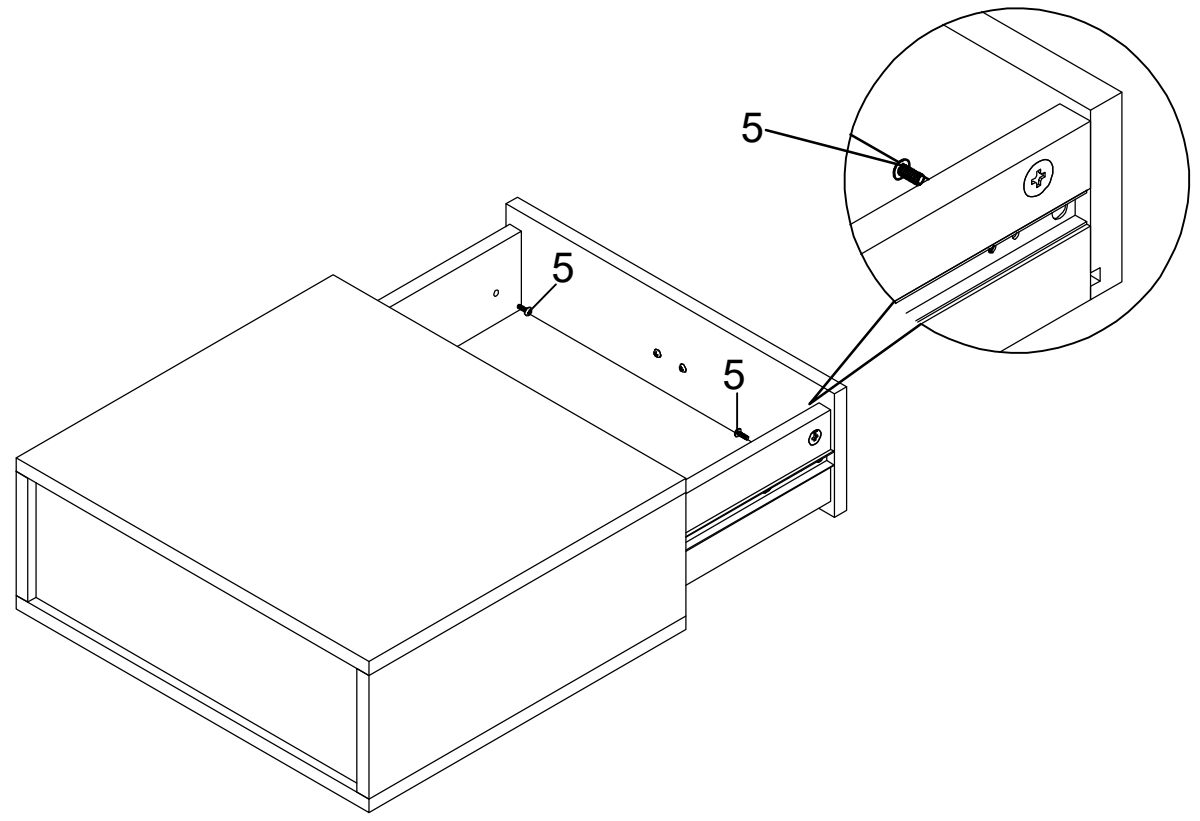
STEP 10



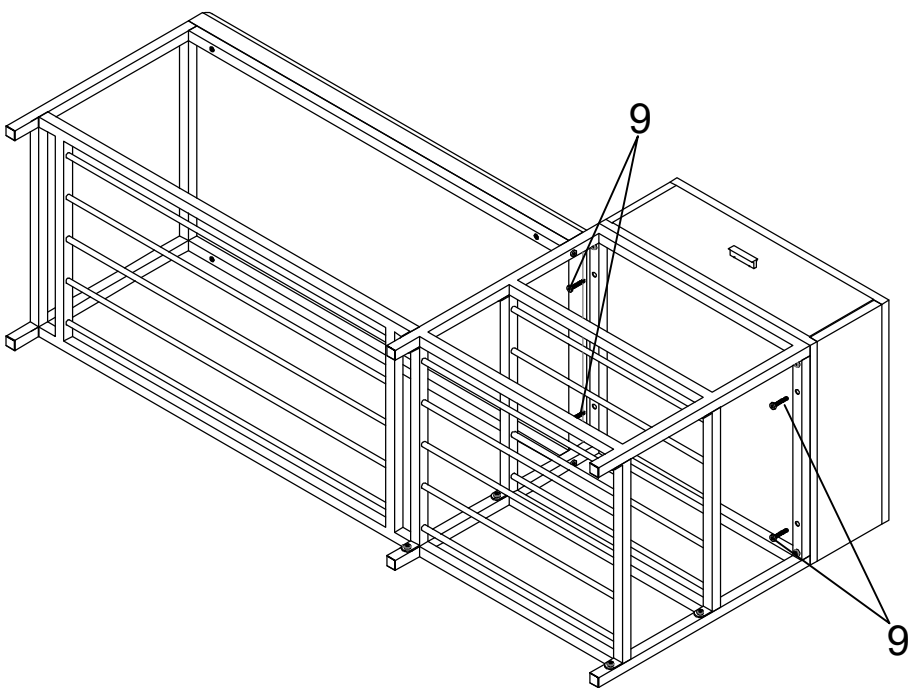
ITEM:910223  
ASSEMBLY INSTRUCTIONS  
STEP 11



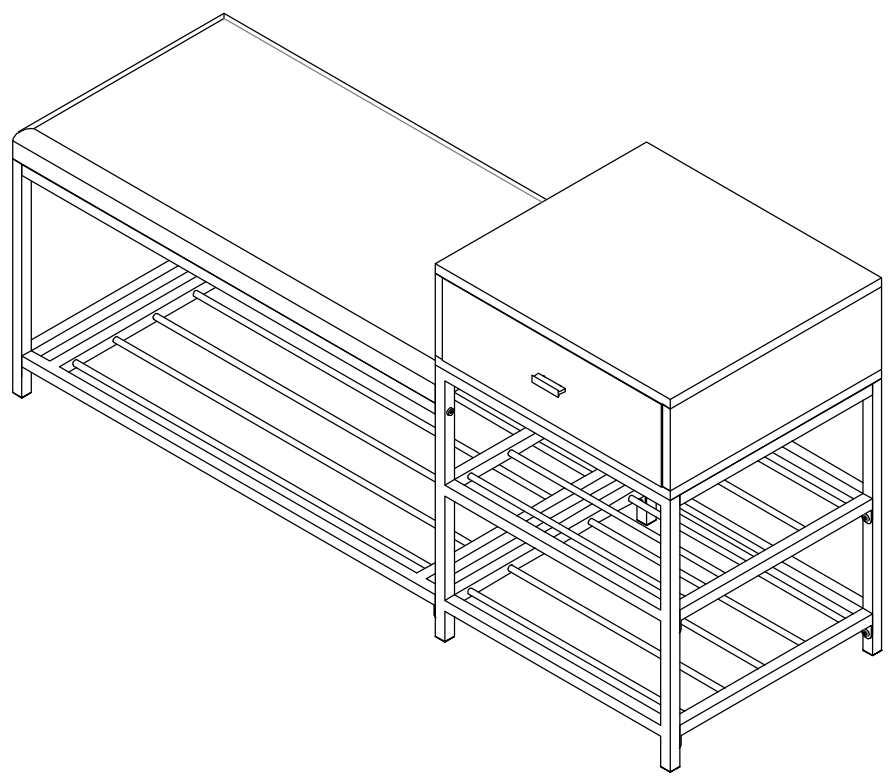
STEP 12



ITEM:910223  
ASSEMBLY INSTRUCTIONS  
STEP 13



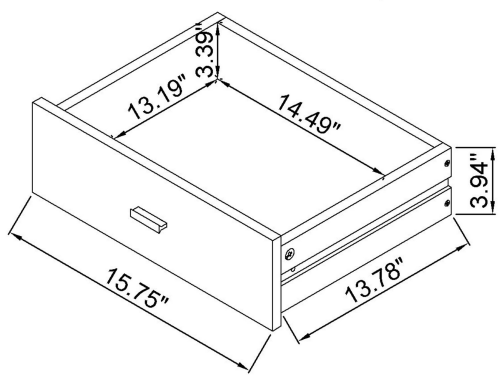
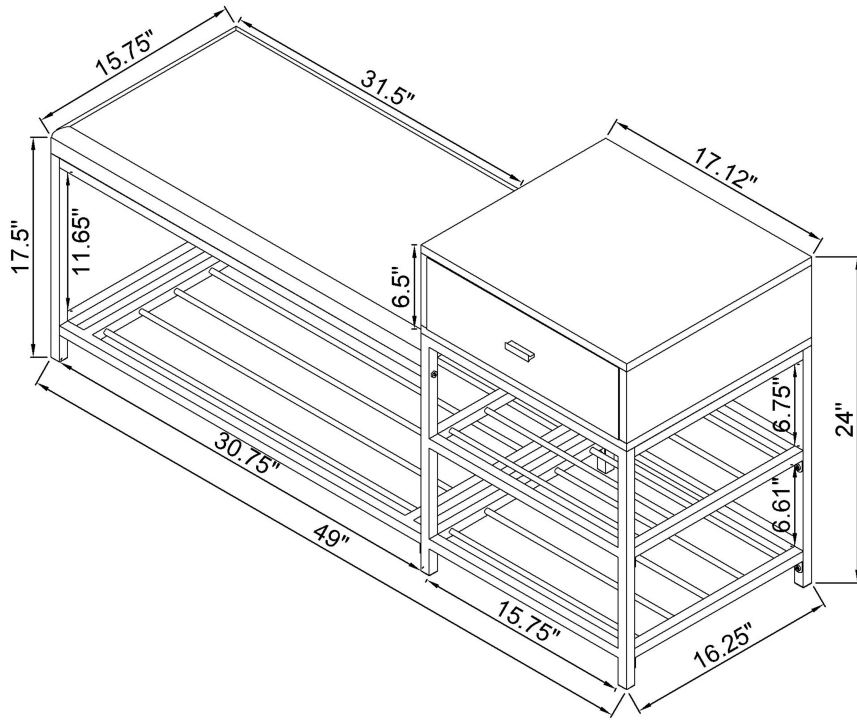
STEP 14  
COMPLETE



# ITEM:910223 ASSEMBLY INSTRUCTIONS



Product Size : 1245 X 413 X 610 H (MM)
Product Size : 49" X 16.25" X 24"



Note : Dimension tolerance  $\pm 5\%$