

ASSEMBLY INSTRUCTIONS
COASTER FINE FURNITURE



Fine Furniture for every stage of life

930282
BEAUTY STATION

ITEM:930282



ASSEMBLY INSTRUCTIONS

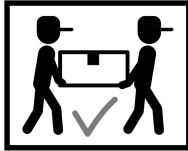
ASSEMBLY TIPS:

1. Remove hardware from box and sort by size.
2. Please check to see that all hardware and parts are present prior to start of assembly.
3. Please follow attached instructions in the same sequence as numbered to assure fast & easy assembly.



WARNING!

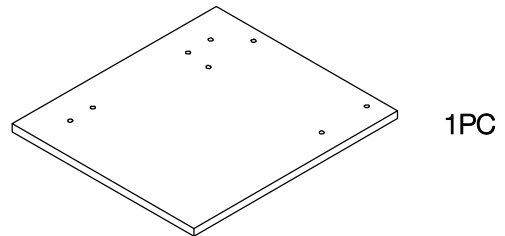
1. Don't attempt to repair or modify parts that are broken or defective. Please contact the store immediately.
2. This product is for home use only and not intended for commercial establishments.



ASSEMBLY TIME 99 MINUTES

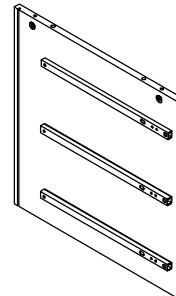
PARTS IDENTIFICATION

A TOP PANEL



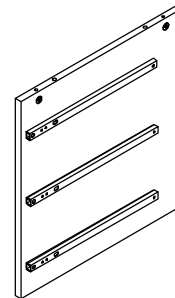
1PC

B RIGHT PANEL



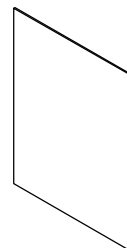
1PC

C LEFT PANEL



1PC

D BACK PANEL



1PC

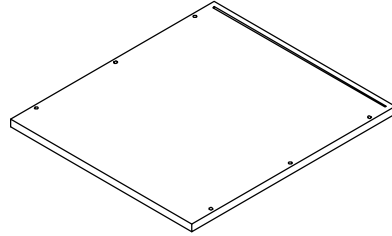
ITEM:930282



ASSEMBLY INSTRUCTIONS

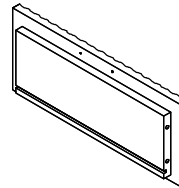
PARTS IDENTIFICATION

E BOTTOM PANEL



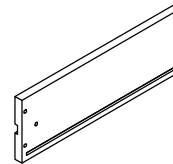
1PC

F DRAWER FRONT PANEL



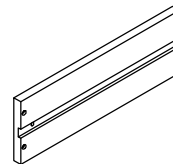
3PCS

G DRAWER LEFT PANEL



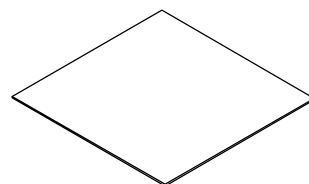
3PCS

H DRAWER RIGHT PANEL



3PCS

I DRAWER BOTTOM PANEL



3PCS

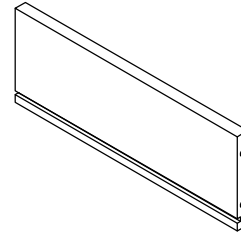
ITEM:930282



ASSEMBLY INSTRUCTIONS

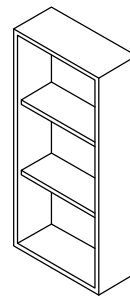
PARTS IDENTIFICATION

J DRAWER BACK PANEL



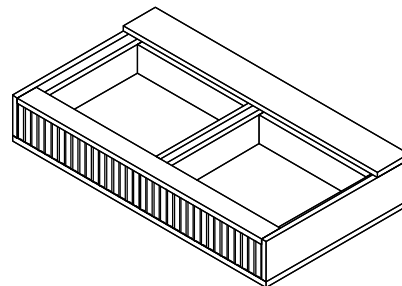
3PCS

K LONG CABINET



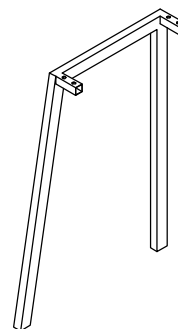
1PC

L DESKTOP CABINET



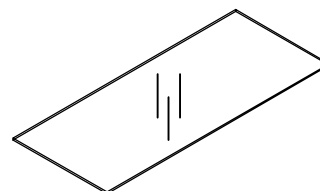
1PC

M LARGE LEG



1PC

N DESKTOP GLASS



1PC

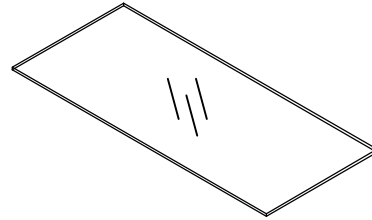
ITEM:930282



ASSEMBLY INSTRUCTIONS

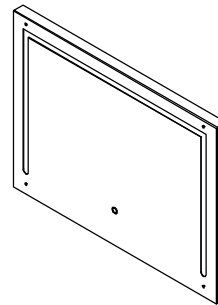
PARTS IDENTIFICATION

O CABINET GLASS



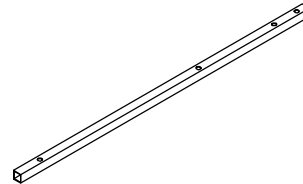
1PC

P MIRROR



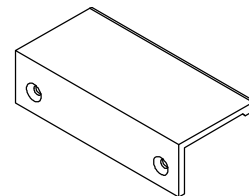
1PC

Q BACK CROSSBAR



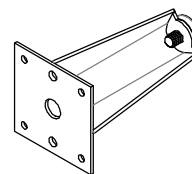
2PCS

R HANDLE



5PCS

S LEG



4PCS

ITEM:930282

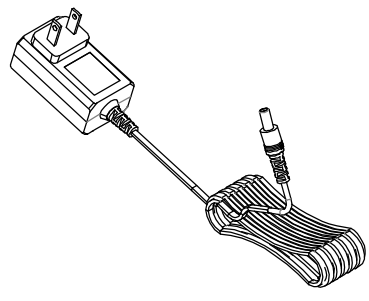


ASSEMBLY INSTRUCTIONS

PARTS IDENTIFICATION

T

POWER ADAPTER



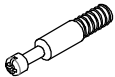


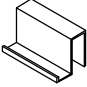

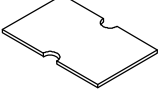
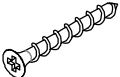


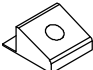
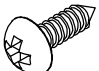
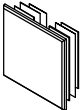

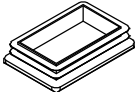
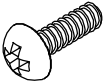
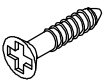


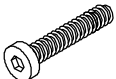

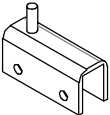

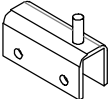

1PC

ITEM:930282



ASSEMBLY INSTRUCTIONS

Z HARDWARE IDENTIFICATION

1	CAM BOLT (38MM)		4PCS	14	BOLT-SMALL (7 x 6mm)		4PCS
2	CAM-LOCK (Ø15MM)		4PCS	15	HANDLE		1PC
3	WOOD DOWEL (8 x 30mm)		8PCS	16	TWIN ADHESIVE		1PC
4	LONG SCREW (8 x 38mm)		30PCS	17	HINGE INSERT		2PCS
5	SHORT SCREW (3.5 x 8mm)		10PCS	18	SUPPORT BUCKLE		4PCS
6	SCREW (3.5 x 12mm)		16PCS	19	CAP (16 x16 BLK)		4PCS
7	SMALL WOOD DOWEL (8 X 20mm)		2PCS	20	LONG CAP (20 x 30mm BLK)		2PCS
8	SHORT BOLT (5/32" X 12mm)		6PCS	21	SUPPORT BUCKLE SCREW (#3 x 15mm)		4PCS
9	BOLT (1/4" x28mm)		14PCS	22	SUCTION CUP		6PCS
10	LONG BOLT (1/4" x32mm)		4PCS	23	GLUE		1PC
11	TOP HINGE		1PC	24	ALLEN WRENCH (4mm)		1PC
12	BOTTOM HINGE		1PC				
13	METAL CONTACT		2PCS				

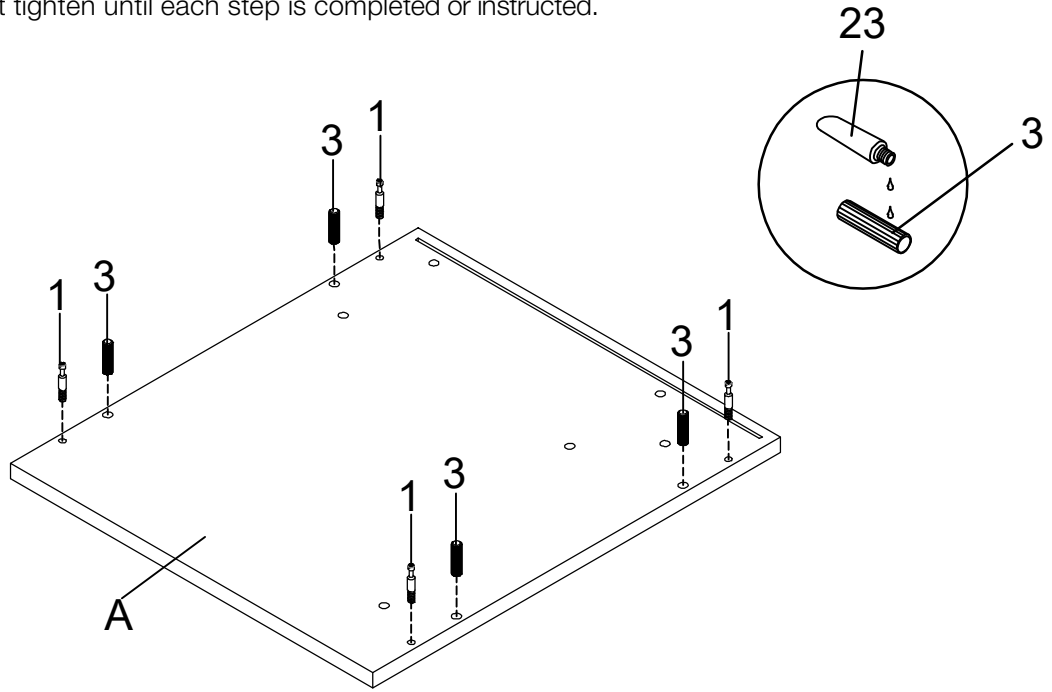
ITEM:930282

ASSEMBLY INSTRUCTIONS

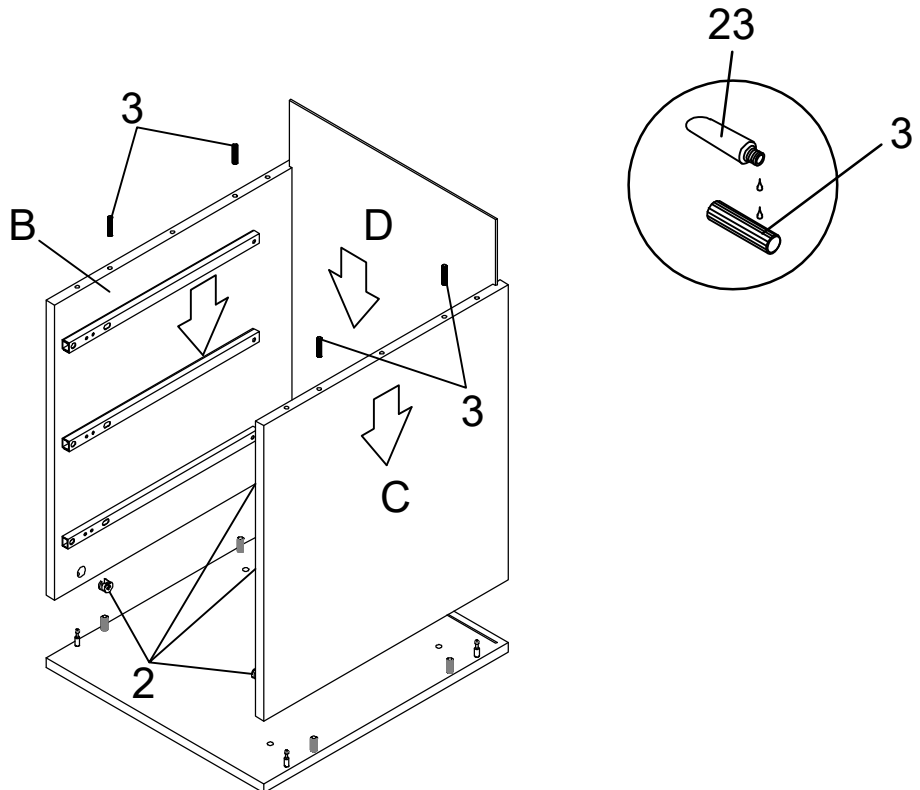


STEP 1

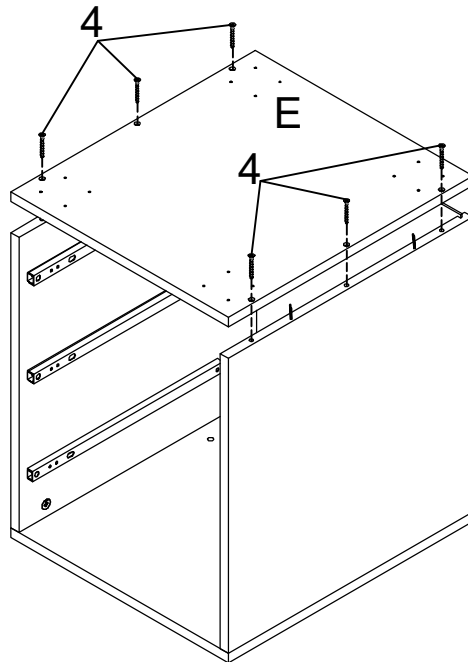
Do not tighten until each step is completed or instructed.



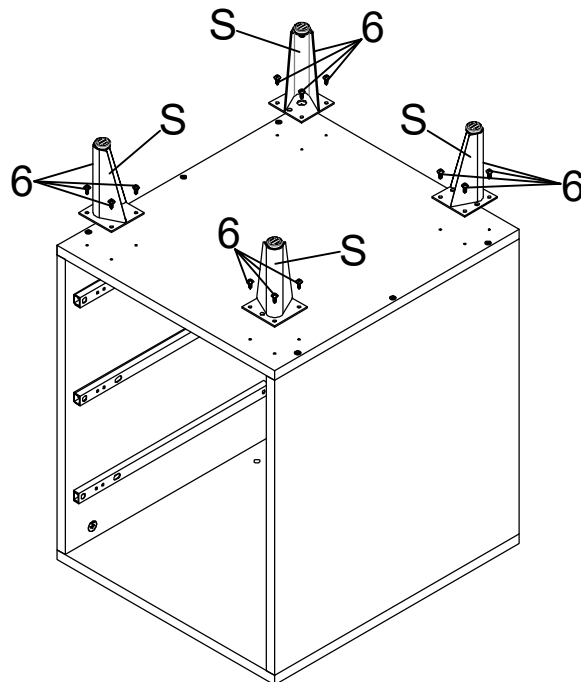
STEP 2



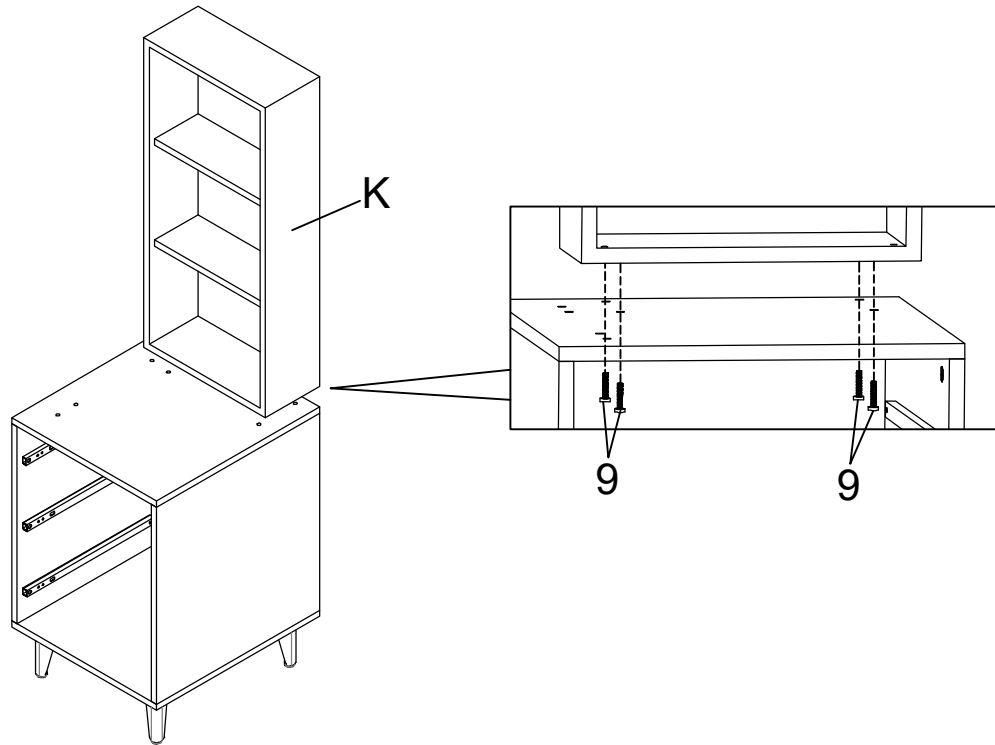
ITEM: 930282
ASSEMBLY INSTRUCTIONS
STEP 3



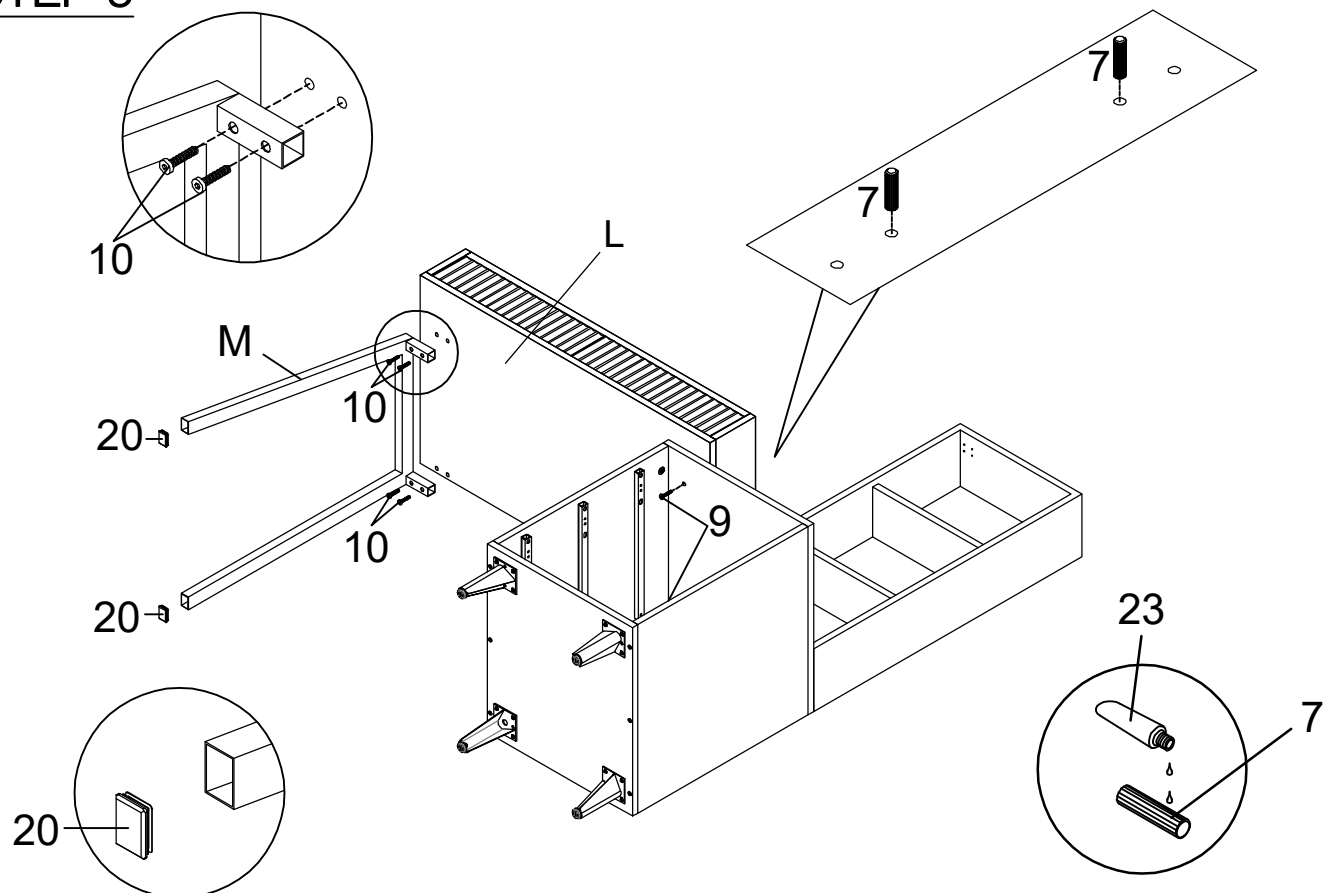
STEP 4



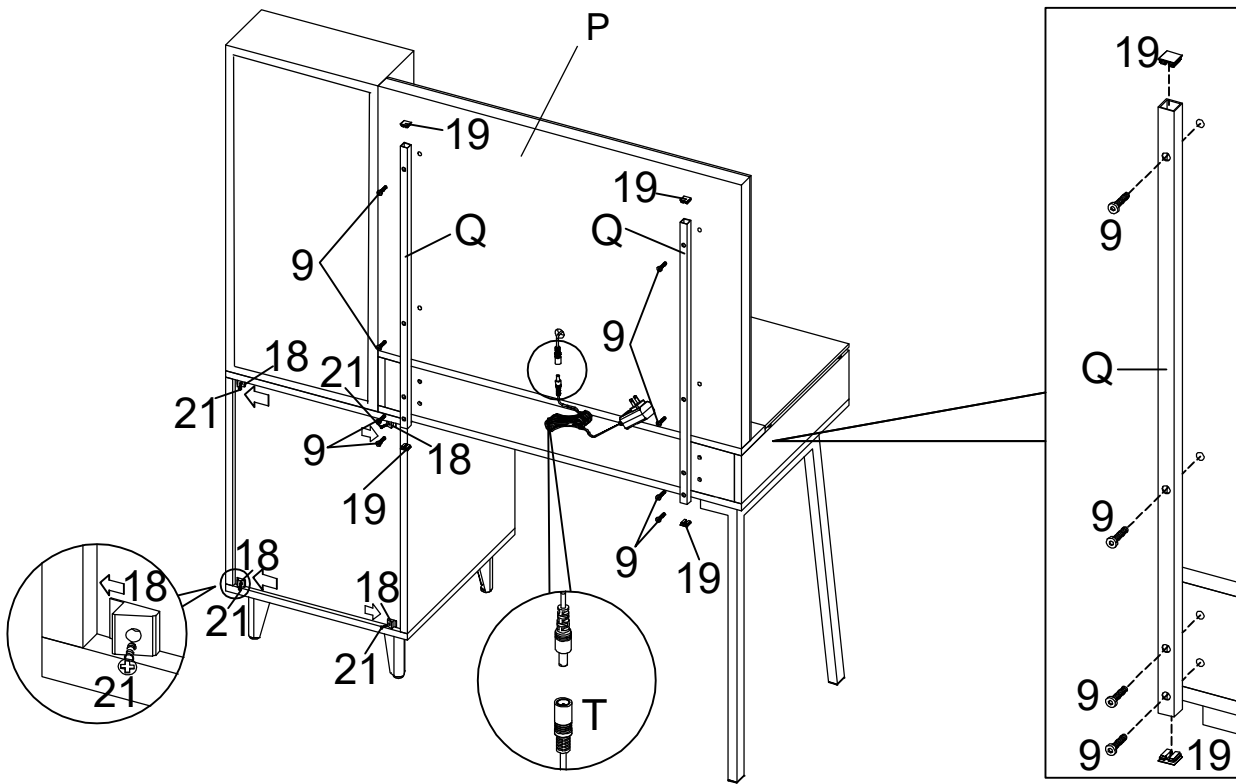
ITEM: 930282
ASSEMBLY INSTRUCTIONS
STEP 5



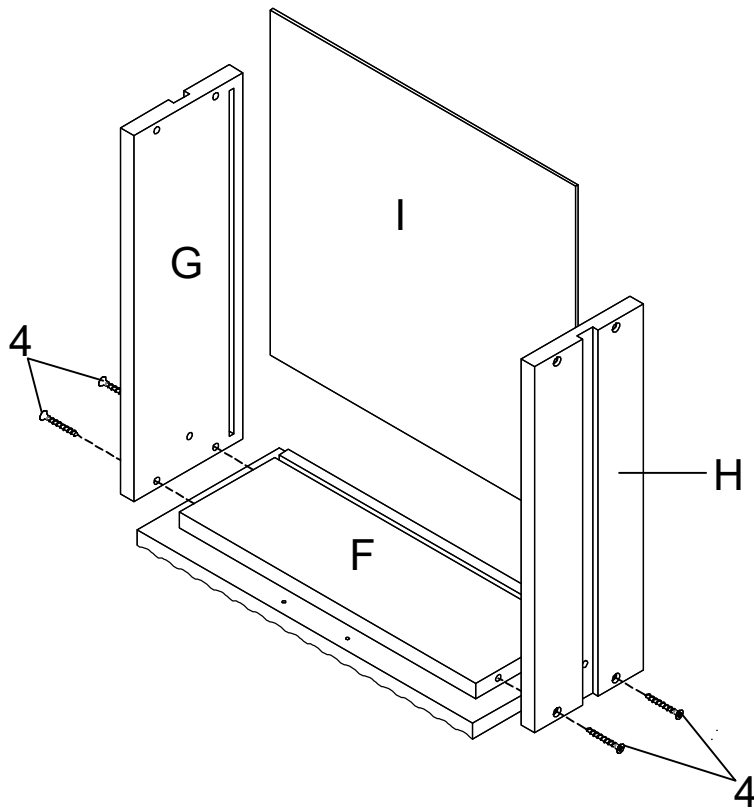
STEP 6



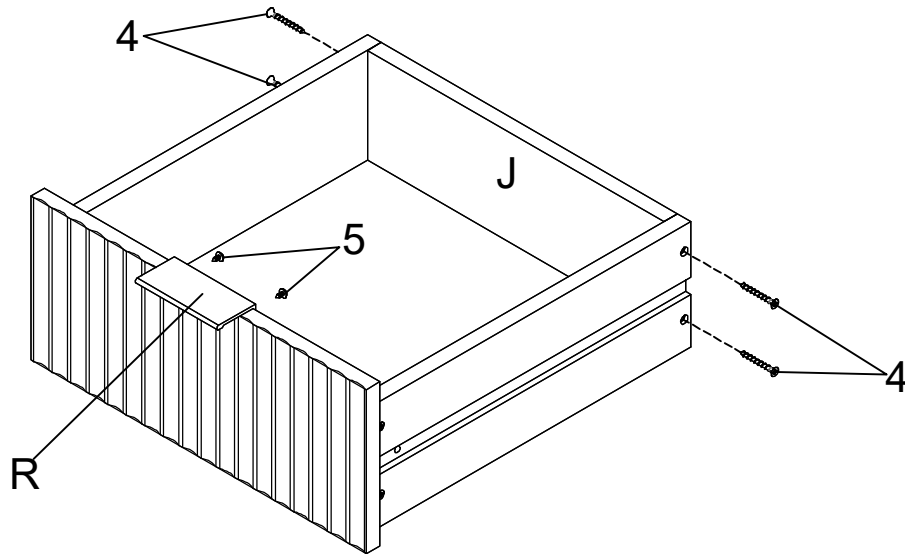
ITEM: 930282
ASSEMBLY INSTRUCTIONS
STEP 7



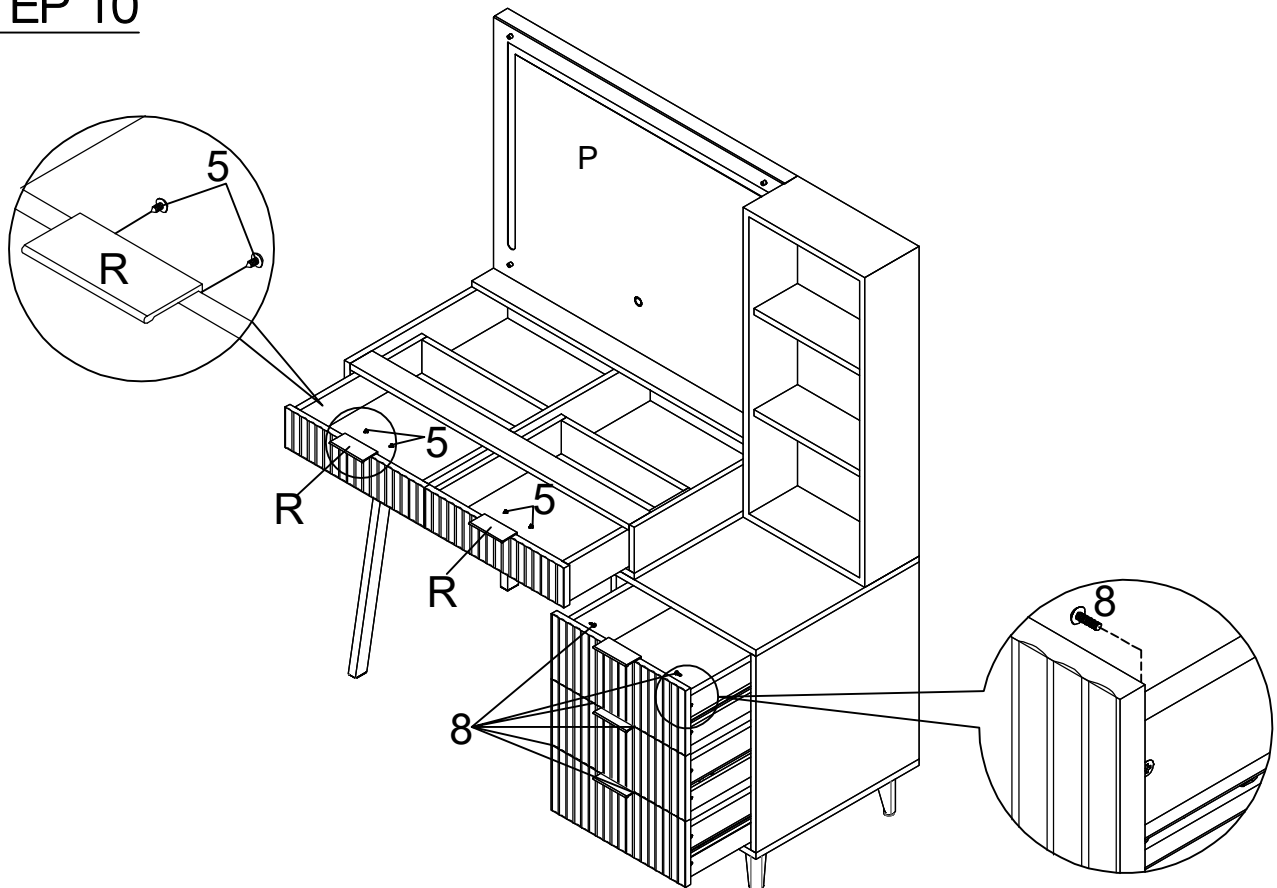
STEP 8



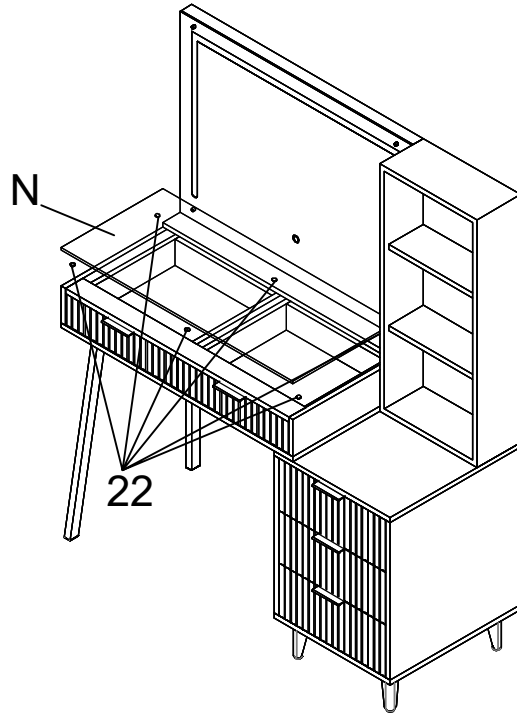
ITEM: 930282
ASSEMBLY INSTRUCTIONS
STEP 9



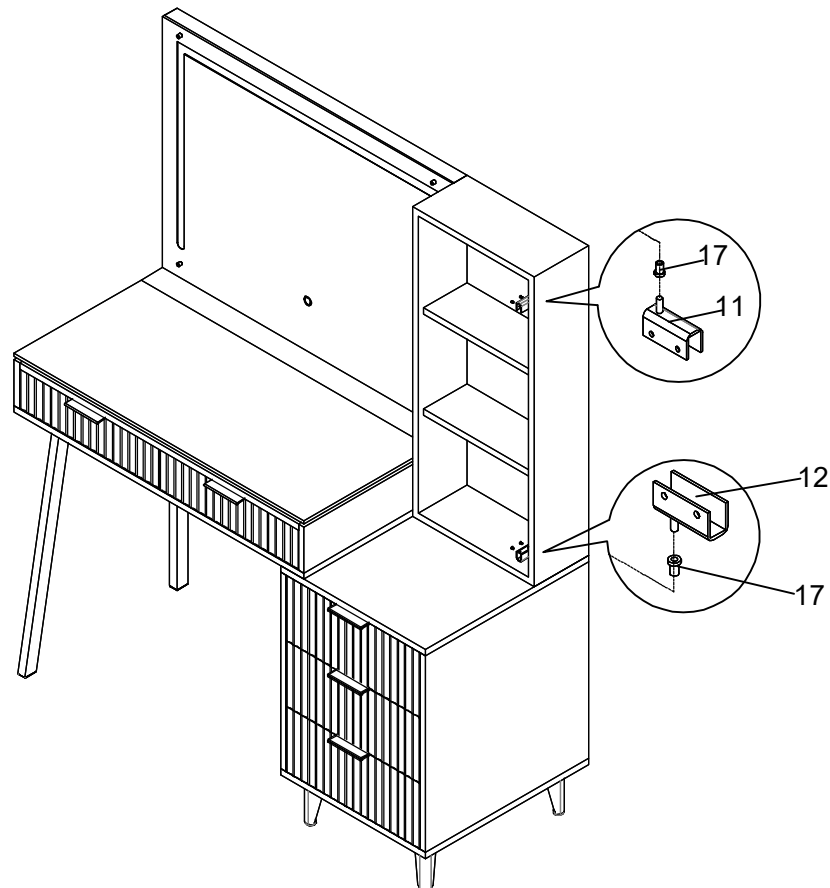
STEP 10



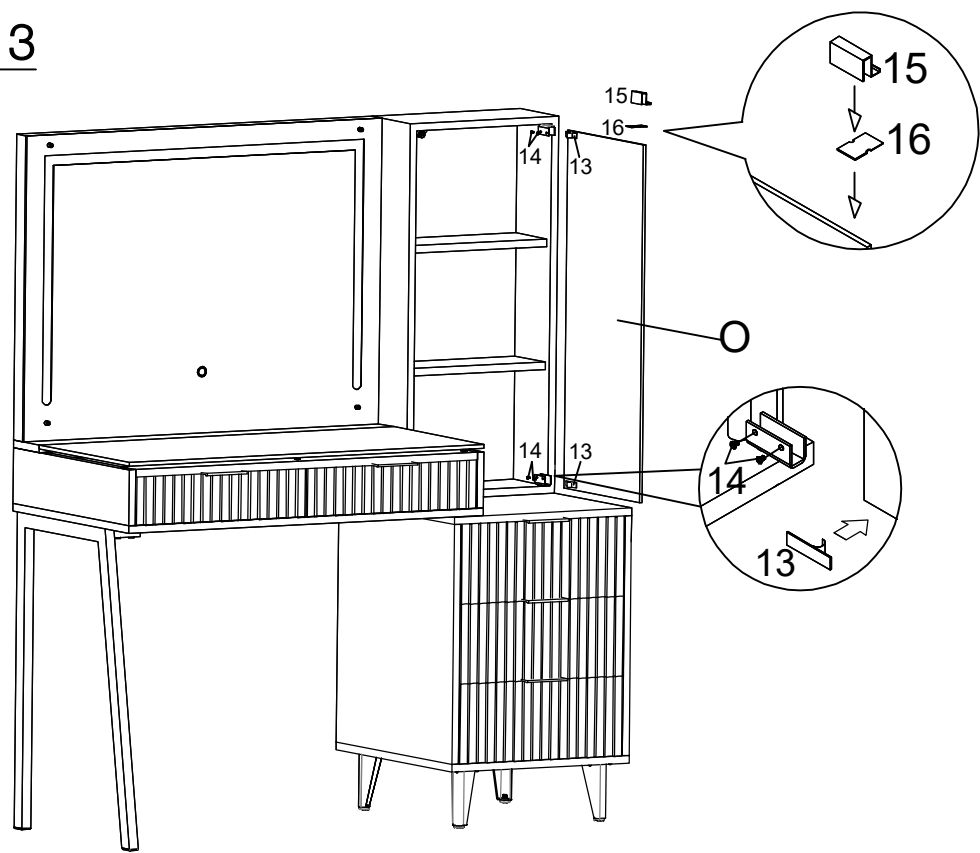
ITEM:930282
ASSEMBLY INSTRUCTIONS
STEP 11



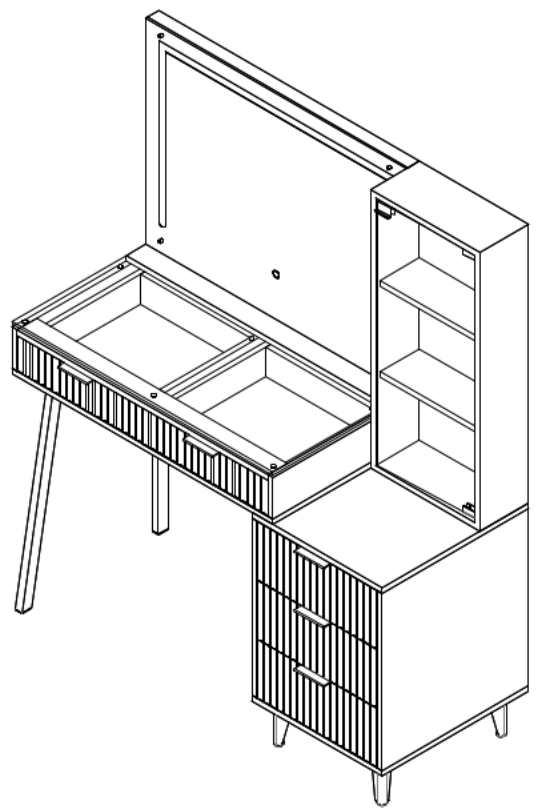
STEP 12



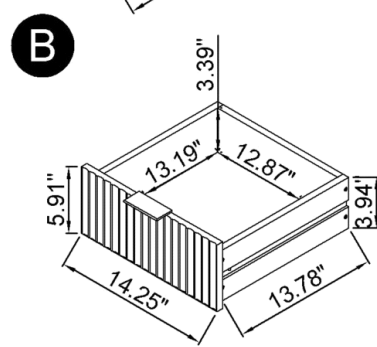
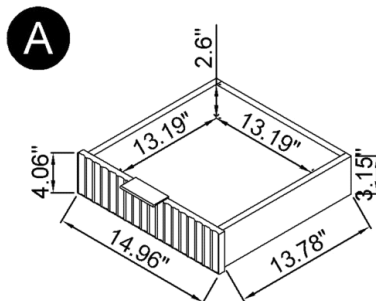
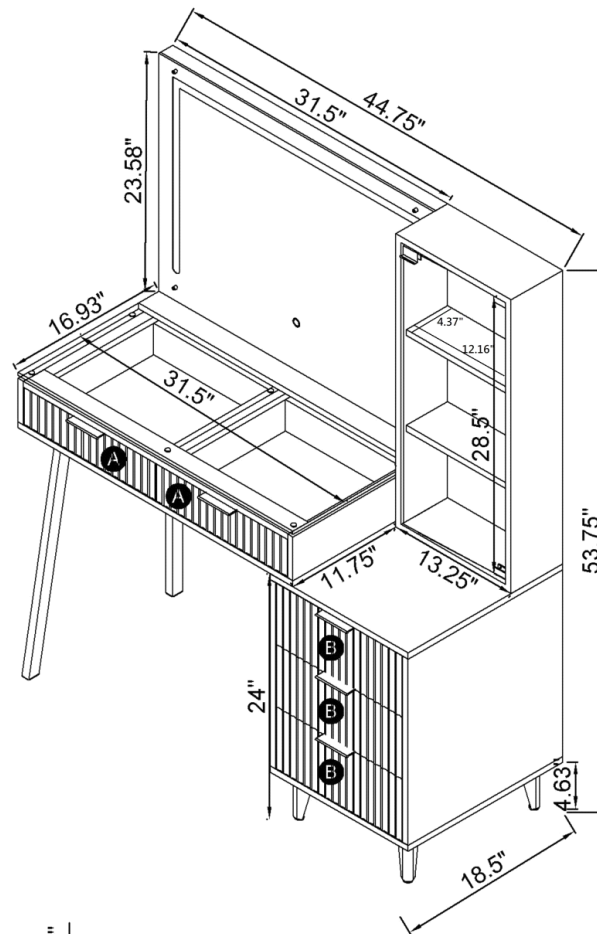
ITEM: 930282
ASSEMBLY INSTRUCTIONS
STEP 13



STEP 14
COMPLETE



ITEM:930282 ASSEMBLY INSTRUCTIONS



Note : Dimension tolerance $\pm 5\%$

ITEM: **930282**



ANTI-TIPPING INSTALLMENT INSTRUCTIONS

FURNITURE TIPPING RESTRAINT

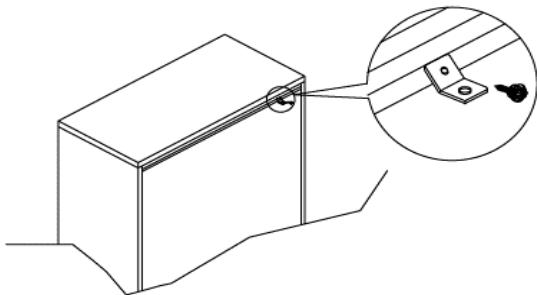
WARNING

Injury may result from tipping furniture.
This restraint may protect against tipping furniture.
Do not allow children to climb on furniture.
This restraint is not a substitute for proper adult supervision.
Failure to detach this restraint before moving the furniture may result in injury and damage.

This tip restraint must be attached to a wall stud using long screw enclosed.

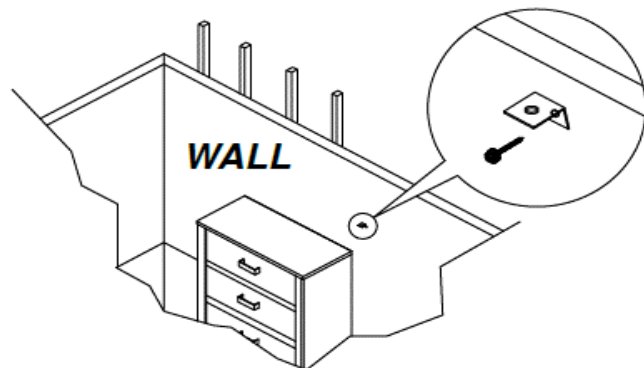
STEP 1

Attach a bracket securely to the back top rail of the furniture using short screw provided, through the smaller hole.



STEP 2

Locate the other bracket on the wall over a plastic wall stud and two inches below the mounting bracket secured to the back of the furniture. Attach the wall stud using the long screw provided, through the smaller hole.



STEP 3

Place the furniture into position so both mounting brackets are vertically in line. Lace the end of the restraint strap through the larger hole in each mounting bracket. Bring both ends together and slide the flat end through the locking end and draw it through until all slack is removed. Confirm that the strap is securely laced and locked.

