

ASSEMBLY INSTRUCTIONS
COASTER FINE FURNITURE



Fine Furniture for every stage of life

950172MGO
CURIO CABINET

ITEM:950172MGO



ASSEMBLY INSTRUCTIONS

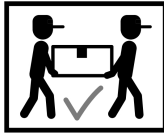
ASSEMBLY TIPS:

1. Remove hardware from box and sort by size.
2. Please check to see that all hardware and parts are present prior to start of assembly.
3. Please follow attached instructions in the same sequence as numbered to assure fast & easy assembly.



WARNING!

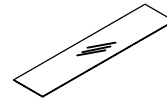
1. Don't attempt to repair or modify parts that are broken or defective. Please contact the store immediately.
2. This product is for home use only and not intended for commercial establishments.



ASSEMBLY TIME 50 MINUTES

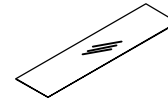
PARTS IDENTIFICATION

A DOOR GLASS
1555x382mm



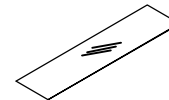
1PC

B SIDE GLASS
1576x345mm



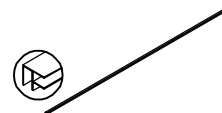
2PCS

C BACK GLASS
1576x387mm



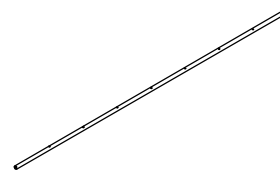
1PC

D PLASTIC BAR



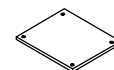
2PCS

E CROSSBAR



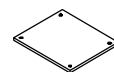
4PCS

F1 TOP WOOD PANEL



1PC

F2 BOTTOM WOOD PANEL



1PC

ITEM:950172MGO

ASSEMBLY INSTRUCTIONS

PARTS IDENTIFICATION



G GLASS SHELF
382x285mm



3PCS

HARDWARE IDENTIFICATION

1 PLASTIC FEET
($\phi 44$ x 18mm)  4PCS

2 BOLT-LARGE
(1/4" x 1-3/4")  8PCS

3 WASHER
(1/4" x 16mm)  8PCS

4 SUCTION CUP
($\phi 20$ x 28mm)  12PCS

5 BOLT-MEDIUM
($\phi 8$ x 30mm)  12PCS

6 HINGE
(40mm)  2PCS

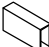
7 HINGE INSERT
(38mm)  2PCS

8 METAL CONTACT
(38mm)  2PCS

9 BOLT-SMALL
($\phi 7$ x 6mm)  4PCS

10 PLASTIC MAGNET
(19mm)  2PCS

11 HANDLE
(40mm)  1PC

12 METAL CONTACT
(40mm)  1PC

13 TWIN ADHESIVE
(38 x 42mm)  2PCS

14 SCREW
($\phi 8$ x 22mm)  4PCS

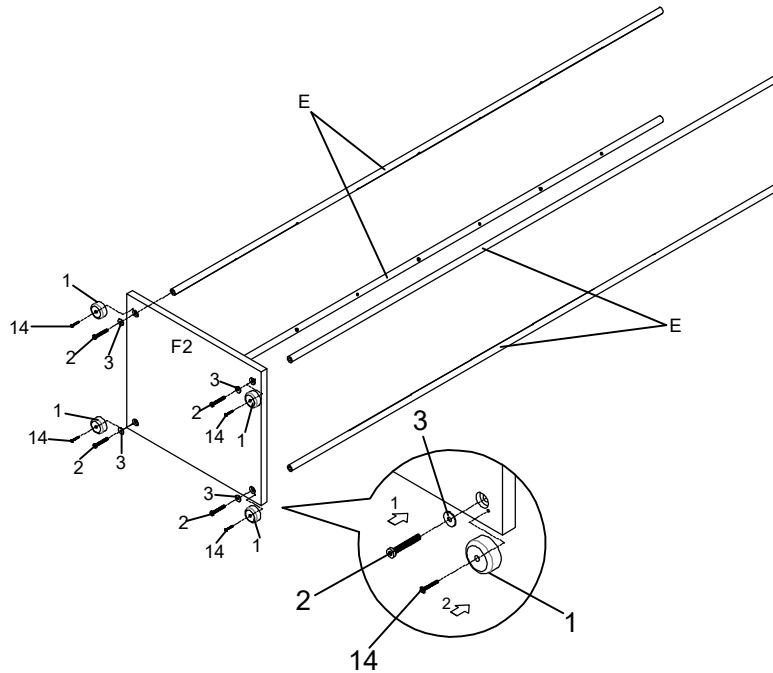
15 ALLEN KEY
(4mm)  1PC

16 STICKER
($\phi 20$ mm)  4PCS

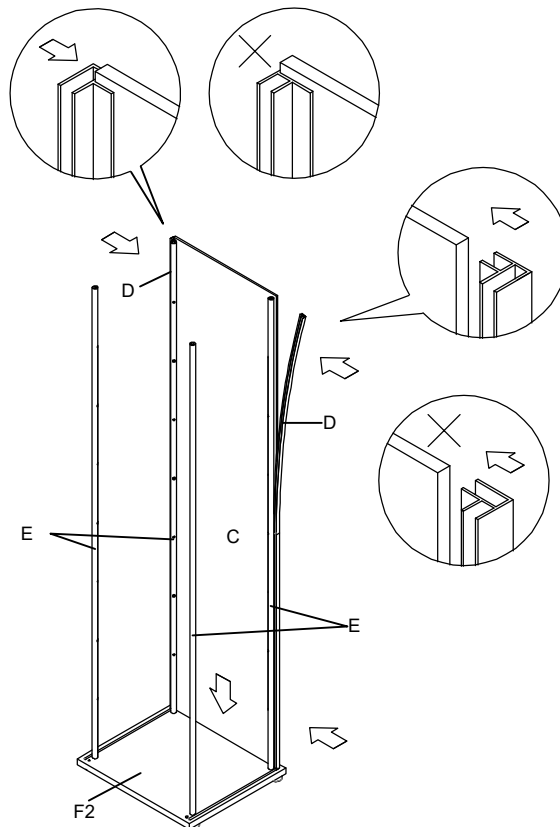
ITEM: 950172MGO ASSEMBLY INSTRUCTIONS



STEP 1 Adjustable distance between glass panes



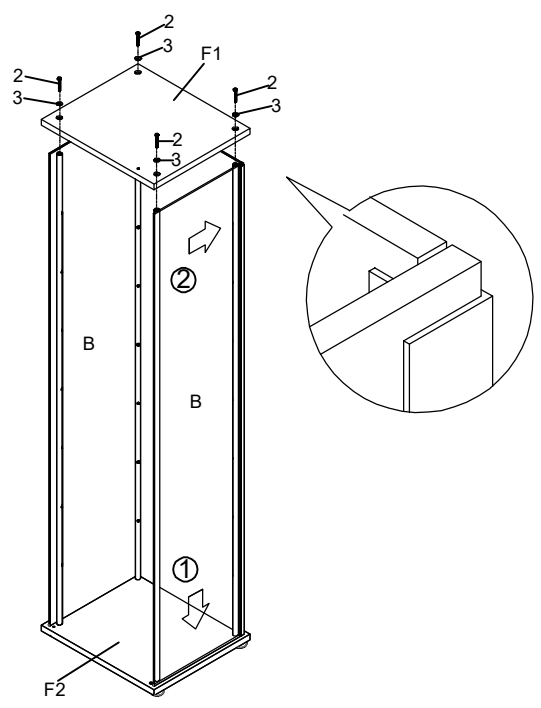
STEP 2



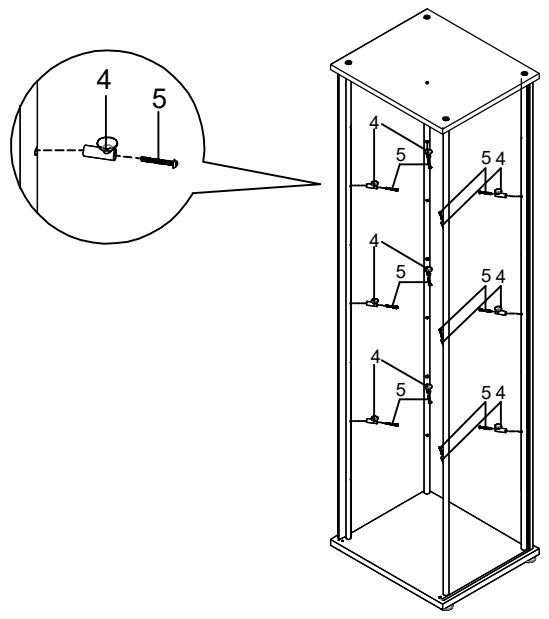
ITEM:950172MGO ASSEMBLY INSTRUCTIONS



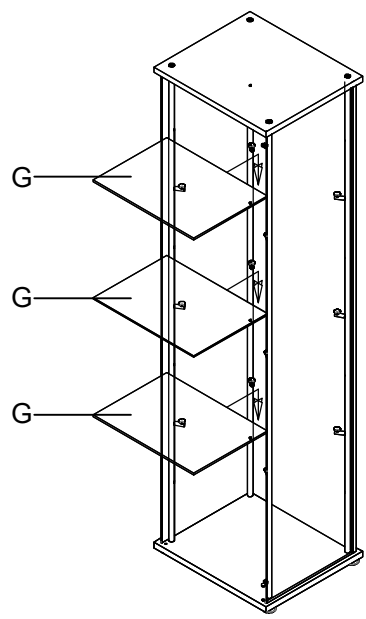
STEP 3



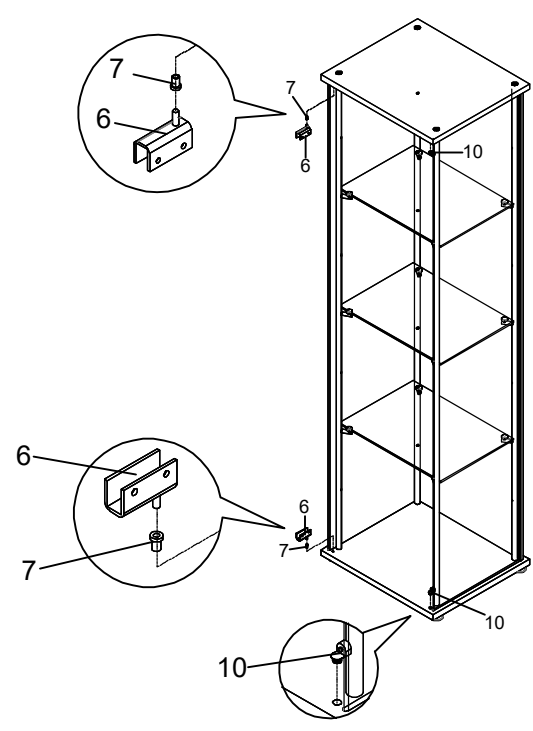
STEP 4



ITEM:950172MGO
ASSEMBLY INSTRUCTIONS
STEP 5



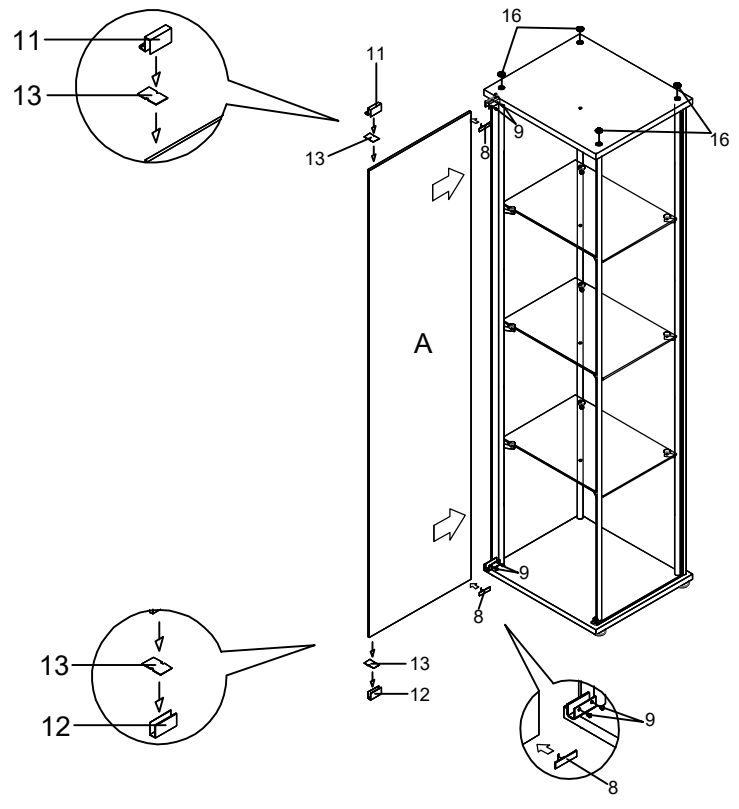
STEP 6



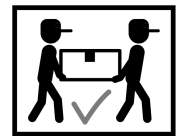
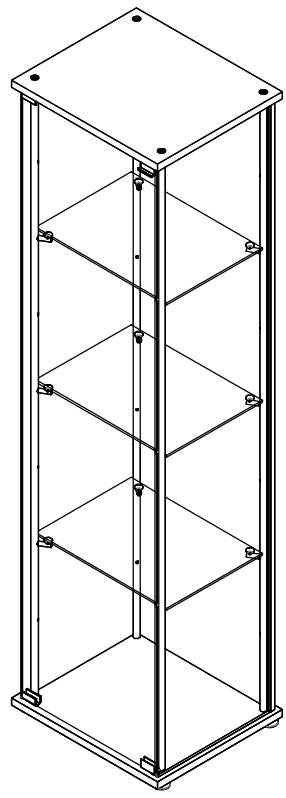
ITEM:950172MGO ASSEMBLY INSTRUCTIONS



STEP 7



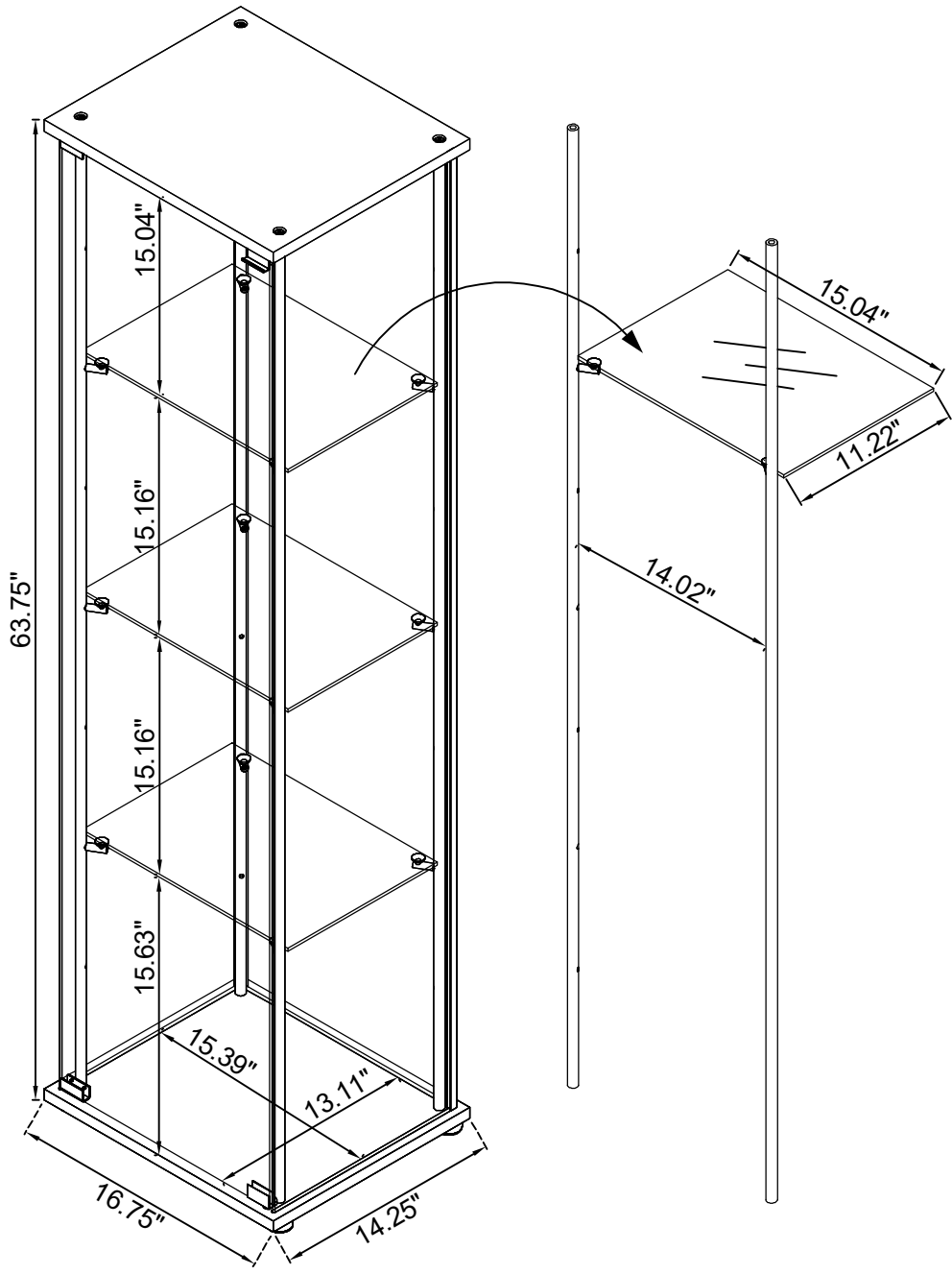
STEP 8 COMPLETE



ITEM:950172MGO ASSEMBLY INSTRUCTIONS



Product Size : 425 X 362 X 1620 H (MM)
Product Size : 16.75" X 14.25" X 63.75"



Note : Dimension tolerance $\pm 5\%$

ITEM:950172MGO

ANTI-TIPPING INSTALLMENT INSTRUCTIONS



FURNITURE TIPPING RESTRAINT

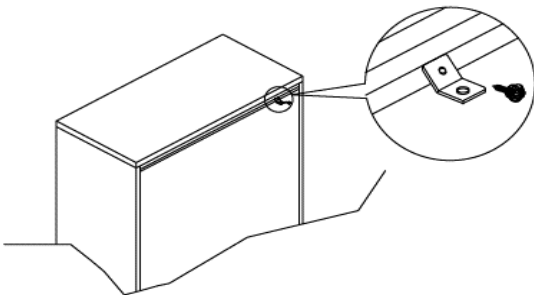
WARNING

Injury may result from tipping furniture.
This restraint may protect against tipping furniture.
Do not allow children to climb on furniture.
This restraint is not a substitute for proper adult supervision.
Failure to detach this restraint before moving the furniture may result in injury and damage.

This tip restraint must be attached to a wall stud using long screw enclosed.

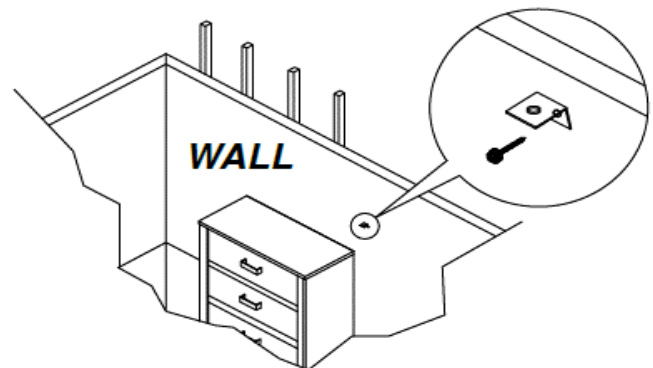
STEP 1

Attach a bracket securely to the back top rail of the furniture using short screw provided, through the smaller hole.



STEP 2

Locate the other bracket on the wall over a plastic wall stud and two inches below the mounting bracket secured to the back of the furniture. Attach the wall stud using the long screw provided, through the smaller hole.



STEP 3

Place the furniture into position so both mounting brackets are vertically in line. Lace the end of the restraint strap through the larger hole in each mounting bracket. Bring both ends together and slide the flat end through the locking end and draw it through until all slack is removed. Confirm that the strap is securely laced and locked.

