

ASSEMBLY INSTRUCTIONS
COASTER FINE FURNITURE



Fine Furniture for every stage of life

950170WHT
CURIO CABINET

ITEM:950170WHT



ASSEMBLY INSTRUCTIONS

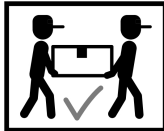
ASSEMBLY TIPS:

1. Remove hardware from box and sort by size.
2. Please check to see that all hardware and parts are present prior to start of assembly.
3. Please follow attached instructions in the same sequence as numbered to assure fast & easy assembly.



WARNING!

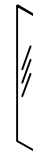
1. Don't attempt to repair or modify parts that are broken or defective. Please contact the store immediately.
2. This product is for home use only and not intended for commercial establishments.



ASSEMBLY TIME 50 MINUTES

PARTS IDENTIFICATION

A DOOR GLASS
1555x279mm



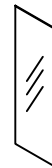
2PCS

B SIDE GLASS
1576x345mm



2PCS

C BACK GLASS
1576x567mm



1PC

D PLASTIC BAR



2PCS

E SHELF SUPPORT



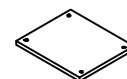
4PCS

F TOP WOOD PANEL



1PC

G BOTTOM WOOD PANEL



1PC

ITEM:950170WHT

ASSEMBLY INSTRUCTIONS

PARTS IDENTIFICATION



H GLASS SHELF
565x250mm



4PCS

HARDWARE IDENTIFICATION

1 PLASTIC FEET
($\phi 44 \times 18\text{mm}$)



4PCS

2 ALLEN BOLT-LARGE
(1/4" x 1-3/4")



8PCS

3 WASHER
(1/4" x 16mm)



8PCS

4 HINGE
(40mm)



4PCS

5 HINGE INSERT
($\phi 12 \times 9\text{mm}$)



4PCS

6 METAL WITH ADHESIVE
(38mm)



4PCS

7 SMALL BOLT
($\phi 7 \times 6\text{mm}$)



8PCS

8 PLASTIC MAGNET
(19mm)



4PCS

9 HANDLE
(40mm)



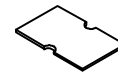
2PCS

10 METAL CONTACT
(40mm)



2PCS

11 ADHESIVE
(38 x 42mm)



4PCS

12 SCREW
($\phi 8 \times 22\text{mm}$)



4PCS

13 ALLEN KEY
(4mm)



1PC

14 SUCTION CUP
($\phi 20 \times 28\text{mm}$)



16PCS

15 BOLT
($\phi 8 \times 30\text{mm}$)



16PCS

16 STICKER
($\phi 20\text{mm}$)

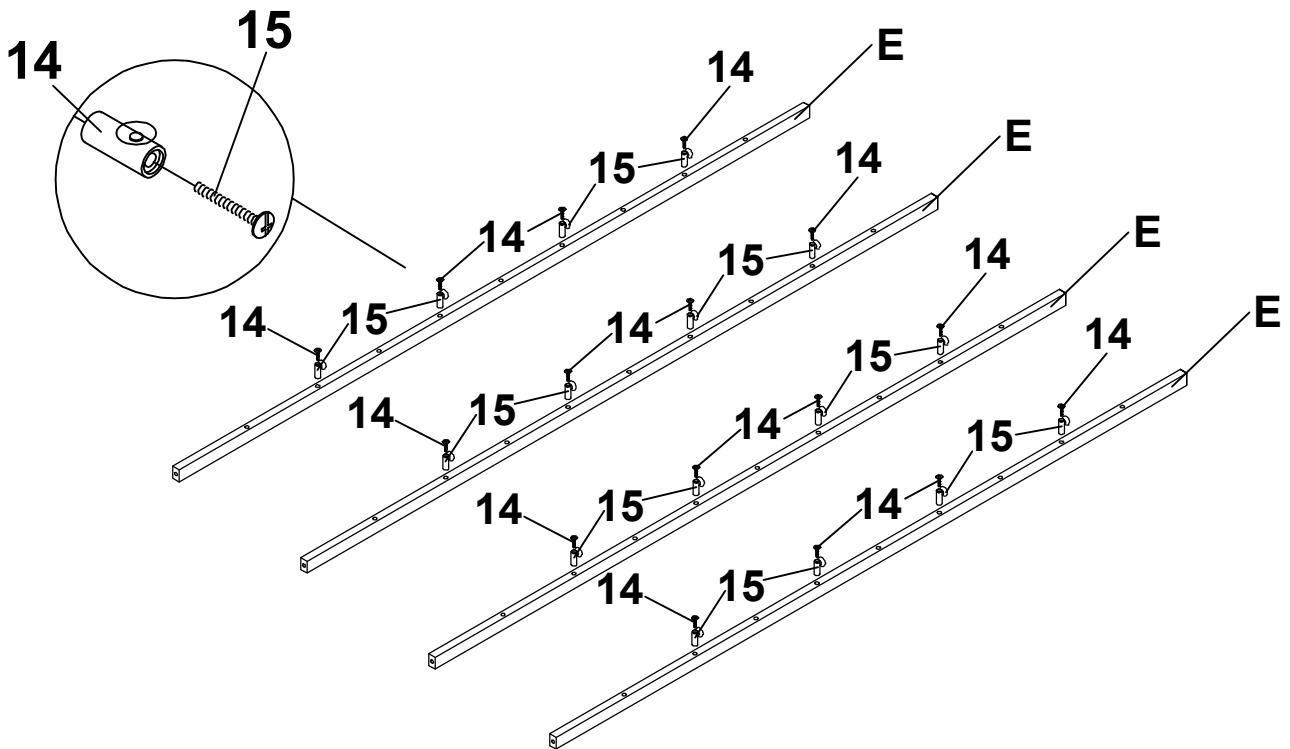


4PCS

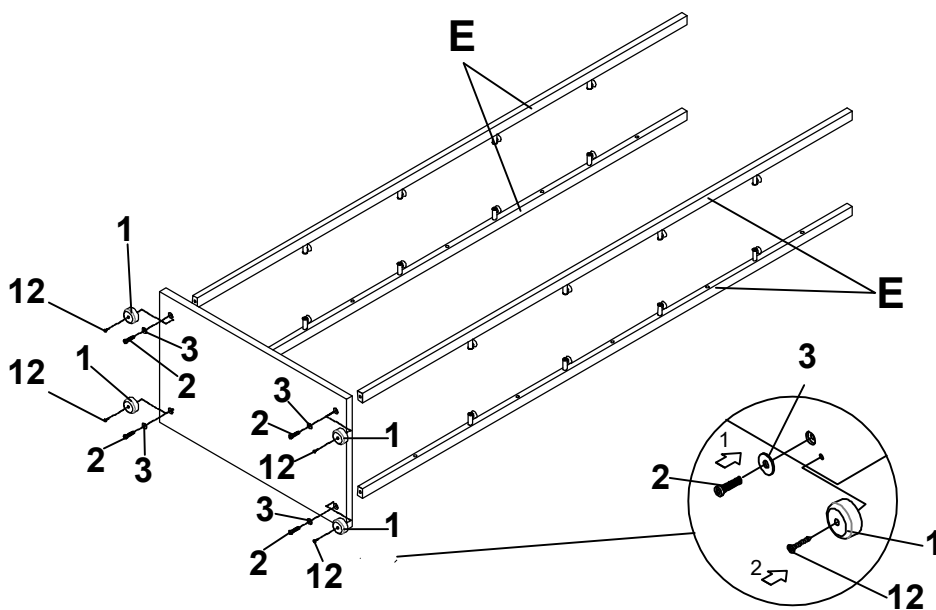
ITEM:950170WHT ASSEMBLY INSTRUCTIONS



STEP 1 Adjustable distance between glass panes

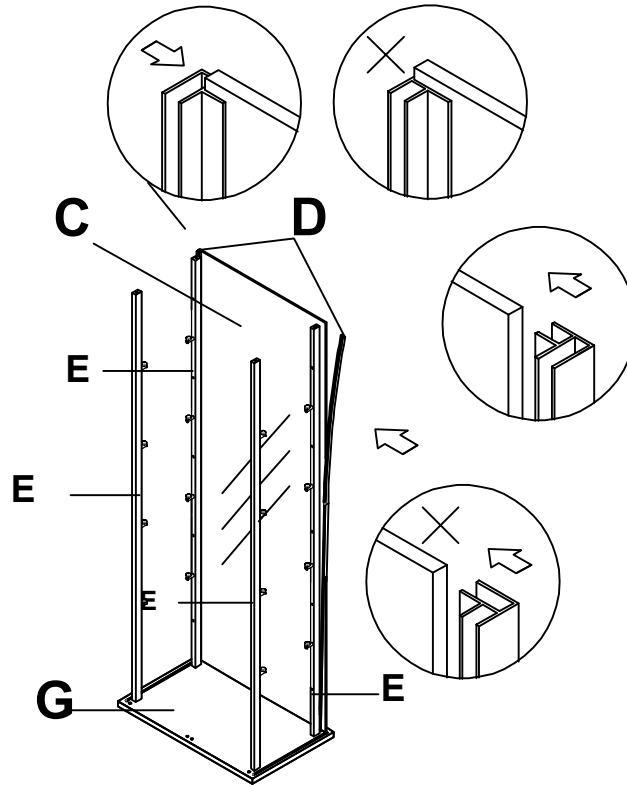


STEP 2

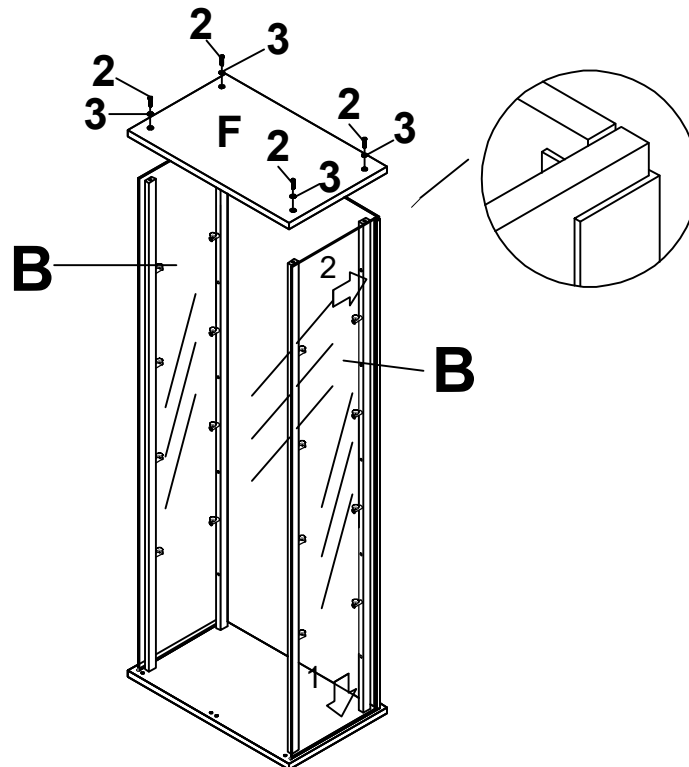


ITEM: 950170WHT
ASSEMBLY INSTRUCTIONS

STEP 3

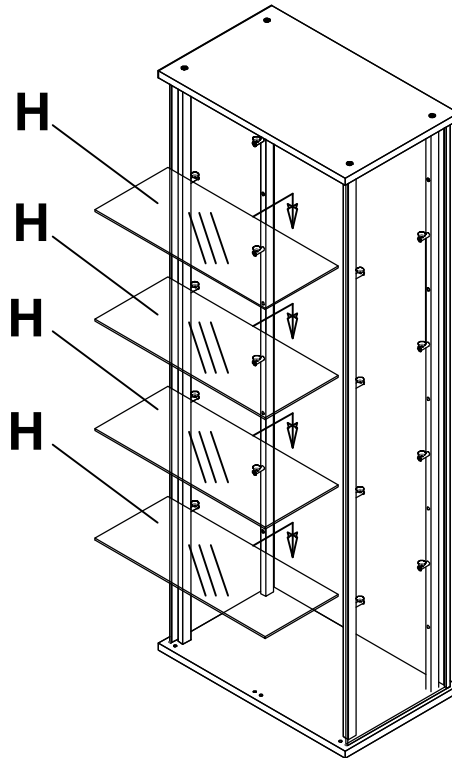


STEP 4

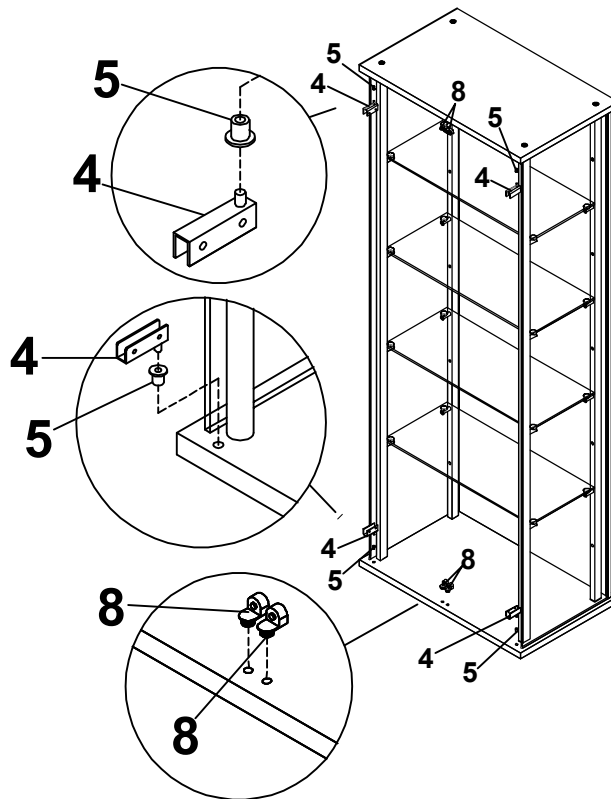


ITEM:950170WHT ASSEMBLY INSTRUCTIONS

STEP 5



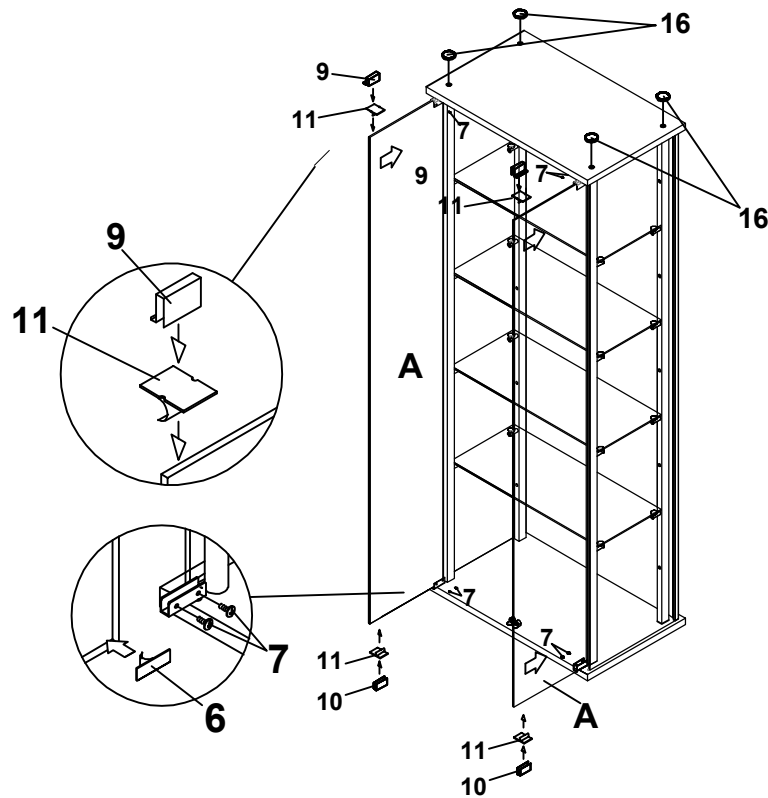
STEP 6



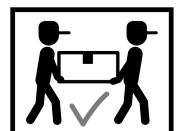
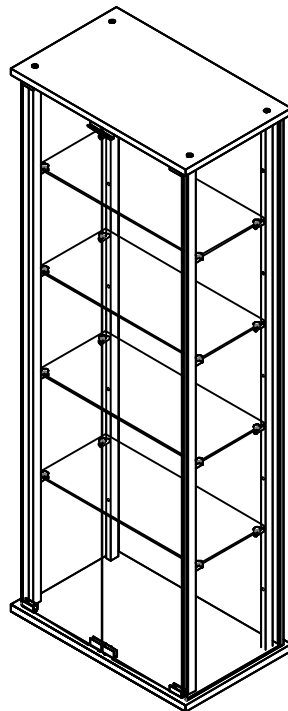
ITEM:950170WHT ASSEMBLY INSTRUCTIONS



STEP 7



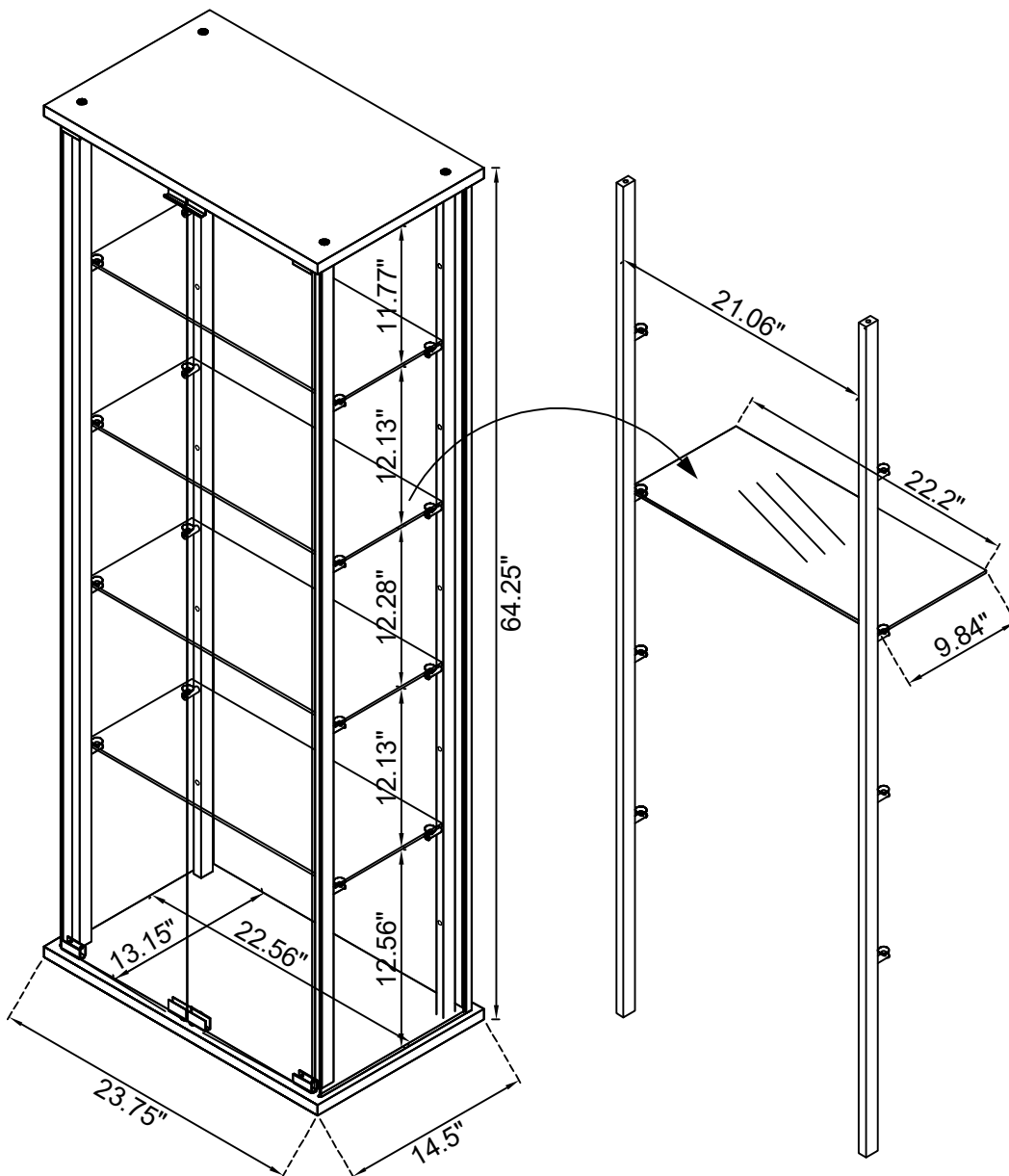
STEP 8 COMPLETE



ITEM:950170WHT ASSEMBLY INSTRUCTIONS



Product Size : 603 X 367 X 1632 H (MM)
Product Size : 23.75" X 14.5" X 64.25"



Note : Dimension tolerance $\pm 5\%$

ITEM: 950170WHT



ANTI-TIPPING INSTALLMENT INSTRUCTIONS

FURNITURE TIPPING RESTRAINT

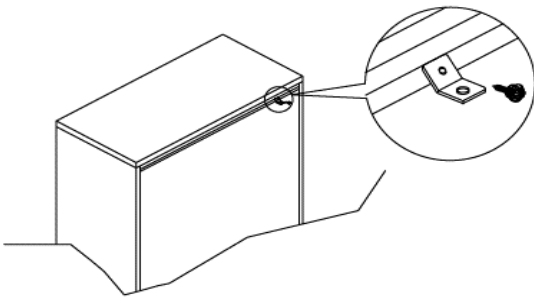
WARNING

Injury may result from tipping furniture.
This restraint may protect against tipping furniture.
Do not allow children to climb on furniture.
This restraint is not a substitute for proper adult supervision.
Failure to detach this restraint before moving the furniture may result in injury and damage.

This tip restraint must be attached to a wall stud using long screw enclosed.

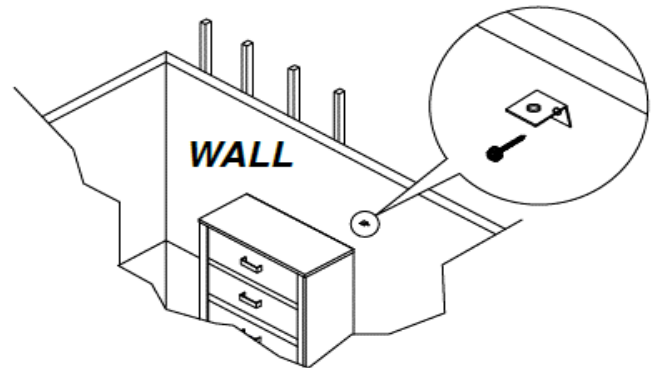
STEP 1

Attach a bracket securely to the back top rail of the furniture using short screw provided, through the smaller hole.



STEP 2

Locate the other bracket on the wall over a plastic wall stud and two inches below the mounting bracket secured to the back of the furniture. Attach the wall stud using the long screw provided, through the smaller hole.



STEP 3

Place the furniture into position so both mounting brackets are vertically in line. Lace the end of the restraint strap through the larger hole in each mounting bracket. Bring both ends together and slide the flat end through the locking end and draw it through until all slack is removed. Confirm that the strap is securely laced and locked.

