

**ASSEMBLY INSTRUCTIONS**  
**COASTER FINE FURNITURE**



*Fine Furniture for every stage of life*

**930280**  
***BEAUTY STATION***

# ITEM:930280

## ASSEMBLY INSTRUCTIONS

### ASSEMBLY TIPS:

1. Remove hardware from box and sort by size.
2. Please check to see that all hardware and parts are present prior to start of assembly.
3. Please follow attached instructions in the same sequence as numbered to assure fast & easy assembly.



### WARNING!

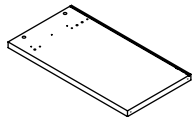
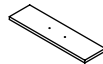
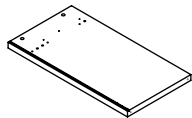

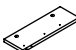

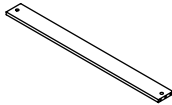
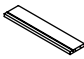
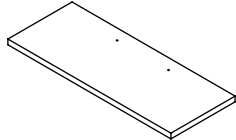

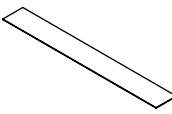

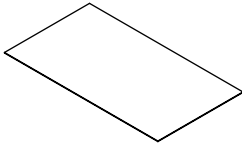
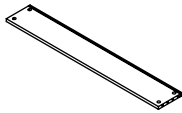
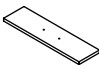
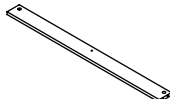
1. Don't attempt to repair or modify parts that are broken or defective. Please contact the store immediately.
2. This product is for home use only and not intended for commercial establishments.



ASSEMBLY TIME

60 MINUTES

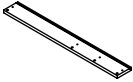
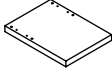
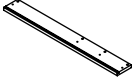




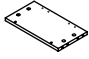
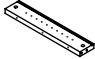
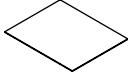
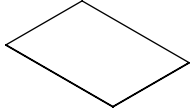

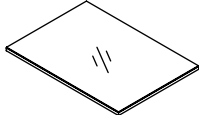
## PARTS IDENTIFICATION

A	VANITY LEFT SIDE PANEL		1 PC	I	RIGHT DRAWER FRONT PANEL		1 PC
B	VANITY RIGHT SIDE PANEL		1 PC	J	LEFT DRAWER SIDE PANEL		2 PCS
C	VANITY MIDDLE DIVIDER PANEL		1 PC	K	RIGHT DRAWER SIDE PANEL		2 PCS
D	VANITY BACK PARTITION PANEL		1 PC	L	DRAWER BACK PANEL		2 PCS
E	VANITY TOP PANEL		1 PC	M	SHORT PARTITION PANEL		2 PCS
F	VANITY BACK TOP PANEL		1 PC	N	LONG PARTITION PANEL		1 PC
G	VANITY BACK MIDDLE PANEL		1 PC	O	VANITY BACK BOTTOM PANEL		1 PC
H	LEFT DRAWER FRONT PANEL		1 PC	P	VANITY FRONT BOTTOM PANEL		1 PC

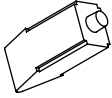

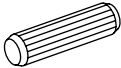

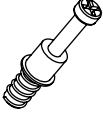

### NOTE:

Phillips head screw driver is required in the assembly process; however, manufacturer does not provide this item.

# ITEM: 930280

Q	MIRROR LEFT SIDE PANEL		1 PC	A2	STOOL SIDE PANEL		2 PCS
R	MIRROR RIGHT SIDE PANEL		1 PC	A3	STOOL BOTTOM PANEL		1 PC
S	MIRROR BOTTOM PANEL		1 PC	A4	STOOL FRONT DIVIDER PANEL		1 PC
T	MIRROR CROSS PANEL		2 PCS	A5	STOOL BACK DIVIDER PANEL		1 PC
U	MIRROR TOP PANEL		1 PC	A6	DRAWER BOTTOM PANEL		2 PCS
V	MIRROR BACK PANEL		1 PC	A7	STOOL SEAT CUSHION		1 PC
A1	MIRROR		1 PC				

## HARDWARE IDENTIFICATION

Z	HARDWARE IDENTIFICATION						
NO	DESCRIPTION	FIGURE	Q'TY	NO	DESCRIPTION	FIGURE	Q'TY
1	GLUE 40g		1 PC	4	CAM LOCK Ø 15x12mm		34 PCS
2	WOODEN DOWEL Ø 8x30mm		41 PCS	5	LONG SCREW Ø 4.3x35mm		8 PCS
3	CAM BOLT Ø7 x 35.5mm SR		34 PCS	6	PLASTIC FEET Ø 15mm		8 PCS

### NOTE:

Phillips head screw driver is required in the assembly process; however, manufacturer does not provide this item.

# ITEM:930280

## HARDWARE IDENTIFICATION

Z								
NO	DESCRIPTION	FIGURE	Q'TY	NO	DESCRIPTION	FIGURE	Q'TY	
7	HOOK		10 PCS	17	LARGE BOLT Ø 4.5x22mm		2 PCS	
8	HANDLE L =120mm		2 PCS	18	METAL PLATE 4.5x12.3x1.2mm		2 PCS	
9	HANDLE BOLT Ø 4x28mm		4 PCS	19	METAL PLATE SCREW Ø 3x15mm		4 PCS	
10	EURO SLIDE L = 350mm		2 SET	20	BACK PANEL SUPPORT		8 PCS	
11	SCREW Ø3x10mm SR		24 PCS	21	BACK PANEL SUPPORT SCREW Ø3 x 19mm SR		8 PCS	
12	DUAL EXTENSION SLIDE L = 375mm		1 SET	22	SCREW Ø 4.5x42mm SR		1 PC	
13	SCREW FOR DUAL EXTENSION SLIDE Ø 3.5x12mm SR		12 PCS	23	SCREW DRIVER		1 PC	
14	HINGE		2 PCS	24	STICKER Ø 20mm		6 PCS	
15	HINGE SCREW Ø 4x15mm		14 PCS	25	RING BOX		1 PC	
16	PIPE THREAD Ø 6.2x47mm		2 PCS					

Z8,Z9,Z10,Z12,Z14,Z25 not included in blister packaging.

**NOTE:**

Phillips head screw driver is required in the assembly process; however, manufacturer does not provide this item.

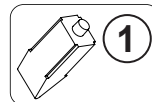


ITEM: 930280

**COASTER**<sup>®</sup>

FINE FURNITURE

**STEP 2**

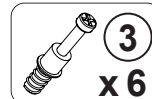


1



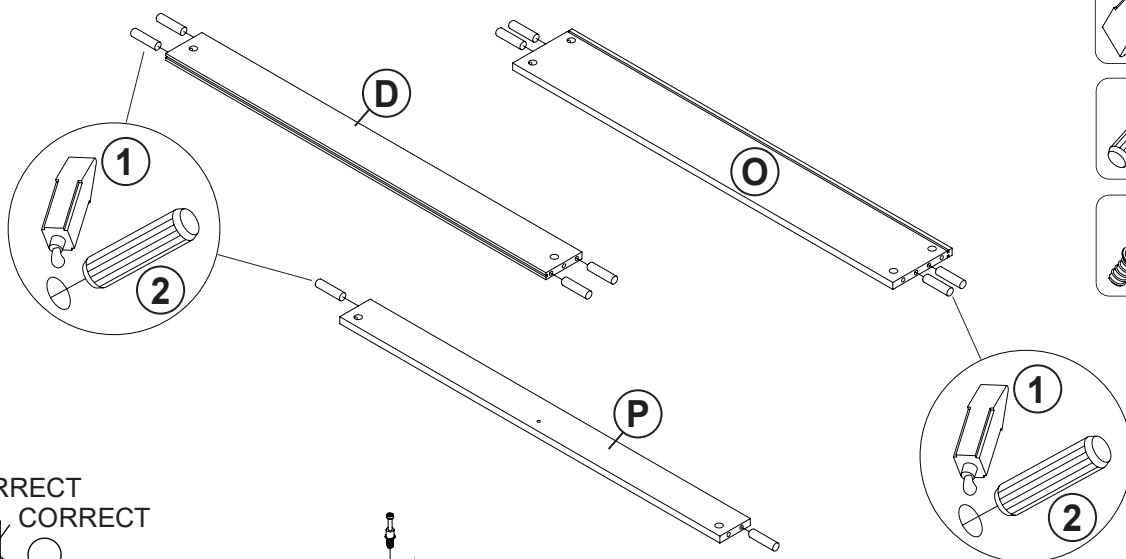
2

x 10

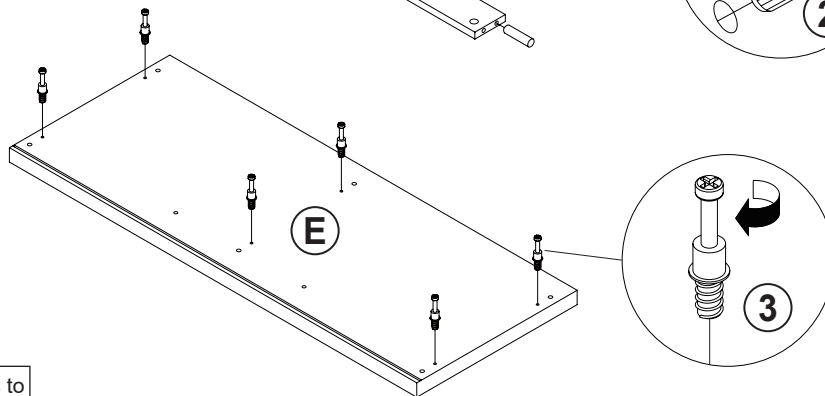
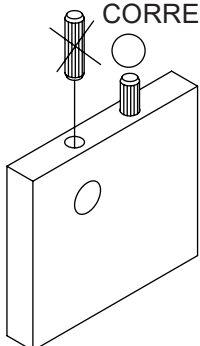


3

x 6



INCORRECT  
CORRECT



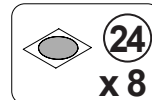
Apply glue on all wooden dowels to ensure integrity of the structure.

**STEP 3**



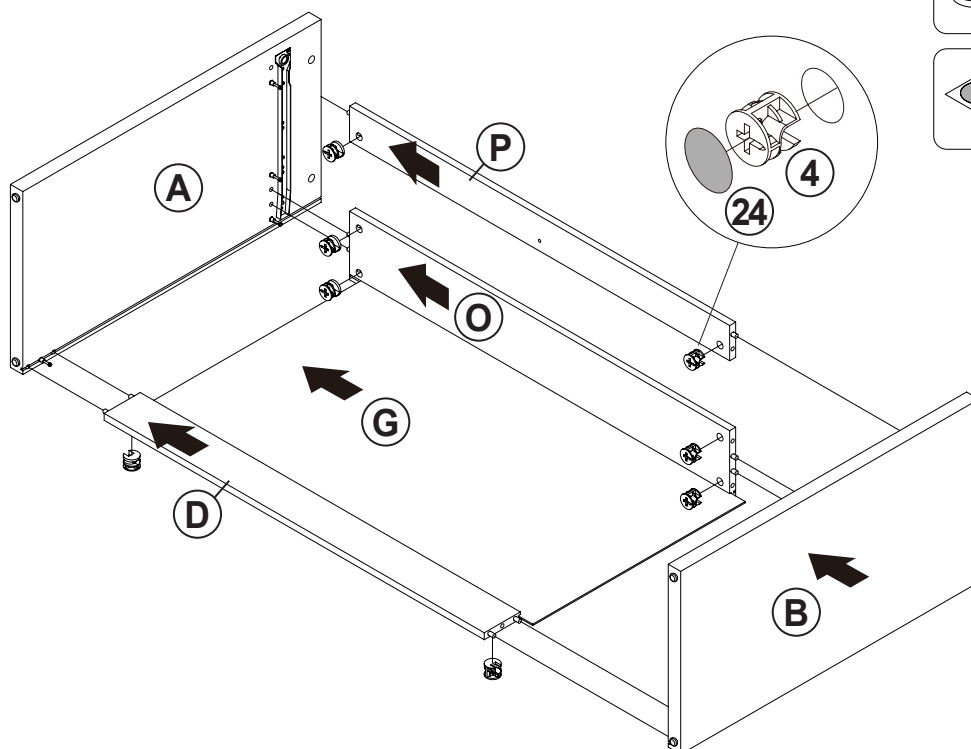
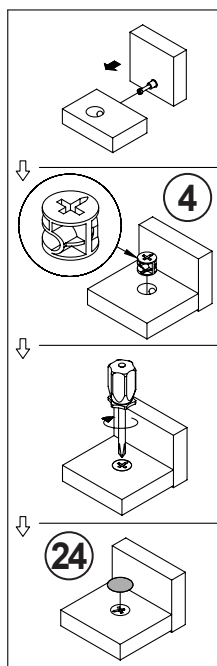
4

x 8



24

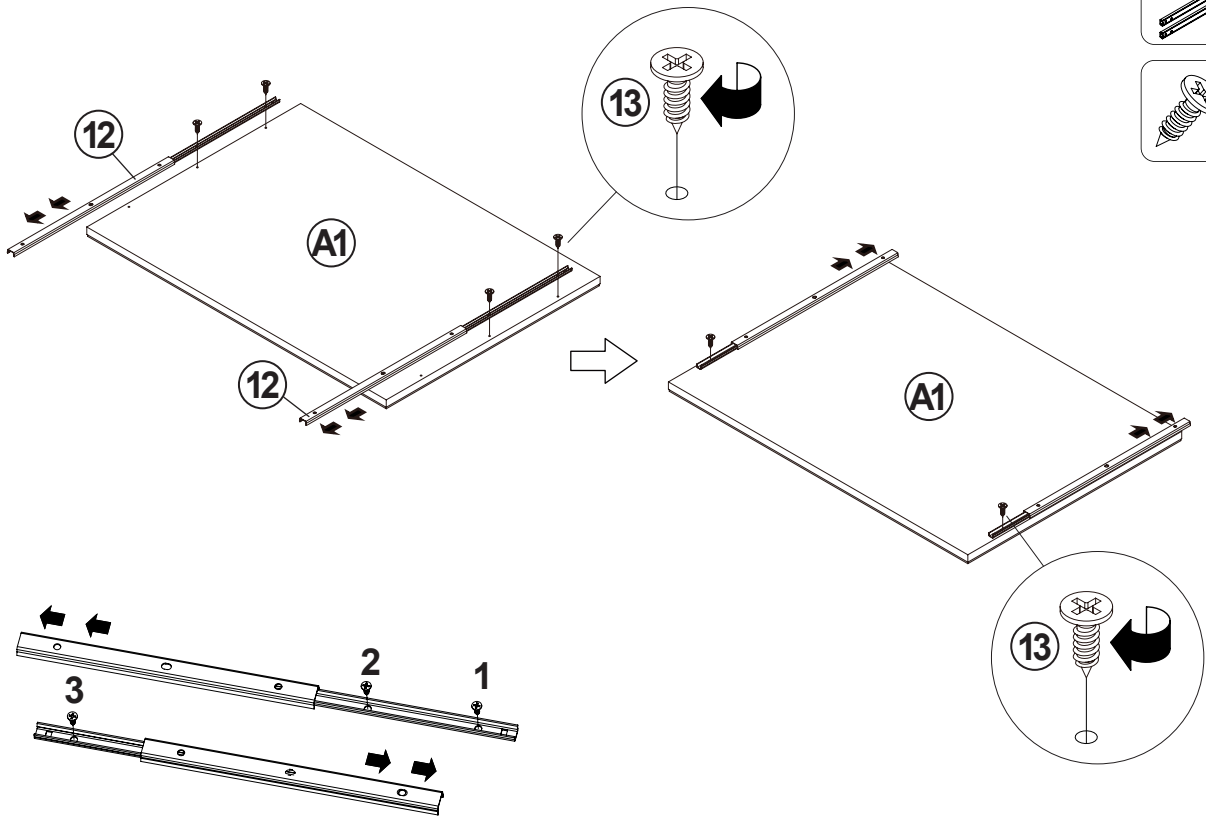
x 8



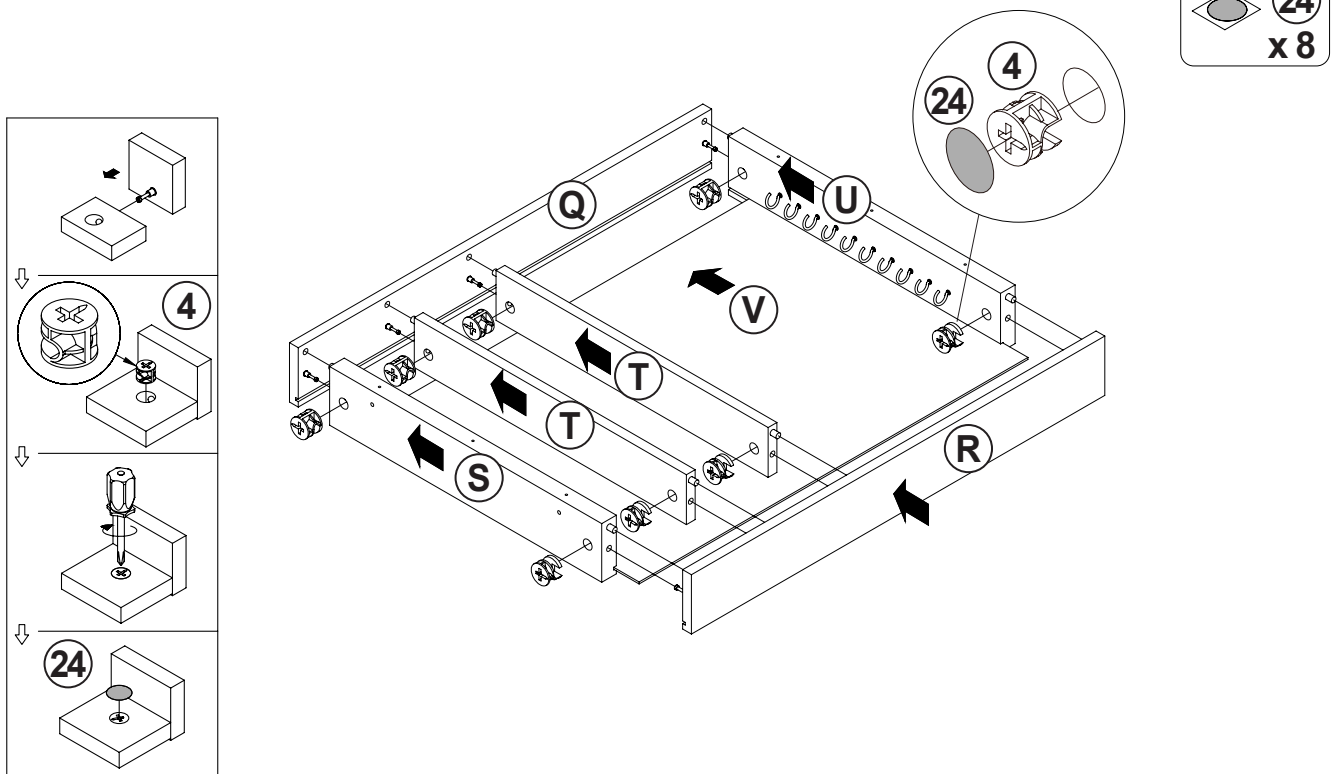


ITEM: 930280

**STEP 6**



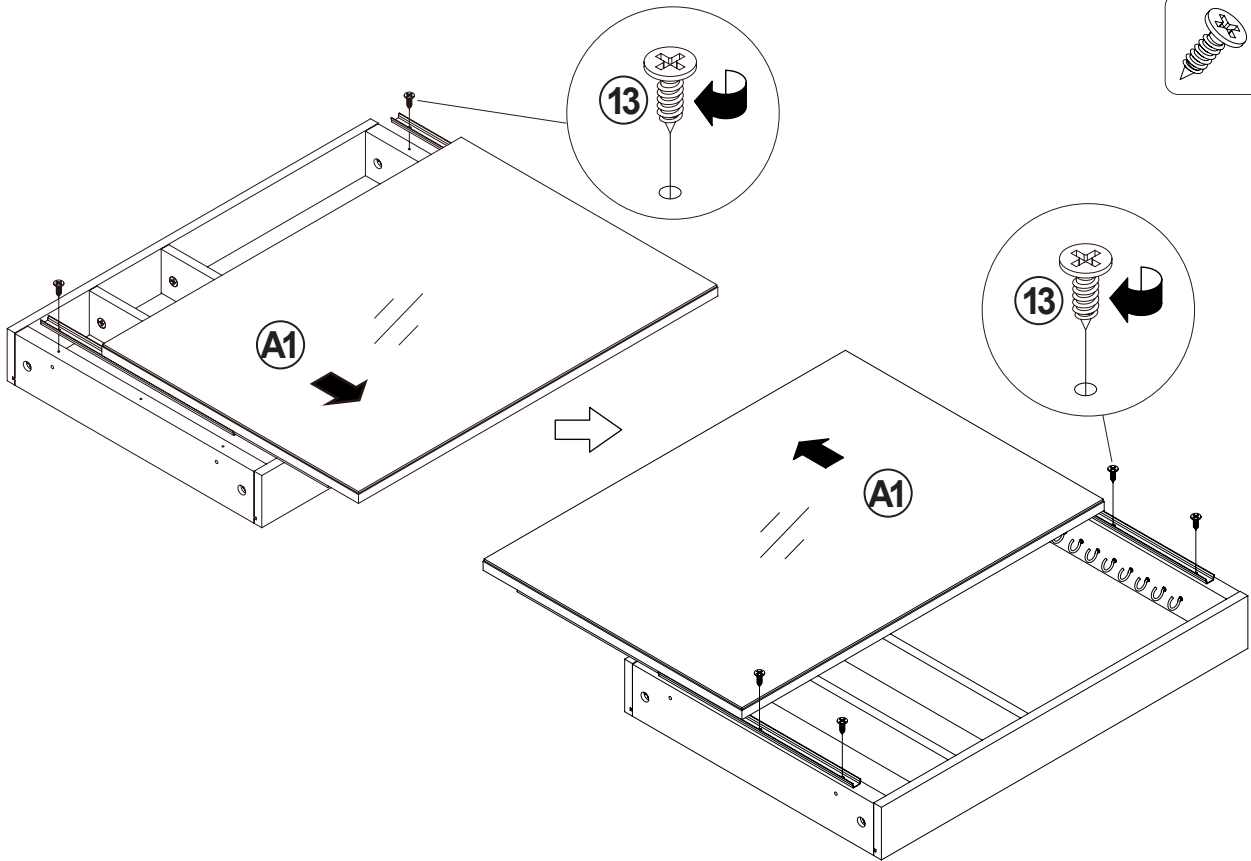
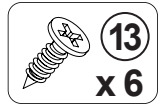
**STEP 7**



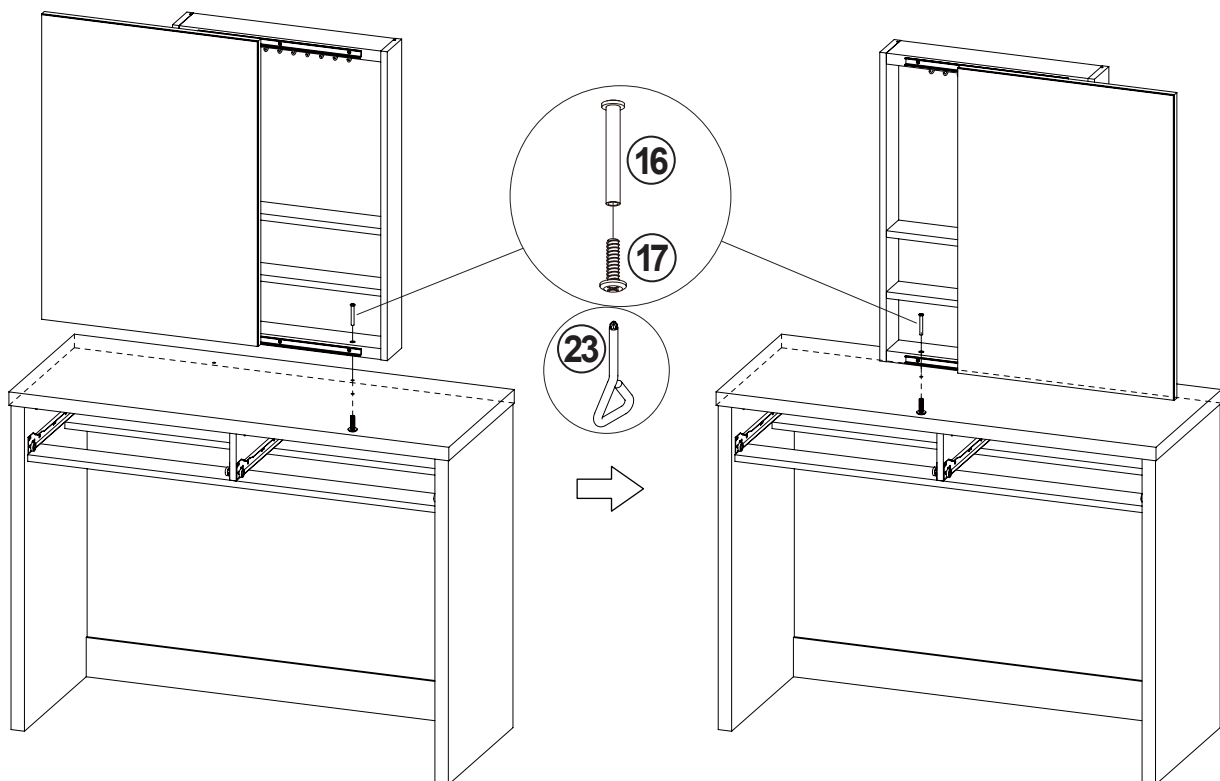
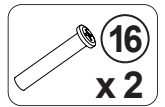
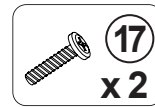
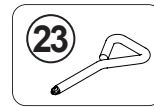
ITEM: 930280

**COASTER**  
FINE FURNITURE

**STEP 8**

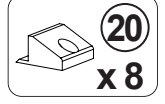
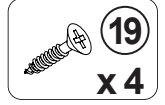
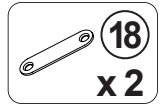
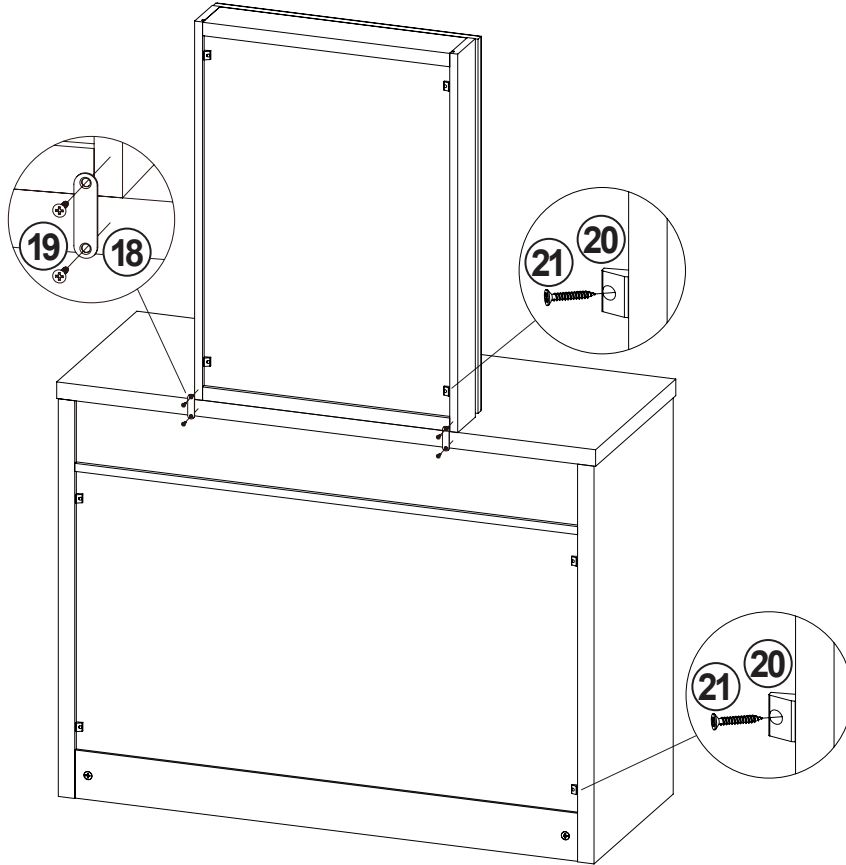
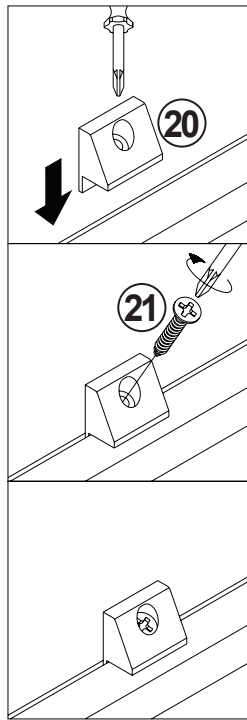


**STEP 9**

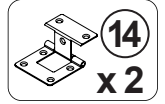
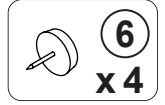
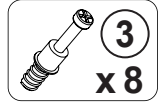
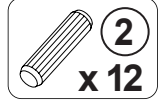
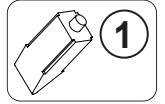
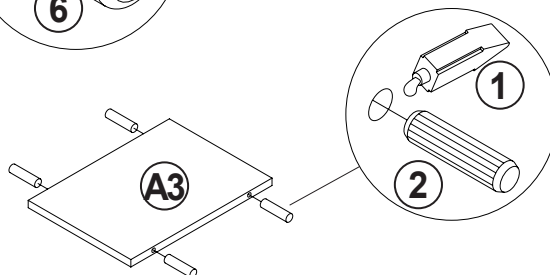
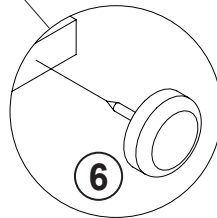
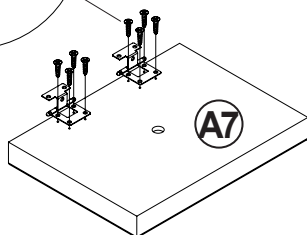
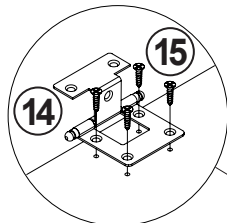
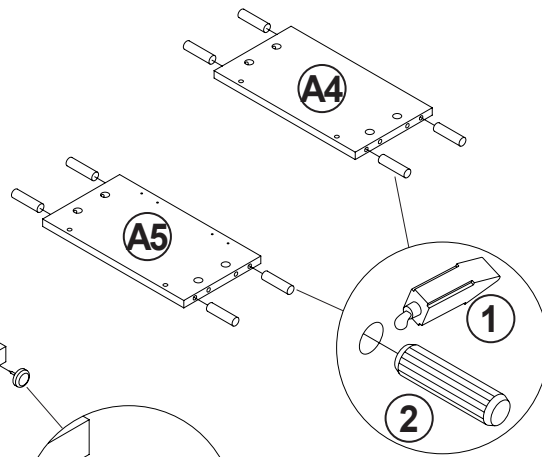
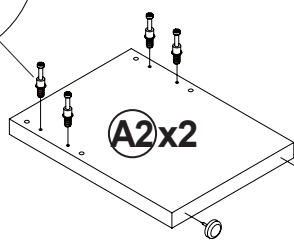
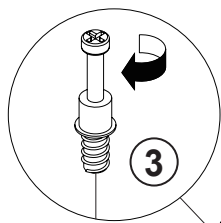


ITEM: 930280

**STEP 10**

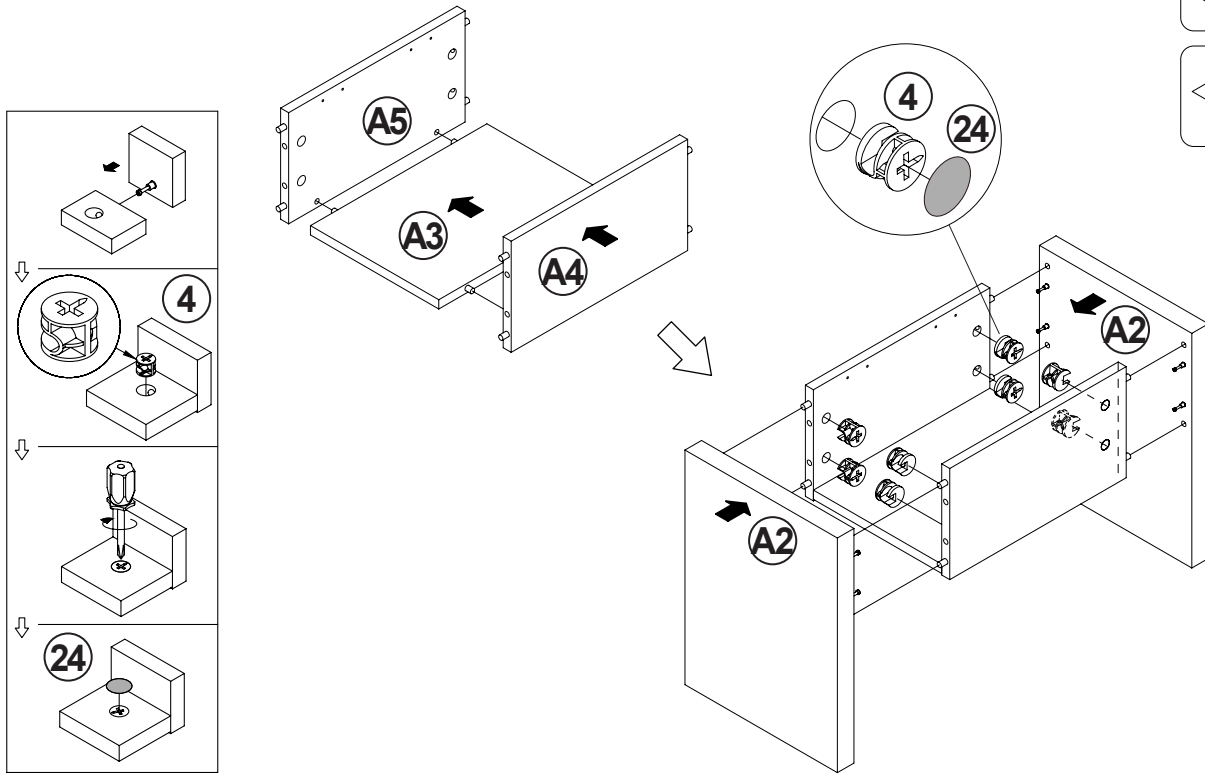


**STEP 11**

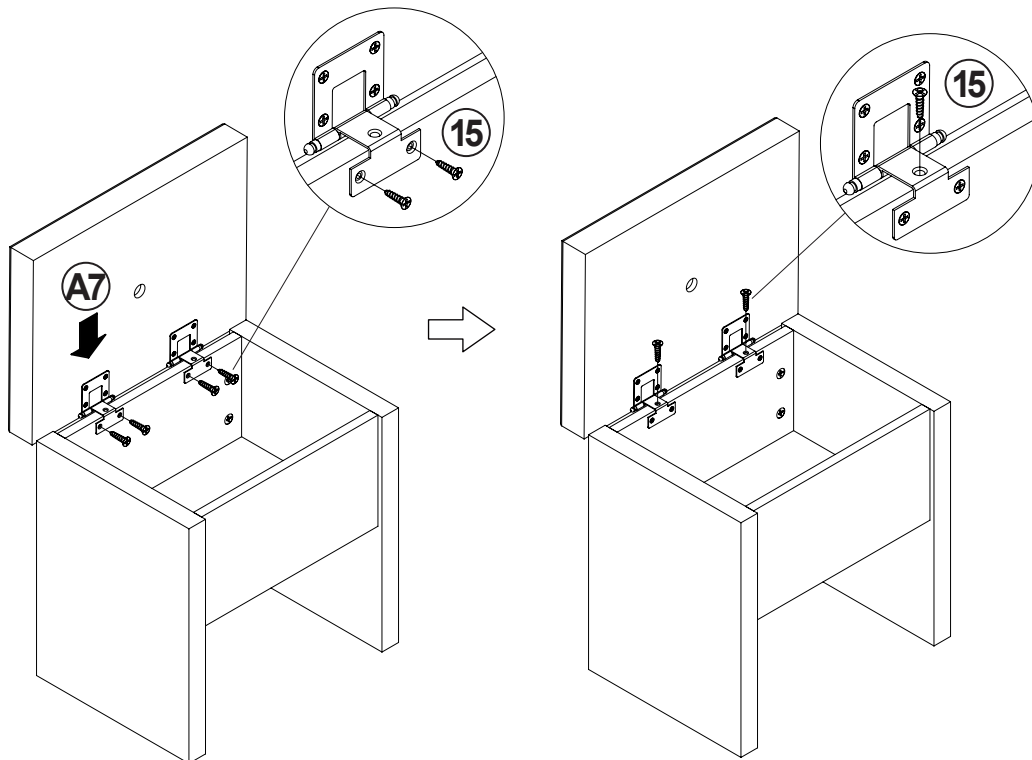


ITEM: **930280**

**STEP 12**

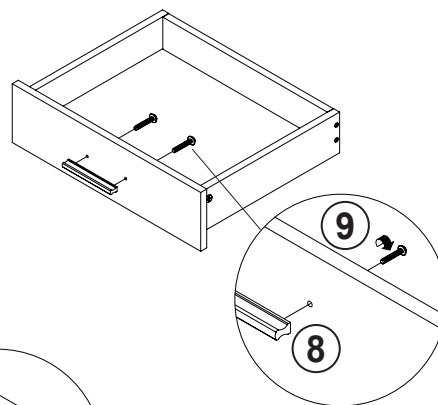
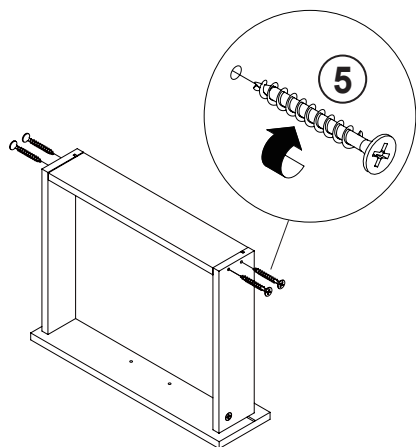
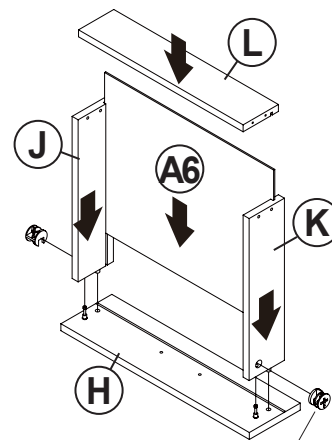
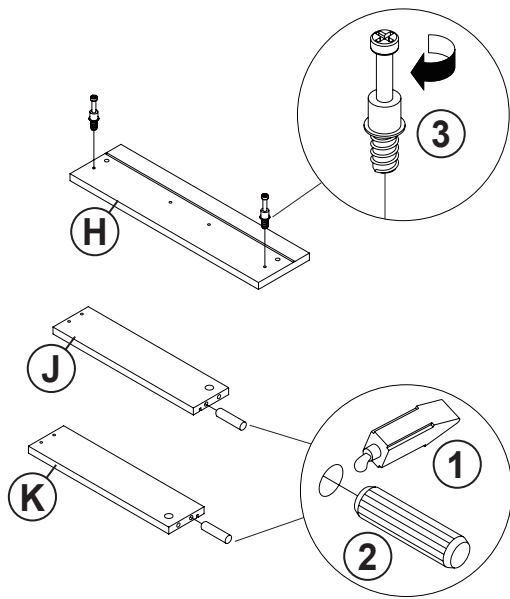



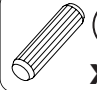


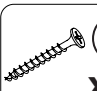
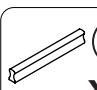

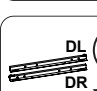
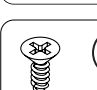
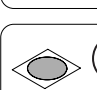
**STEP 13**

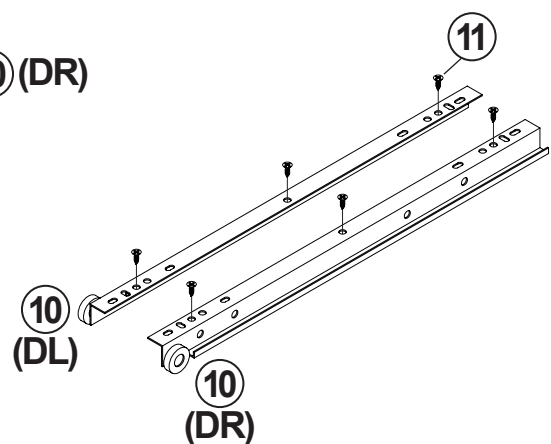
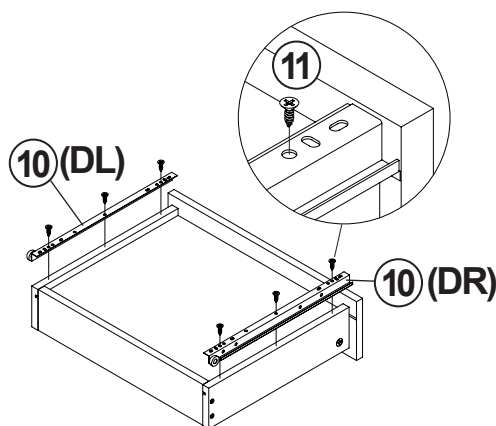
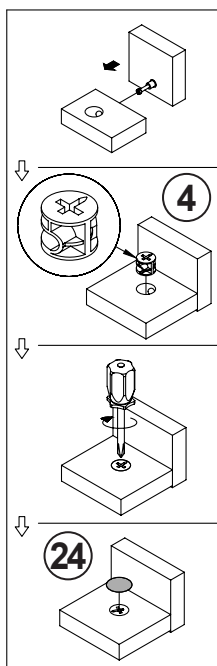


ITEM: 930280

STEP 14

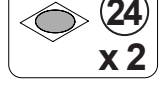
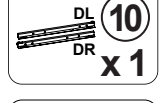
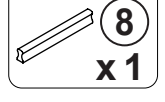
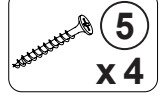
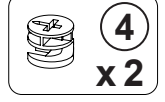
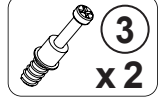
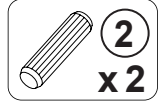
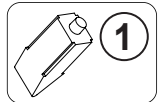
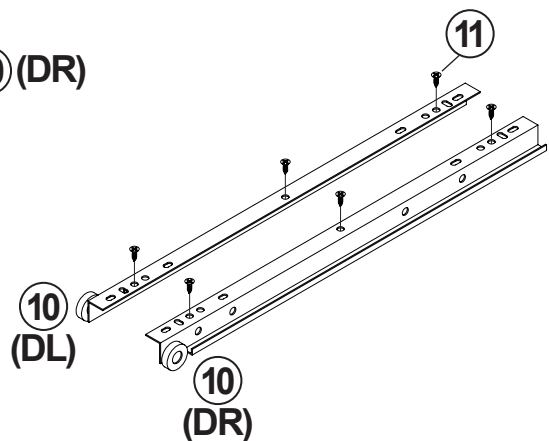
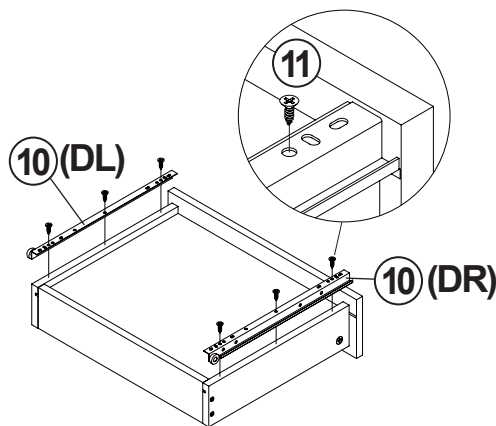
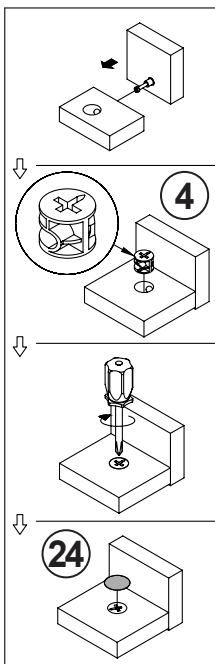
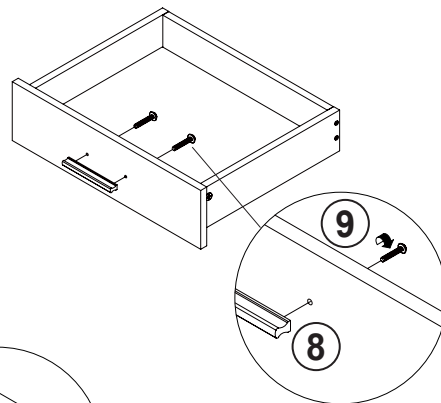
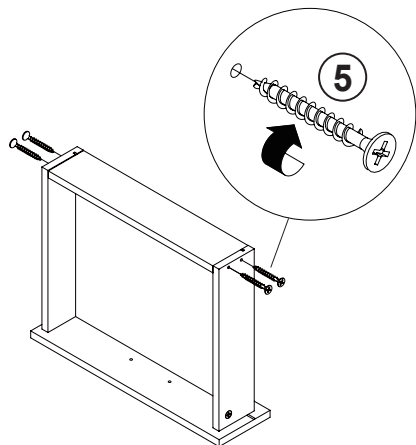
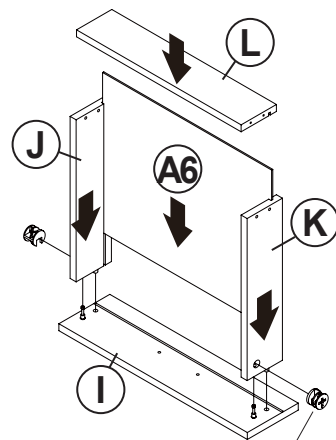
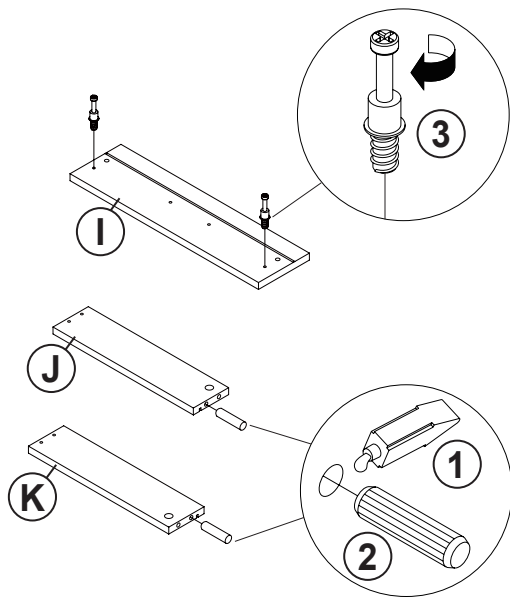


-  1
-  2  
x 2
-  3  
x 2
-  4  
x 2
-  5  
x 4
-  8  
x 1
-  9  
x 2
-  10  
DL  
DR  
x 1
-  11  
x 6
-  24  
x 2



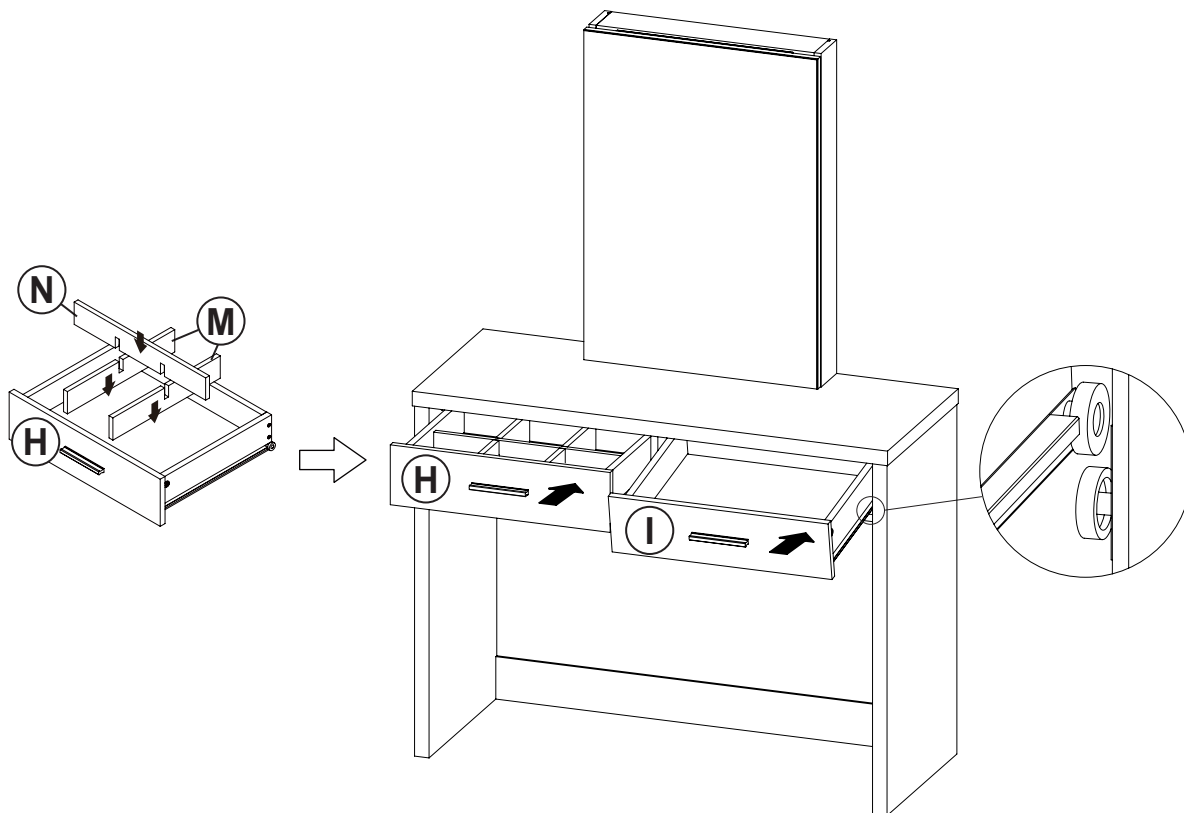
ITEM: 930280

**STEP 15**



ITEM: **930280**

**STEP 16**



**STEP 17**

