

*ASSEMBLY INSTRUCTIONS  
COASTER FINE FURNITURE*



*Fine Furniture for every stage of life*

**930301**  
**SIDE TABLE**

# ITEM:930301

## ASSEMBLY INSTRUCTIONS

### ASSEMBLY TIPS:

1. Remove hardware from box and sort by size.
2. Please check to see that all hardware and parts are present prior to start of assembly.
3. Please follow attached instructions in the same sequence as numbered to assure fast & easy assembly.



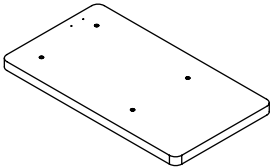
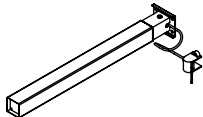
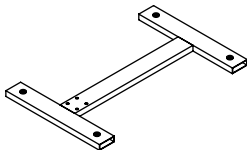
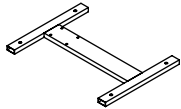
### WARNING!

1. Don't attempt to repair or modify parts that are broken or defective. Please contact the store immediately.
2. This product is for home use only and not intended for commercial establishments.

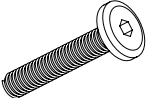
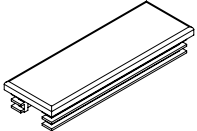
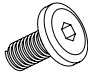
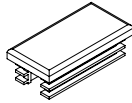
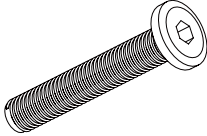
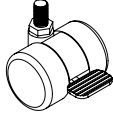

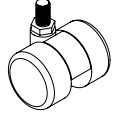
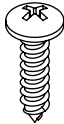
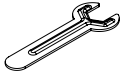
ASSEMBLY TIME

30 MINUTES

## PARTS IDENTIFICATION

<p><b>A</b>      <b>TOP</b></p>  <p>1 PC</p>	<p><b>C</b>      <b>LIFTING POLE</b></p>  <p>1 PC</p>
<p><b>B</b>      <b>BASE FRAME</b></p>  <p>1 PC</p>	<p><b>D</b>      <b>TOP FRAME</b></p>  <p>1 PC</p>

## HARDWARE IDENTIFICATION

Z							
NO	DESCRIPTION	FIGURE	Q'TY	NO	DESCRIPTION	FIGURE	Q'TY
1	<b>BOLT</b> M6x33mm BLK		4 PCS	6	<b>FLOOR PROTECTOR</b> 60x20mm		4 PCS
2	<b>BOLT</b> M6x15mm BLK		4 PCS	7	<b>FLOOR PROTECTOR</b> 30x15mm		4 PCS
3	<b>BOLT</b> M6x43mm BLK		4 PCS	8	<b>LOCKING CASTER</b>		2 PCS
4	<b>ALLEN WRENCH</b> 4mm SR		1 PC	9	<b>CASTER</b>		2 PCS
5	<b>SCREW</b> Ø5x23mm BLK		2 PCS	10	<b>SPANNER</b>		1 PC

Z8,Z9,Z10 not included in blister packaging.

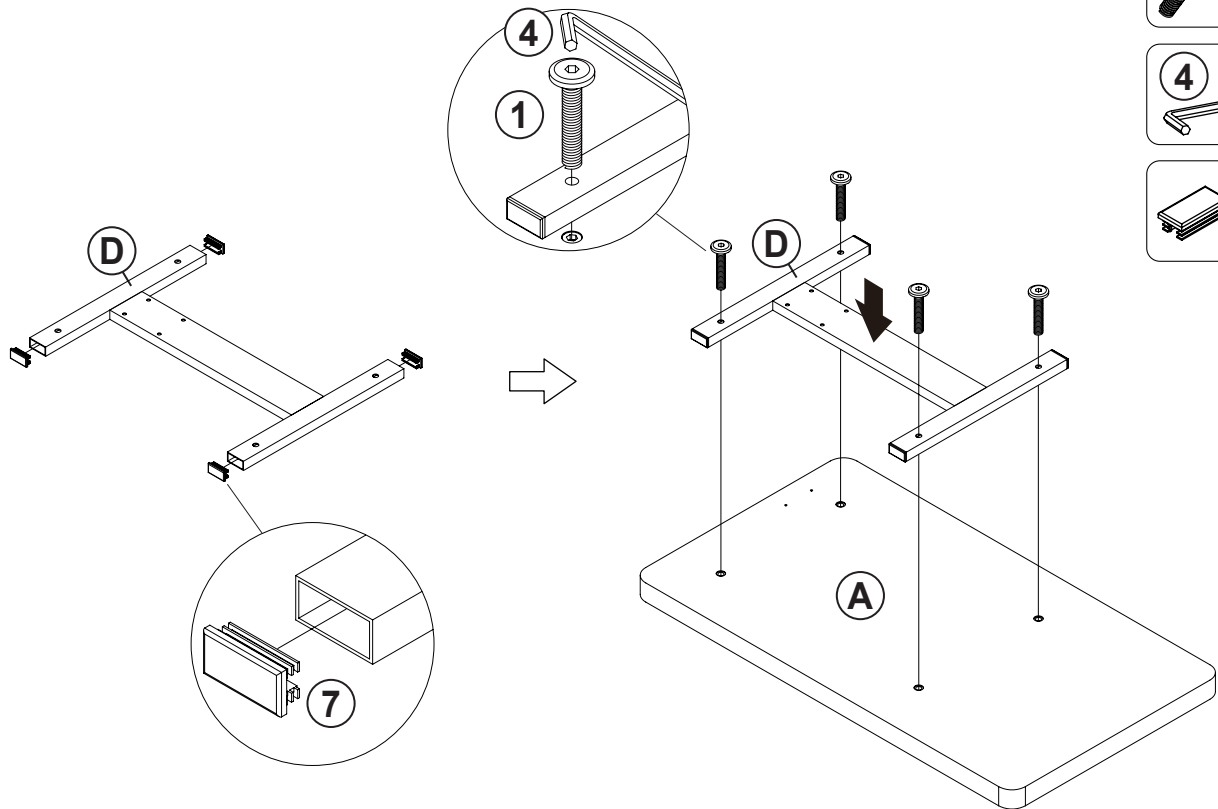
### NOTE:

Phillips head screw driver is required in the assembly process; however, manufacturer does not provide this item.

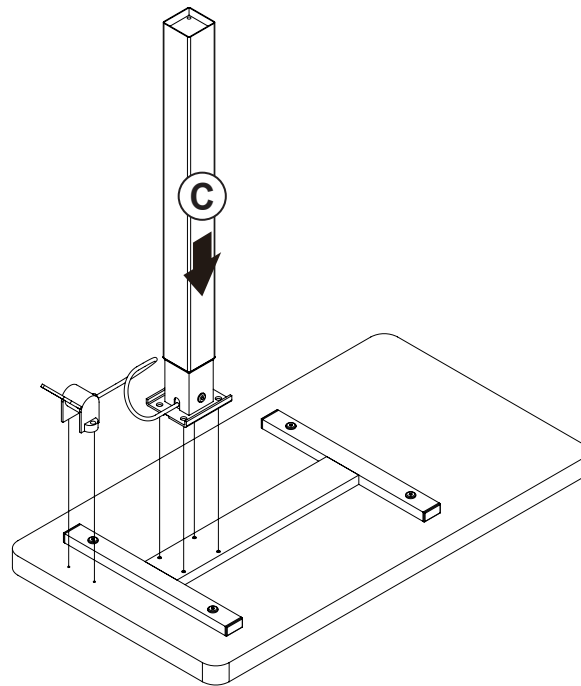
ITEM: 930301

**COASTER**  
FINE FURNITURE

**STEP 1**



**STEP 2**

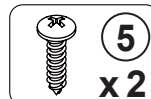
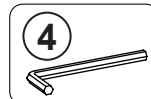
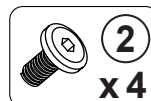
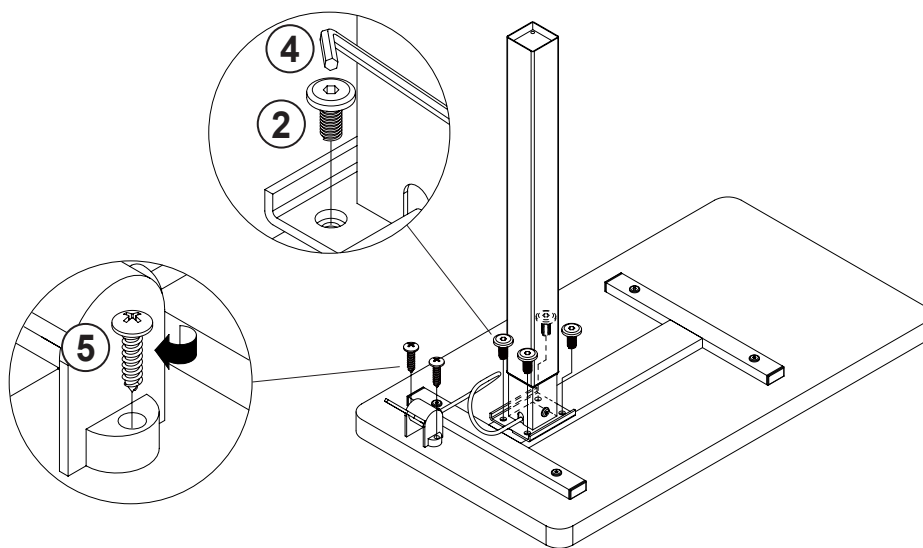


ITEM: 930301

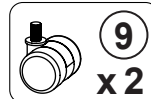
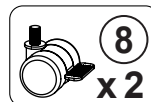
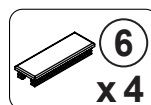
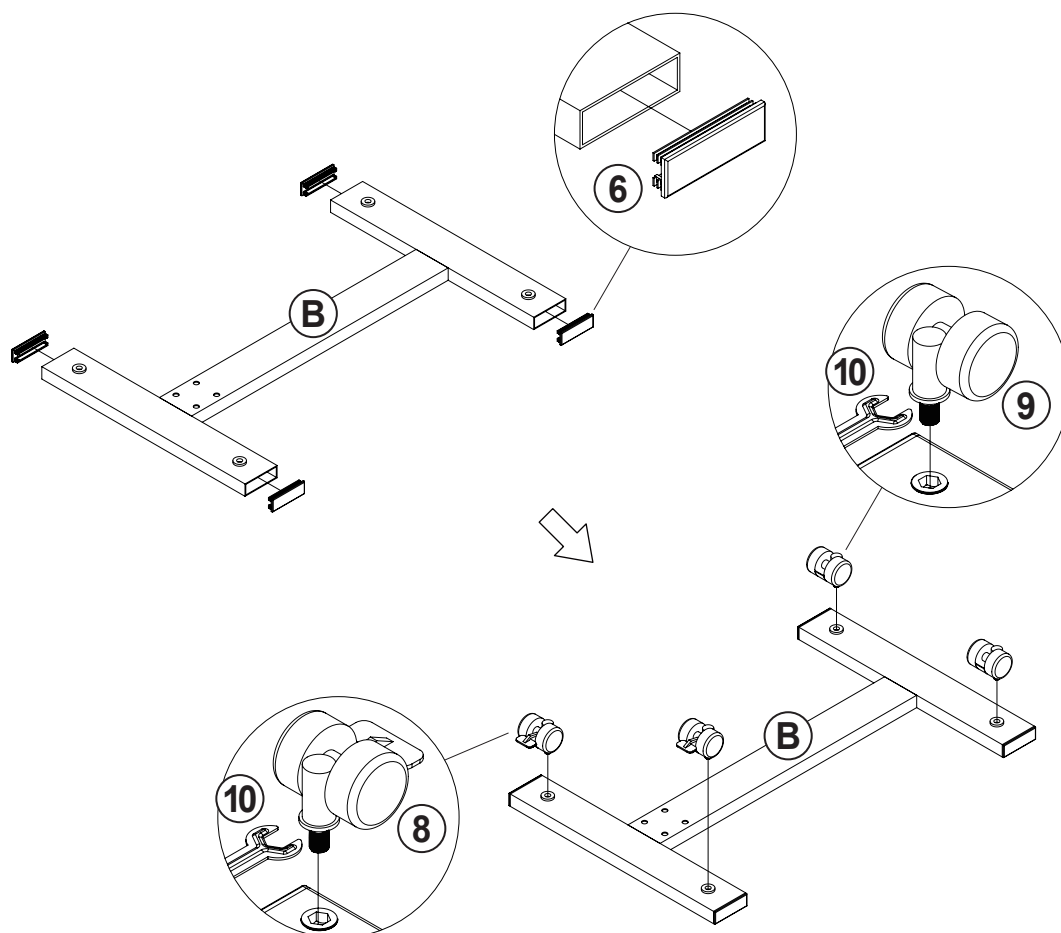
**STEP 3**

**COASTER**<sup>®</sup>

FINE FURNITURE



**STEP 4**

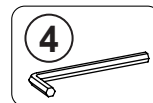
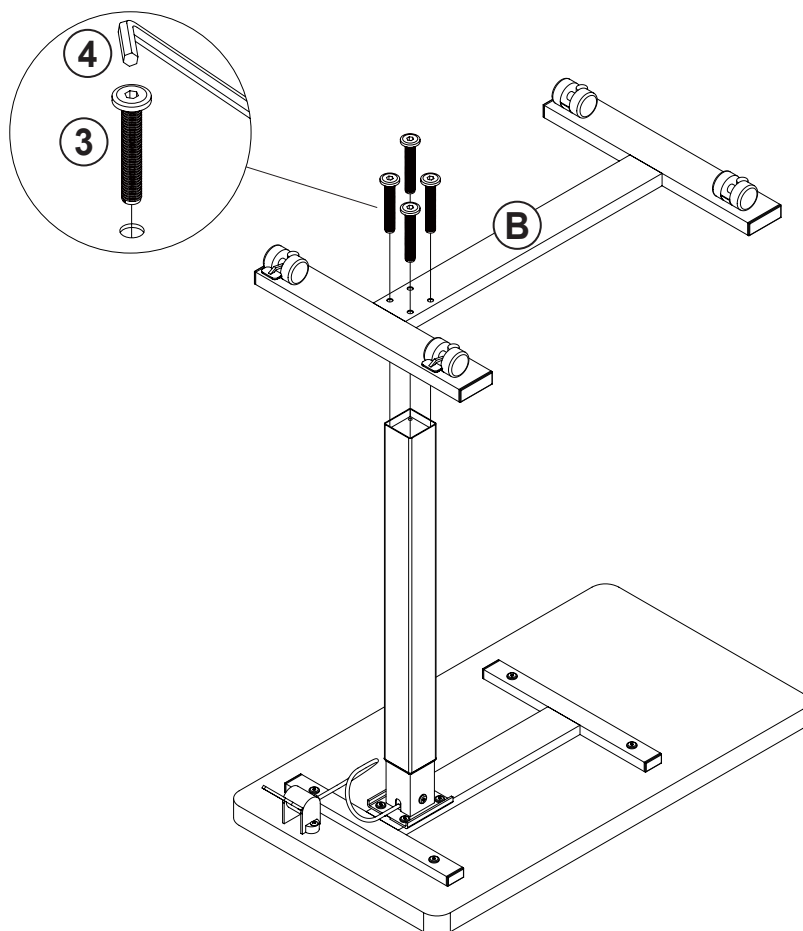


ITEM: **930301**

**COASTER**<sup>®</sup>

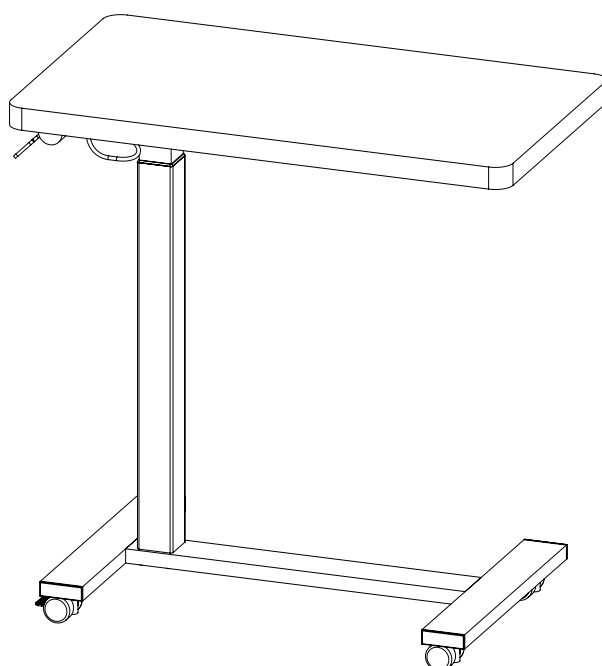
FINE FURNITURE

**STEP 5**



**STEP 6**

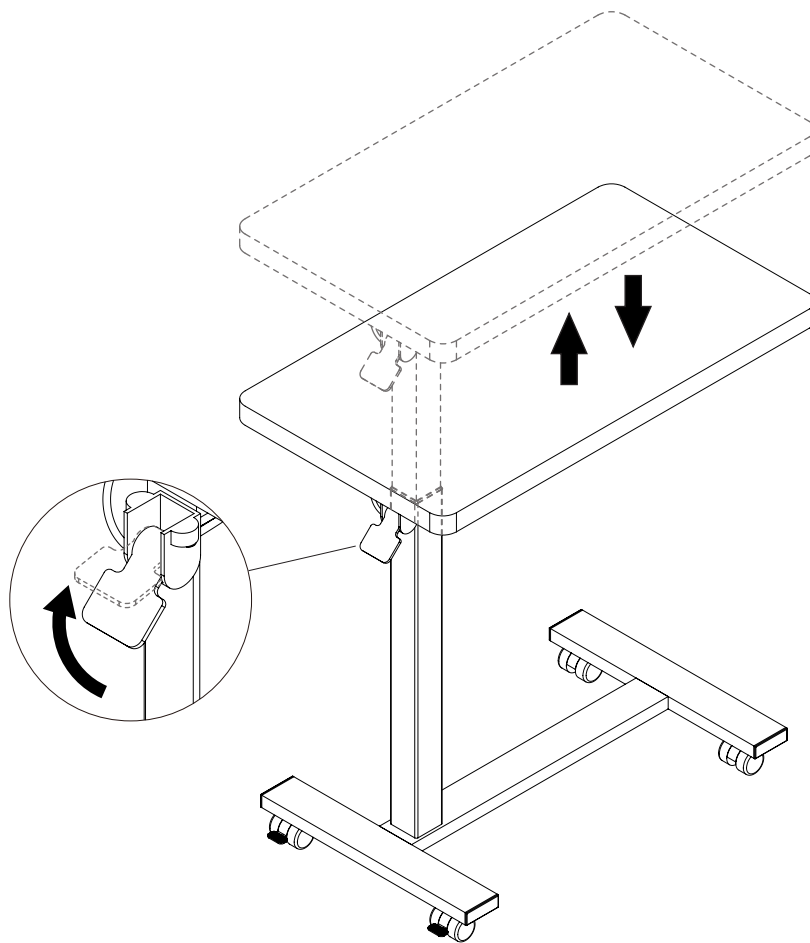
**COMPLETE**



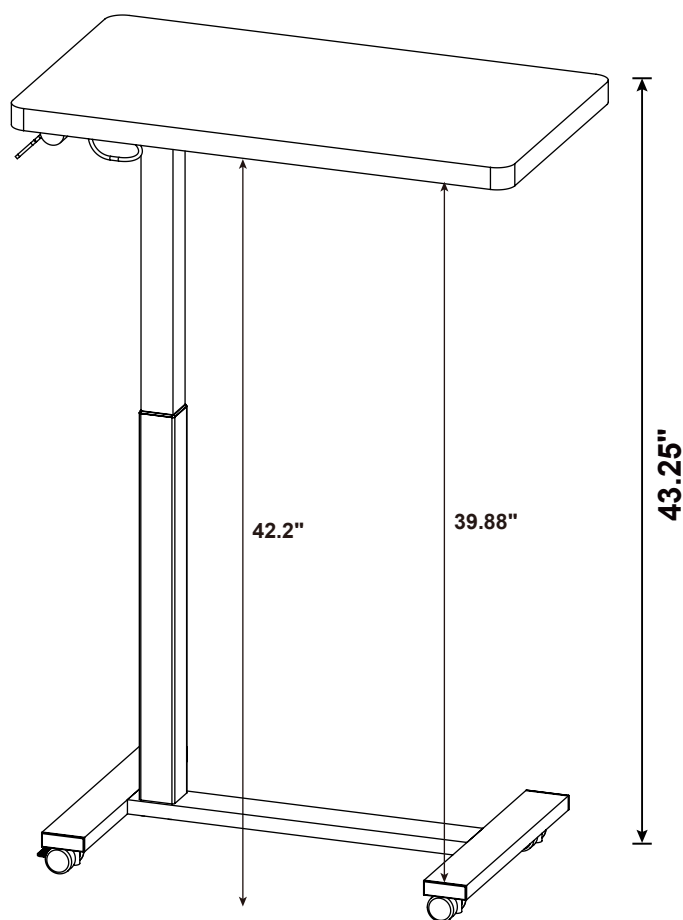
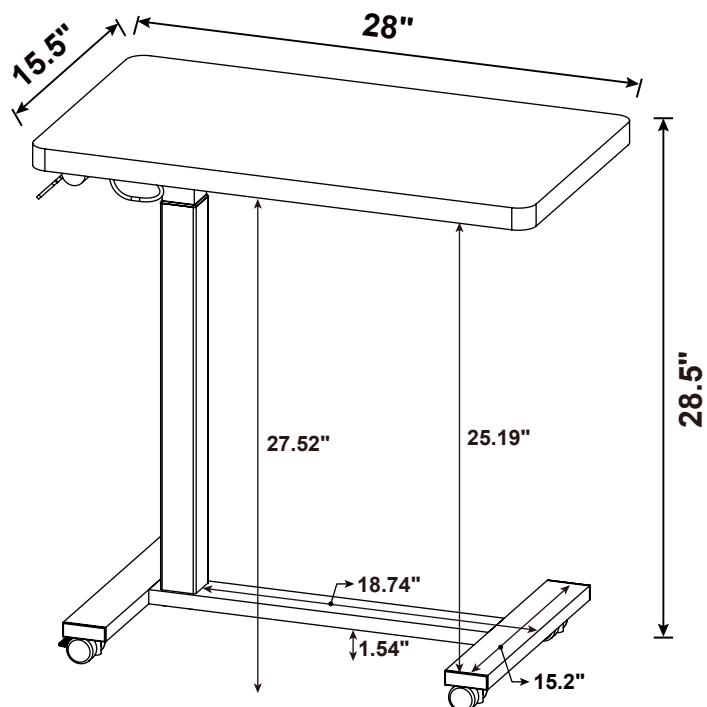
ITEM: **930301**

**STEP 7**

**HANDLE USE MANUAL**



ITEM:930301



Note : Dimension tolerance  $\pm 5\%$