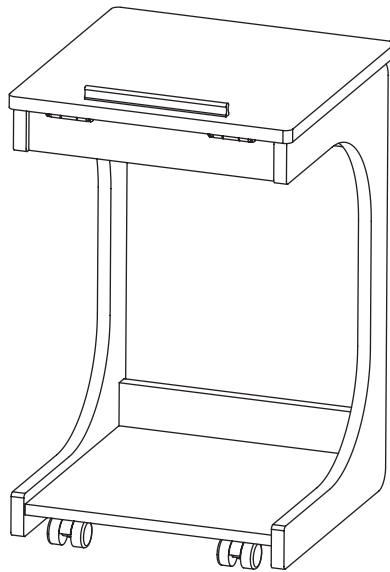


**ASSEMBLY INSTRUCTIONS**  
**COASTER FINE FURNITURE**



*Fine Furniture for every stage of life*

**930291**  
**SIDE TABLE**

# ITEM: 930291

## ASSEMBLY INSTRUCTIONS

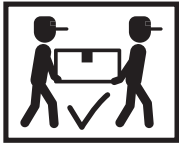
### ASSEMBLY TIPS:

1. Remove hardware from box and sort by size.
2. Please check to see that all hardware and parts are present prior to start of assembly.
3. Please follow attached instructions in the same sequence as numbered to assure fast & easy assembly.



### WARNING!

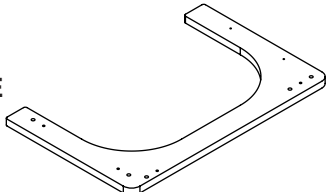
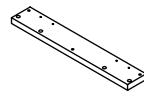
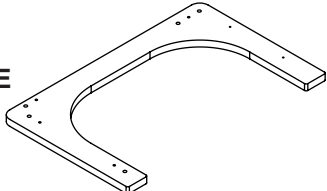
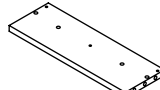
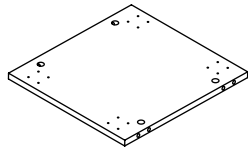
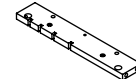
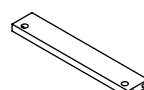
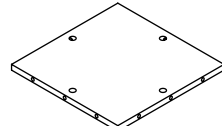
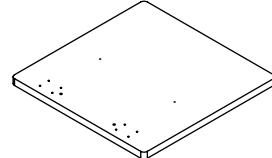
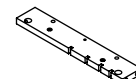
1. Don't attempt to repair or modify parts that are broken or defective. Please contact the store immediately.
2. This product is for home use only and not intended for commercial establishments.



ASSEMBLY TIME

30 MINUTES

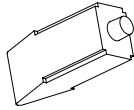

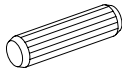

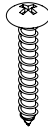
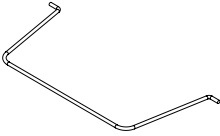
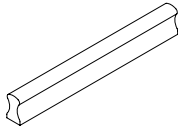

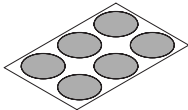
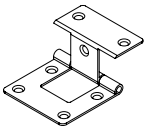
## PARTS IDENTIFICATION

A	LEFT SIDE PANEL		1 PC	F	UPPER CROSS BRACE		1 PC
B	RIGHT SIDE PANEL		1 PC	G	BACK TOP PANEL		1 PC
C	BOTTOM PANEL		1 PC	H	SMALL LEFT SIDE PANEL		1 PC
D	BACK BOTTOM PANEL		1 PC	I	CROSS PANEL		1 PC
E	TOP PANEL		1 PC	J	SMALL RIGHT SIDE PANEL		1 PC

### NOTE:

Phillips head screw driver is required in the assembly process; however, manufacturer does not provide this item.

**HARDWARE IDENTIFICATION**

Z							
NO	DESCRIPTION	FIGURE	Q'TY	NO	DESCRIPTION	FIGURE	Q'TY
1	GLUE 40g		1 PC	9	HINGE SCREW Ø4x15mm SR		12 PCS
2	WOODEN DOWEL Ø8 x 30mm		22 PCS	10	LOCKING CASTER		2 PCS
3	CAM BOLT Ø7 x 35.5mm		16 PCS	11	CASTER		2 PCS
4	CAM LOCK Ø15 x 12mm		16 PCS	12	SCREW Ø3.5x15mm BLK		18 PCS
5	SCREW Ø4x28mm BLK		4 PCS	13	U-SHAPED METAL ROD		1 PC
6	HANDLE L=200mm BLK		1 PC	14	PLASTIC CLIP		2 PCS
7	HANDLE BOLT Ø4x28mm BLK		2 PCS	15	STICKER Ø20mm		4 PCS
8	HINGE		2 PCS				

Z6, Z7, Z8, Z10, Z11, Z13 not included in blister packaging.

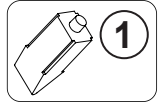
**NOTE:**

Phillips head screw driver is required in the assembly process; however, manufacturer does not provide this item.

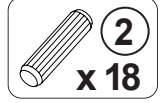
ITEM: 930291

**COASTER**  
FINE FURNITURE

**STEP 1**

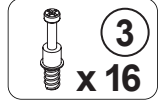


1



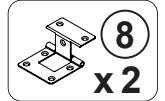
2

x 18



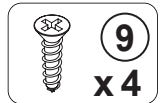
3

x 16



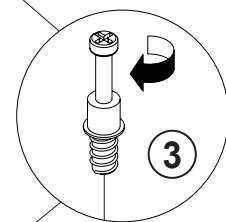
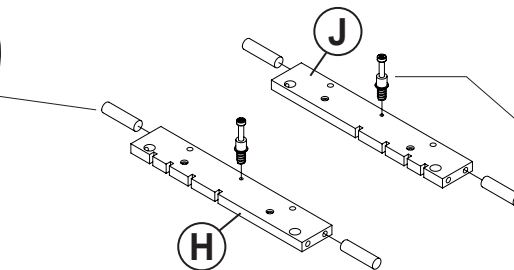
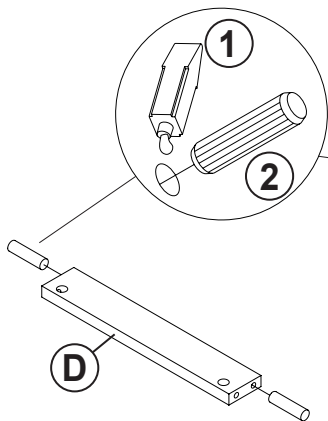
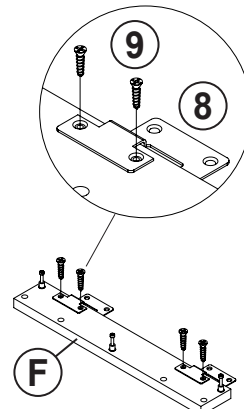
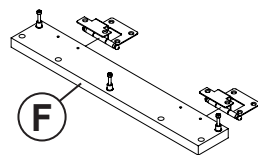
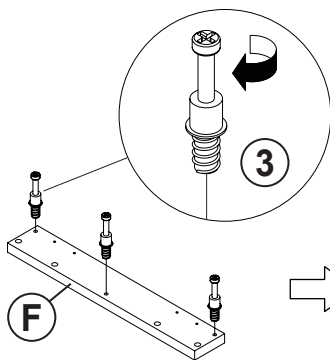
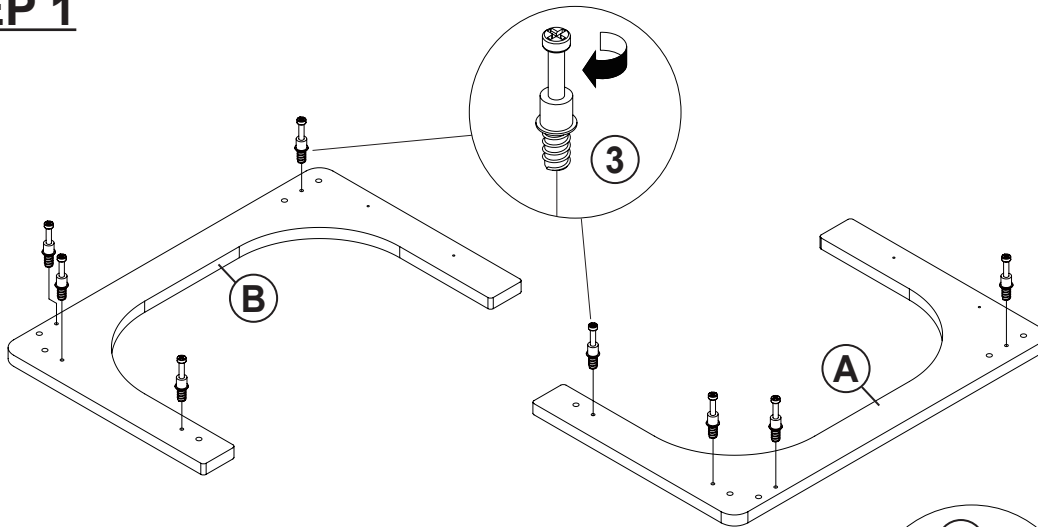
8

x 2

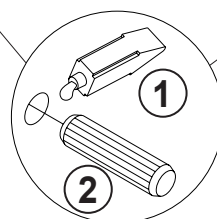
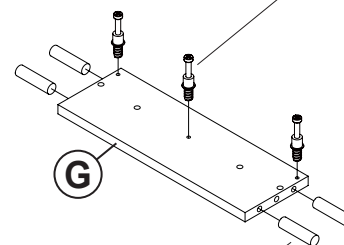
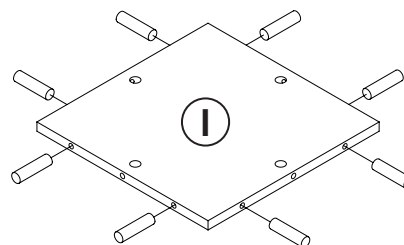
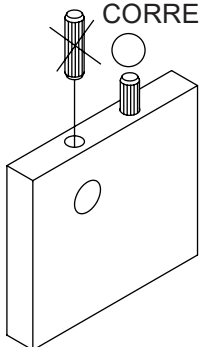


9

x 4



INCORRECT  
CORRECT

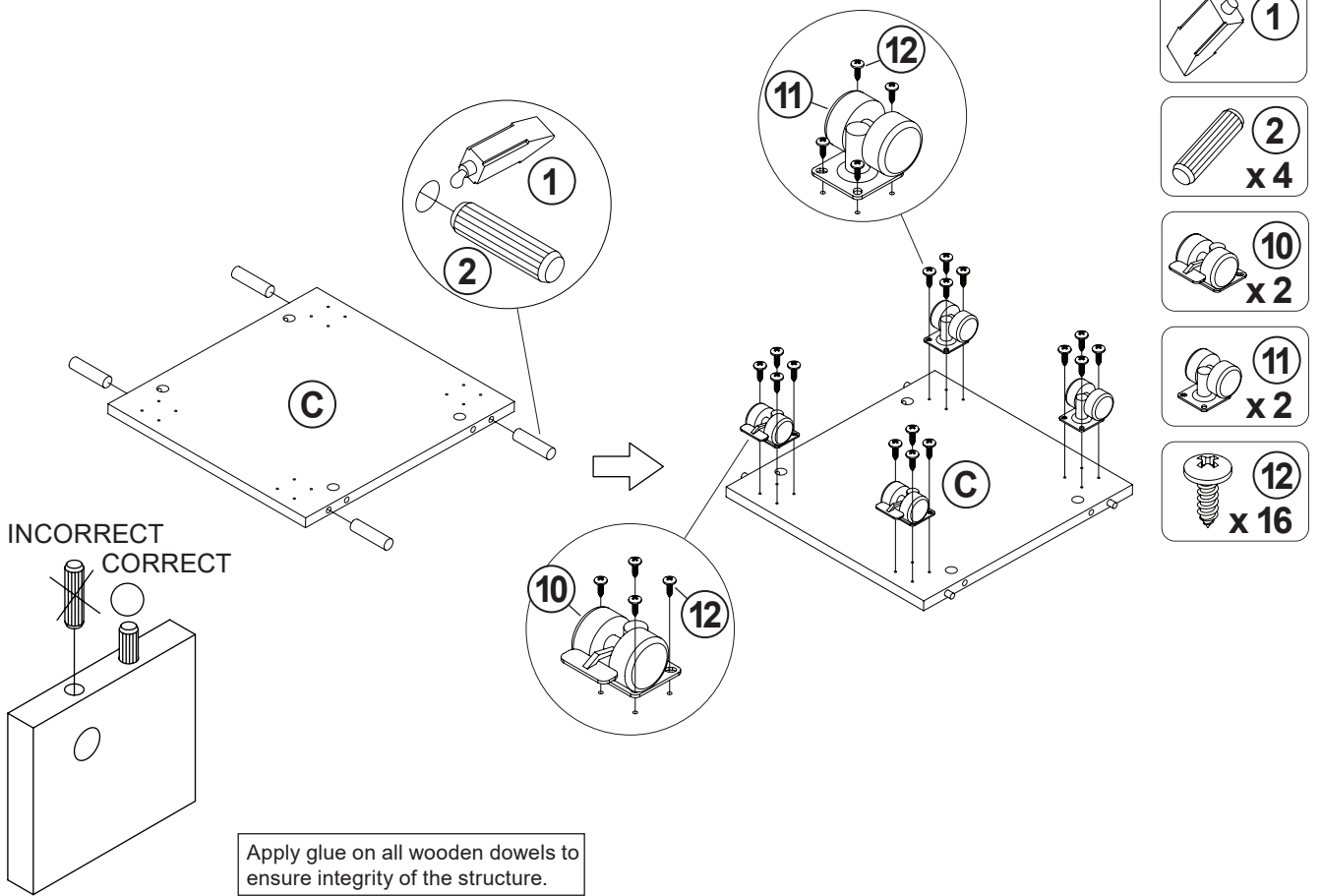


Apply glue on all wooden dowels to ensure integrity of the structure.

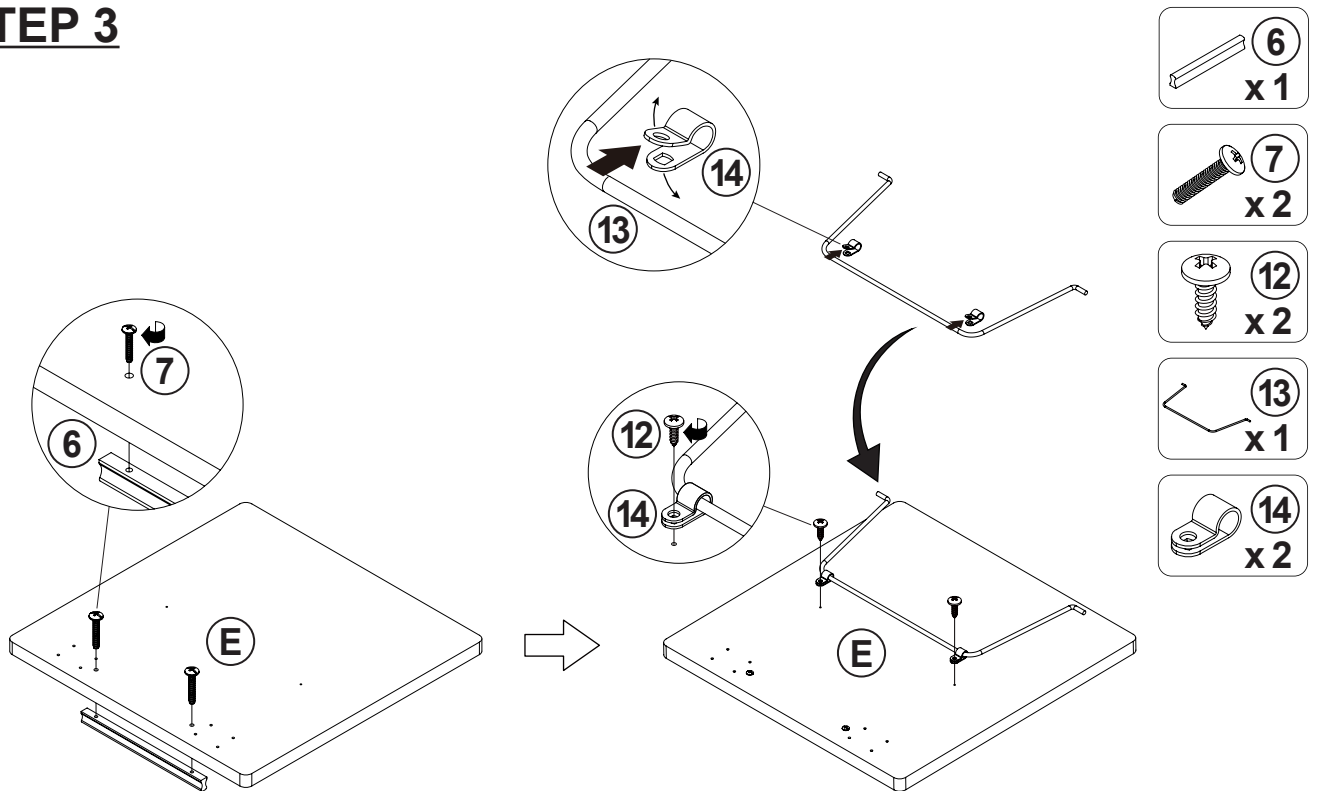
ITEM: **930291**

**COASTER**  
FINE FURNITURE

**STEP 2**

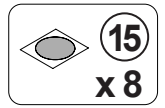
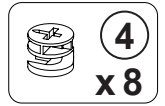
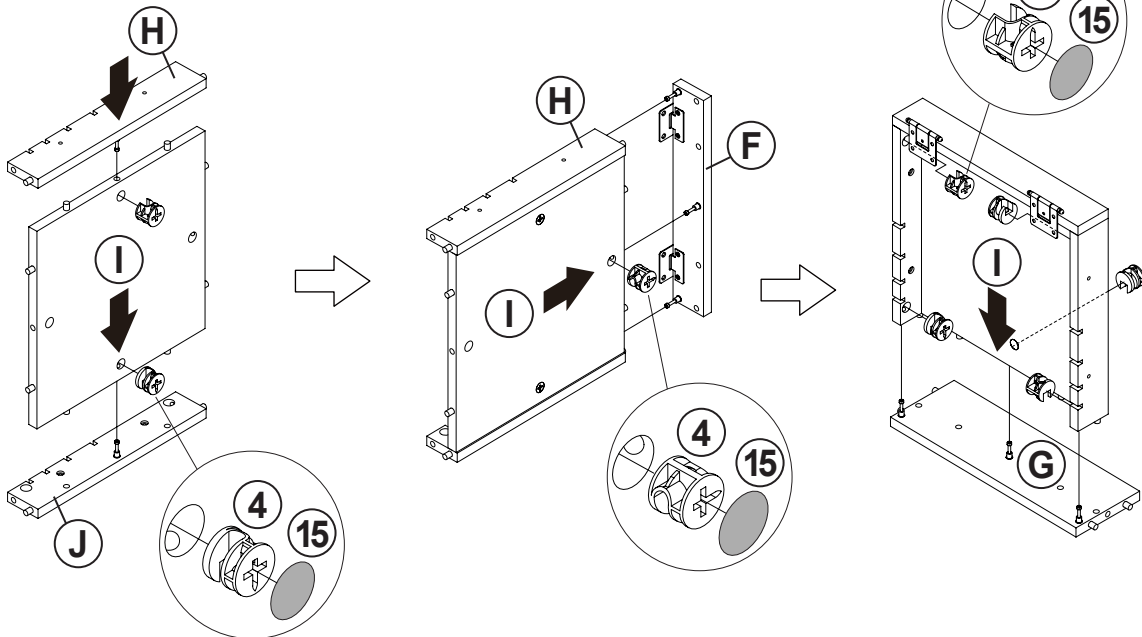


**STEP 3**

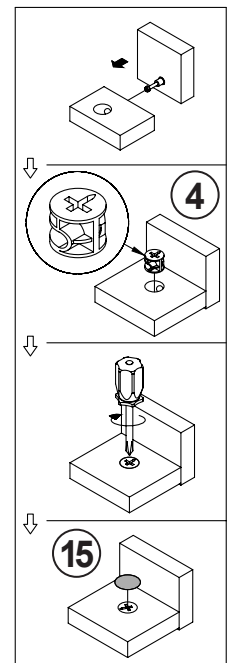
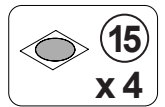
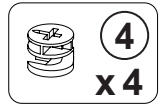
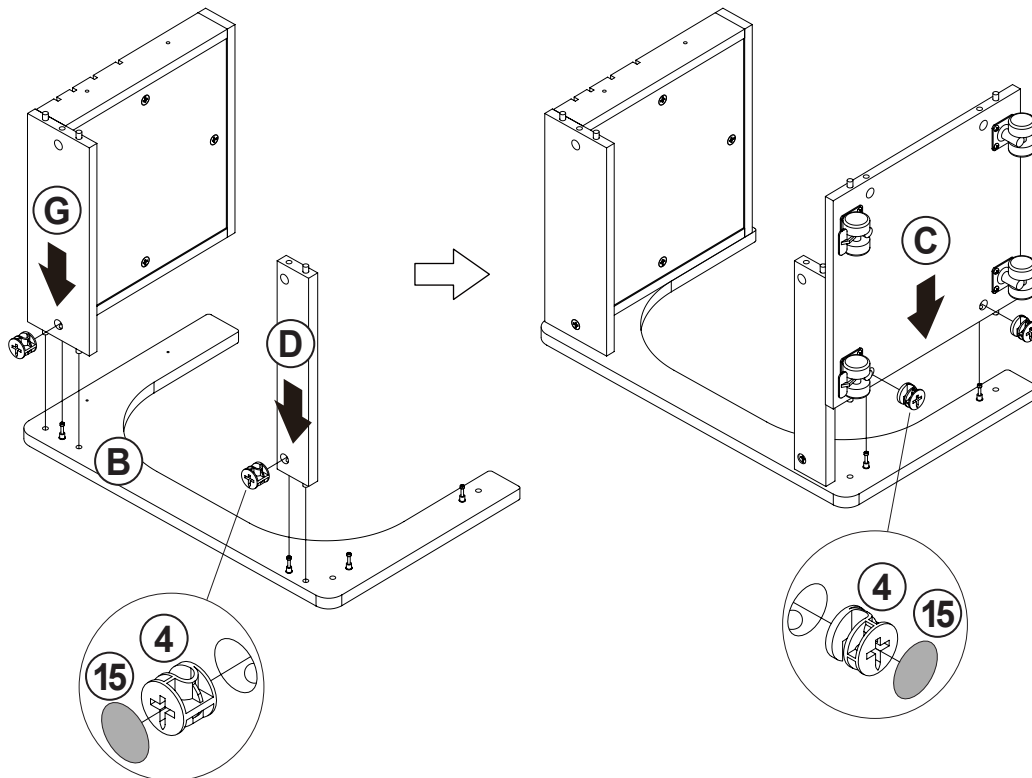


ITEM: 930291

**STEP 4**

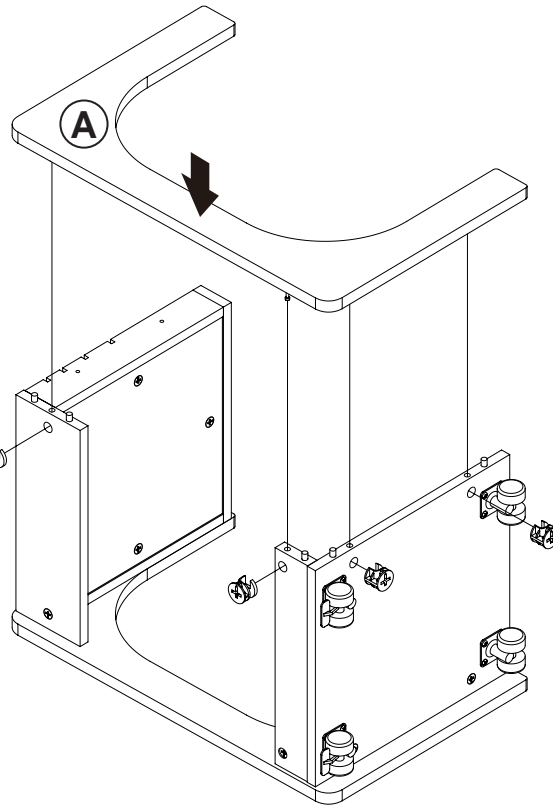
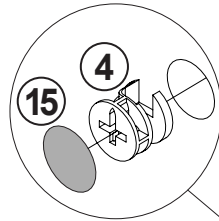
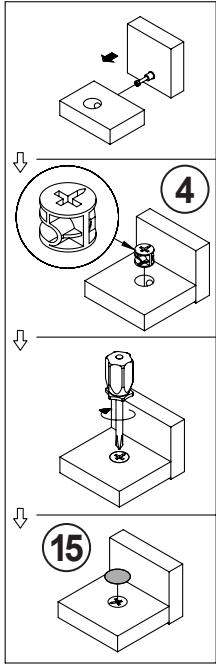
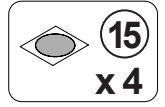
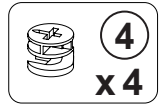


**STEP 5**

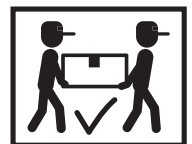
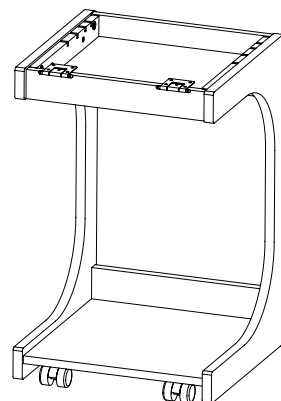
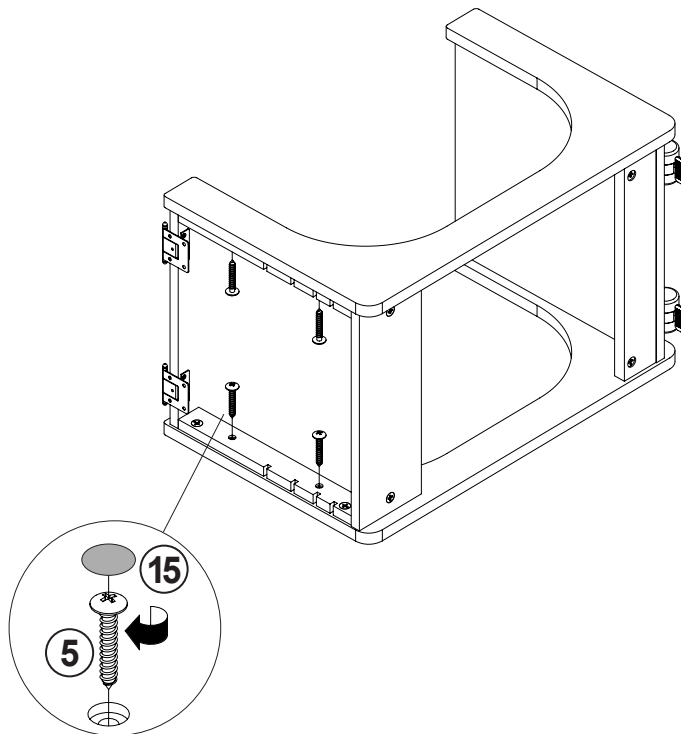
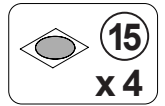
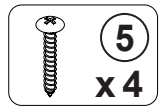


ITEM: 930291

**STEP 6**



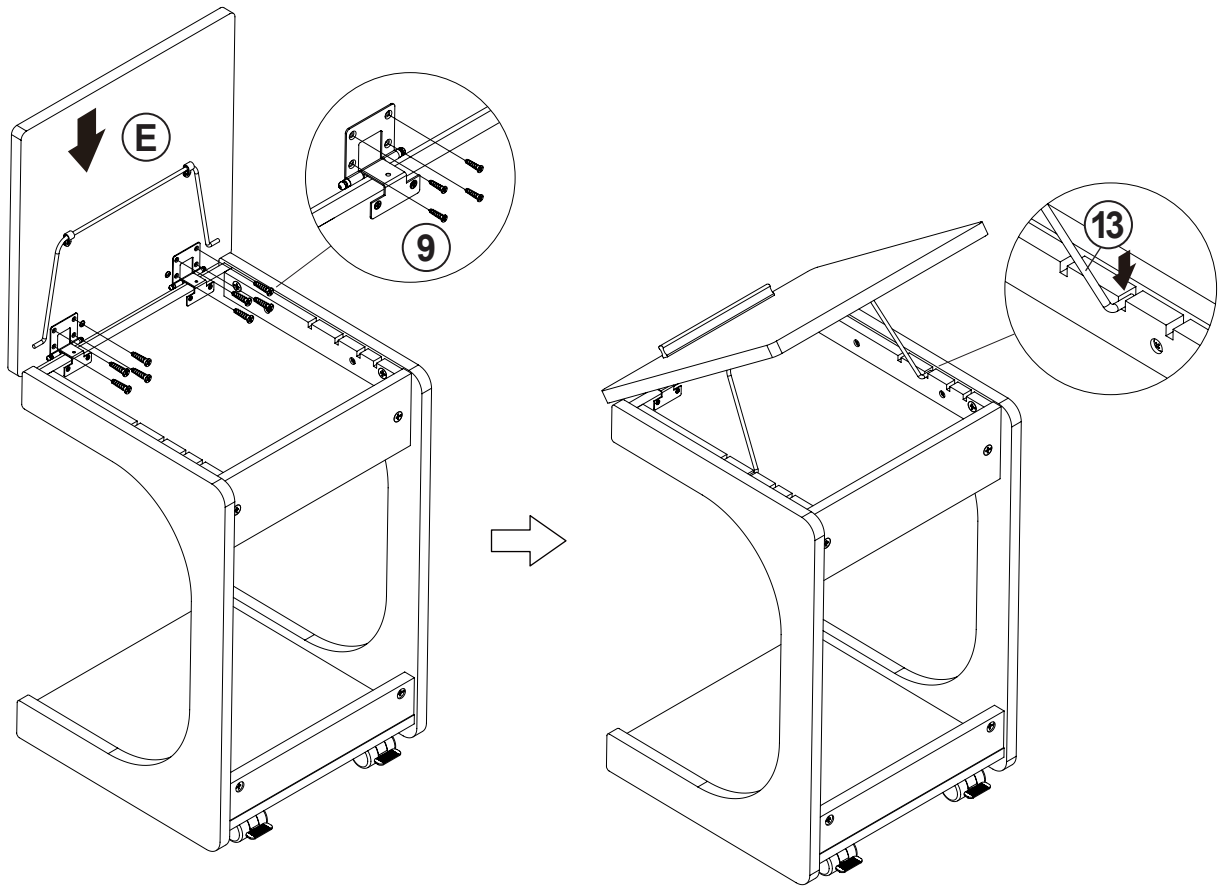
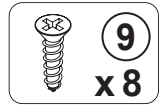
**STEP 7**



ITEM: **930291**

**COASTER**  
FINE FURNITURE

**STEP 8**



**STEP 9**  
**COMPLETE**

