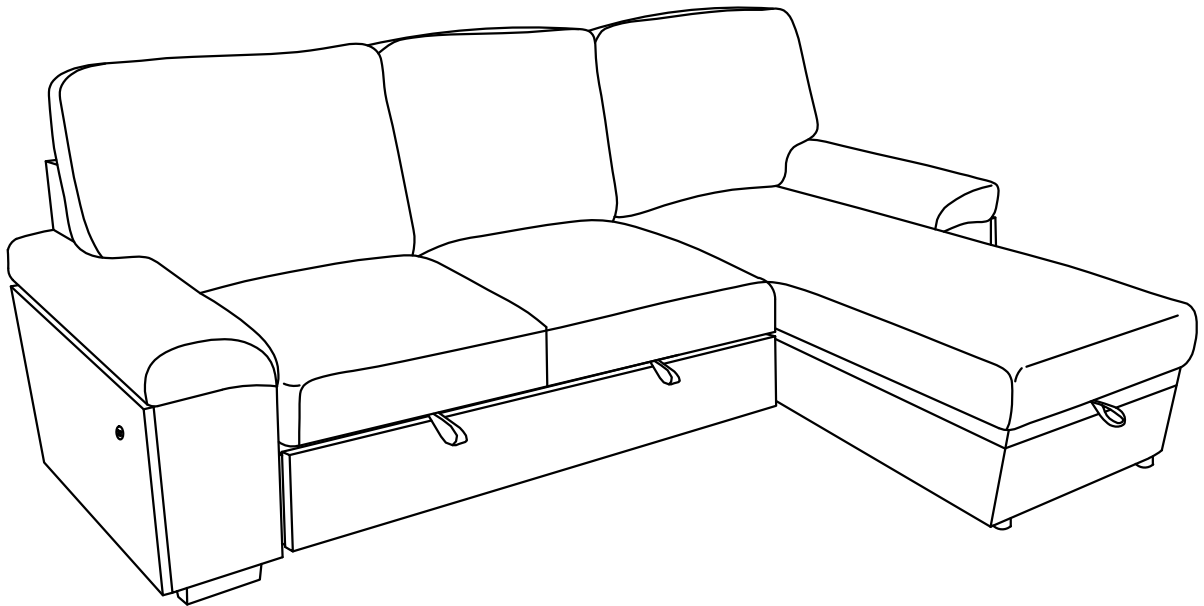




ASSEMBLY INSTRUCTIONS COASTER FINE FURNITURE



Fine Furniture for every stage of life

500355 SLEEPER SECTIONAL

ITEM: 500355

ASSEMBLY INSTRUCTIONS



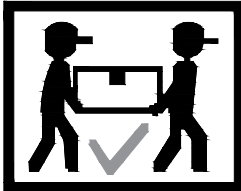
ASSEMBLY TIPS:

1. Remove hardware from box and sort by size.
2. Please check to see that all hardware and parts are present prior to start of assembly.
3. Please follow attached instructions in the same sequence as numbered to assure fast & easy assembly.

WARNING!



1. Don't attempt to repair or modify parts that are broken or defective. Please contact the store immediately.
2. This product is for home use only and not intended for commercial establishments.



ASSEMBLY TIME

30 MINUTES

PARTS IDENTIFICATION

B1 (BOX 1)

A	LSF ARM		1PC
B	RSF ARM		1PC

B2 (BOX 2)

E	BACK CUSHION		1PC
I	SLEEPER SEAT		1PC
J	MIDDLE BACK CUSHION		1PC
K	LSF BACKREST		1PC
L	MIDDLE BACKREST		1PC

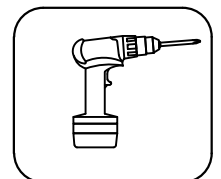
B3 (BOX 3)

C	CHAISE SEAT		1PC
D	RSF BACKREST		1PC
E	BACK CUSHION		1PC
F	RECTANGLE LEG		4PCS
G	ROUND LEG		4PCS
H	ELECTRICAL PLUG		1PC

Z

HARDWARE IDENTIFICATION

NO	DESCRIPTON	FIGURE	Q/TY	NO	DESCRIPTON	FIGURE	Q/TY
1	MALE BRACKETS		6PCS	2	SCREW Ø8*50mm		12PCS



Not Included

Hardware pack is located in 500355B3

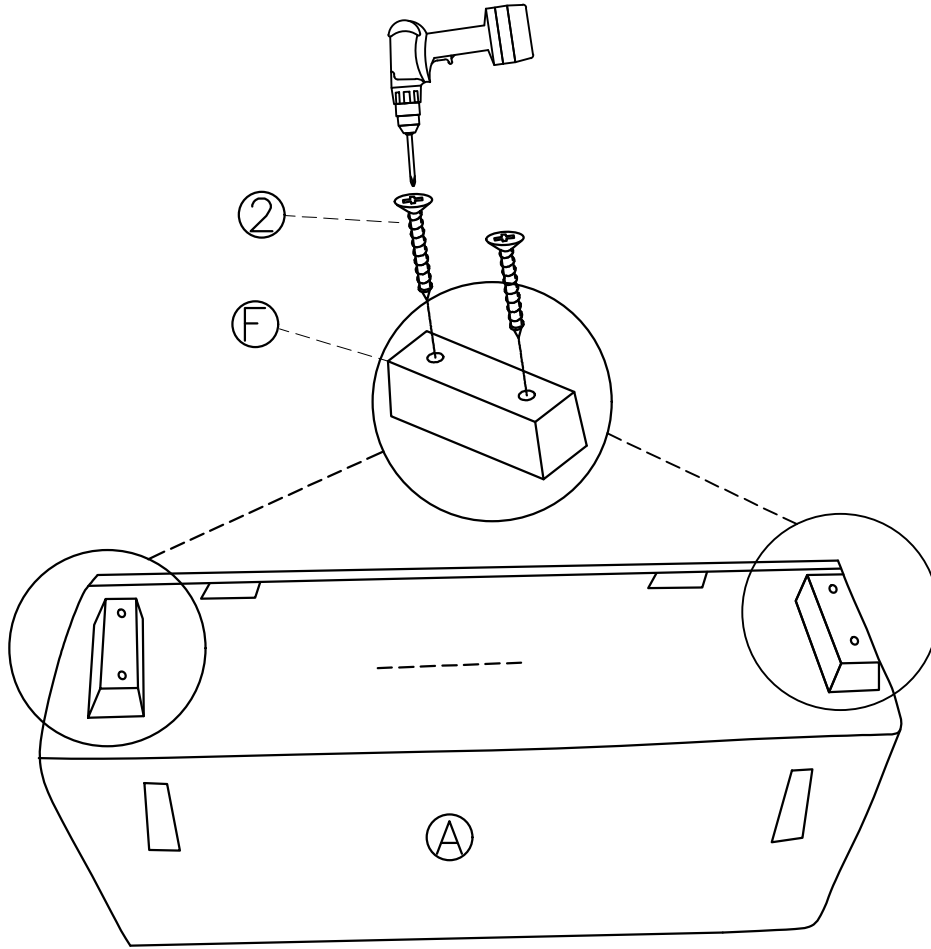
NOTE :

Phillips head screw driver is required in the assembly process; however, manufacturer does not provide this item.

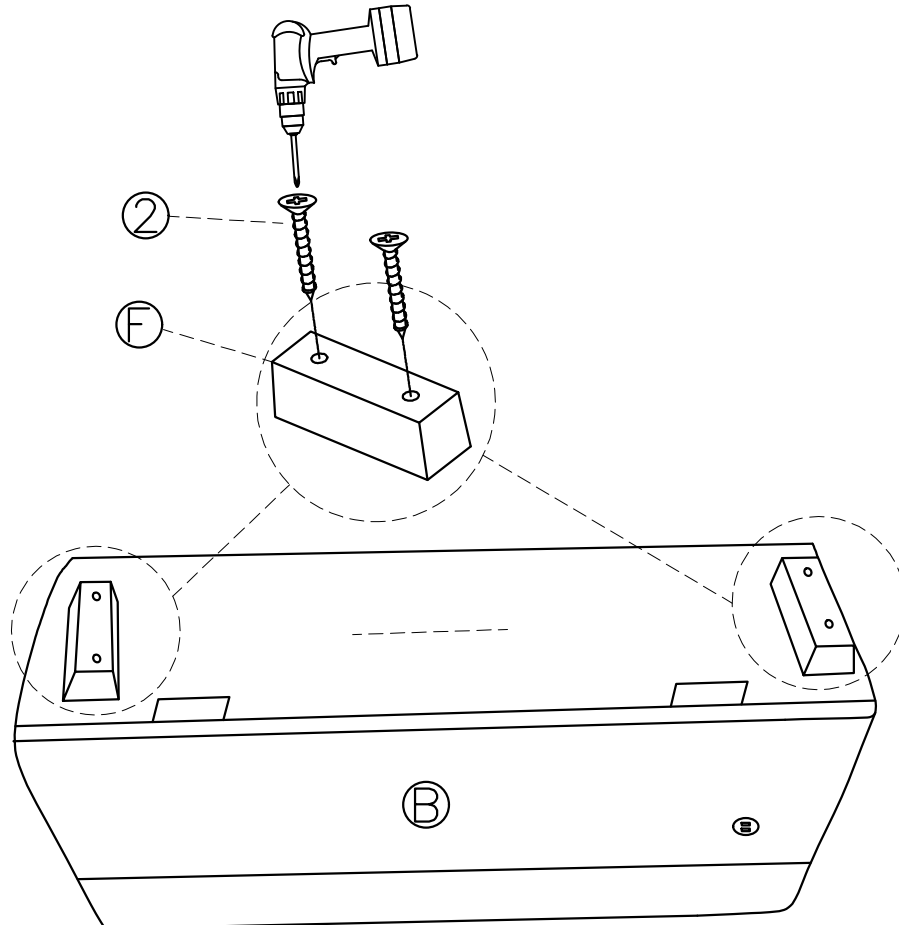
ITEM: 500355

ASSEMBLY INSTRUCTIONS

STEP 1:



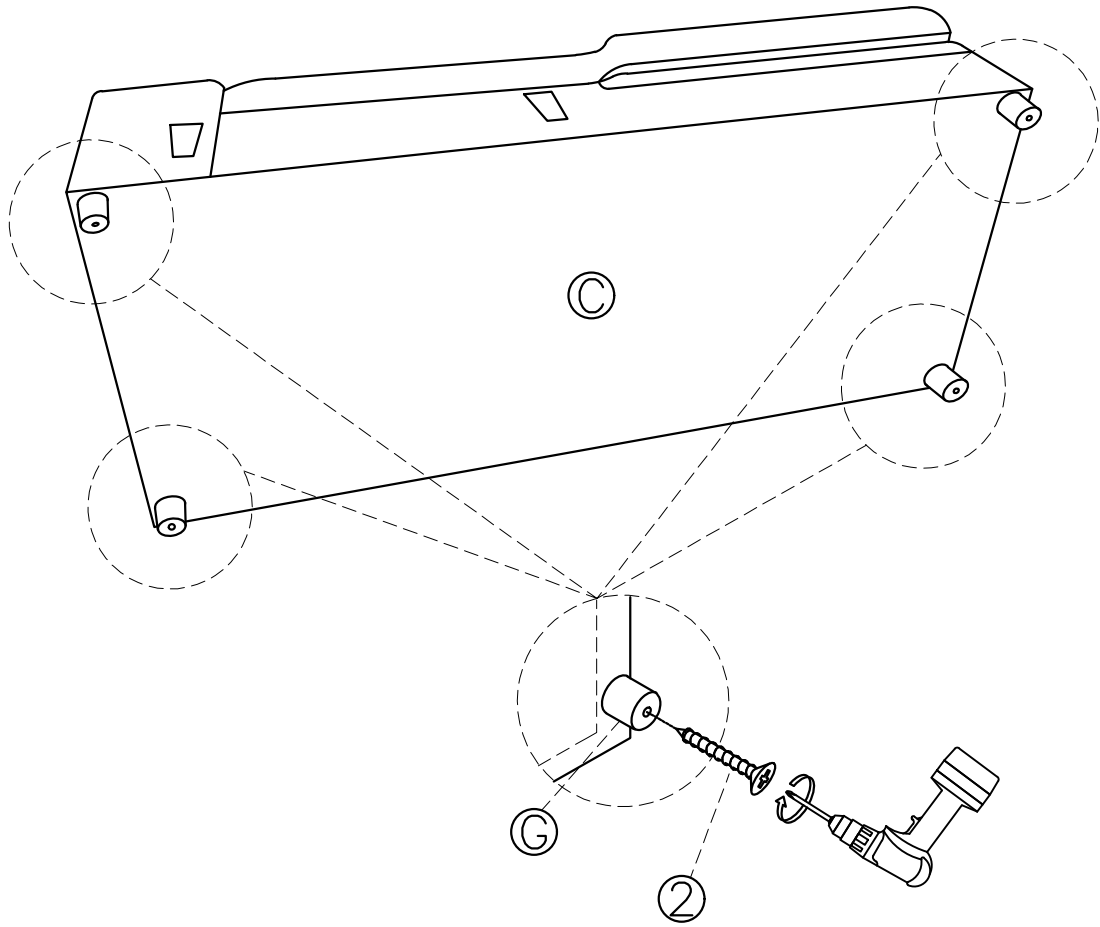
STEP 2:



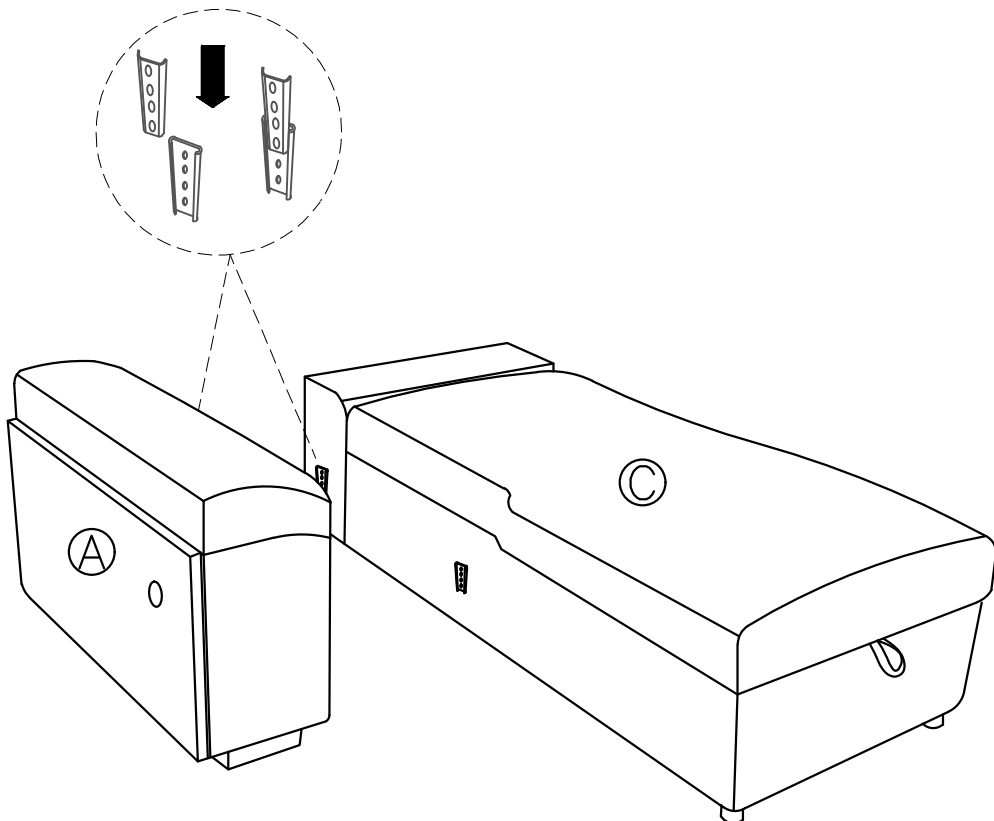
ITEM: 500355

ASSEMBLY INSTRUCTIONS

STEP 3:



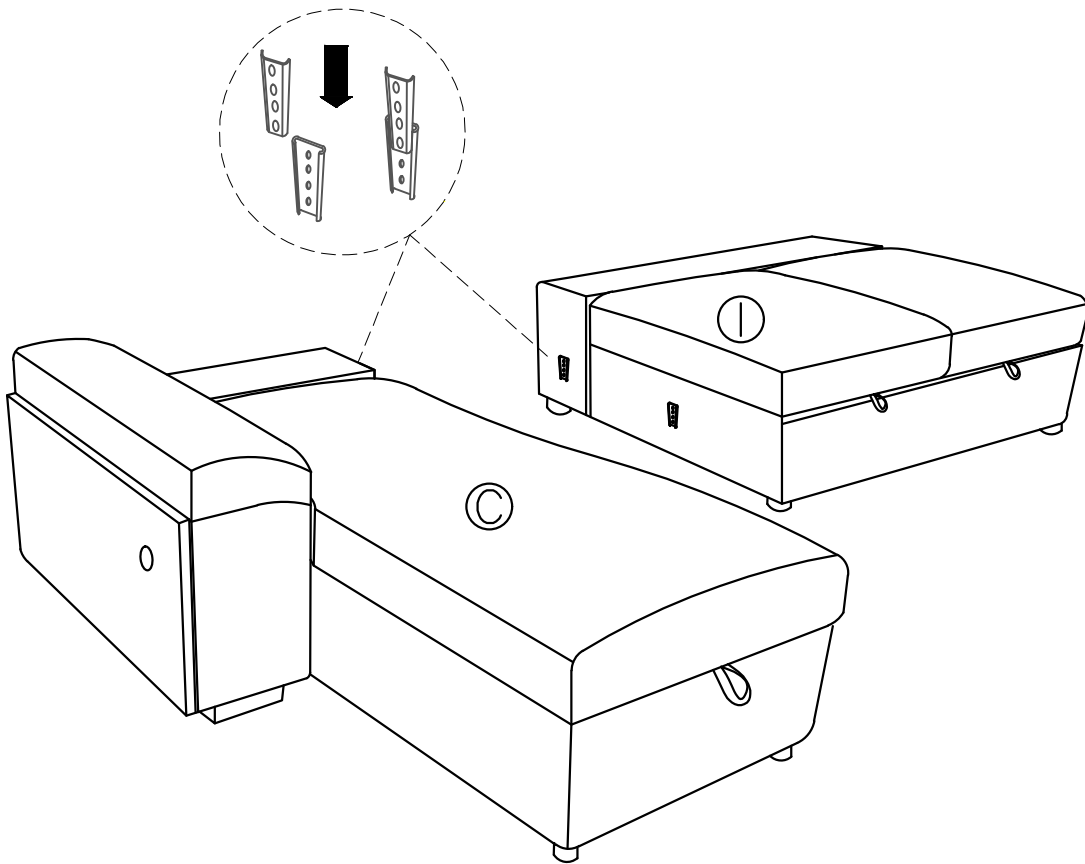
STEP 4:



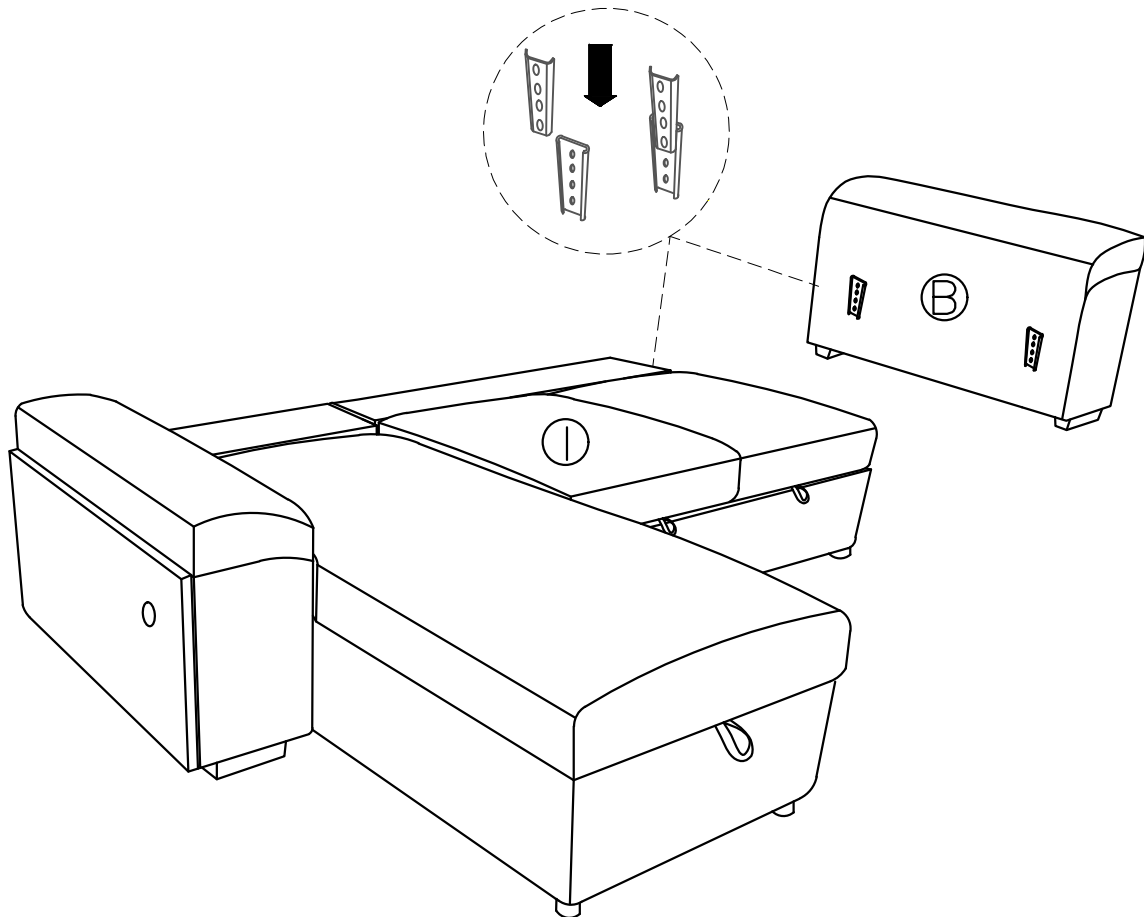
ITEM: 500355

ASSEMBLY INSTRUCTIONS

STEP 5:



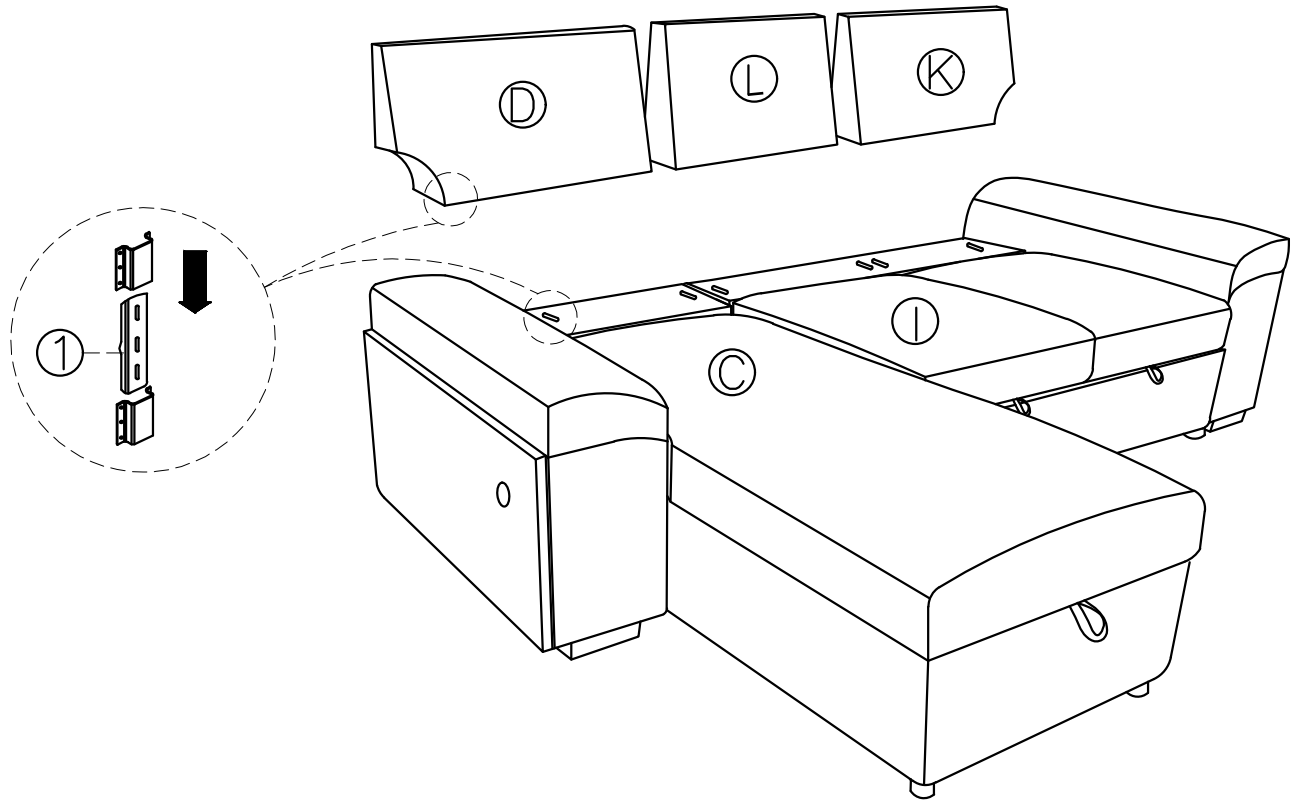
STEP 6:



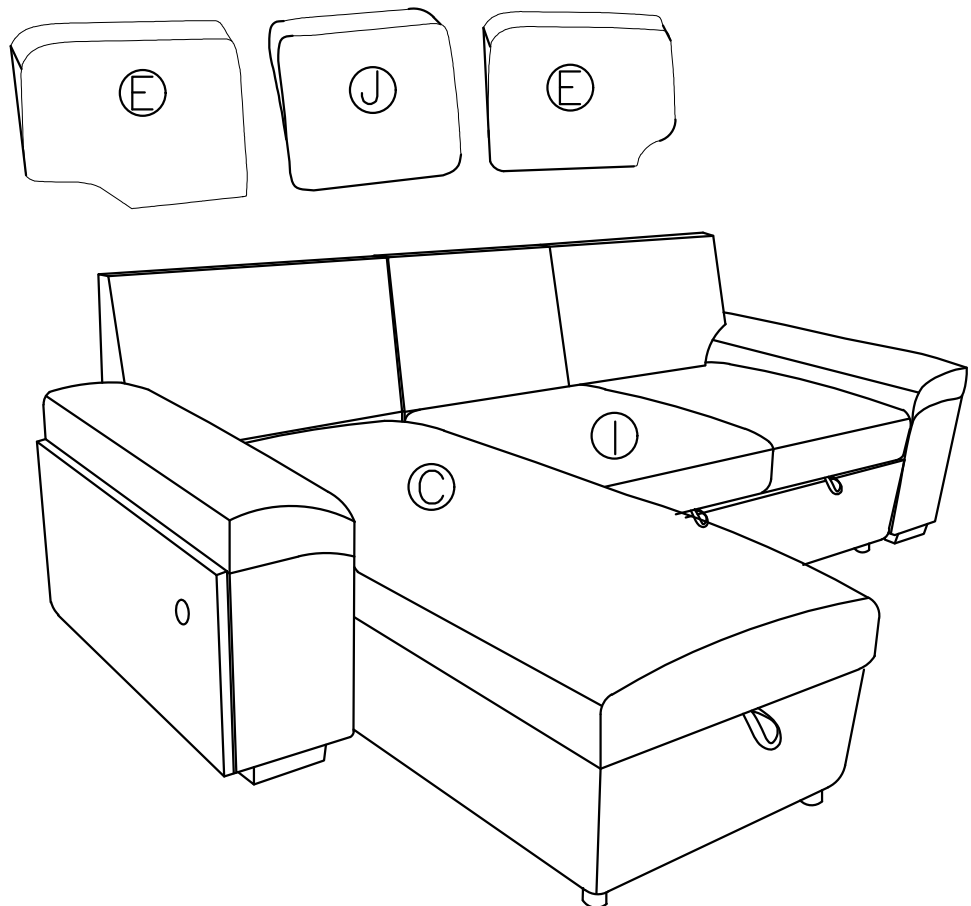
ITEM: 500355

ASSEMBLY INSTRUCTIONS

STEP 7:



STEP 8:

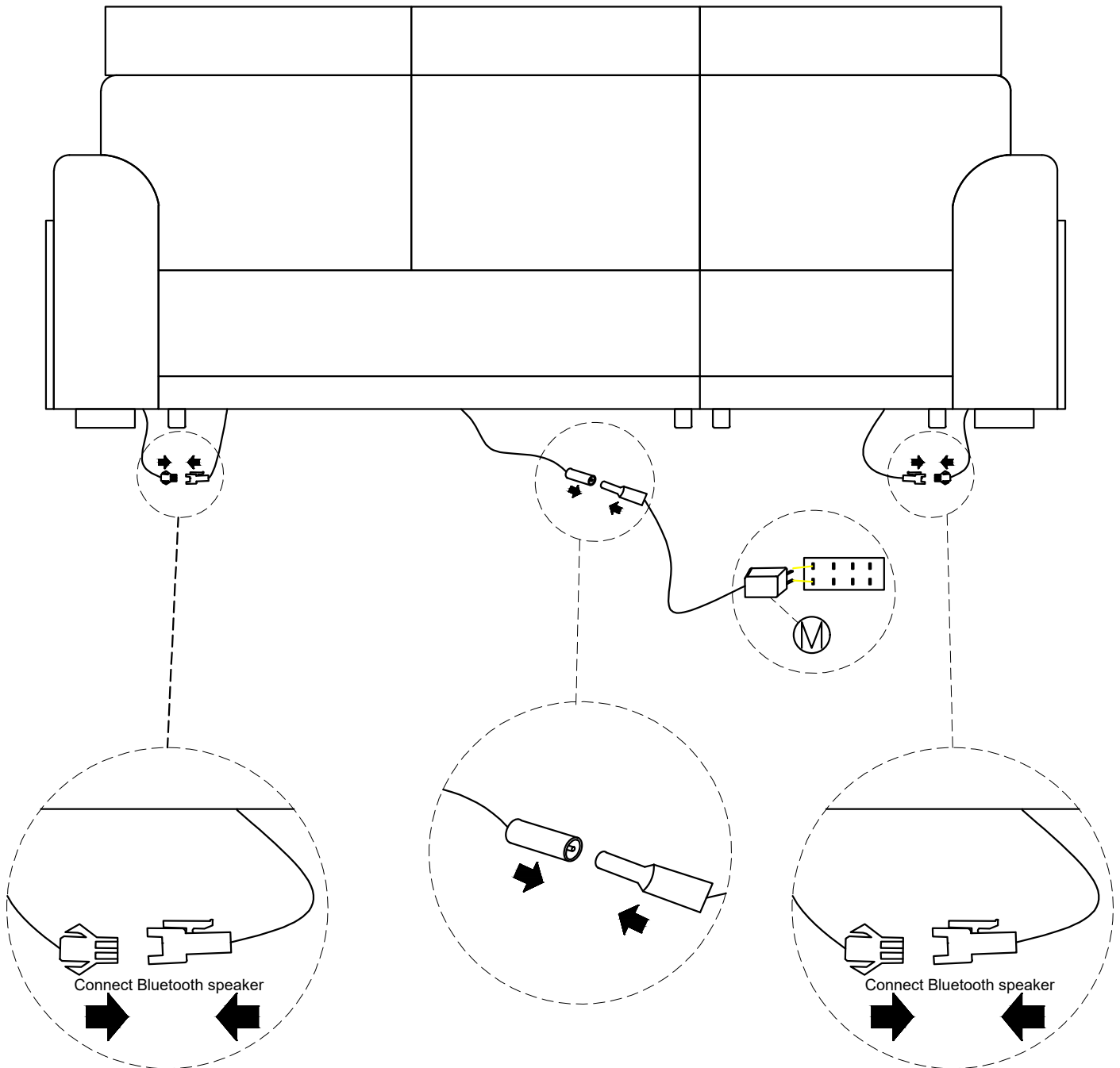


ITEM: 500355

ASSEMBLY INSTRUCTIONS

STEP 9:

Back View

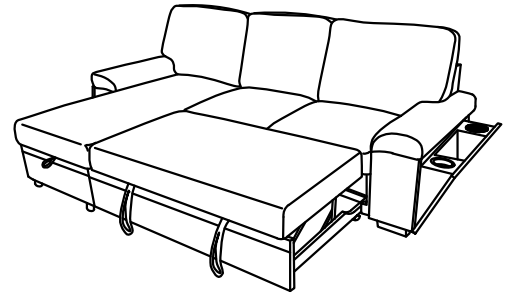
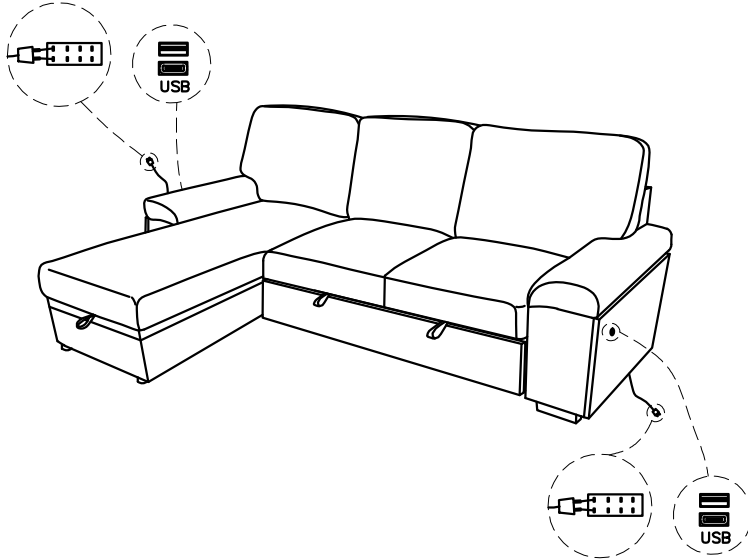


ITEM: 500355

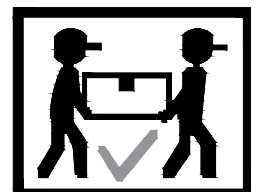
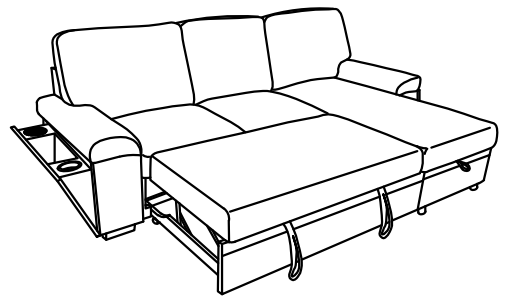
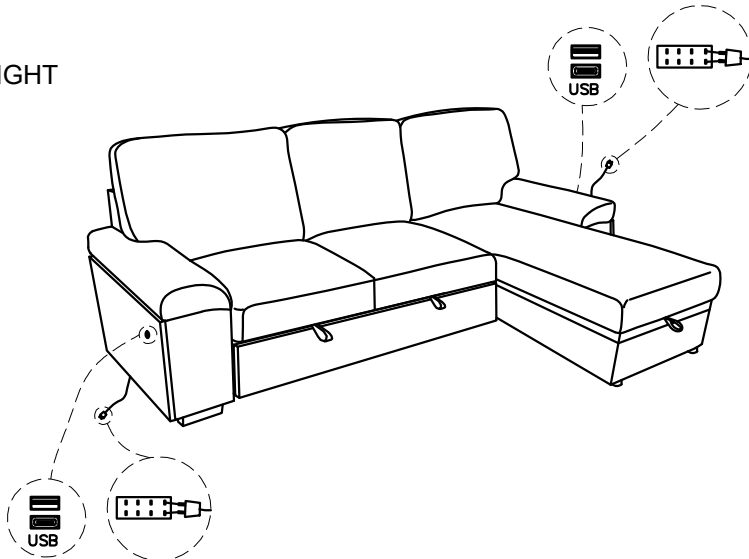
ASSEMBLY INSTRUCTIONS

STEP 10:
COMPLETE

LEFT

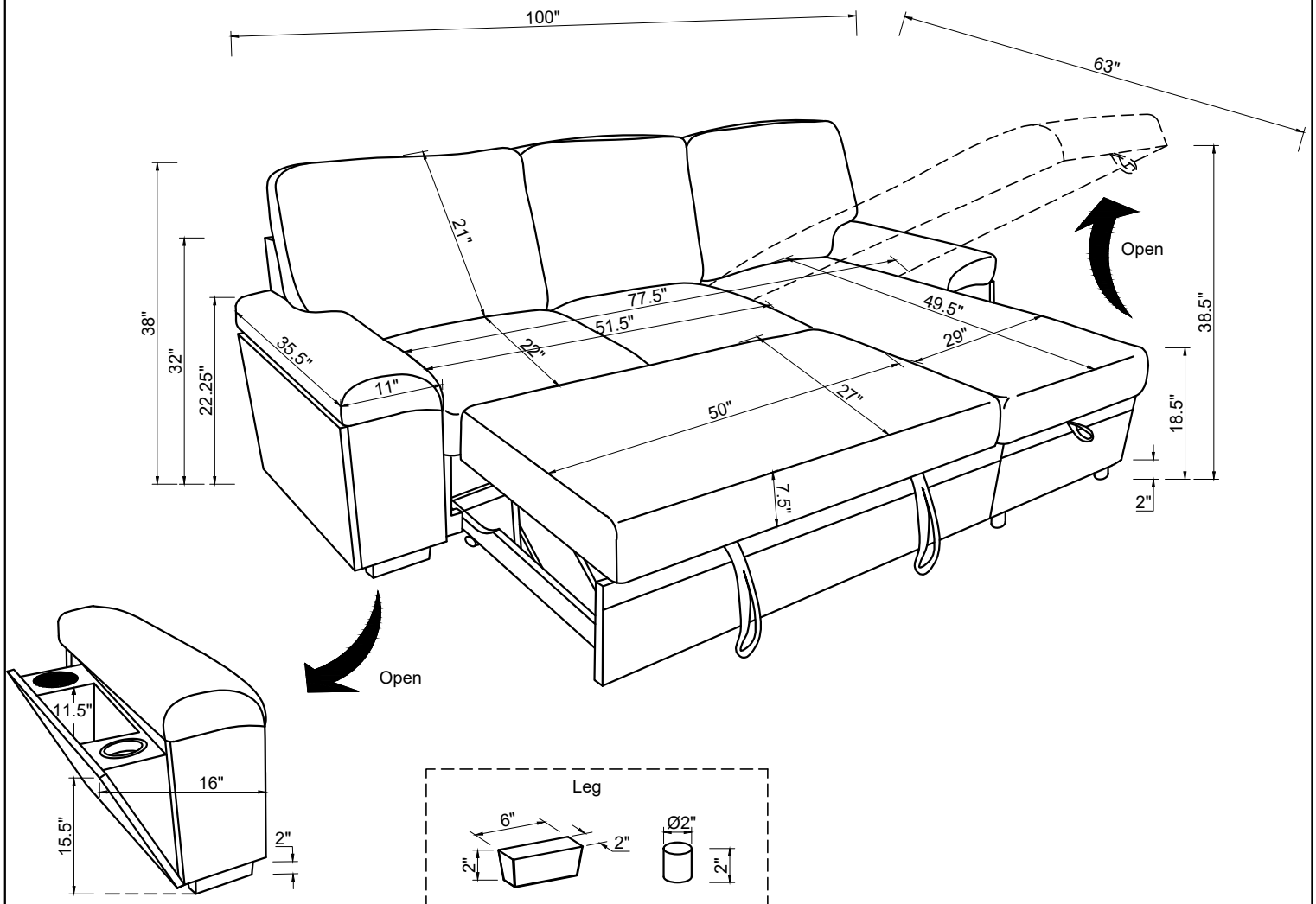


RIGHT



ITEM: 500355

ASSEMBLY INSTRUCTIONS



Note: Dimension tolerance $\pm 5\%$