



# ASSEMBLY INSTRUCTIONS COASTER FINE FURNITURE



*Fine Furniture for every stage of life*

551895-LOVE  
**LOVESEAT**

ITEM: 551898LAF



## ASSEMBLY INSTRUCTIONS

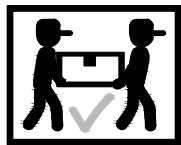
### ASSEMBLY TIPS:

1. Remove hardware from box and sort by size.
2. Please check to see that all hardware and parts are present prior to start of assembly.
3. Please follow attached instructions in the same sequence as numbered to assure fast & easy assembly.



### WARNING !

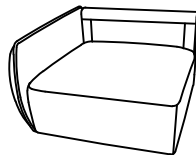
1. Don't attempt to repair or modify parts that are broken or defective. Please contact the store immediately.
2. This product is for home use only and not intended for commercial establishments.



ASSEMBLY TIME 10 MINUTES

## PARTS IDENTIFICATION

A. LEFT ARM  
CHAIR BASE



1PC

B. LEG



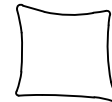
4PCS

C. BACK CUSHION



1PC

D. PILLOW

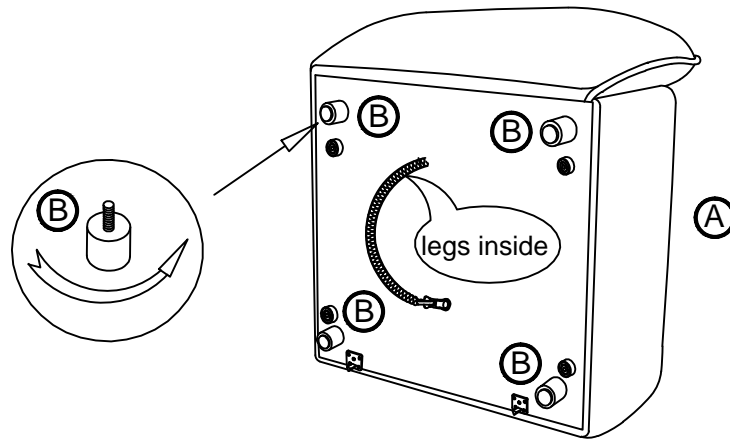


1PC

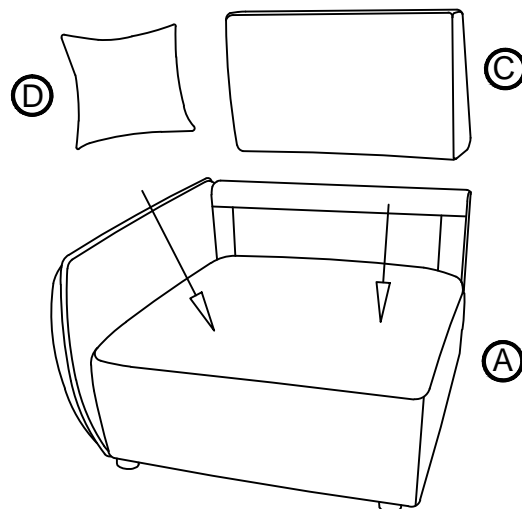
ITEM: **551898LAF**  
ASSEMBLY INSTRUCTIONS



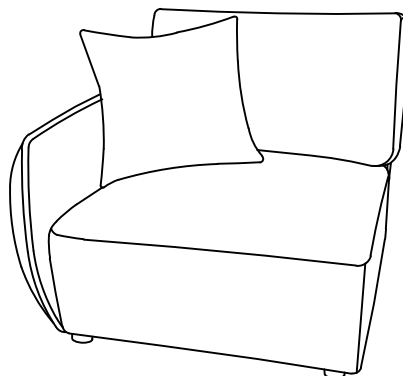
STEP 1



STEP 2



STEP 3



ITEM: 551898RAF



## ASSEMBLY INSTRUCTIONS

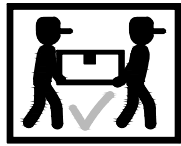
### ASSEMBLY TIPS:

1. Remove hardware from box and sort by size.
2. Please check to see that all hardware and parts are present prior to start of assembly.
3. Please follow attached instructions in the same sequence as numbered to assure fast & easy assembly.



### WARNING !

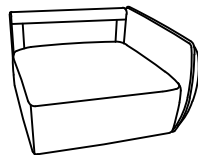
1. Don't attempt to repair or modify parts that are broken or defective. Please contact the store immediately.
2. This product is for home use only and not intended for commercial establishments.



ASSEMBLY TIME 10 MINUTES

## PARTS IDENTIFICATION

A. RIGHT ARM  
CHAIR BASE



1PC

B. LEG



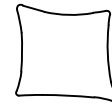
4PCS

C. BACK CUSHION



1PC

D. PILLOW

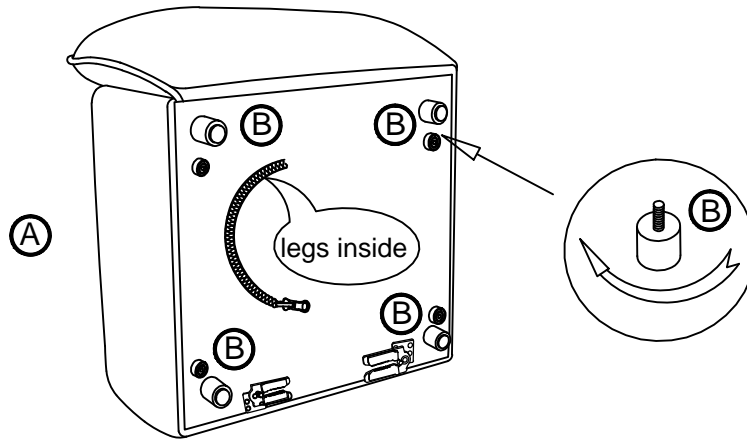


1PC

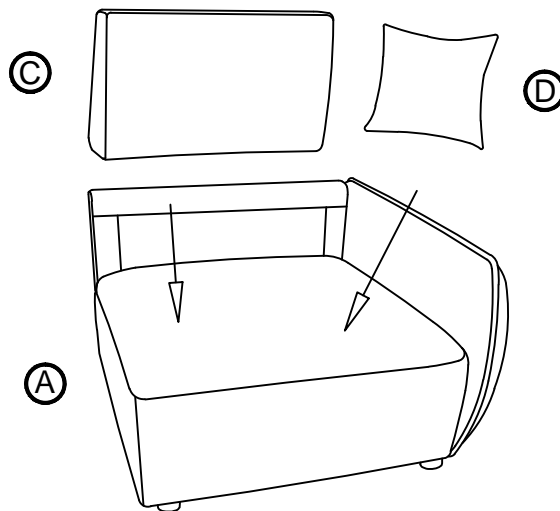
ITEM: **551898RAF**  
ASSEMBLY INSTRUCTIONS



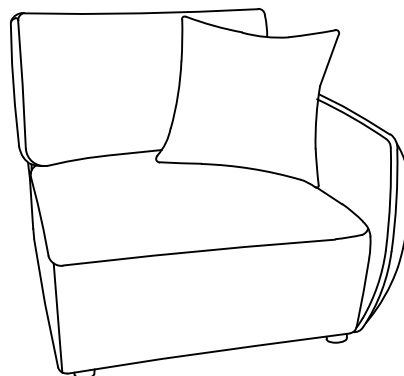
STEP 1



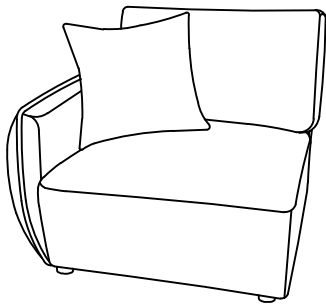
STEP 2



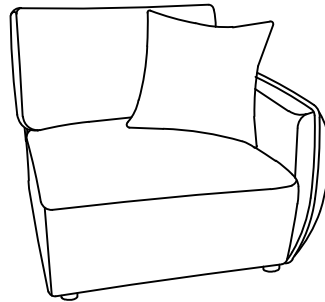
STEP 3



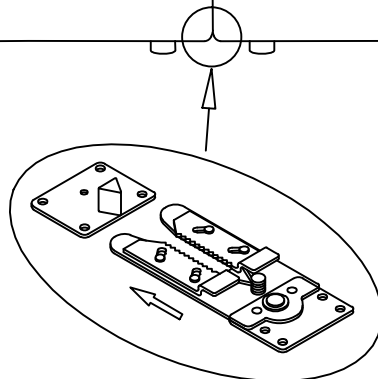
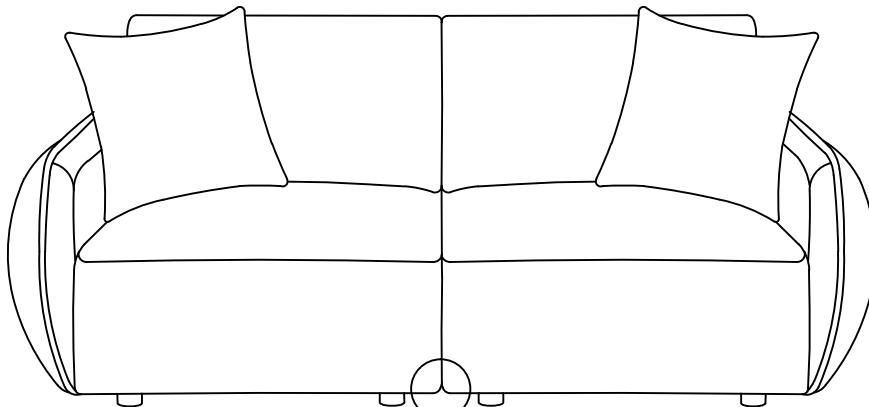
ITEM: 551895-LOVE  
ASSEMBLY INSTRUCTIONS



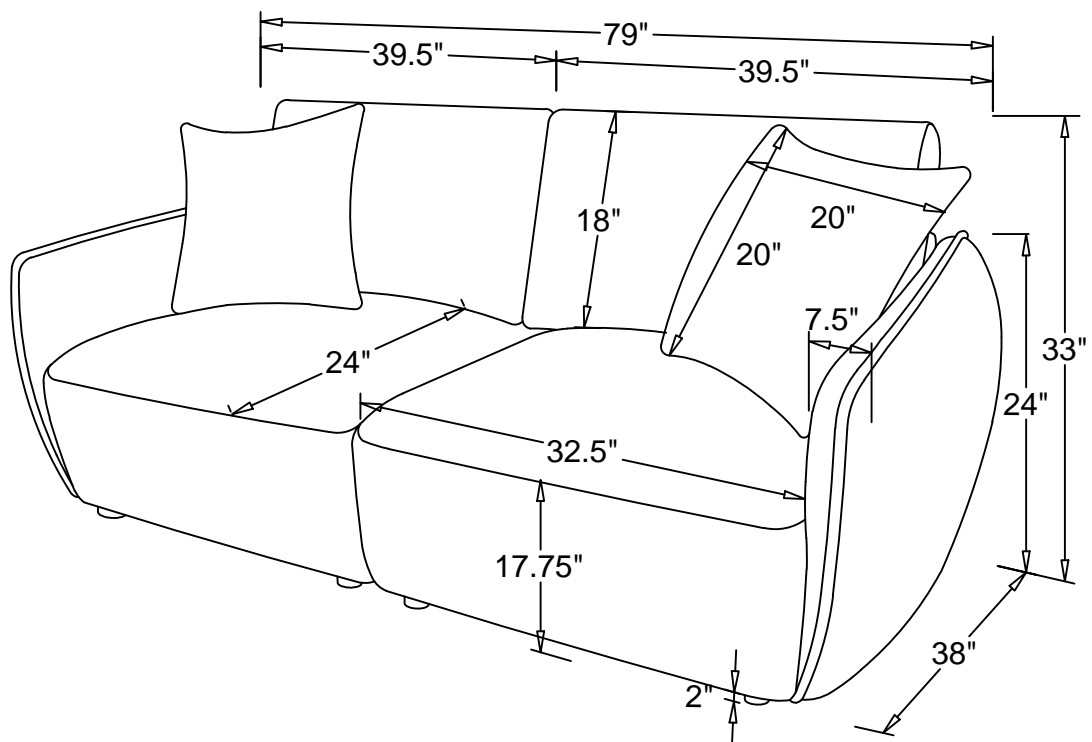
551898LAF



551898RAF



ITEM: 551895-LOVE  
ASSEMBLY INSTRUCTIONS



Note: Dimension tolerance  $\pm 5\%$

