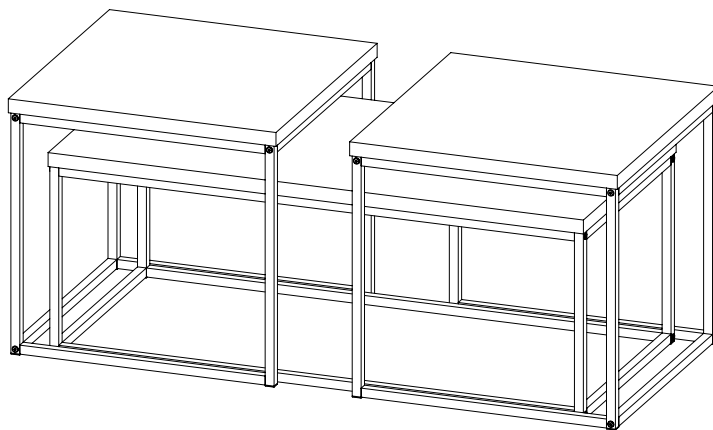


**ASSEMBLY INSTRUCTIONS**  
**COASTER FINE FURNITURE**



*Fine Furniture for every stage of life*

**700144**  
**COFFEE TABLE 3 PC SET**

# ITEM: 700144



## ASSEMBLY INSTRUCTIONS

### ASSEMBLY TIPS:

1. Remove hardware from box and sort by size.
2. Please check to see that all hardware and parts are present prior to start of assembly.
3. Please follow attached instructions in the same sequence as numbered to assure fast & easy assembly.



### WARNING!

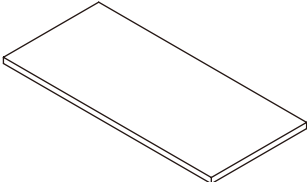
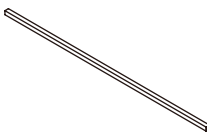
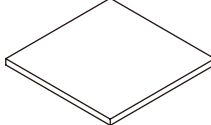
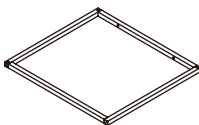
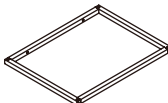

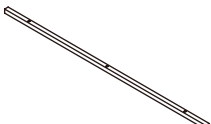
1. Don't attempt to repair or modify parts that are broken or defective. Please contact the store immediately.
2. This product is for home use only and not intended for commercial establishments.




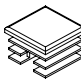
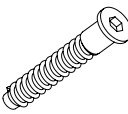
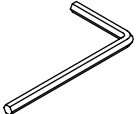
ASSEMBLY TIME

30 MINUTES

## PARTS IDENTIFICATION

<p><b>A</b>    <b>LARGE TABLE TOP</b></p>  <p>1 PC</p>	<p><b>E</b>    <b>LARGE TABLE BOTTOM CROSSBAR</b></p>  <p>2 PCS</p>
<p><b>B</b>    <b>SMALL TABLE TOP</b></p>  <p>2 PCS</p>	<p><b>F</b>    <b>SMALL TABLE LEG FRAME</b></p>  <p>4 PCS</p>
<p><b>C</b>    <b>LARGE TABLE LEG FRAME</b></p>  <p>2 PCS</p>	<p><b>G</b>    <b>SMALL TABLE CROSSBAR</b></p>  <p>6 PCS</p>
<p><b>D</b>    <b>LARGE TABLE TOP CROSSBAR</b></p>  <p>2 PCS</p>	

## HARDWARE IDENTIFICATION

Z	NO	DESCRIPTION	FIGURE	Q'TY	NO	DESCRIPTION	FIGURE	Q'TY
	1	<b>BOLT</b> M6x35mm BLK		20 PCS	3	<b>FLOOR PROTECTOR</b> 20x20mm		12 PCS
	2	<b>BOLT</b> Ø7x40mm BLK		18 PCS	4	<b>ALLEN WRENCH</b> 4mm SR		1 PC

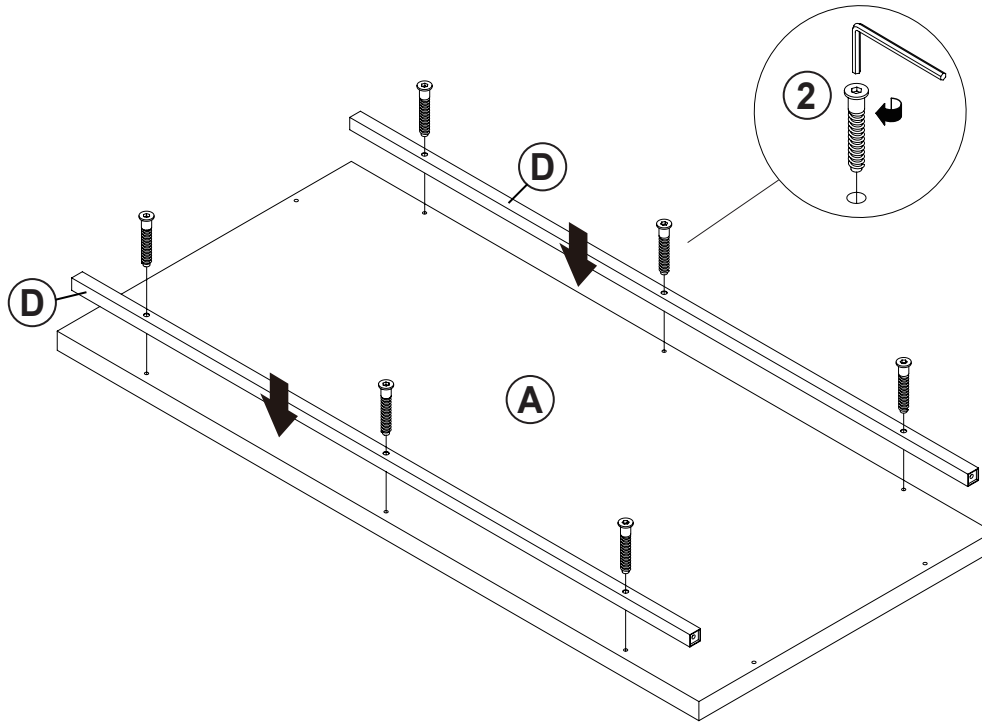
### NOTE:

Phillips head screw driver is required in the assembly process; however, manufacturer does not provide this item.

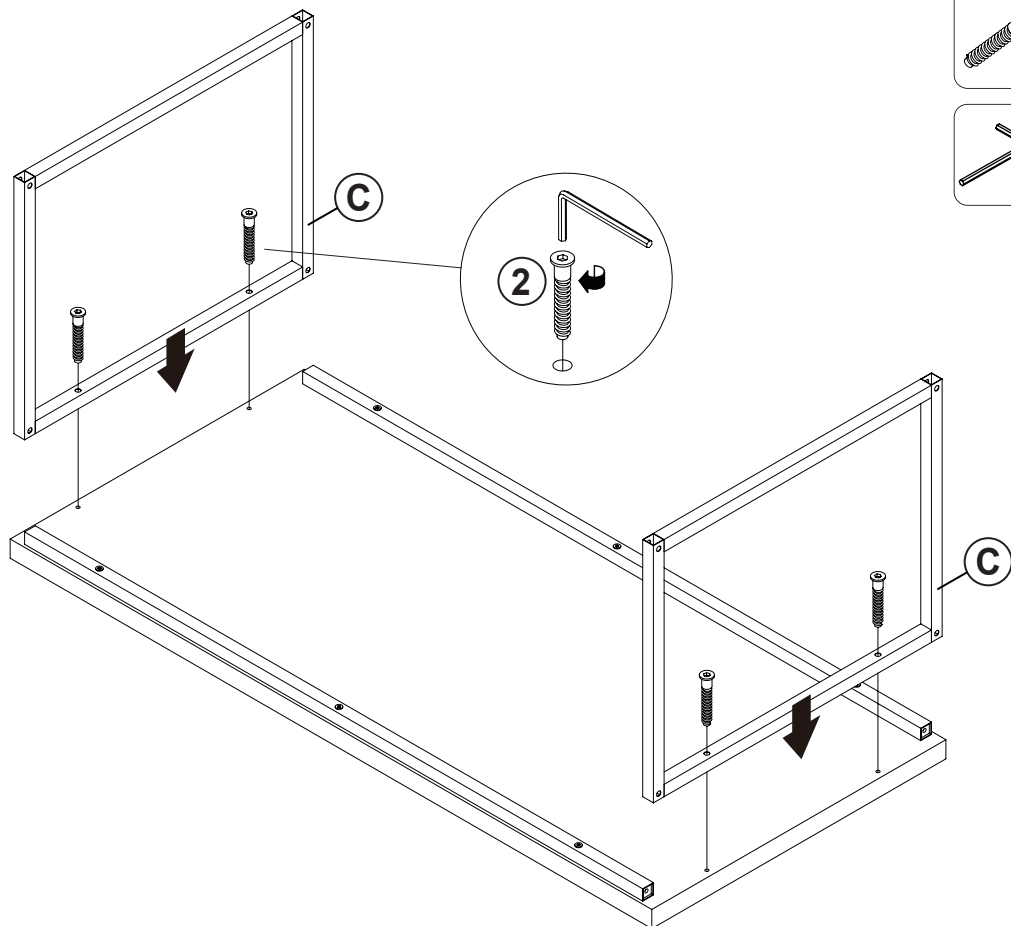
ITEM: 700144

**COASTER**  
FINE FURNITURE

**STEP 1**



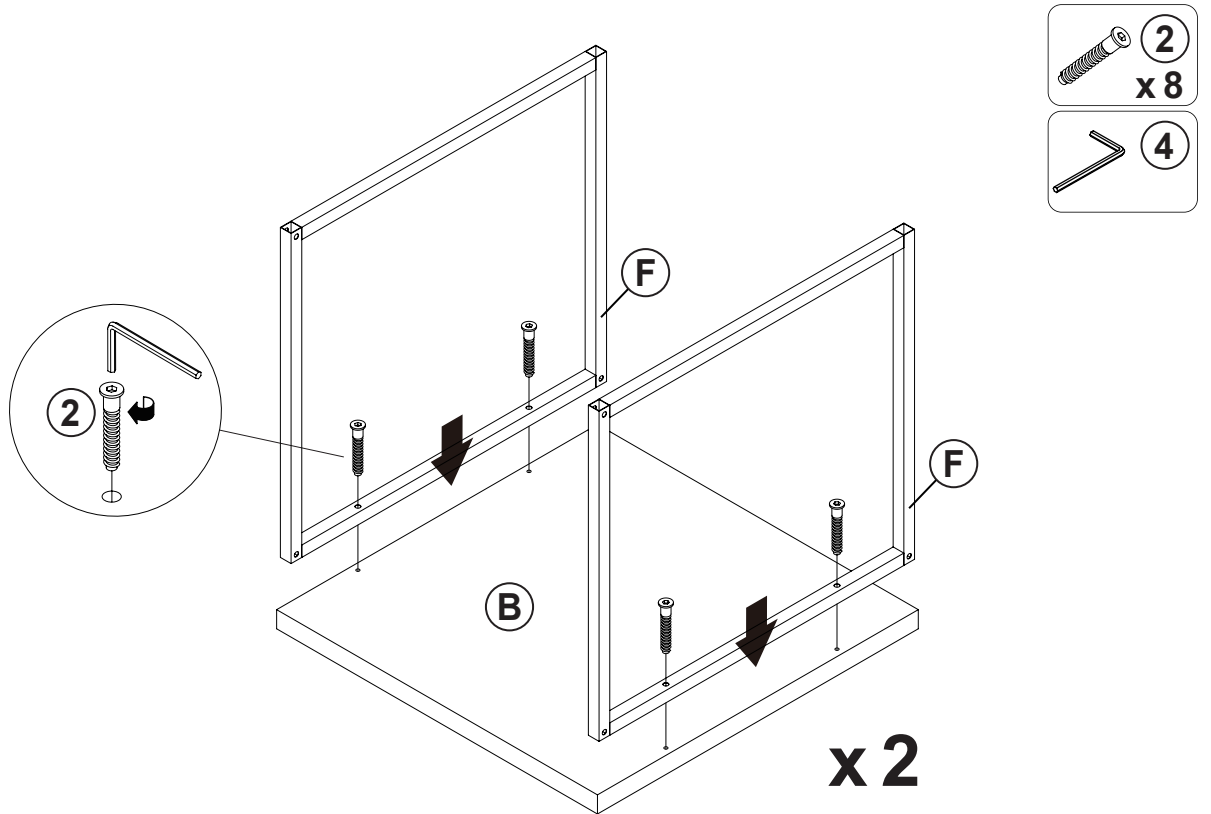
**STEP 2**



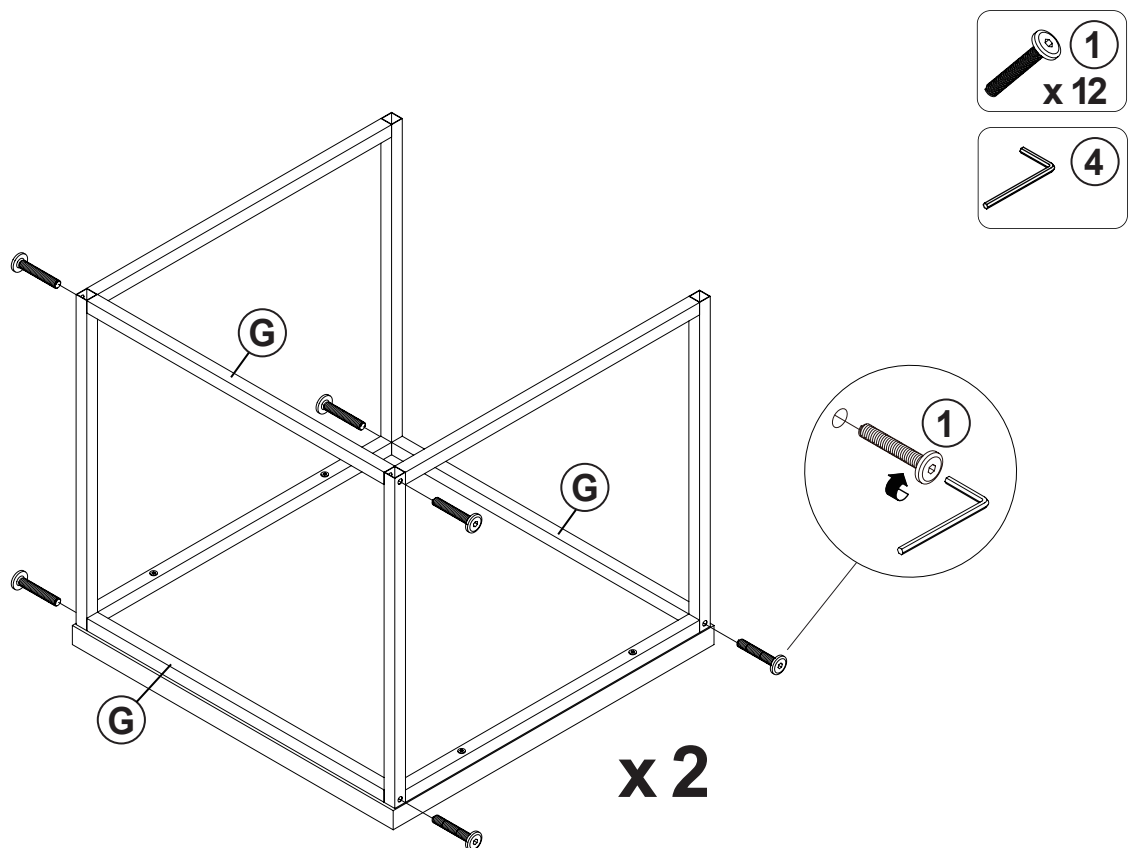


ITEM: 700144

**STEP 5**

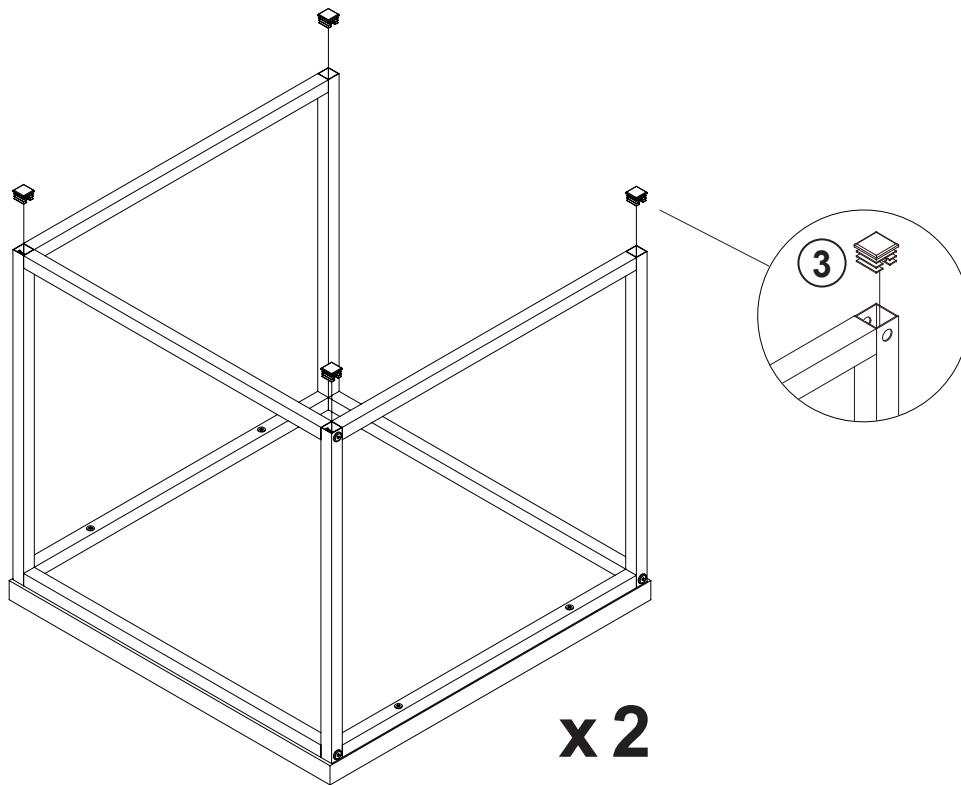
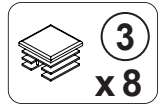


**STEP 6**



ITEM: 700144

**STEP 7**



**STEP 8**

**COMPLETE**

