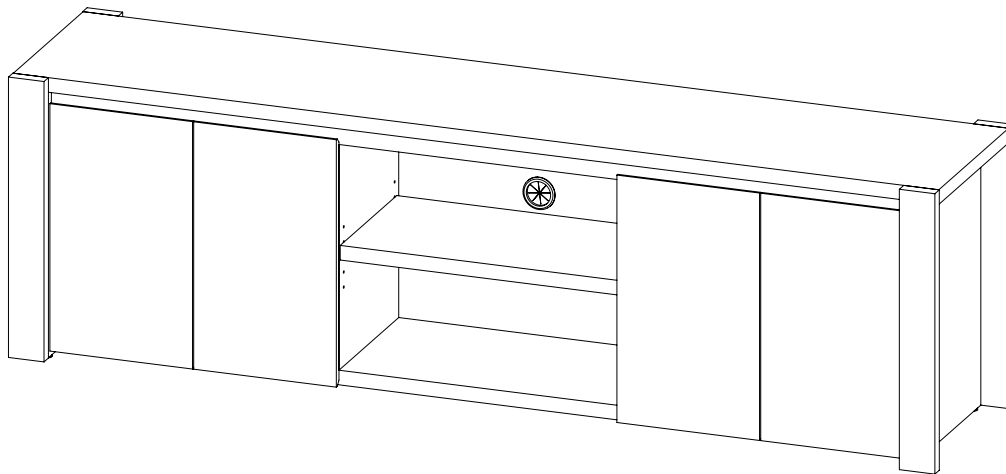


ASSEMBLY INSTRUCTIONS
COASTER FINE FURNITURE



Fine Furniture for every stage of life

701653
TV STAND

ITEM: 701653



ASSEMBLY INSTRUCTIONS

ASSEMBLY TIPS:

1. Remove hardware from box and sort by size.
2. Please check to see that all hardware and parts are present prior to start of assembly.
3. Please follow attached instructions in the same sequence as numbered to assure fast & easy assembly.



WARNING!

1. Don't attempt to repair or modify parts that are broken or defective. Please contact the store immediately.
2. This product is for home use only and not intended for commercial establishments.



ASSEMBLY TIME

60 MINUTES

MAX TV SIZE : 85"

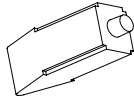
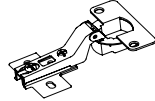
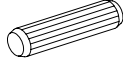

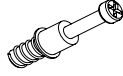
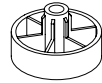


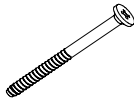



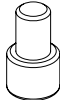
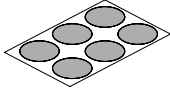
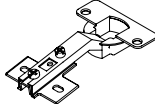

PARTS IDENTIFICATION

A	LEFT SIDE PANEL		1 PC	I	LARGE ADJUSTABLE SHELF		1 PC
B	RIGHT SIDE PANEL		1 PC	J	BACK SIDE PANEL		2 PCS
C	LEFT DIVIDER PANEL		1 PC	K	BACK MIDDLE UPPER PANEL		1 PC
D	RIGHT DIVIDER PANEL		1 PC	L	BACK MIDDLE LOWER PANEL		3 PCS
E	BOTTOM PANEL		1 PC	M	MOLDING BOARD 1		2 PCS
F	UPPER DECORATIVE STRIP		1 PC	N	MOLDING BOARD 2		2 PCS
G	TOP PANEL		1 PC	O	DOOR		4 PCS
H	ADJUSTABLE SHELF		2 PCS				

NOTE:

Phillips head screw driver is required in the assembly process; however, manufacturer does not provide this item.

HARDWARE IDENTIFICATION

Z							
NO	DESCRIPTION	FIGURE	Q'TY	NO	DESCRIPTION	FIGURE	Q'TY
1	GLUE 40g		1 PC	9	HINGE Ø35mm SR		4 PCS
2	WOODEN DOWEL Ø8 x 30mm		33 PCS	10	HINGE SCREW Ø4x15mm SR		32 PCS
3	CAM BOLT Ø7 x 35.5mm SR		24 PCS	11	FOOT Ø35xH19mm		2 PCS
4	CAM LOCK Ø15 x 12mm SR		24 PCS	12	BACK PANEL SUPPORT		6 PCS
5	BOLT Ø9.5 x 55mm SR		4 PCS	13	BACK PANEL SUPPORT SCREW Ø3 x 19mm SR		6 PCS
6	PLASTIC FEET Ø15m		4 PCS	14	PLASTIC COVER Ø 52mm		1 PC
7	PIN FOR ADJUSTABLE SHELF Ø4.9x8mm SR		12 PCS	15	STICKER Ø20mm		4 PCS
8	HINGE Ø35mm SR		4 PCS	16	I-SHAPED STRIP 599mm		3PCS

Z8, Z9, Z11, Z14 not included in blister packaging.

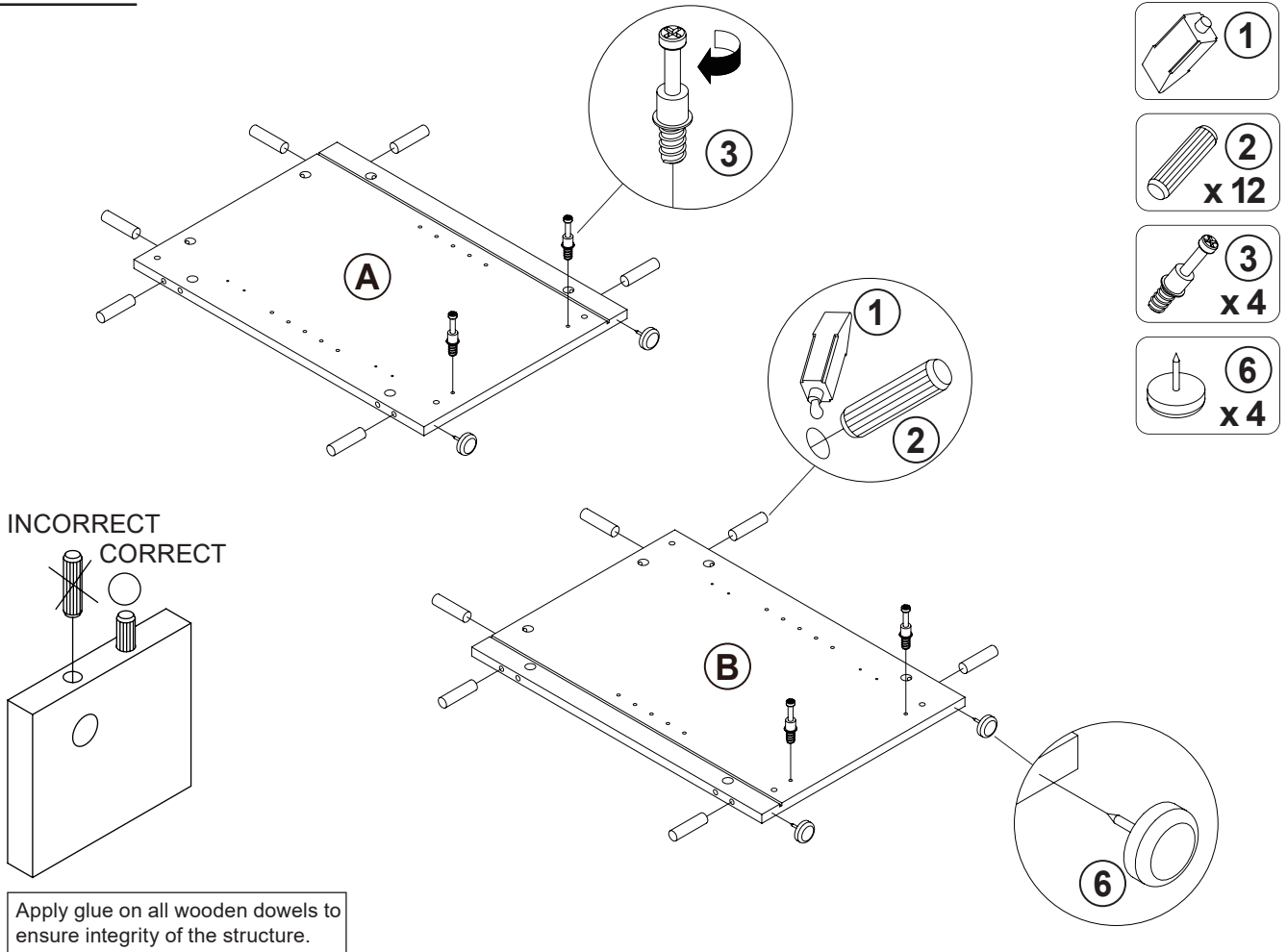
NOTE:

Phillips head screw driver is required in the assembly process; however, manufacturer does not provide this item.

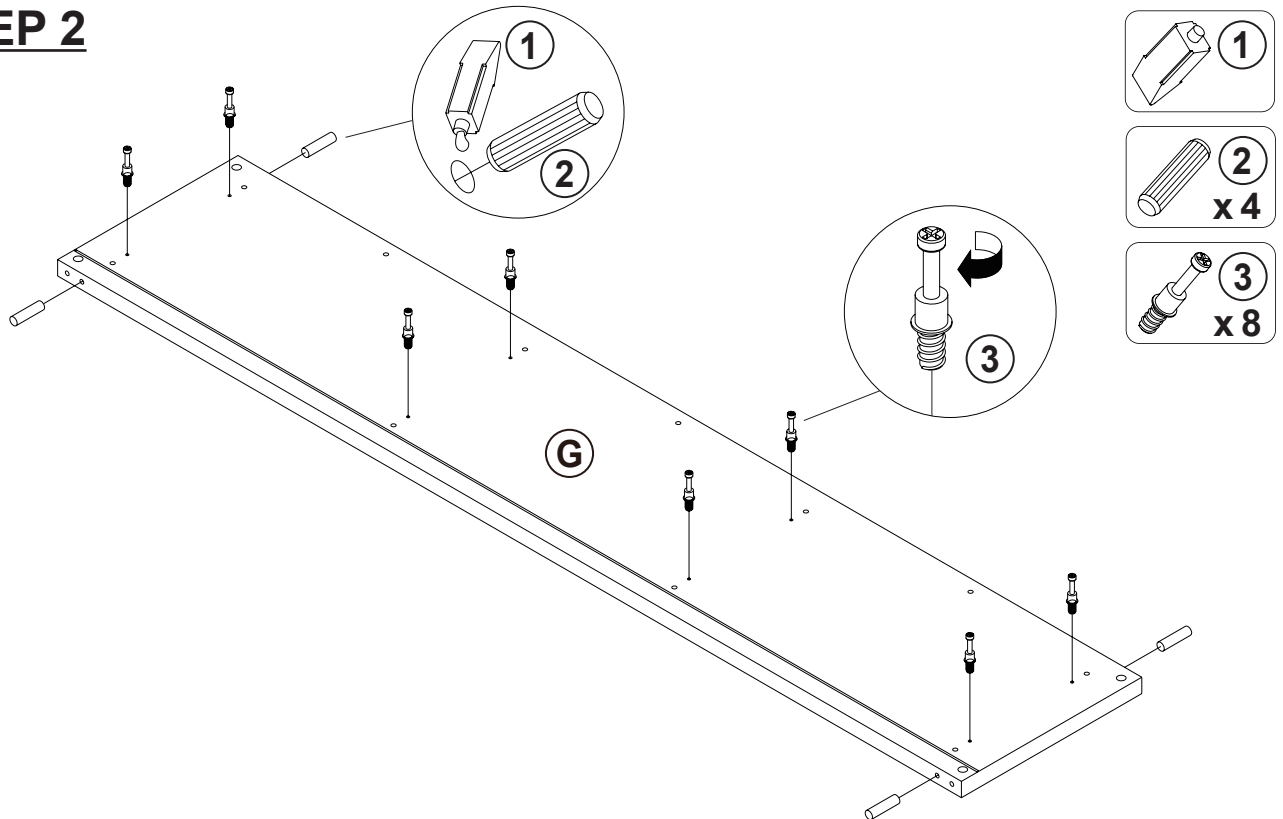
ITEM: 701653

COASTER
FINE FURNITURE

STEP 1



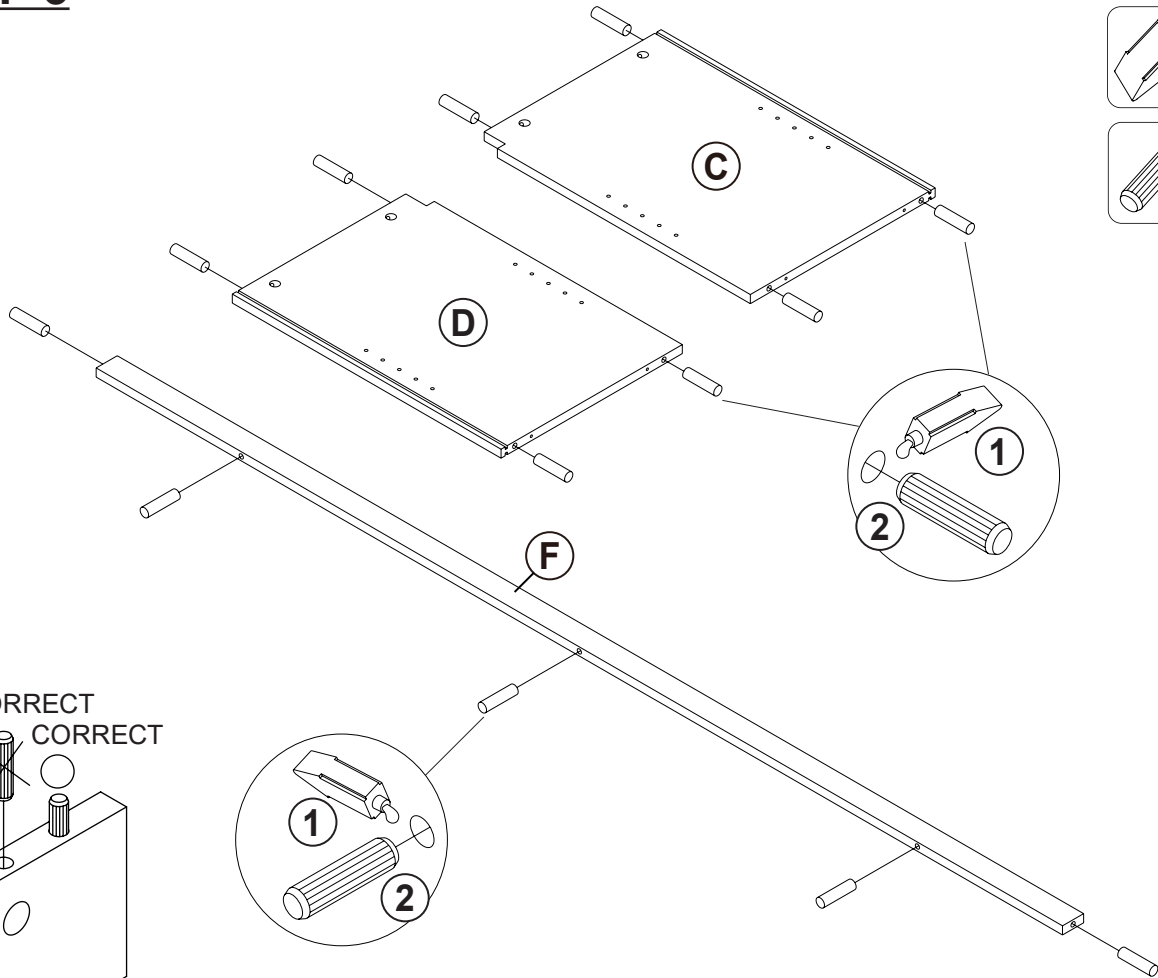
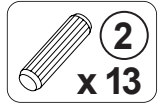
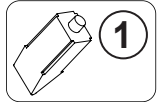
STEP 2



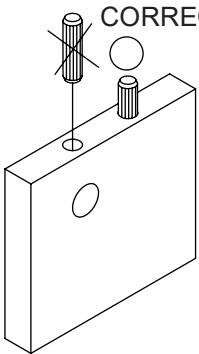
ITEM: 701653

COASTER
FINE FURNITURE

STEP 3

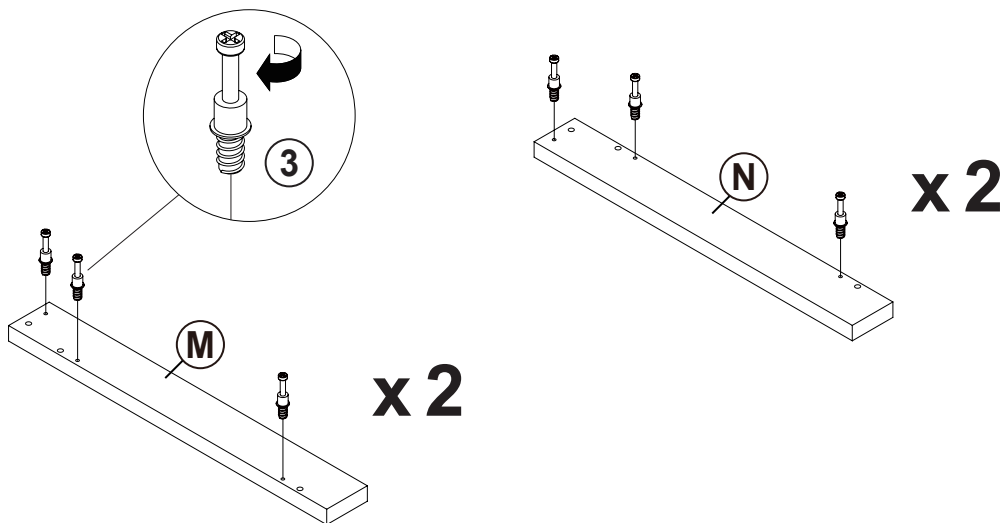
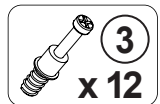


INCORRECT
CORRECT



Apply glue on all wooden dowels to ensure integrity of the structure.

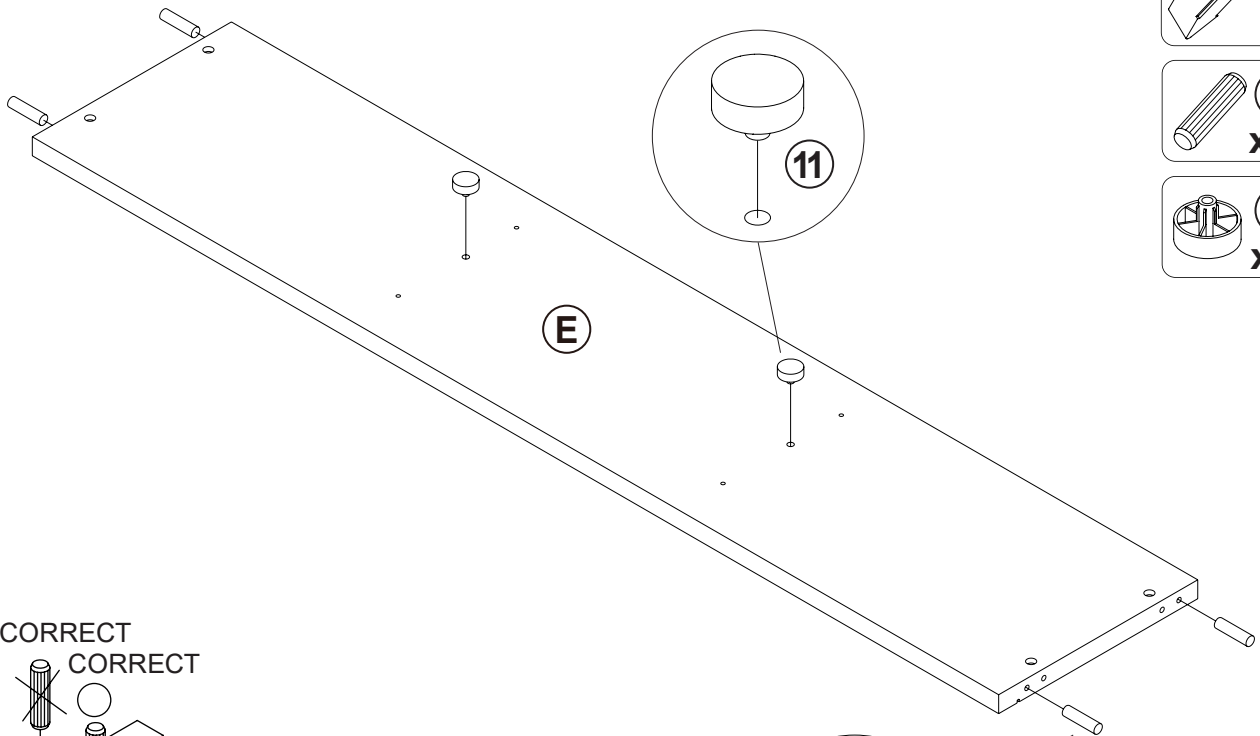
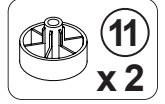
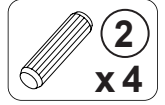
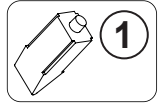
STEP 4



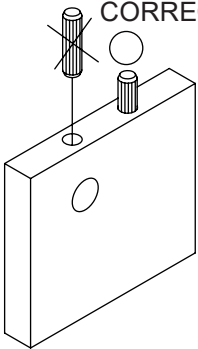
ITEM: 701653

COASTER
FINE FURNITURE

STEP 5

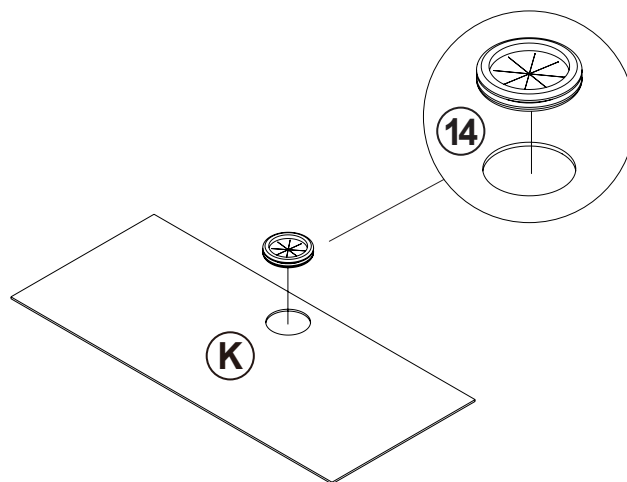
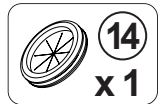


INCORRECT
CORRECT



Apply glue on all wooden dowels to ensure integrity of the structure.

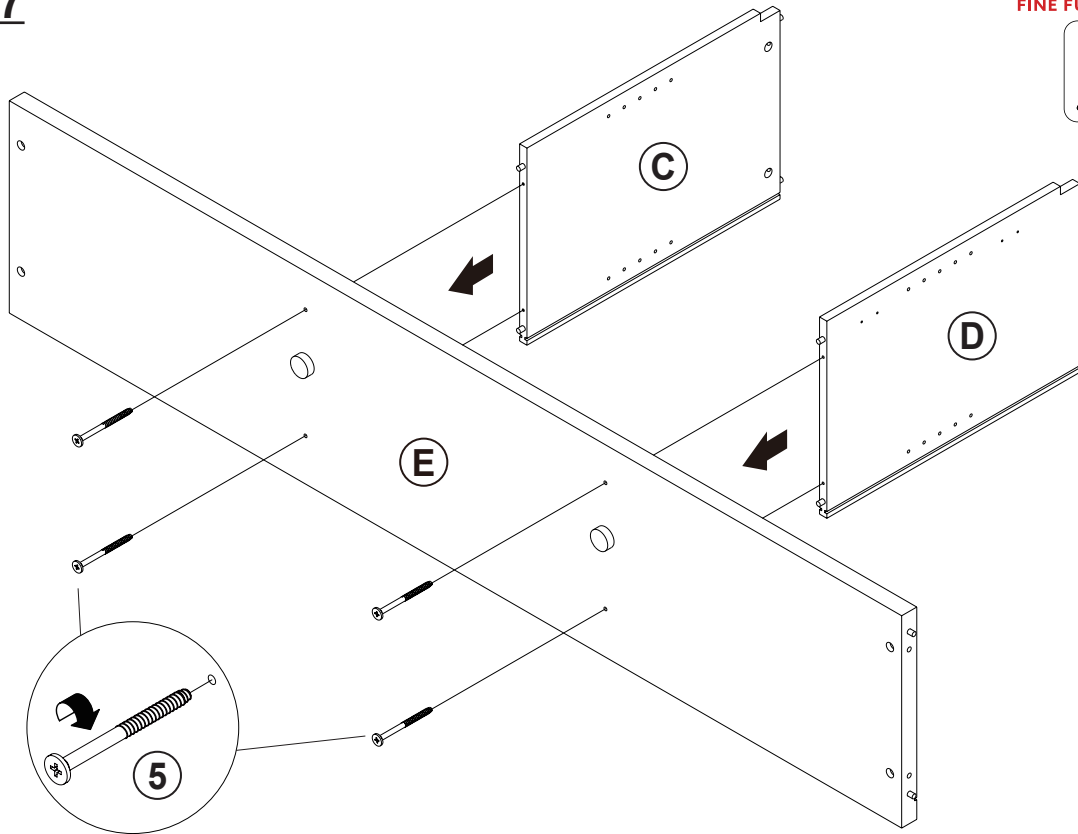
STEP 6



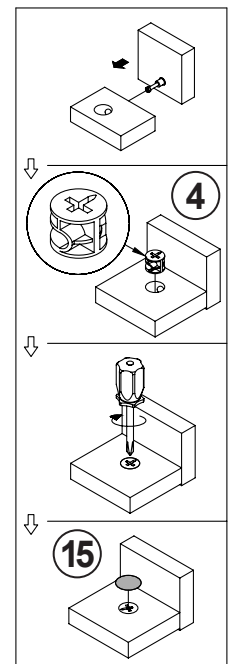
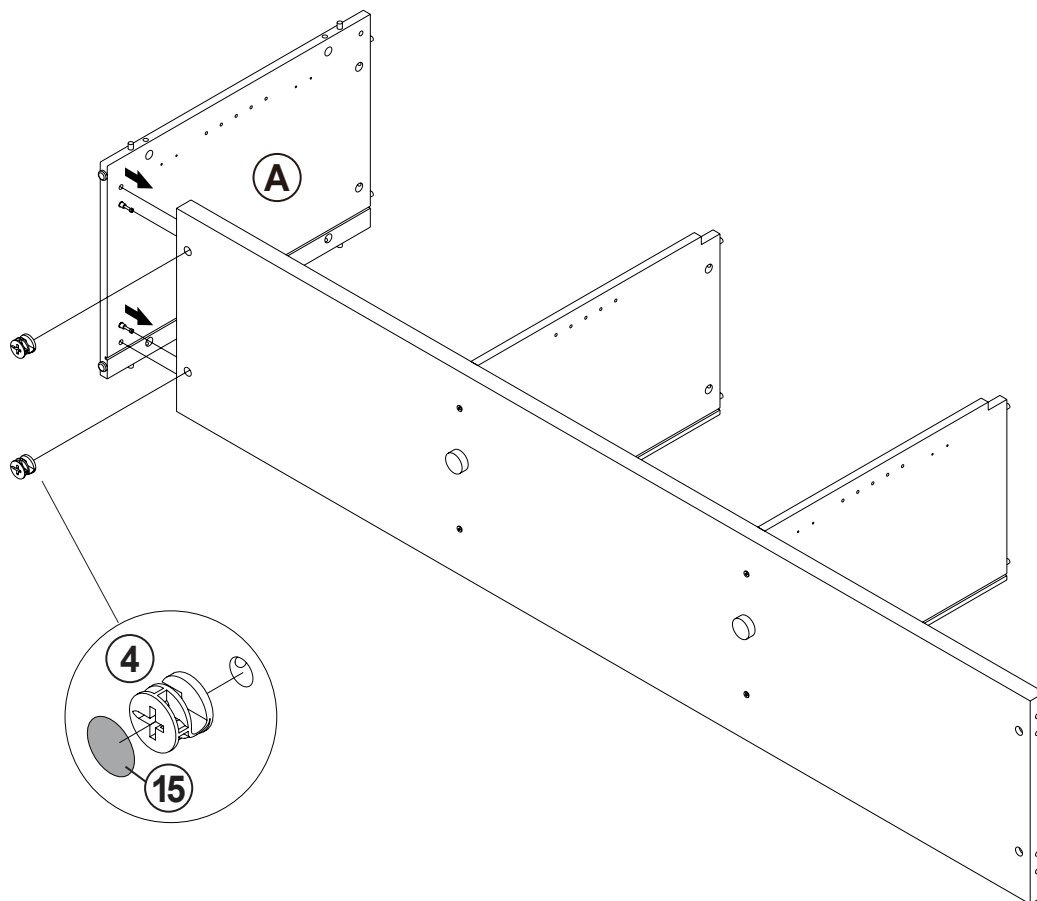
ITEM: 701653

COASTER
FINE FURNITURE

STEP 7



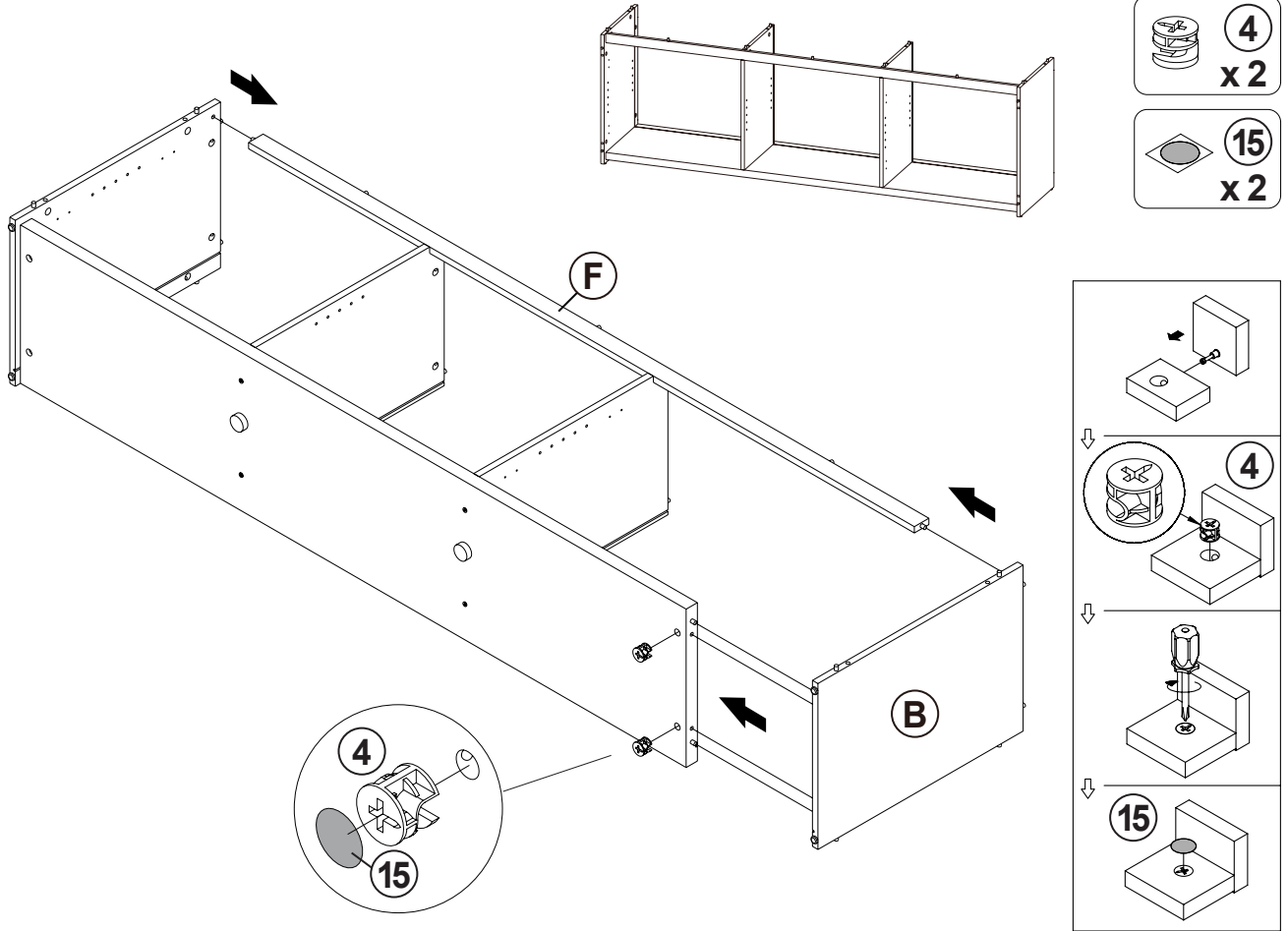
STEP 8



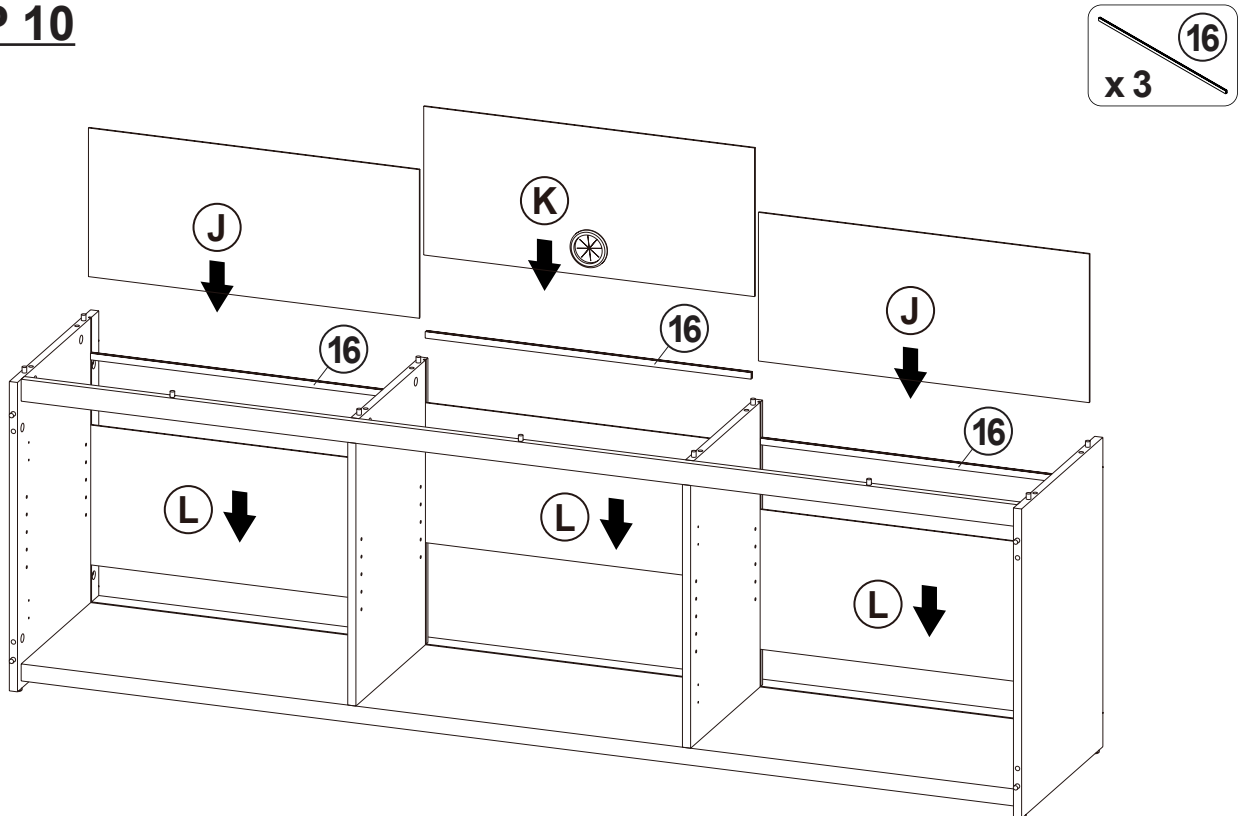
ITEM: 701653

COASTER
FINE FURNITURE

STEP 9



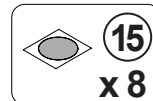
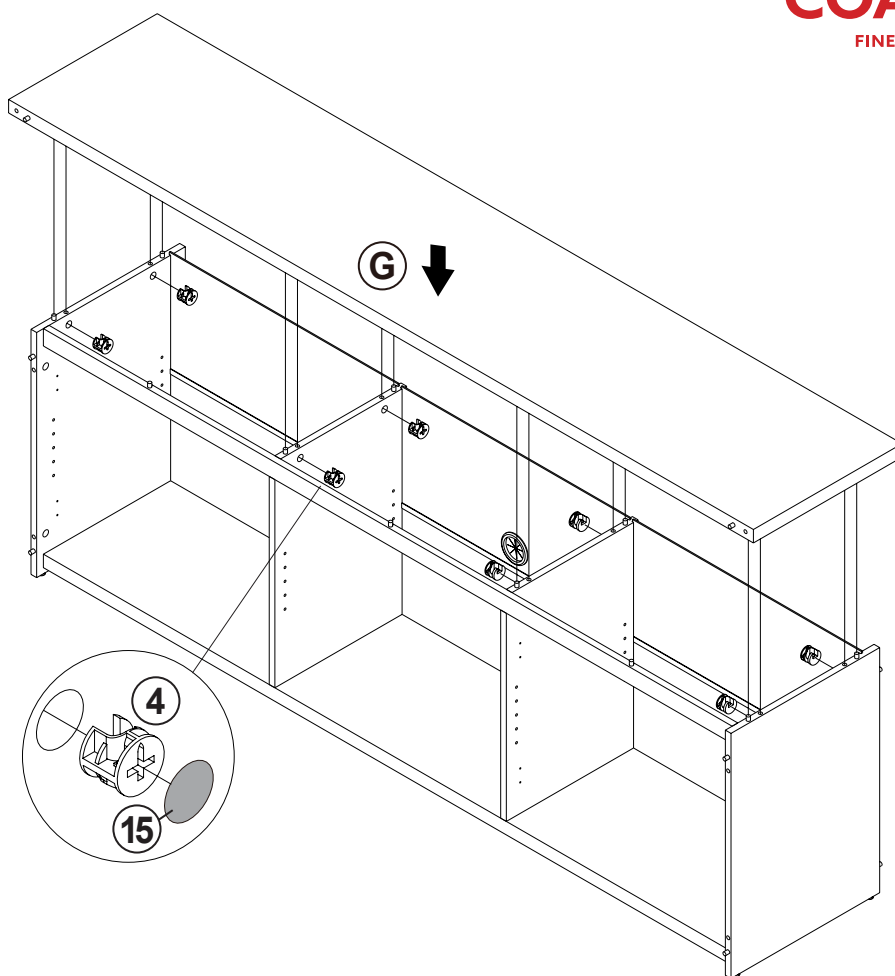
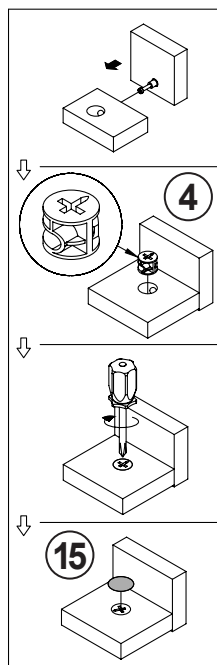
STEP 10



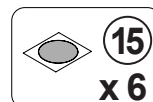
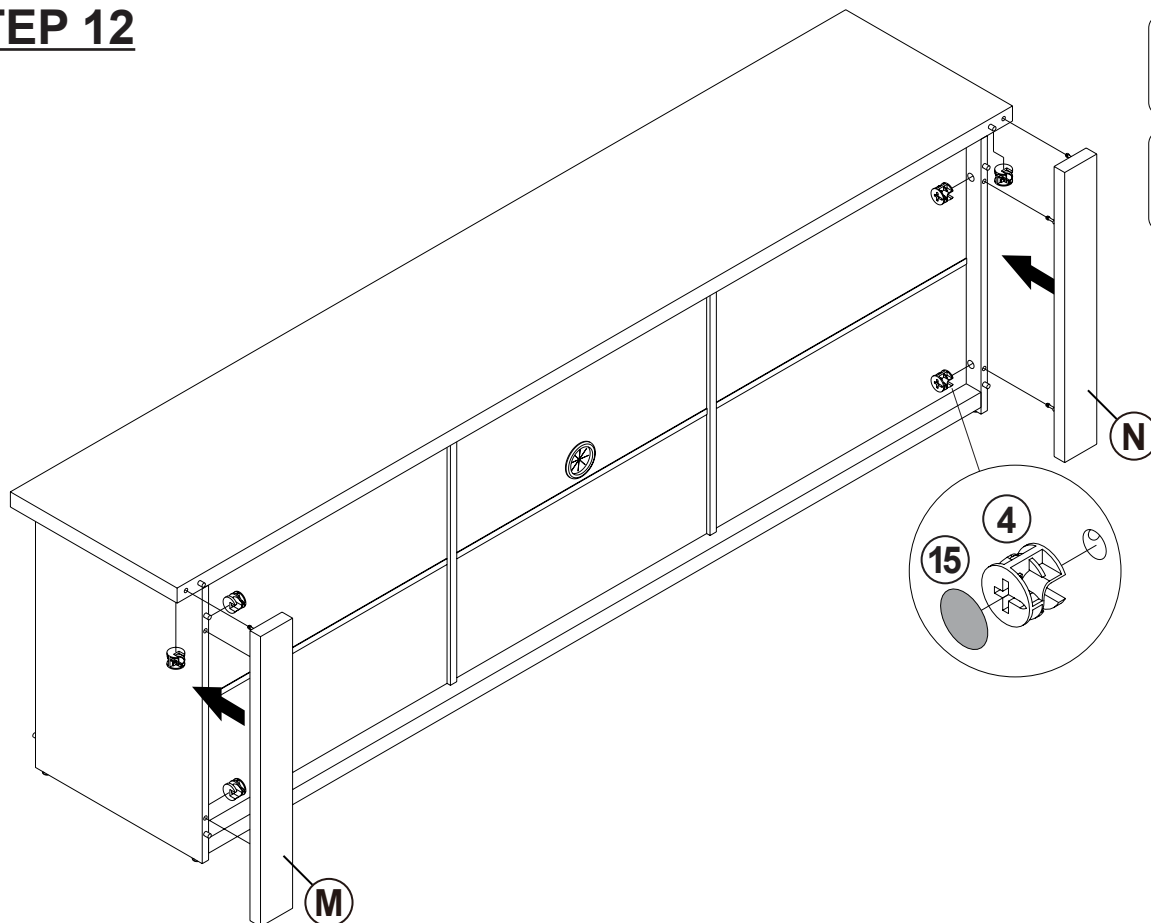
ITEM: 701653

COASTER
FINE FURNITURE

STEP 11



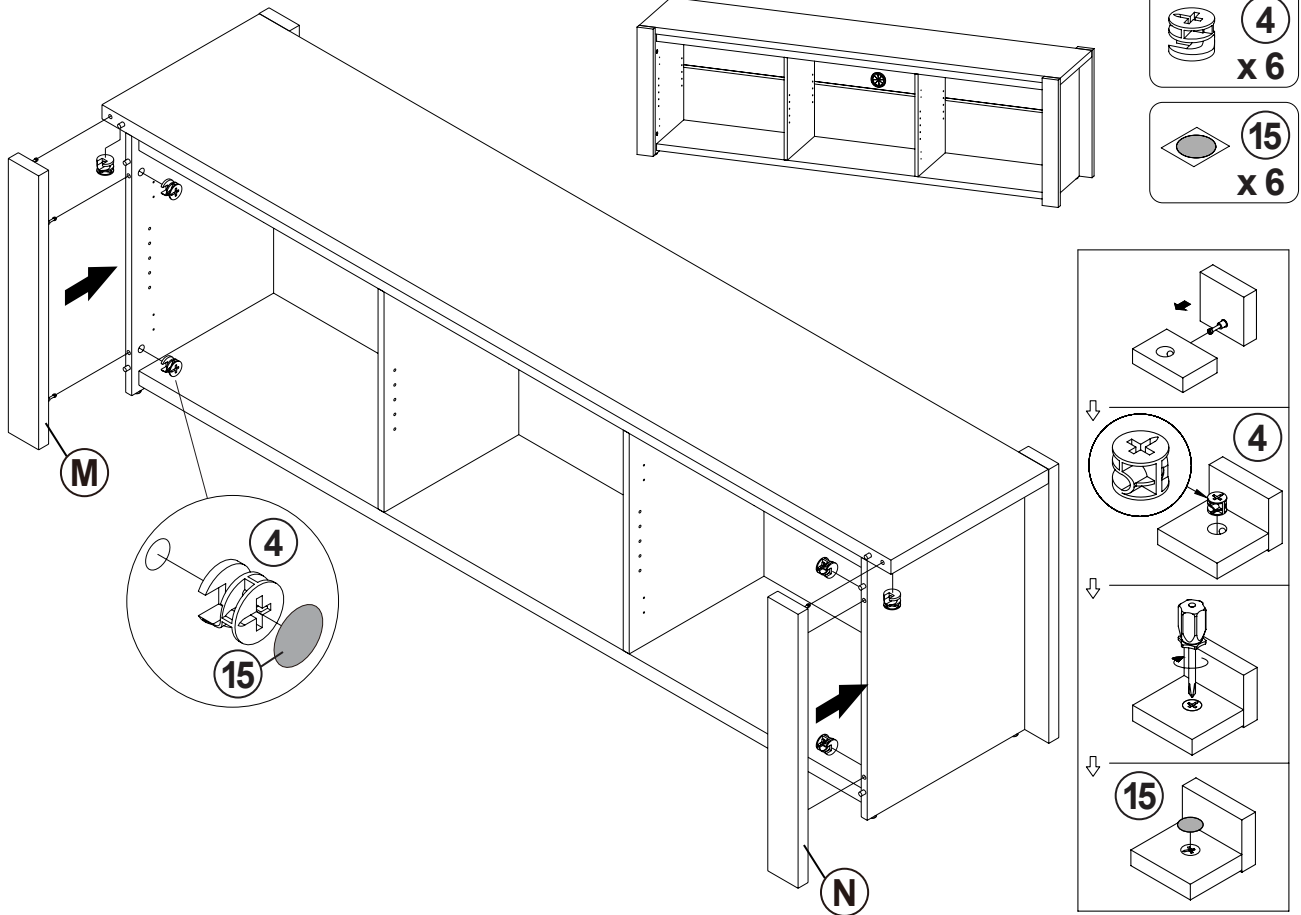
STEP 12



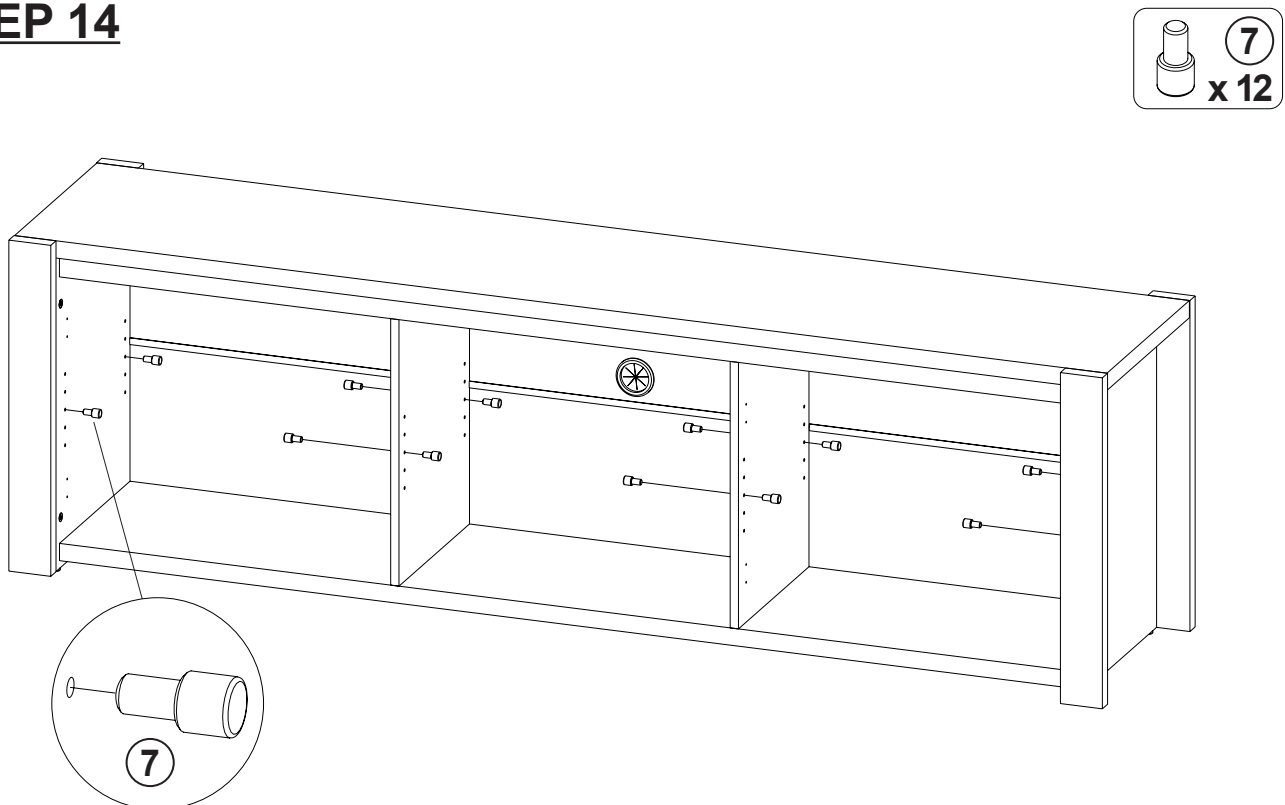
ITEM: 701653

COASTER
FINE FURNITURE

STEP 13

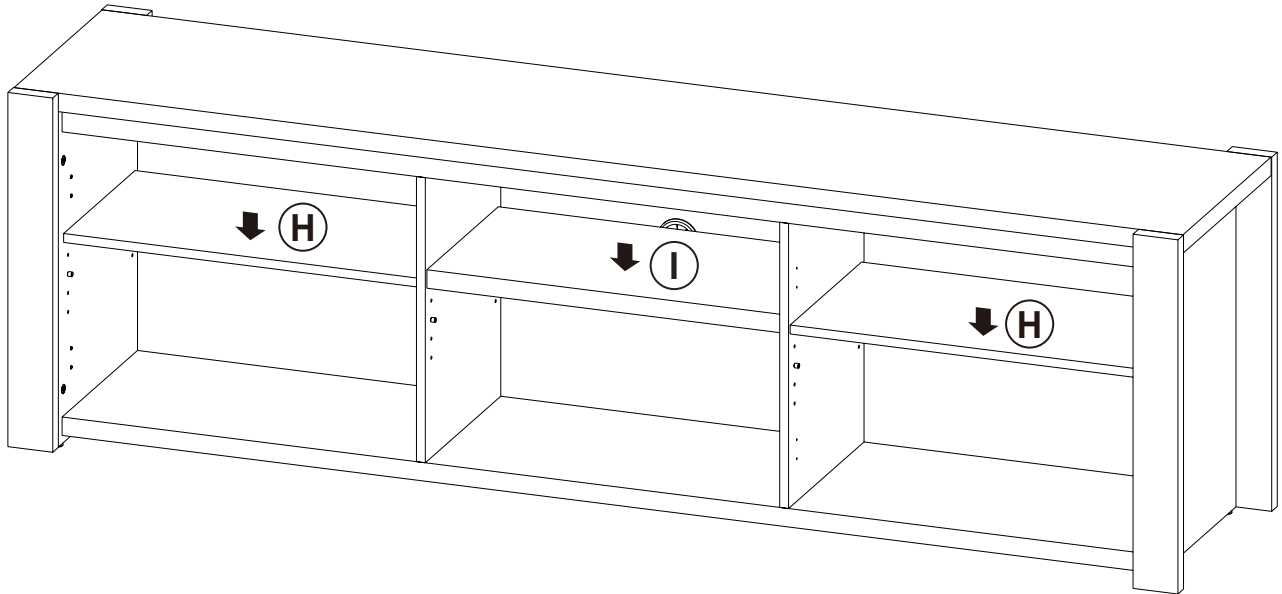


STEP 14

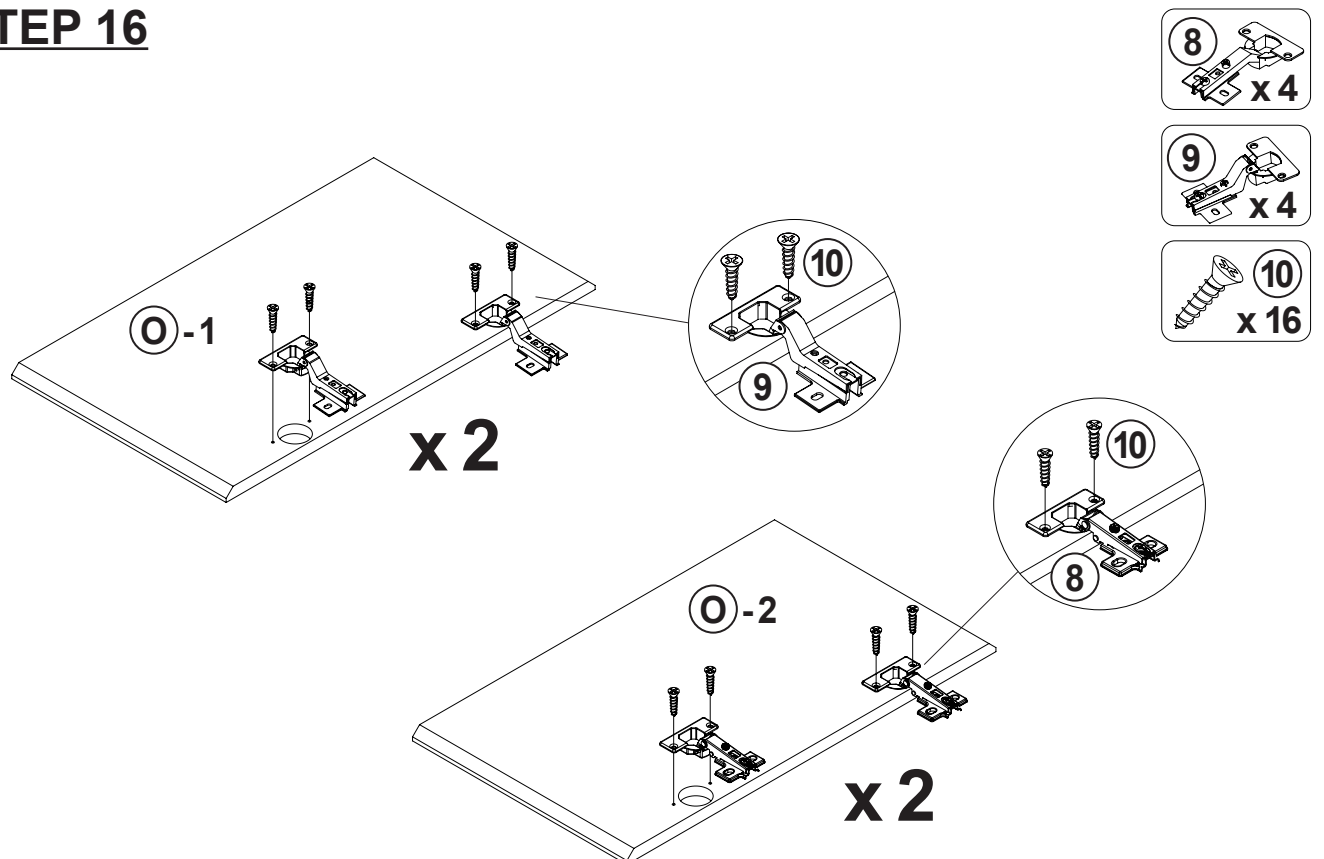


ITEM: 701653

STEP 15



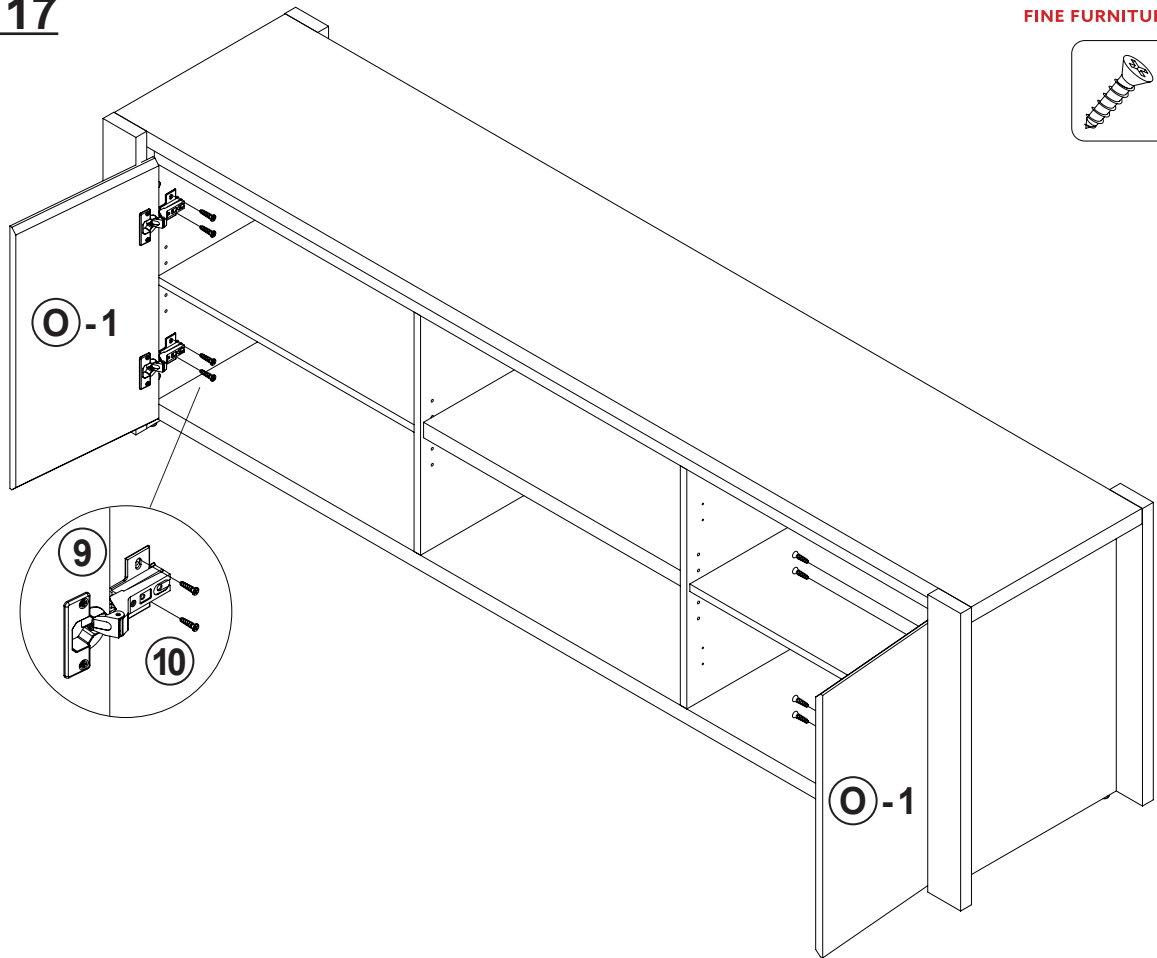
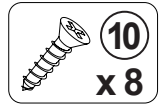
STEP 16



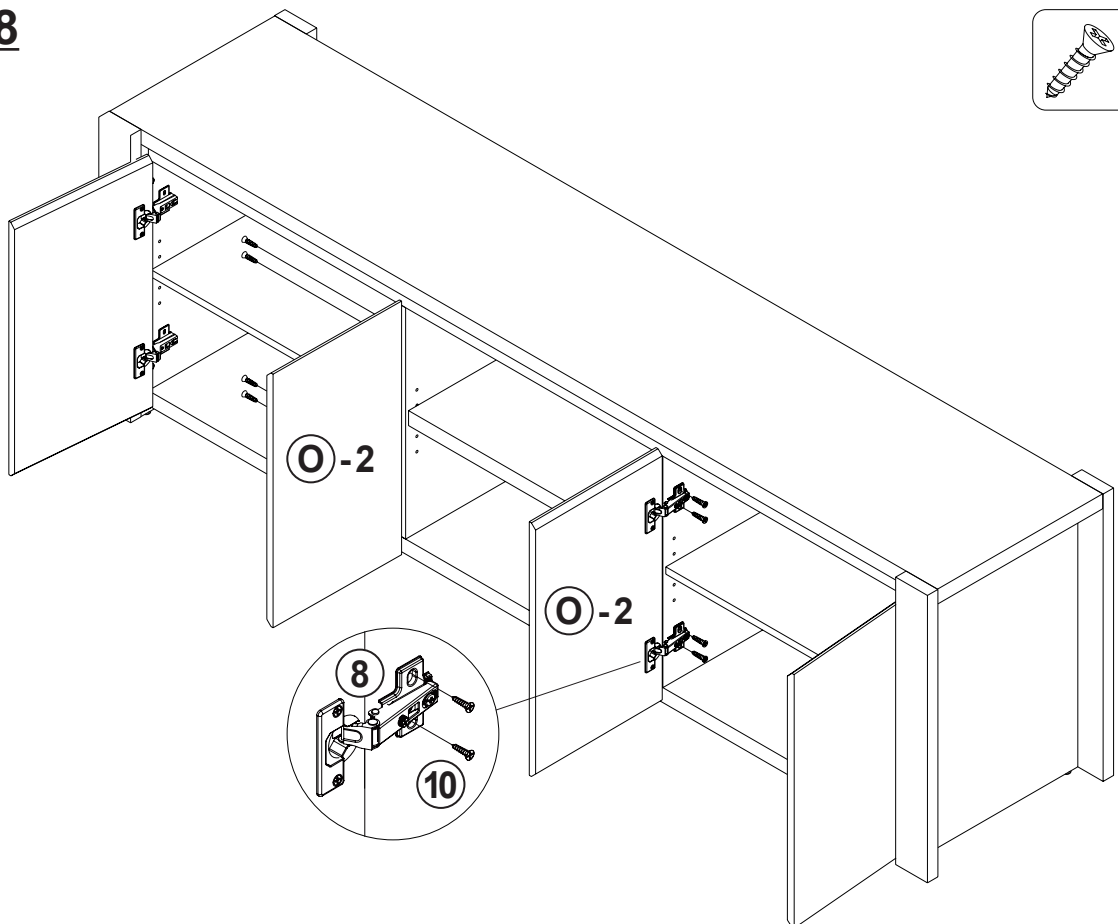
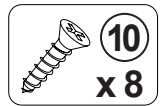
ITEM: 701653

COASTER
FINE FURNITURE

STEP 17

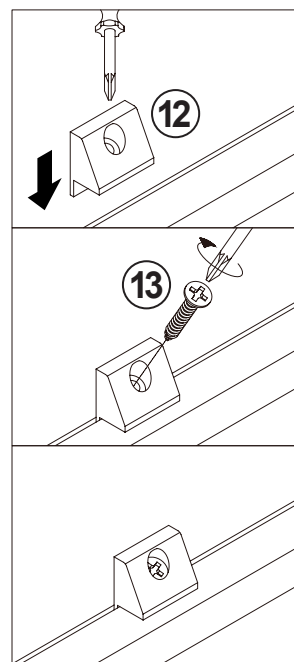
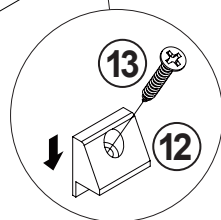
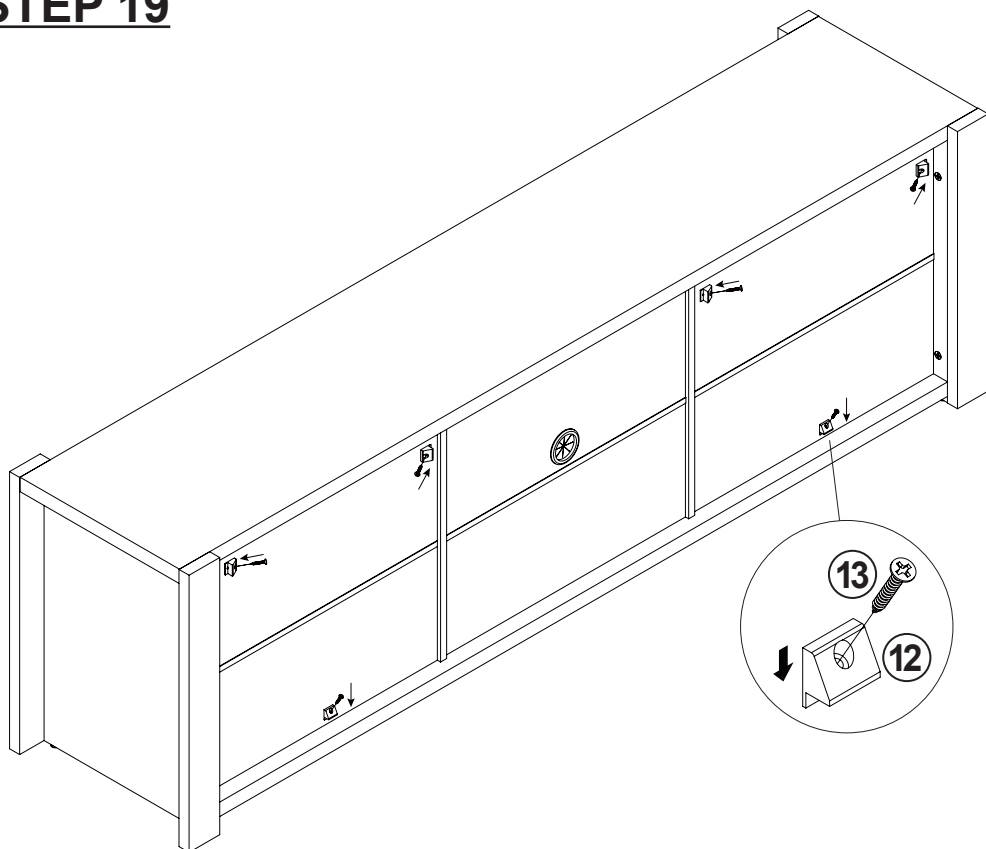
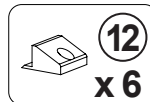


STEP 18



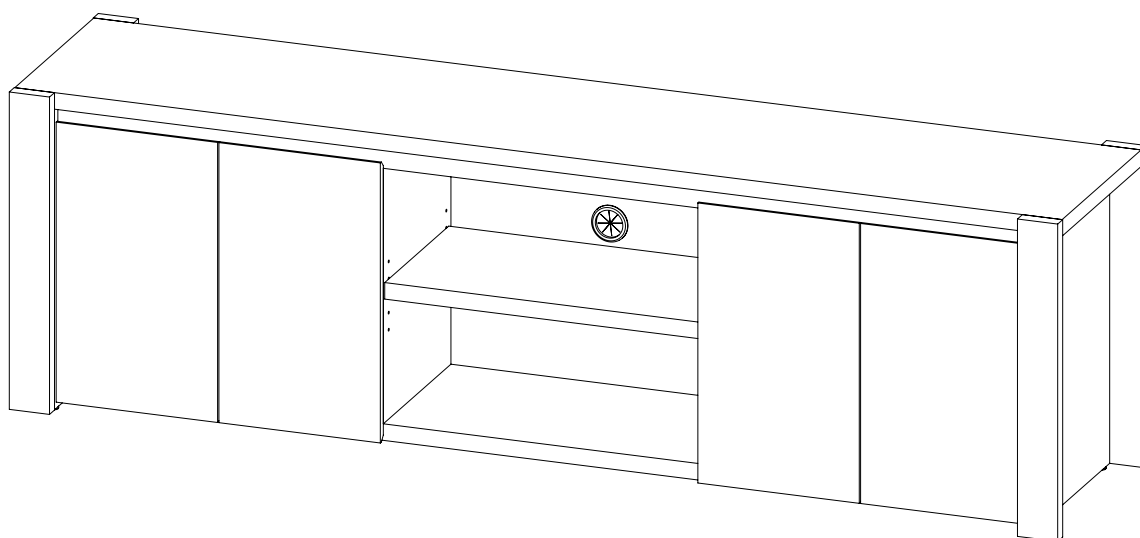
ITEM: 701653

STEP 19



STEP 20

COMPLETE



ITEM: 701653

