



ASSEMBLY INSTRUCTIONS COASTER FINE FURNITURE



Fine Furniture for every stage of life

551891
ARMLESS CHAIR

ITEM: 551891



ASSEMBLY INSTRUCTIONS

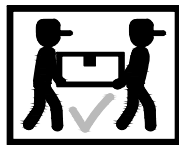
ASSEMBLY TIPS:

1. Remove hardware from box and sort by size.
2. Please check to see that all hardware and parts are present prior to start of assembly.
3. Please follow attached instructions in the same sequence as numbered to assure fast & easy assembly.



WARNING !

1. Don't attempt to repair or modify parts that are broken or defective. Please contact the store immediately.
2. This product is for home use only and not intended for commercial establishments.



ASSEMBLY TIME 10 MINUTES

PARTS IDENTIFICATION

A. ARMLESS
CHAIR BASE



1PC

B. LEG



4PCS

C. BACK CUSHION

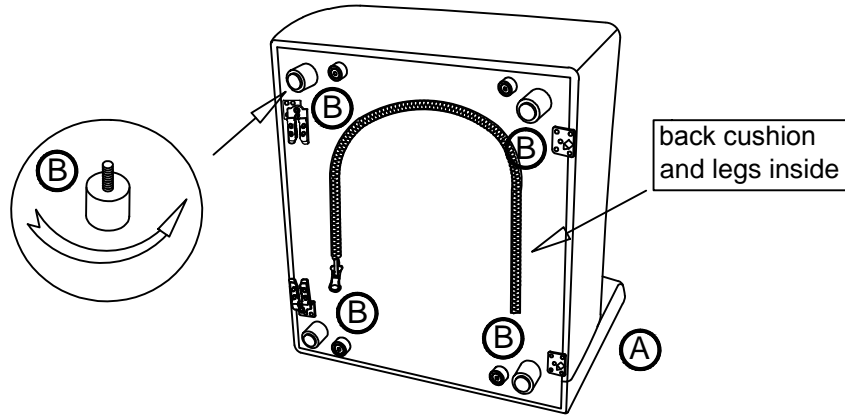


1PC

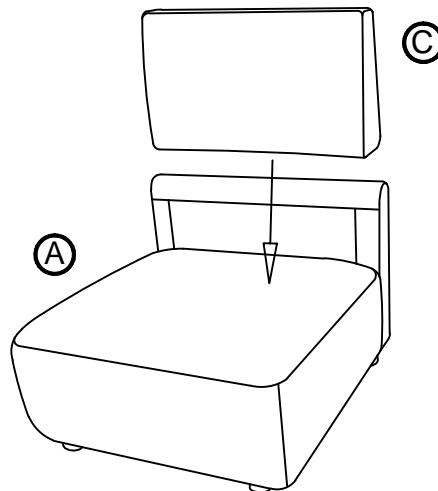
ITEM: **551891**
ASSEMBLY INSTRUCTIONS



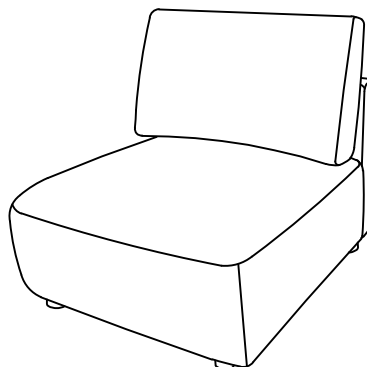
STEP 1



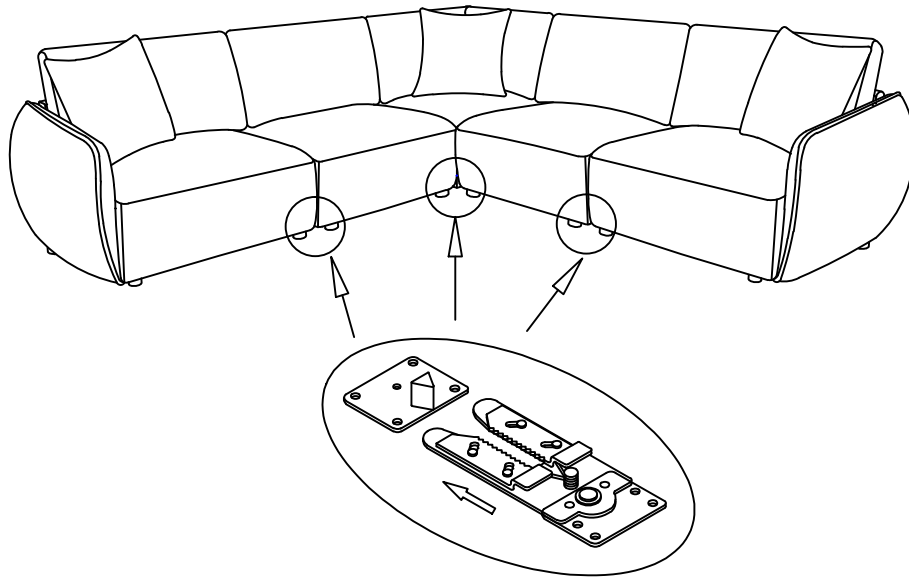
STEP 2



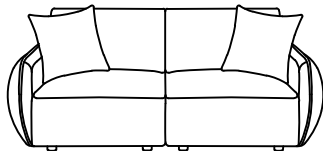
STEP 3



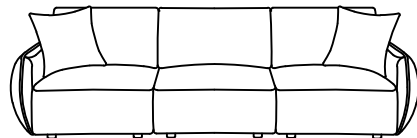
ITEM: 551894LAF/551891/551892/551894RAF
ASSEMBLY INSTRUCTIONS



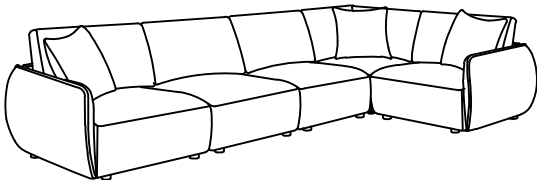
1



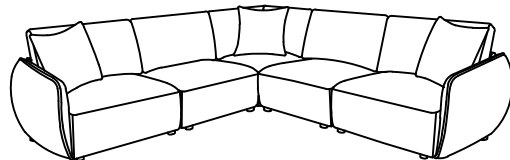
2



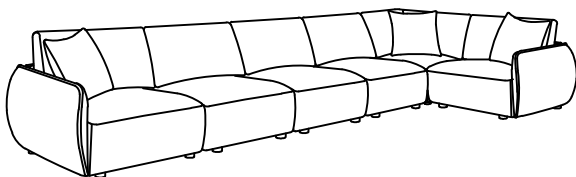
3



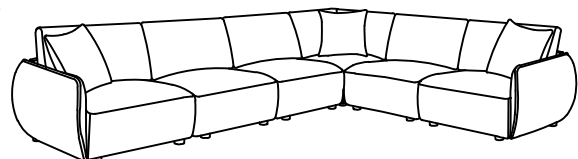
4



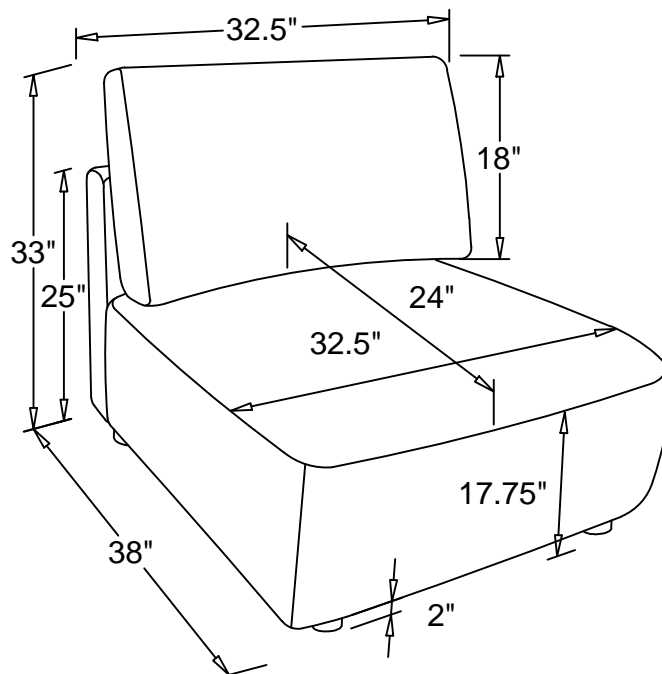
5



6



ITEM: **551891**
ASSEMBLY INSTRUCTIONS



Note: Dimension tolerance $\pm 5\%$

