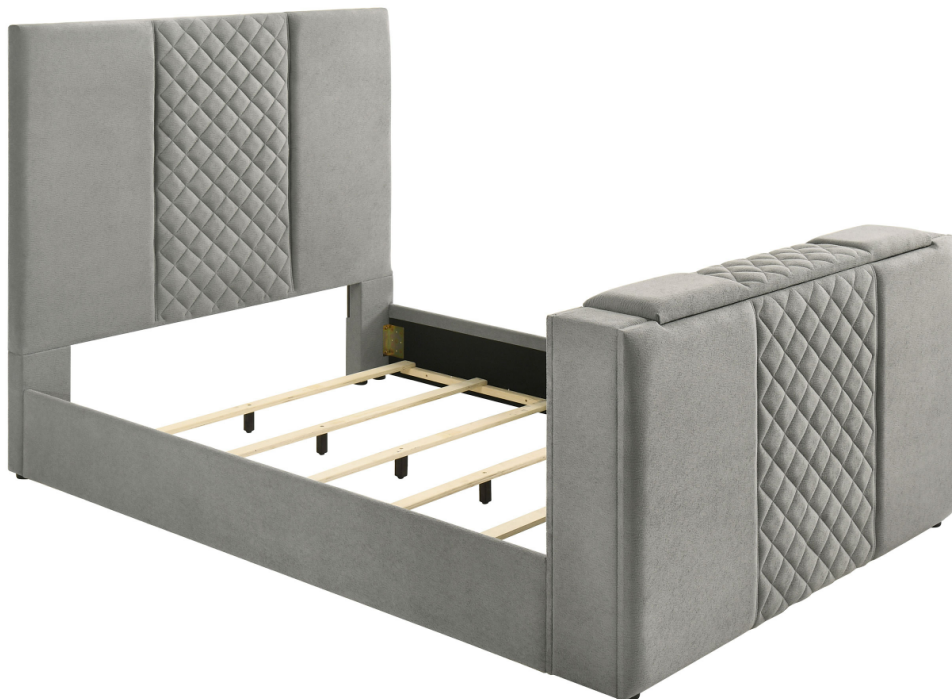


ASSEMBLY INSTRUCTIONS
COASTER FINE FURNITURE



Fine Furniture for every stage of life

315994Q(B1-B3)
Queen Bed

ITEM: 315994Q(B1-B3)



ASSEMBLY INSTRUCTIONS

ASSEMBLY TIPS :

1. Remove hardware from box and sort by size.
2. Please check to see that all hardware and parts are present prior to start of assembly.
3. Please follow attached instructions in the same sequence as numbered to assure fast & easy assembly.



WARNING !

1. Don't attempt to repair or modify parts that are broken or defective. Please contact the store immediately.
2. This product is for home use only and not intended for commercial establishments.



ASSEMBLY TIME

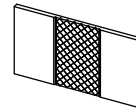
35 MINUTES

TV MAX SIZE: 50"

PARTS IDENTIFICATION

B1 (BOX 1)

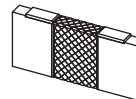
A HEADBOARD PANEL



1PC

B2 (BOX 2)

B FOOTBOARD WITH TV LIFT



1PC

C LEFT HEADBOARD LEG



1PC

D RIGHT HEADBOARD LEG



1PC

E HEADBOARD LEG SUPPORT



2PCS

F BED SLAT SUPPORT WITH LEVELER



5PCS

G FEET



4PCS

H TV MOUNT BRACKET WITH HARDWARE PACKED



1SET

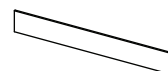
I REMOTE CONTROL + BATTERY



1SET

B3 (BOX 3)

J LEFT BED RAIL



1PC

K RIGHT BED RAIL



1PC

L BED SLAT



5PCS

NOTE:

Phillips head screw driver is required in the assembly process; however, manufacturer does not provide this item.

ITEM: 315994Q(B1-B3)



ASSEMBLY INSTRUCTIONS

ASSEMBLY TIPS :

1. Remove hardware from box and sort by size.
2. Please check to see that all hardware and parts are present prior to start of assembly.
3. Please follow attached instructions in the same sequence as numbered to assure fast & easy assembly.


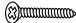






WARNING !

1. Don't attempt to repair or modify parts that are broken or defective. Please contact the store immediately.
2. This product is for home use only and not intended for commercial establishments.







HARDWARE IDENTIFICATION

Z-B2 (BOX 2) - HARDWARE PACK IS LOCATED IN 315994Q(B2)

1	ALLEN WRENCH (Φ4 X 95mm- ZINC)		1PC	4	FLAT HEAD SCREW (Φ4 X 32mm- RBW)		14PCS
2	SHORT BOLT (Φ6 X 30mm- RBW)		8PCS	5	LOCK WASHER (Φ6 - RBW)		18PCS
3	LONG BOLT (Φ6 X 45mm- RBW)		15PCS	6	FLAT WASHER (Φ7 X 19mm X 2.0 - RBW)		18PCS

HARDWARE PACK FROM PART H FOR TV MOUNTING IN FOOTBOARD

**ATTENTION : Hardware provided may not suitable for your TV.
Please check for size and fit compatibility prior to installing TV to rack.**

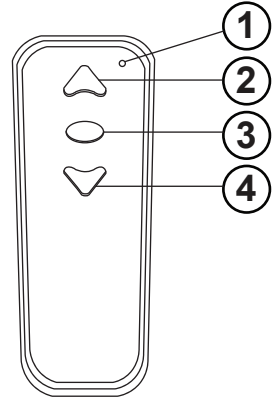
7	BIG ALLEN WRENCH (M5 x 60mm - WZ)		1PC	10	SMALL BOLT (M6 x 20mm - RWB)		2PCS
8	BIG BOLT (M8 x 20mm - RBW)		2PCS	11	LOCK WASHER (M8 - RBW)		2PCS
9	SMALL ALLEN WRENCH (M4 x 55mm - WZ)		1PC	12	BIG FLAT WASHER (M8 - RBW)		2PCS

NOTE:

Phillips head screw driver is required in the assembly process; however, manufacturer does not provide this item.

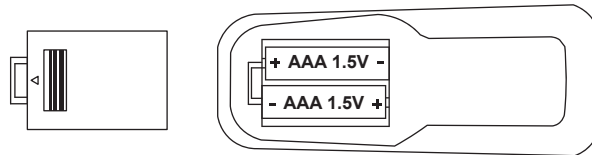
1 - REMOTE CONTROL:

- ① **Indicator light:** When the remote control sends a signal, the indicator light is on.
- ② **Up button:** Press this button to make the main body rise.
- ③ **Stop button:** Press this button to stop the main body.
- ④ **Down button:** Press this button to make the main body descend.



The battery compartment is located on the back of the remote control.

1. Press and slide the battery cover to open.
2. Insert two 1.5V (AAA) batteries (included) ensuring the correct polarity (+ and -) is marked inside the battery compartment.
3. Close the battery cover.



*NOTE: The batteries must be removed if the product is not to be used for a long period of time. When replacing the batteries, replace both batteries with new batteries of the same type at the same time.

- Do not mix old and new batteries.
- Do not mix alkaline, standard (Carbon-Zinc) or rechargeable (Nicad, Nimh, etc.) batteries.

Self-learning password function: (Each elevator has its own independent password. When replacing a new remote control, it needs to be paired once before it can be used.)

1. Unplug the elevator control box and input the main power and wait for at least 1 Minutes.
2. Press the up/down button of the remote control with one hand, and turn on the control box with the other hand. Wait for about five seconds. The elevator will pair itself after receiving the signal from the remote control, and then the elevator will rise/lower.
3. After the self-learning code is successful, the elevator will be controlled by this remote control.

***Note:** The maximum effective control distance of the remote control is 15 feet.

2 - TV LIFT RESTART GUIDE

TRIGGERING THE CHILD SAFETY MODE:

If the TV lift runs continuously for 6 minutes, the system will activate the “Child Safety Mode”, preventing further operation.

RECOVERY STEPS:

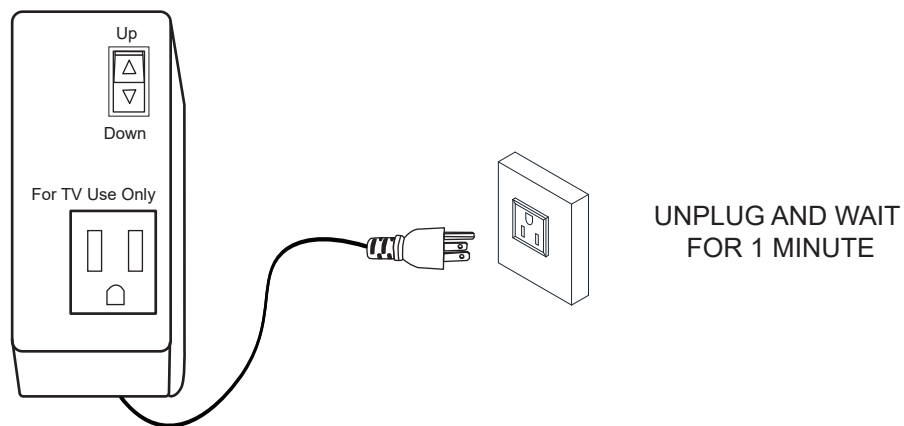
Unplug the power and wait for 60 seconds.

Reconnect the power, then **RESET THE REMOTE CONTROL**, follow the reset instructions.

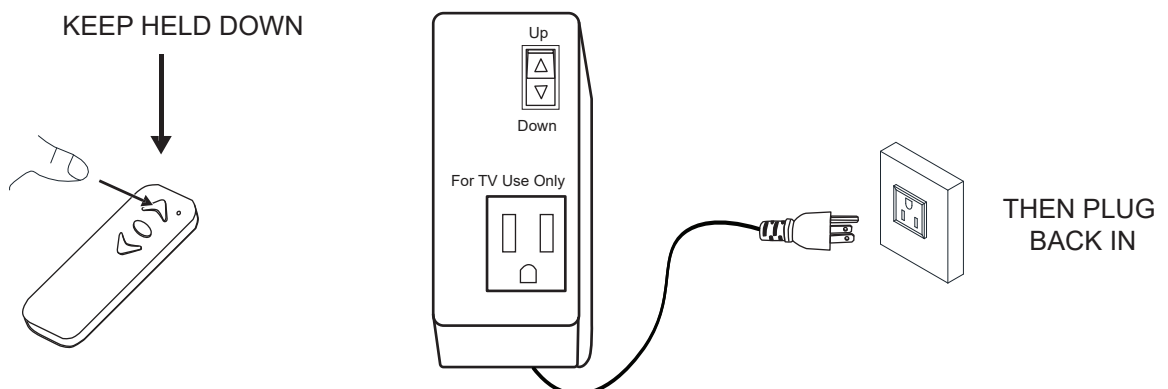
The TV stand will resume normal operation.

RESET TV LIFT REMOTE CONTROL

Step 1: Turn off all power to the bed for 60 seconds.



Step 2: Press either up or down on TV lift remote control and keep the button pressed.



Step 3: Turn power back on. Lift shall move then release button. Continue to operate normally.

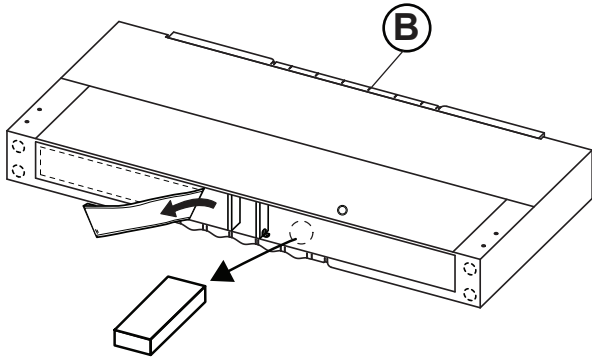
ITEM: 315994Q(B1-B3)



ASSEMBLY INSTRUCTIONS

STEP 1

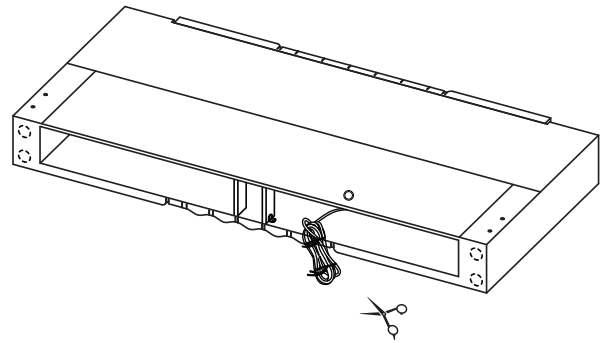
Remove the cover at the bottom of the Footboard (B).



PARTS C TO G
INSIDE THE BOX

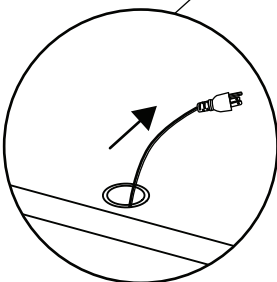
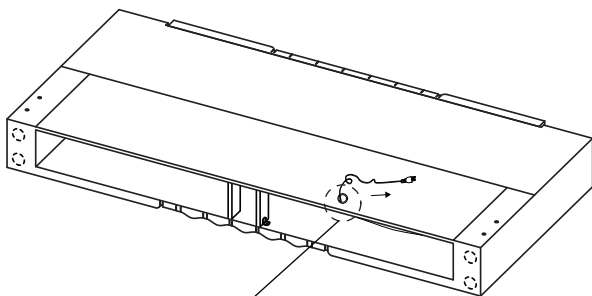
STEP 2

Use scissors to cut off the strap.



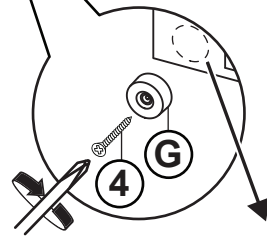
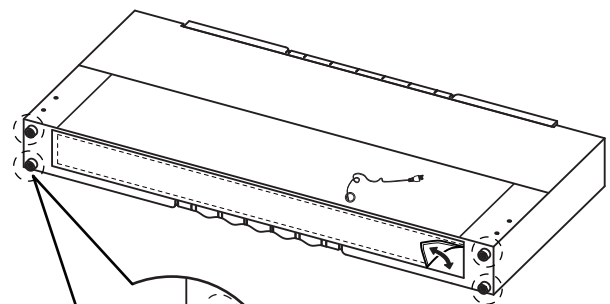
STEP 3

Pull out the Wire to the required length.



STEP 4

Seal back the cover at the bottom of the Footboard (B)



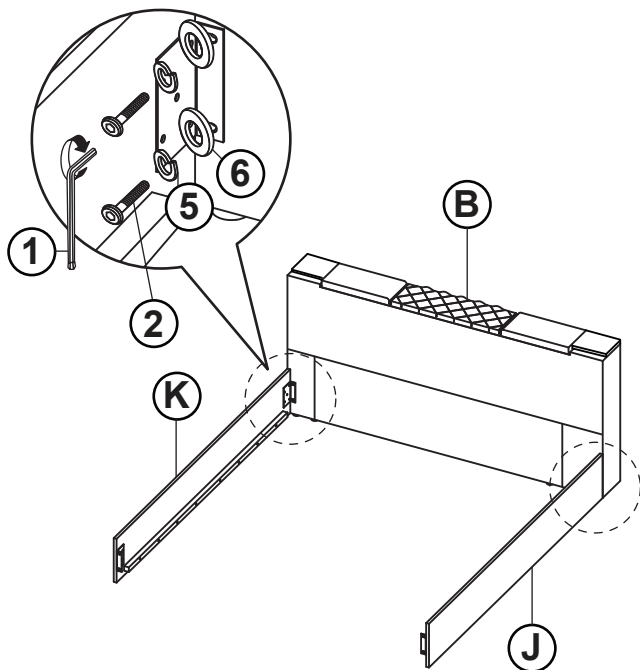
Marking Line

ITEM: 315994Q(B1-B3)

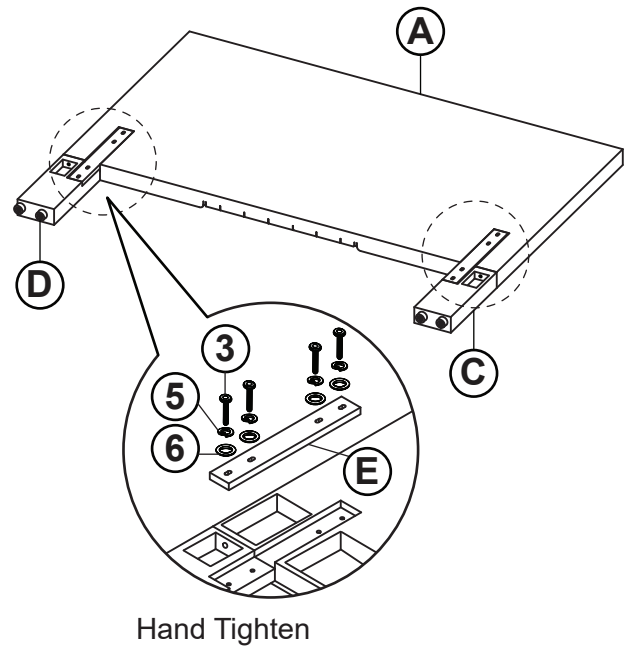


ASSEMBLY INSTRUCTIONS

STEP 5

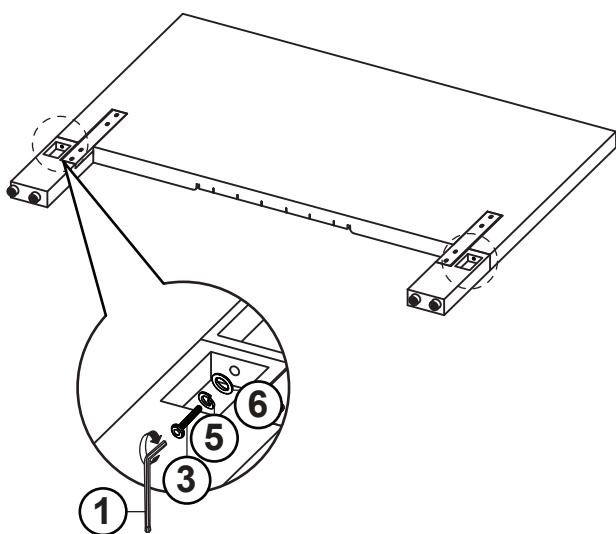


STEP 6

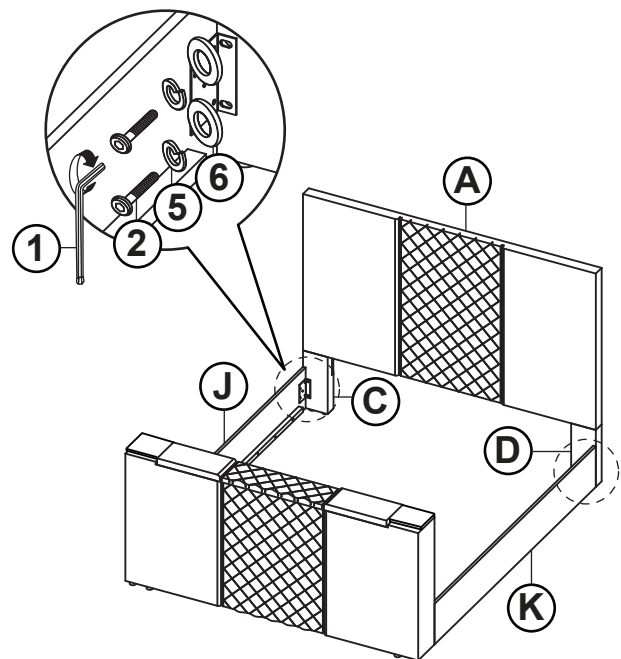


STEP 7

Fully tighten after all the Long Bolt (3), Lock Washer (5) & Flat Washer (6) have been fixed.



STEP 8

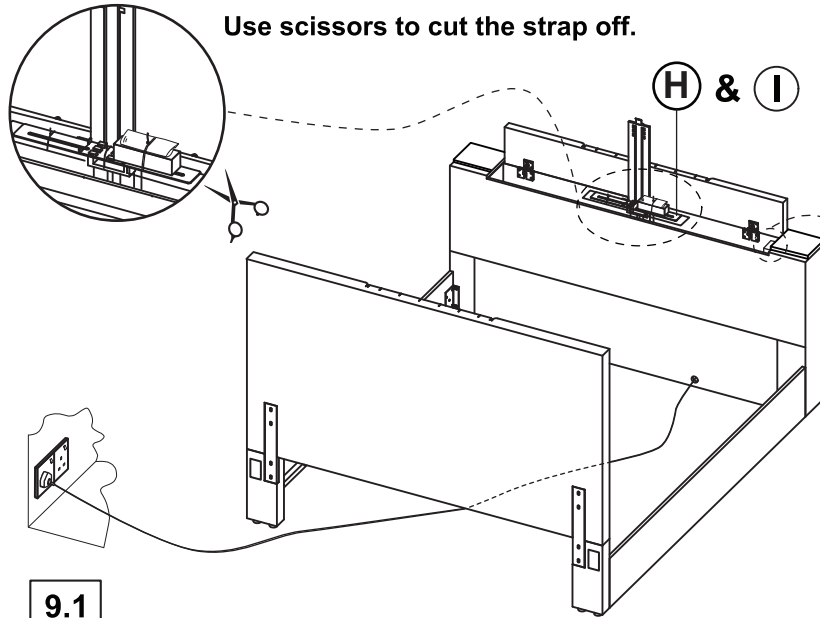


ITEM: 315994Q(B1-B3)



ASSEMBLY INSTRUCTIONS

STEP 9



Use scissors to cut the strap off.

9.2

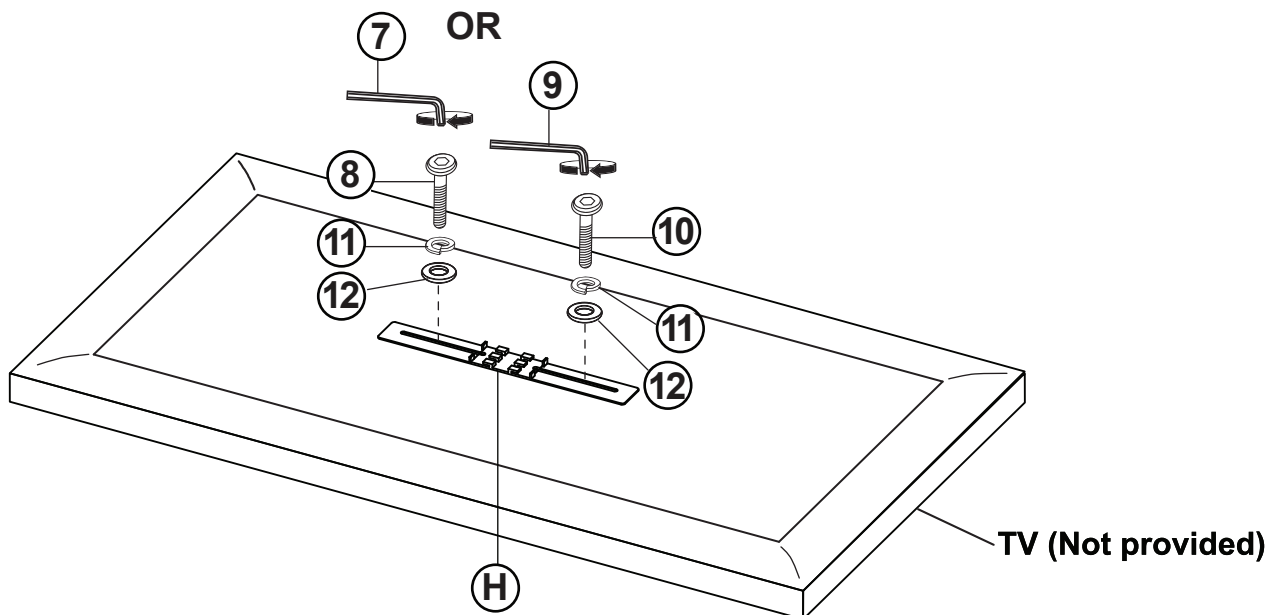
Press the "Up" to raise the TV Stand.

9.1

Connect to the power supply.

STEP 10 TV INSTALLATION

Pay Attention!
Suitable for TV 50 inches and below.

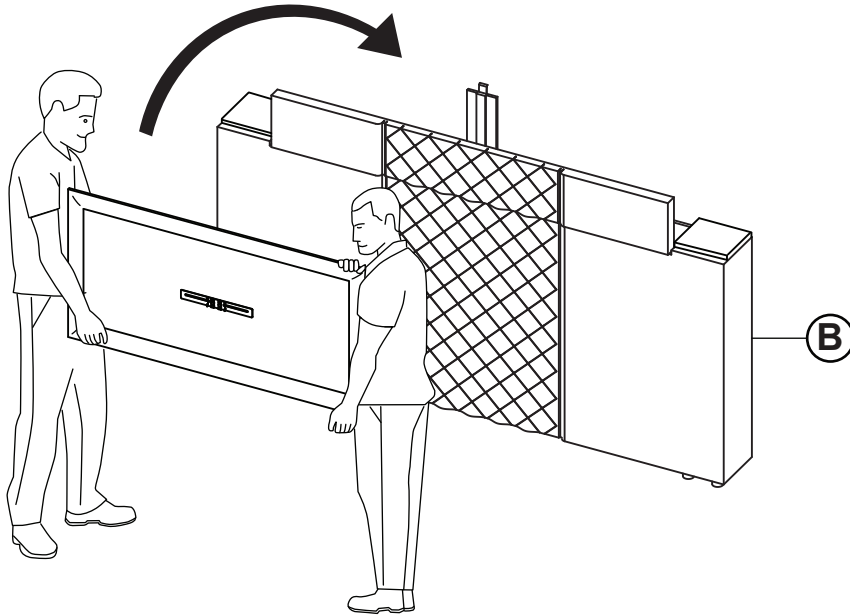


ITEM: **315994Q(B1-B3)**

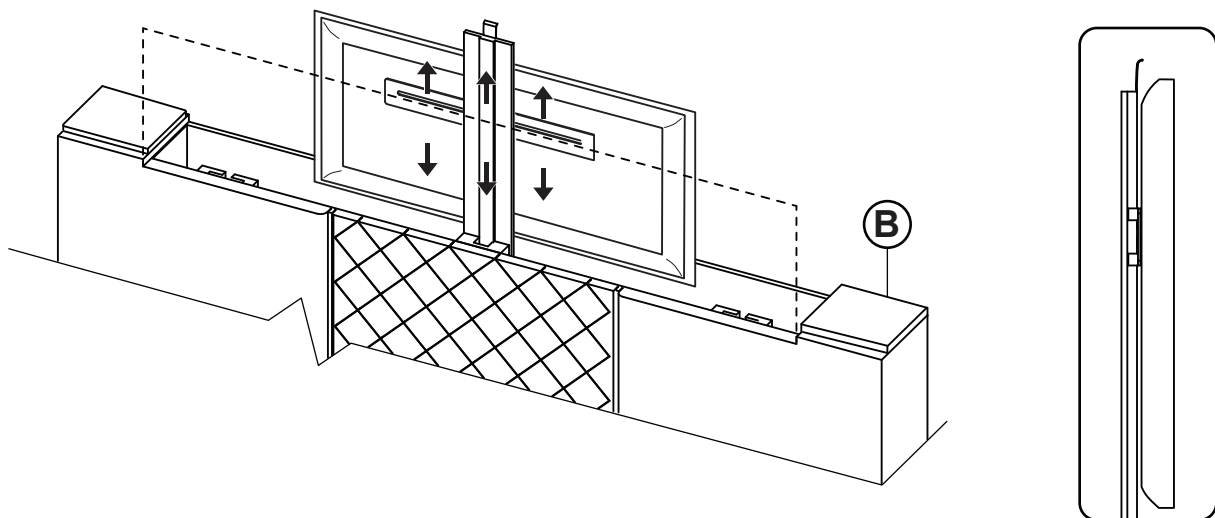
ASSEMBLY INSTRUCTIONS



STEP 11



STEP 12



ITEM: 315994Q(B1-B3)

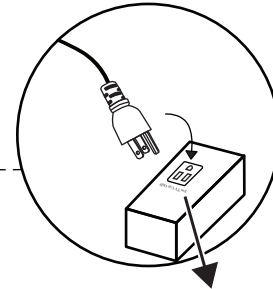
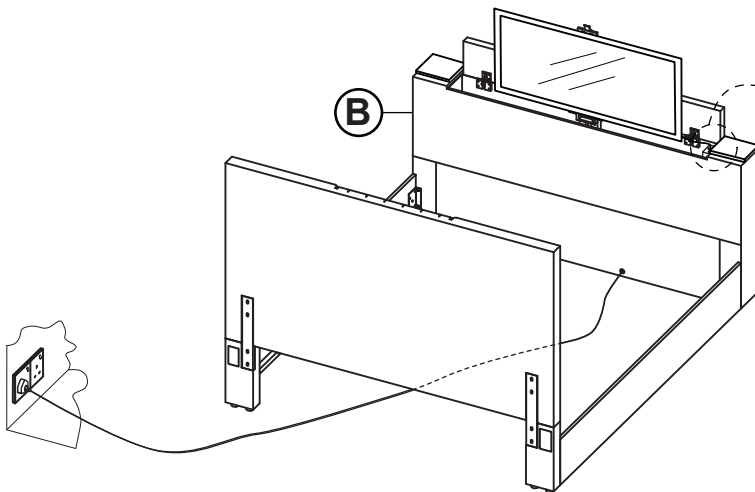


ASSEMBLY INSTRUCTIONS

STEP 13

13.1

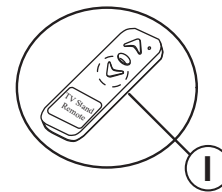
Connect to the TV power supply.



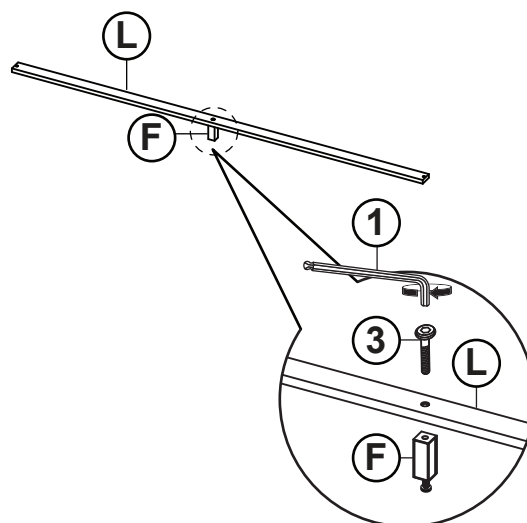
For TV Use Only

13.2

Press the "Down" to lower the TV Stand.



STEP 14

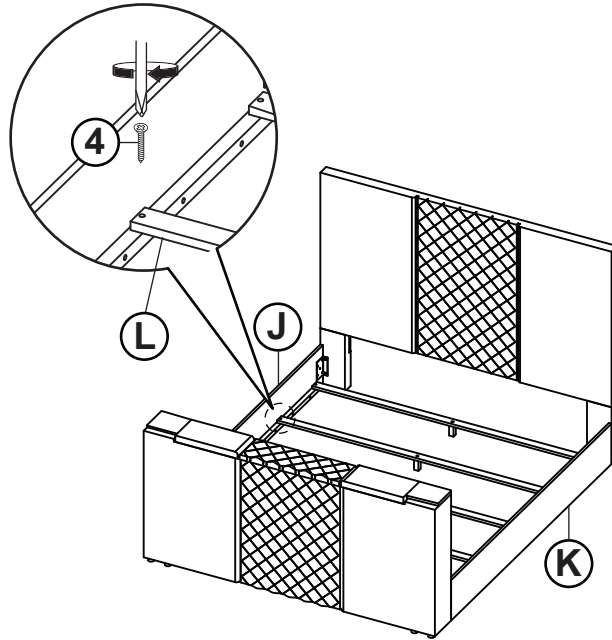


ITEM: **315994Q(B1-B3)**

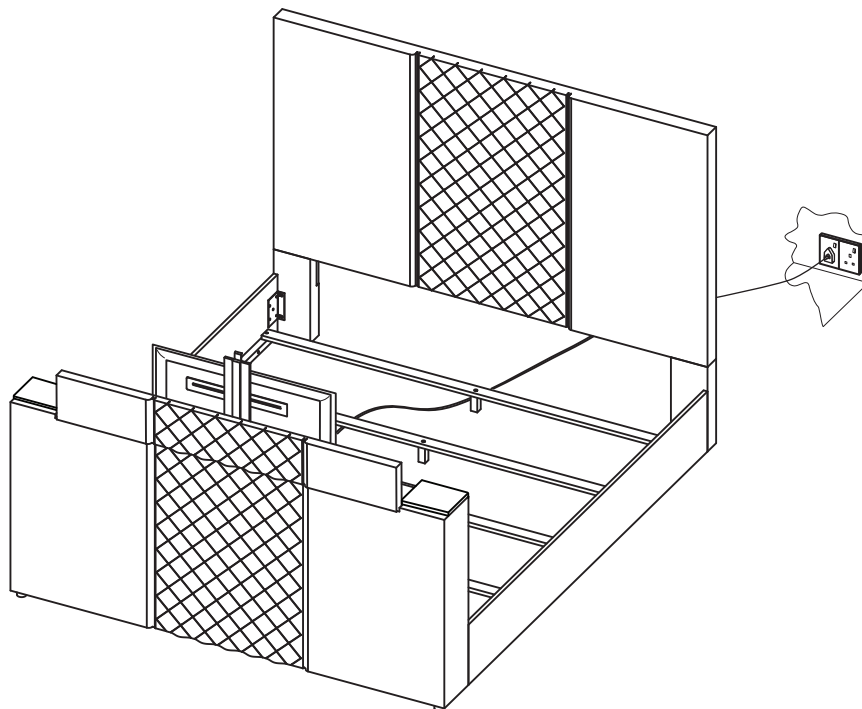


ASSEMBLY INSTRUCTIONS

STEP 15



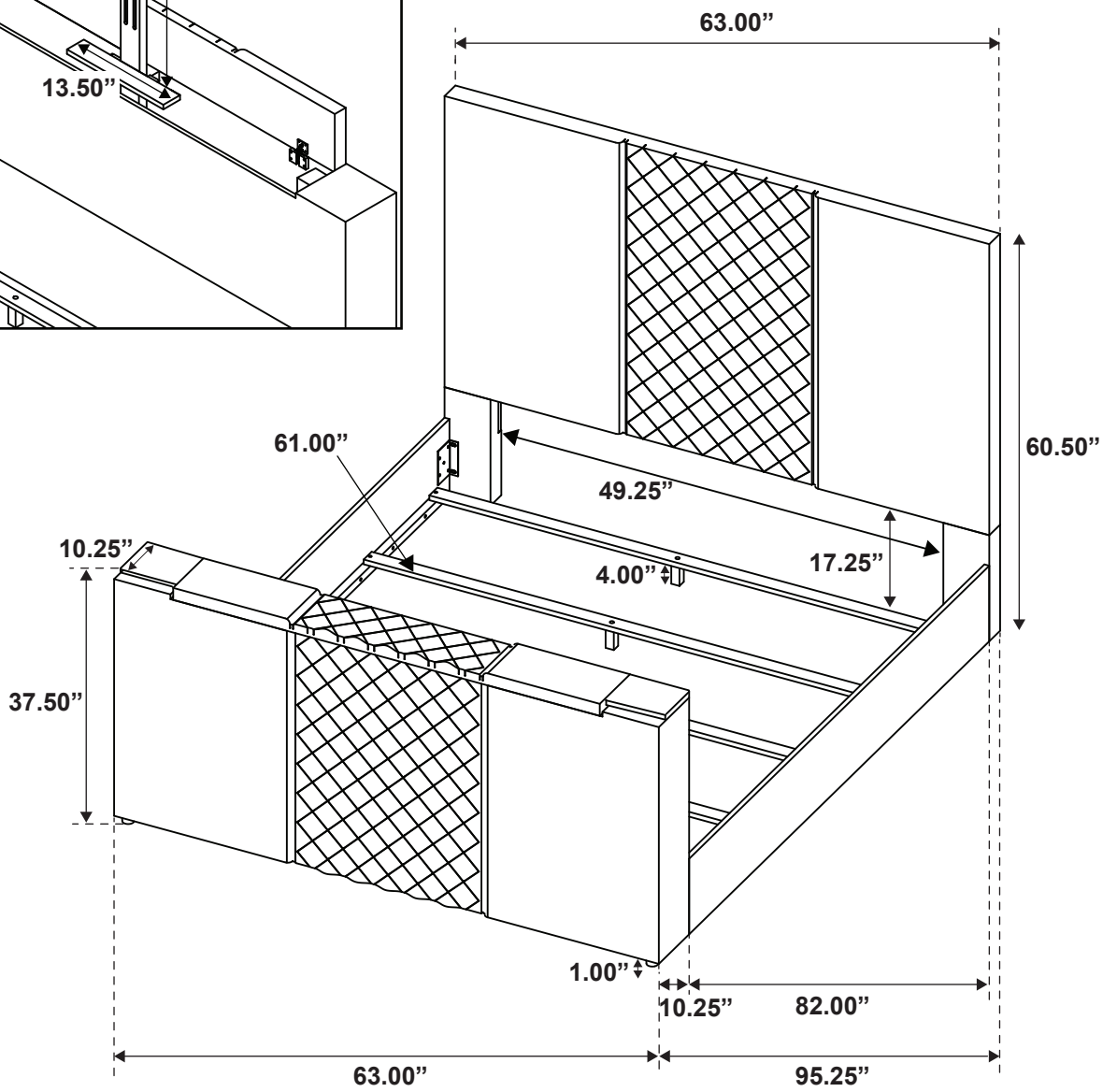
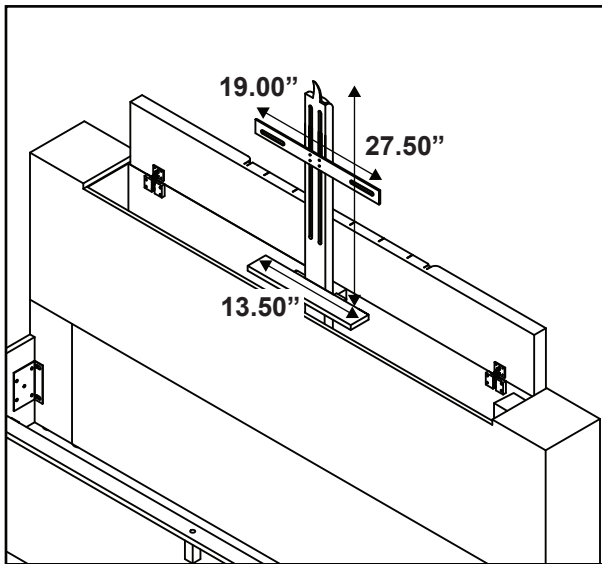
STEP 16
COMPLETE



ITEM: 315994Q(B1-B3)



Inner Size : 61.00"W x 82.00"D



Note: Dimension tolerance $\pm 5\%$