

*ASSEMBLY INSTRUCTIONS*  
*COASTER FINE FURNITURE*



*Fine Furniture for every stage of life*

**315975Q(B1&B2)**  
**Queen Bed**

# ITEM: 315975Q(B1&B2)



## ASSEMBLY INSTRUCTIONS

### ASSEMBLY TIPS :

1. Remove hardware from box and sort by size.
2. Please check to see that all hardware and parts are present prior to start of assembly.
3. Please follow attached instructions in the same sequence as numbered to assure fast & easy assembly.



### WARNING !

1. Don't attempt to repair or modify parts that are broken or defective. Please contact the store immediately.
2. This product is for home use only and not intended for commercial establishments.



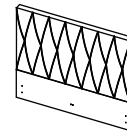
ASSEMBLY TIME

35 MINUTES

## PARTS IDENTIFICATION

### B1 (BOX 1)

A HEADBOARD PANEL



1PC

### B2 (BOX 2)

B FOOTBOARD PANEL



1PC

C LEG



4PCS

D CENTER RAIL



1PC

E WOOD CLEAT



2PCS

F BED SLAT WITH 1 HOLE



3PCS

G BED SLAT WITHOUT HOLE



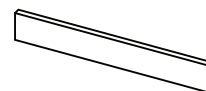
2PCS

H CENTER RAIL SUPPORT WITH LEVELER



3PCS

I LEFT BED RAIL WITH "L" LABEL



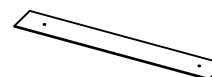
1PC

J RIGHT BED RAIL WITH "R" LABEL



1PC

K CONCEAL PANEL



5PCS

### NOTE:

Phillips head screw driver is required in the assembly process; however, manufacturer does not provide this item.

# ITEM: 315975Q(B1&B2)



## ASSEMBLY INSTRUCTIONS

### ASSEMBLY TIPS :

1. Remove hardware from box and sort by size.
2. Please check to see that all hardware and parts are present prior to start of assembly.
3. Please follow attached instructions in the same sequence as numbered to assure fast & easy assembly.





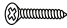






### WARNING !

1. Don't attempt to repair or modify parts that are broken or defective. Please contact the store immediately.
2. This product is for home use only and not intended for commercial establishments.

## HARDWARE IDENTIFICATION

### Z-B2 (BOX 2) - HARDWARE PACK IS LOCATED IN 315975Q(B2)

1	<b>ALLEN WRENCH</b> (Φ4 X 95mm - WZ)		1PC
2	<b>SHORT BOLT</b> (Φ6 X 30mm - RBW)		8PCS
3	<b>MEDIUM BOLT</b> (Φ6 X 45mm - RBW)		4PCS
4	<b>LONG BOLT</b> (Φ6 X 60mm - RBW)		3PCS
5	<b>SHORT FLAT HEAD SCREW</b> (Φ4 X 25mm - RBW)		10PCS
6	<b>MEDIUM FLAT HEAD SCREW</b> (Φ4 X 32mm - RBW)		12PCS
7	<b>LONG FLAT HEAD SCREW</b> (Φ4 X 45mm - RBW)		8PCS
8	<b>LOCK WASHER</b> (Φ6 - RBW)		8PCS
9	<b>FLAT WASHER</b> (Φ7 X 19mm X 2.0 - RBW)		8PCS

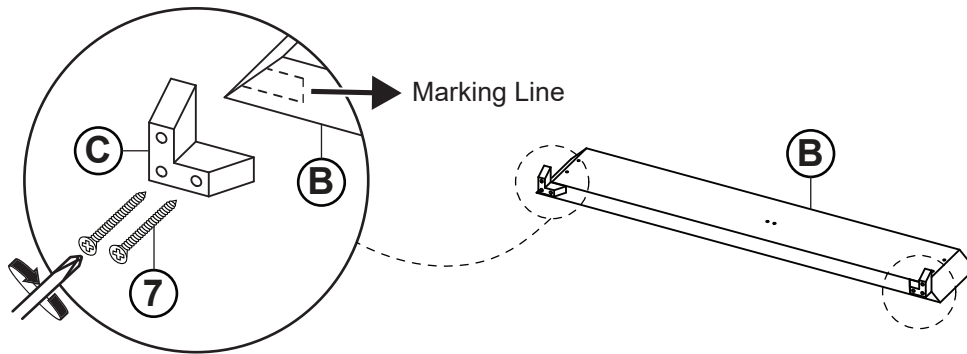
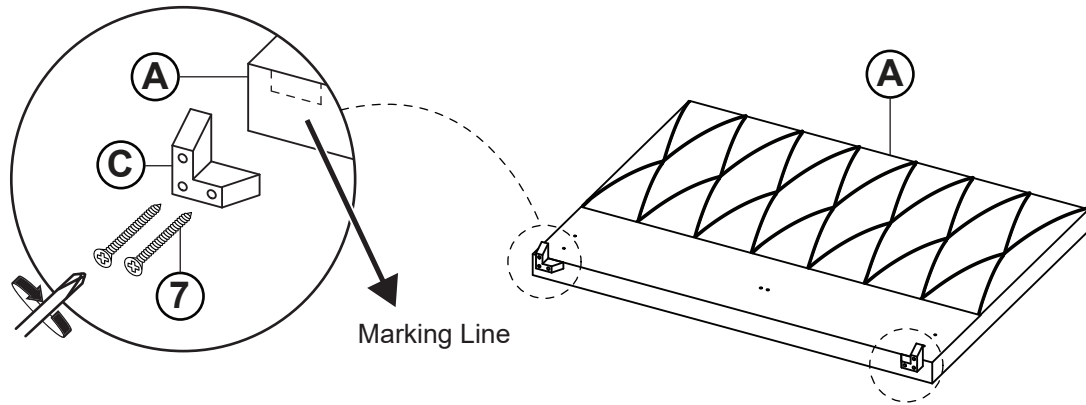
### NOTE:

Phillips head screw driver is required in the assembly process; however, manufacturer does not provide this item.

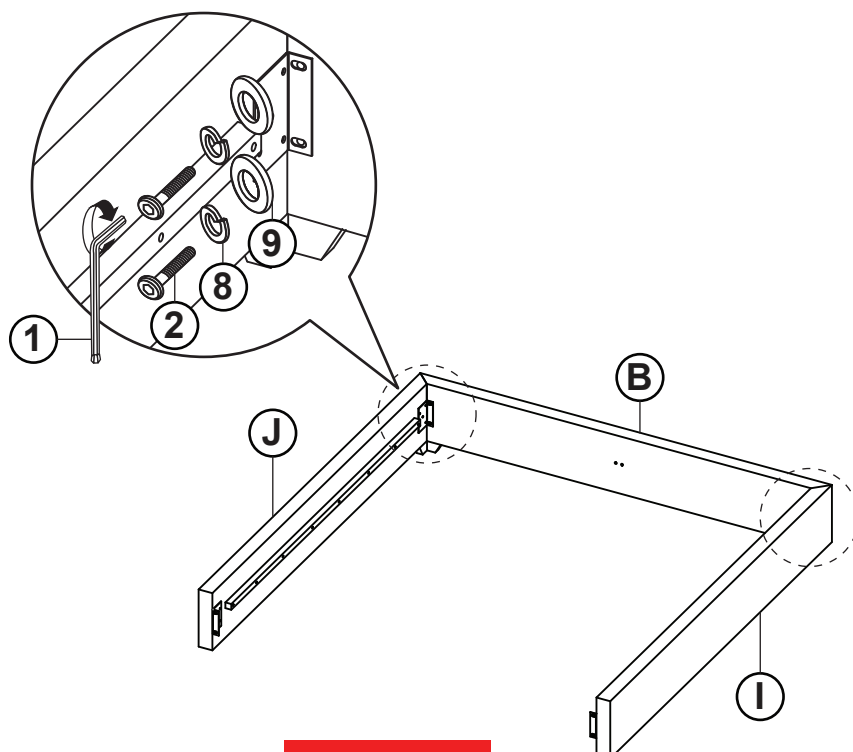
ITEM: **315975Q(B1&B2)**

**ASSEMBLY INSTRUCTIONS**

**STEP 1**



**STEP 2**

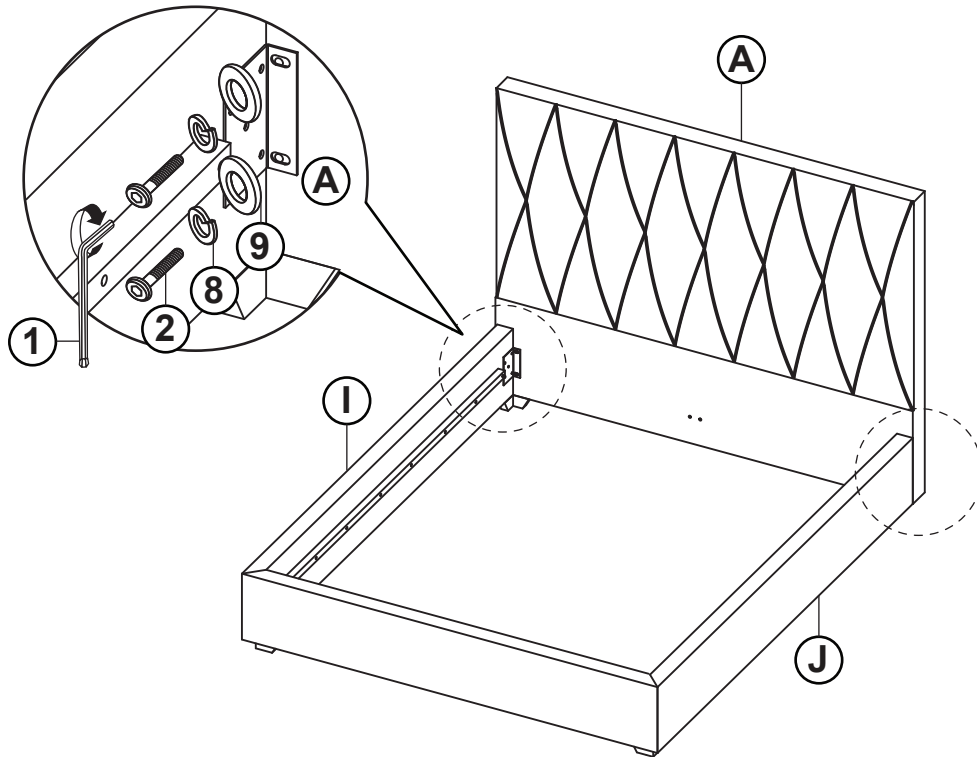


ITEM: **315975Q(B1&B2)**

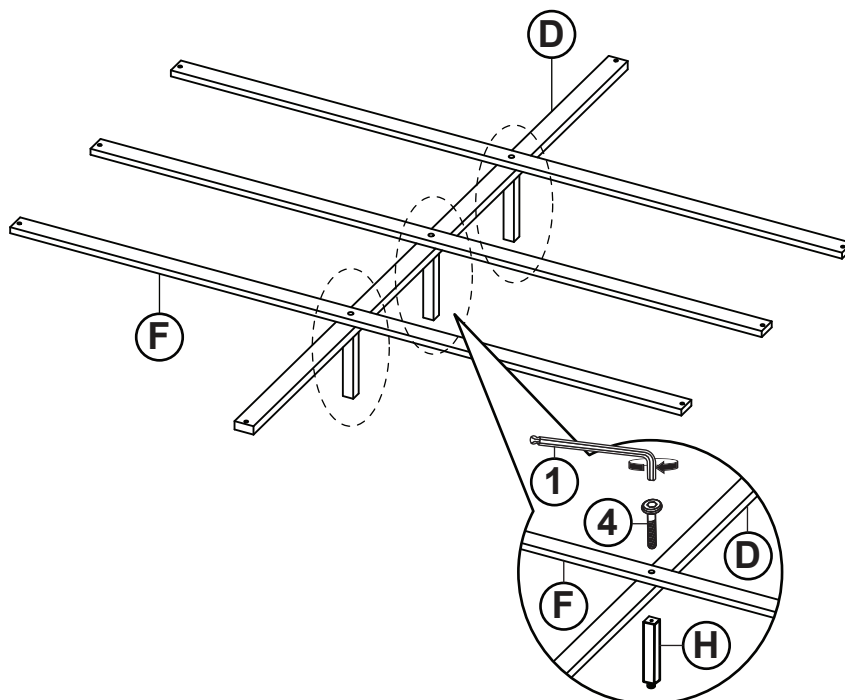


**ASSEMBLY INSTRUCTIONS**

**STEP 3**



**STEP 4**

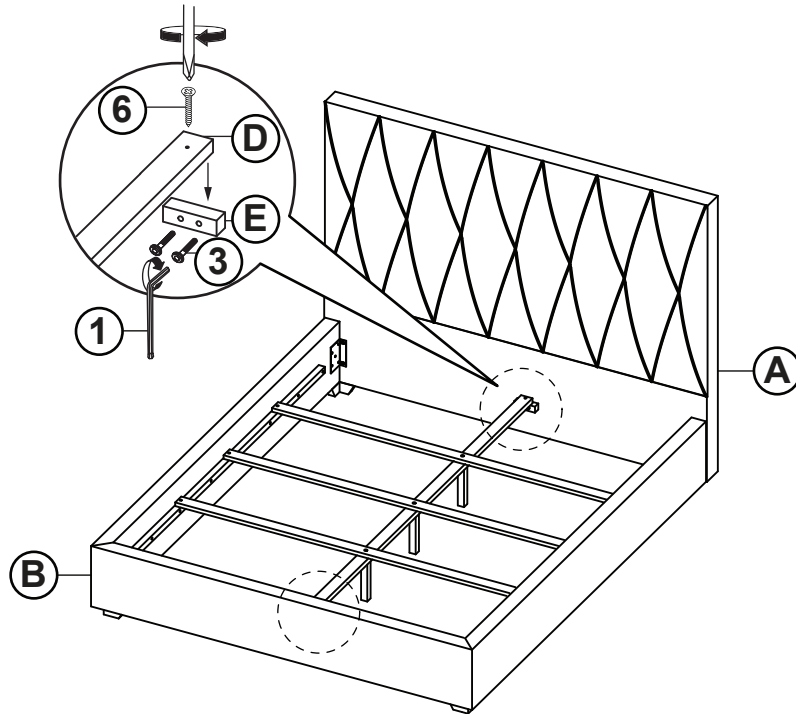


# ITEM: 315975Q(B1&B2)

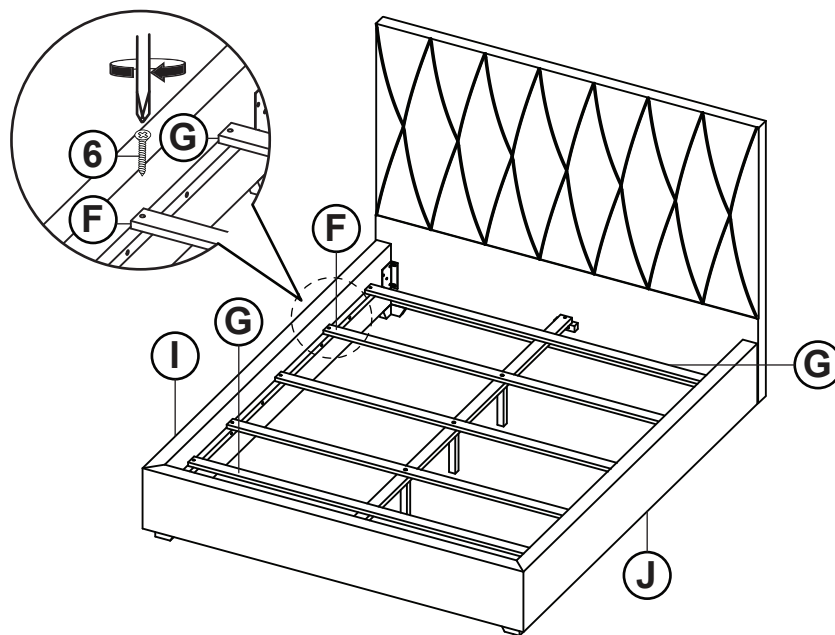
## ASSEMBLY INSTRUCTIONS



### STEP 5



### STEP 6

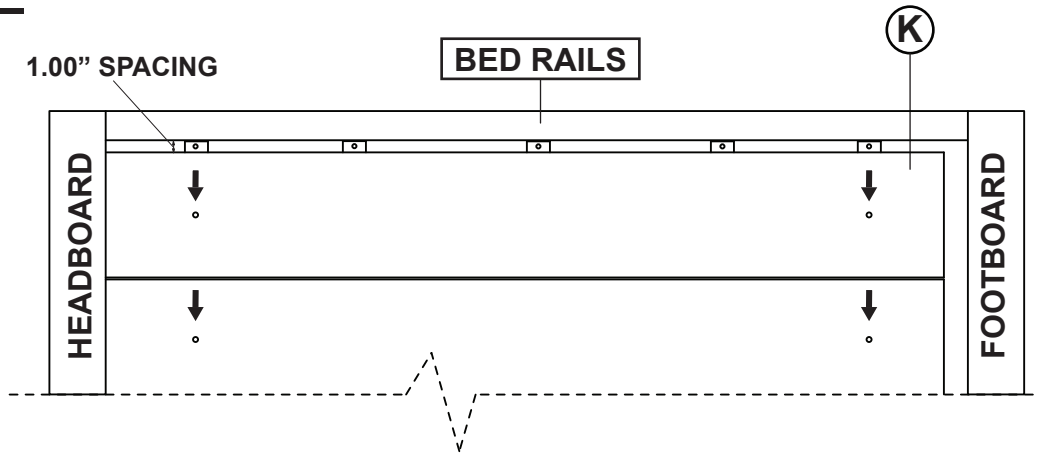


ITEM: **315975Q(B1&B2)**

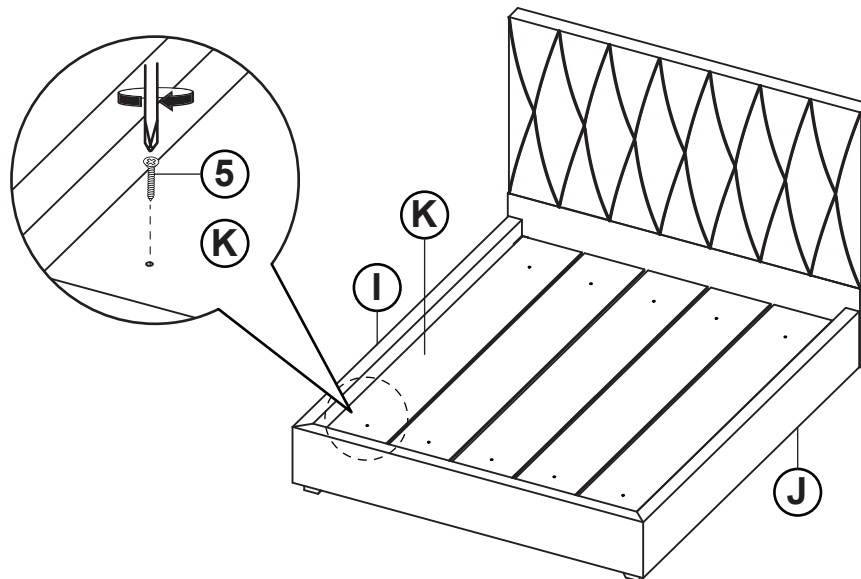


**ASSEMBLY INSTRUCTIONS**

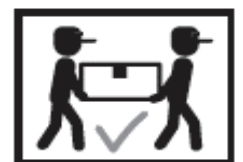
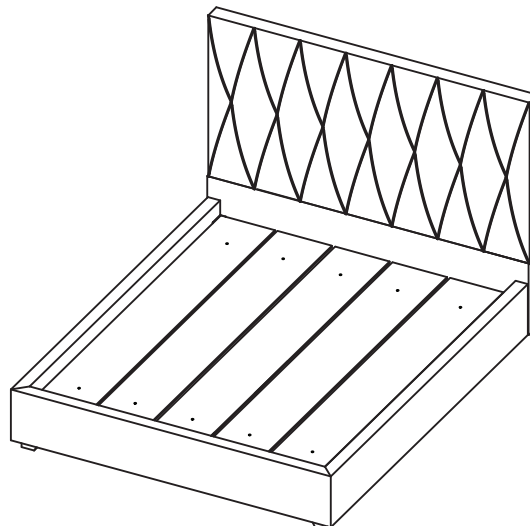
**STEP 7**



TIGHTEN THE FLAT HEAD SCREW(5) BY FOLLOW THE ARROW AS SHOWN.



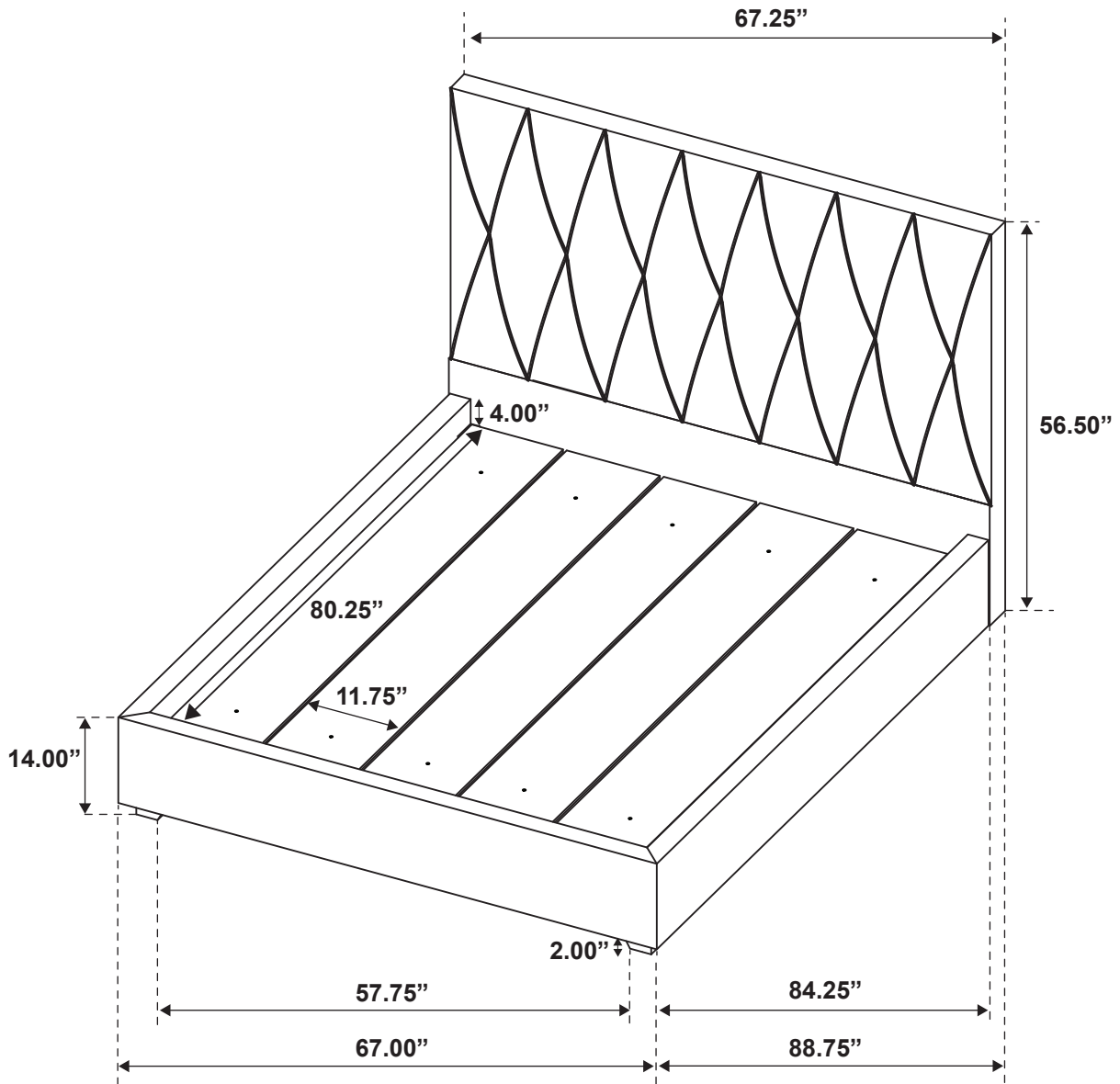
**STEP 8**  
**COMPLETE**



ITEM: 315975Q(B1&B2)



Inner Size : 61.25"W x 81.25"D



Note: Dimension tolerance  $\pm 5\%$