



*ASSEMBLY INSTRUCTIONS
COASTER FINE FURNITURE*



Fine Furniture for every stage of life

115391
Dining Table

ITEM: **115391**



ASSEMBLY INSTRUCTIONS

ASSEMBLY TIPS:

1. Remove hardware from box and sort by size.
2. Please check to see that all hardware and parts are present prior to start of assembly.
3. Please follow attached instructions in the same sequence as numbered to assure fast & easy assembly.



WARNING!

1. Don't attempt to repair or modify parts that are broken or defective. Please contact the store immediately.
2. This product is for home use only and not intended for commercial establishments.



ASSEMBLY TIME

10 MINUTES

PARTS IDENTIFICATION

A	TOP		1PC	E	UPPER MOUNTING PLATE		2PCS
B	LEAF		1PC	F	LOWER MOUNTING PLATE		2PCS
C	LEG		2PCS	G	CROSSBAR		1PC
D	BASE		1PC				

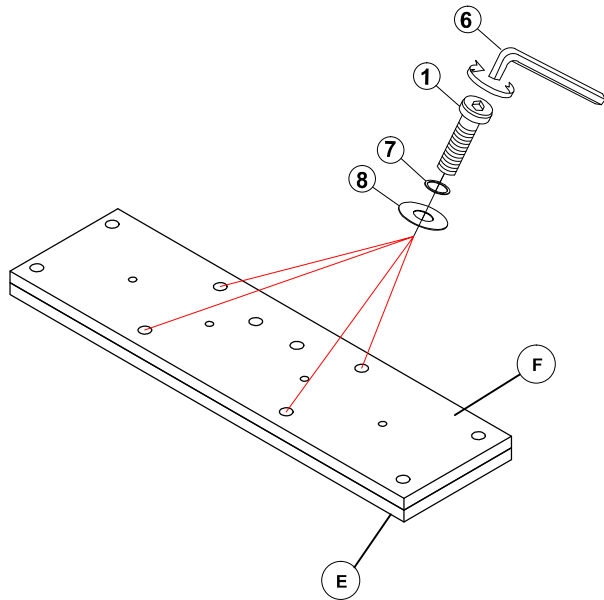
HARDWARE IDENTIFICATION

1	SHORT BOLT (1/4" x 32mm - BLK)		12PCS	5	BIG FLAT WASHER (5/16" x 19 x 1.5mm - BLK)		30PCS
2	MEDIUM BOLT (5/16" x 40mm - BLK)		22PCS	6	ALLEN WRENCH (74 x 30 x 4mm - BLK)		1PC
3	LONG BOLT (5/16" x 50mm - BLK)		8PCS	7	SMALL LOCK WASHER (1/4" - BLK)		12PCS
4	BIG LOCK WASHER (5/16" - BLK)		30PCS	8	SMALL FLAT WASHER (1/4" x 19 x 1.5mm - BLK)		12PCS

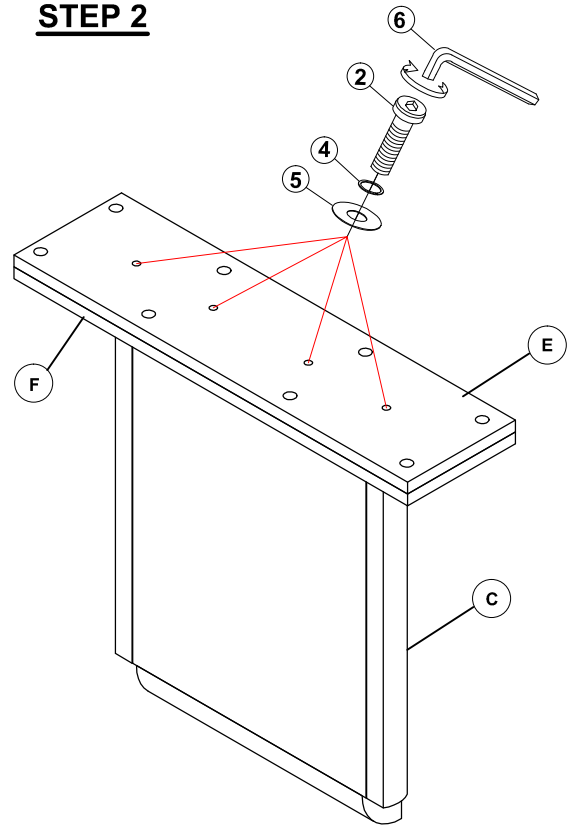
ITEM: **115391**
ASSEMBLY INSTRUCTIONS



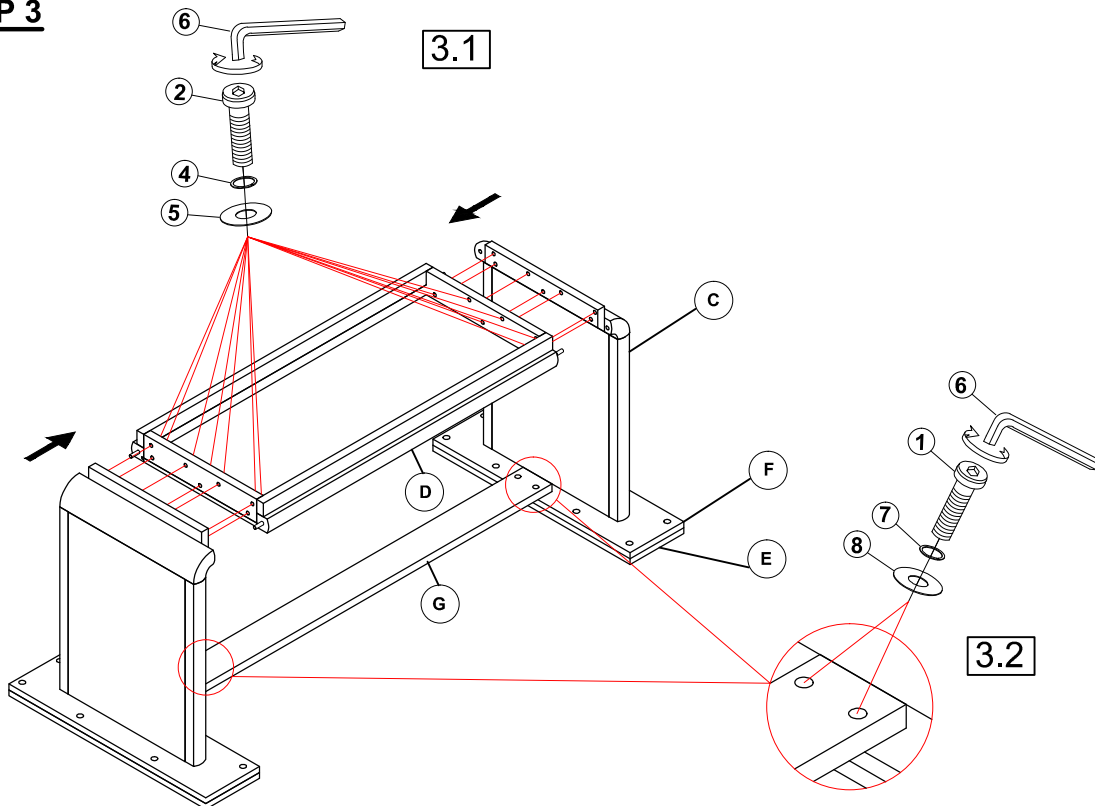
STEP 1



STEP 2



STEP 3

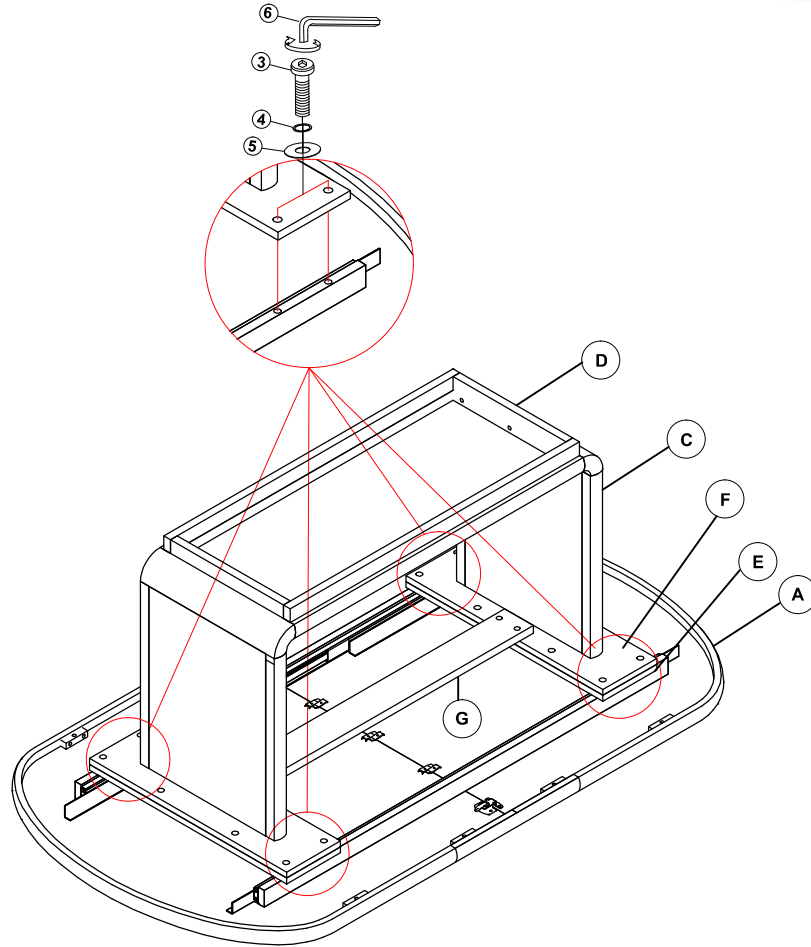


ITEM: **115391**

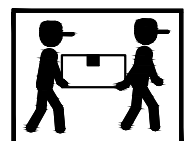
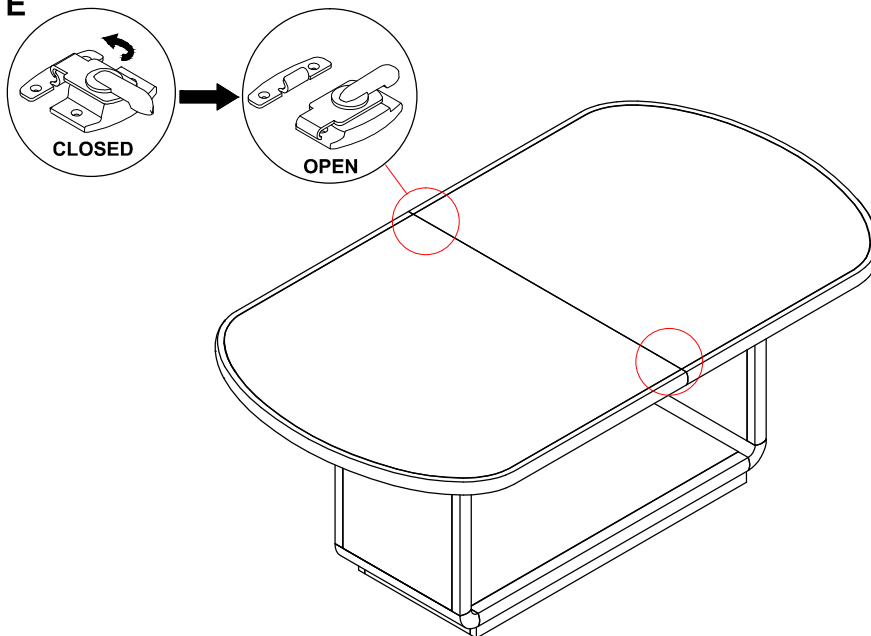
ASSEMBLY INSTRUCTIONS



STEP 4



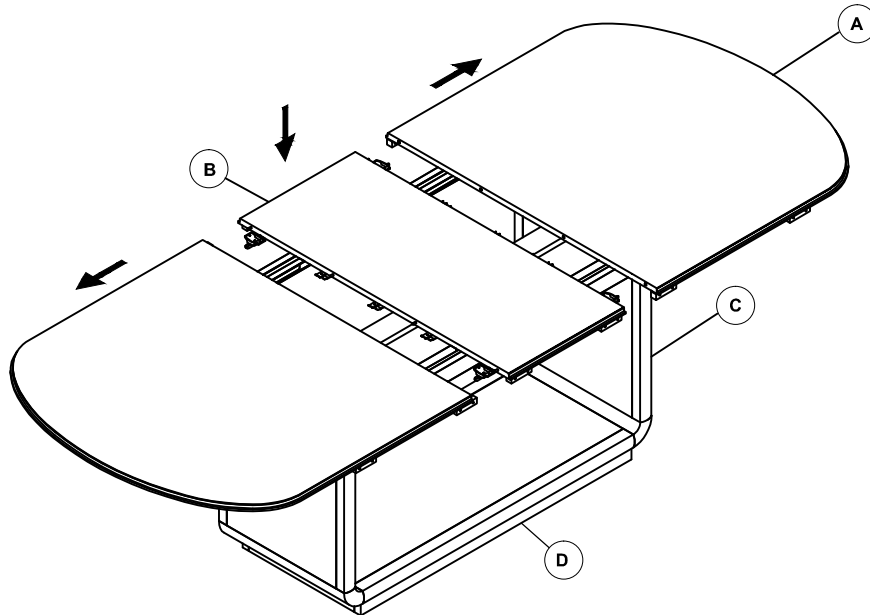
STEP 5 COMPLETE



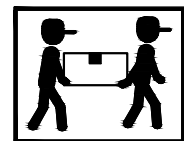
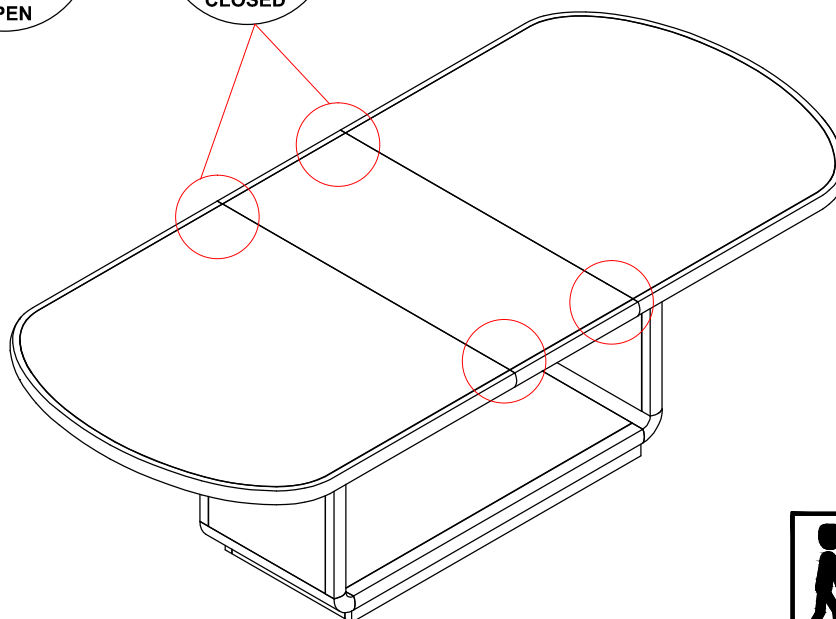
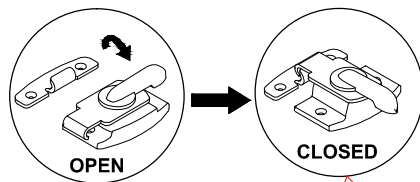
ITEM: **115391**
ASSEMBLY INSTRUCTIONS



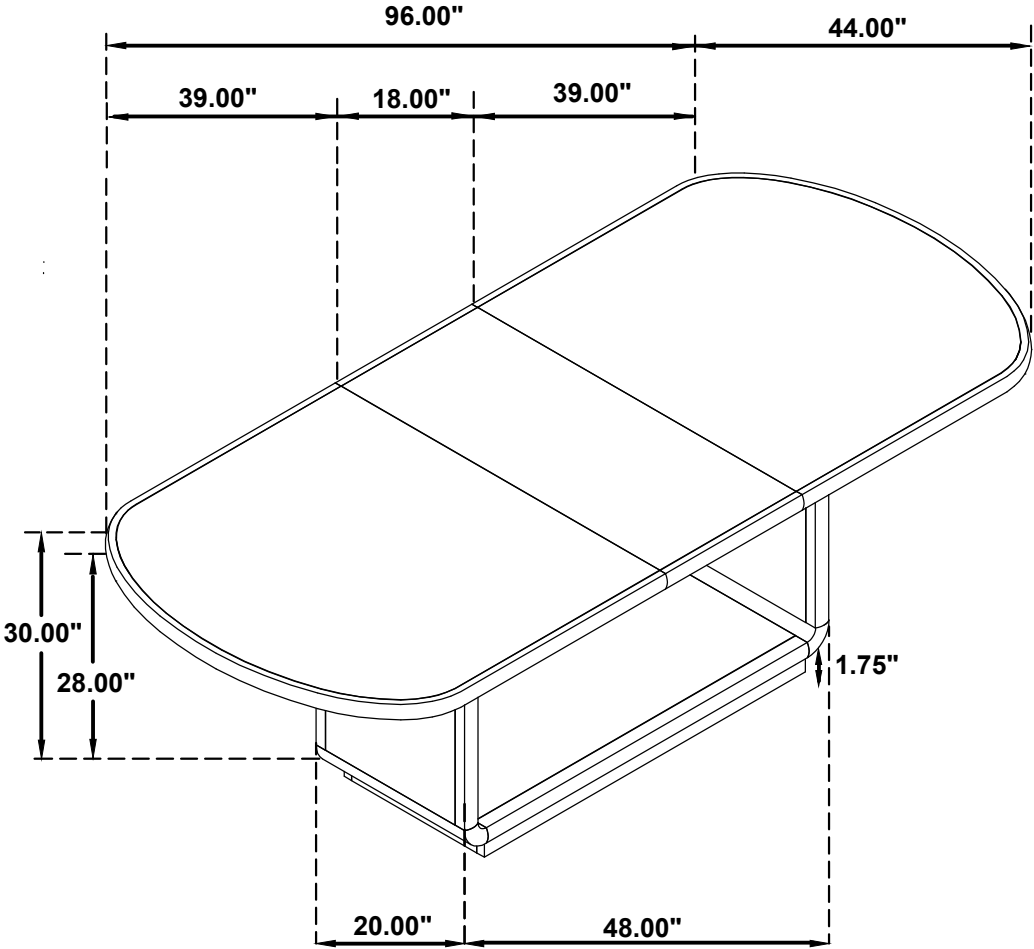
STEP 6



STEP 7
COMPLETE



ITEM: 115391



Note: Dimension tolerance $\pm 5\%$



ASSEMBLY INSTRUCTIONS
COASTER FINE FURNITURE



Fine Furniture for every stage of life

115392
Side Chair

ITEM: **115392**



ASSEMBLY INSTRUCTIONS

ASSEMBLY TIPS:

1. Remove hardware from box and sort by size.
2. Please check to see that all hardware and parts are present prior to start of assembly.
3. Please follow attached instructions in the same sequence as numbered to assure fast & easy assembly.



WARNING!




1. Don't attempt to repair or modify parts that are broken or defective. Please contact the store immediately.
2. This product is for home use only and not intended for commercial establishments.





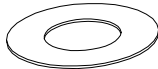

ASSEMBLY TIME

15 MINUTES

PARTS IDENTIFICATION

A	SEAT AND BACK		1PC
B	FRONT LEG		2PCS
C	BACK LEG		2PCS

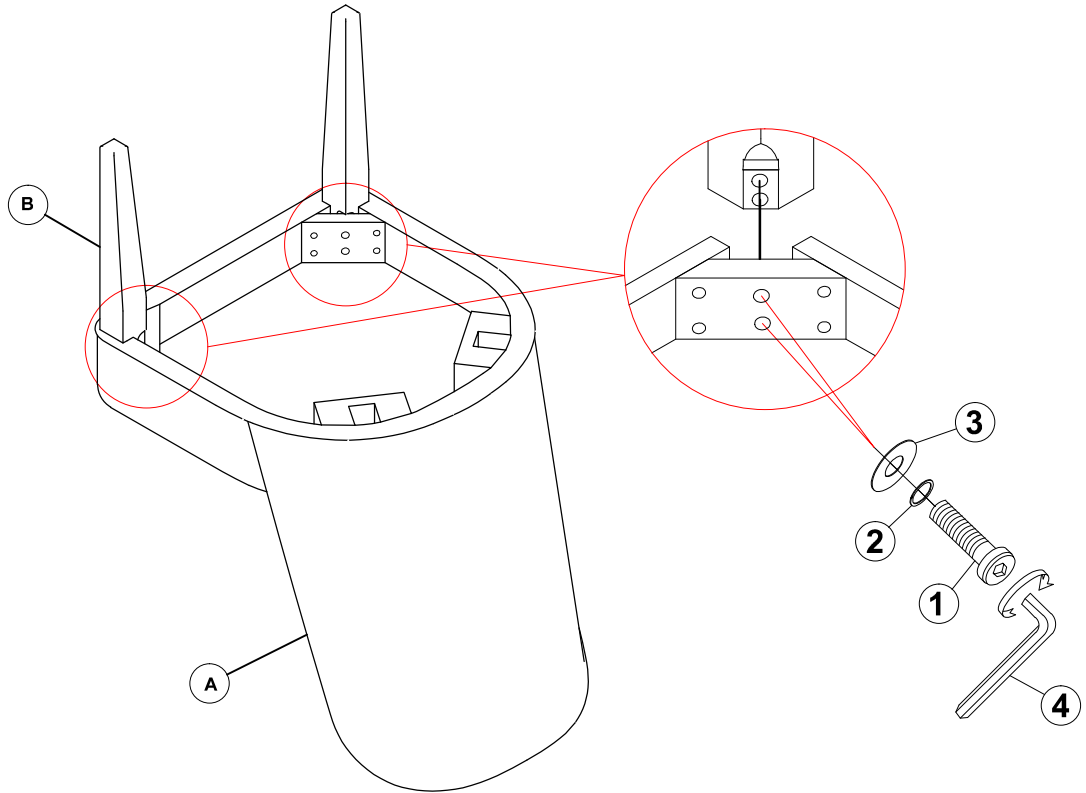
HARDWARE IDENTIFICATION

1	BOLT (5/16" x 50mm - BLK)		8PCS
2	LOCK WASHER (5/16" - BLK)		8PCS
3	FLAT WASHER (5/16" x 19 x 1.5mm - BLK)		8PCS
4	ALLEN WRENCH (74 x 30 x 4mm - BLK)		1PC

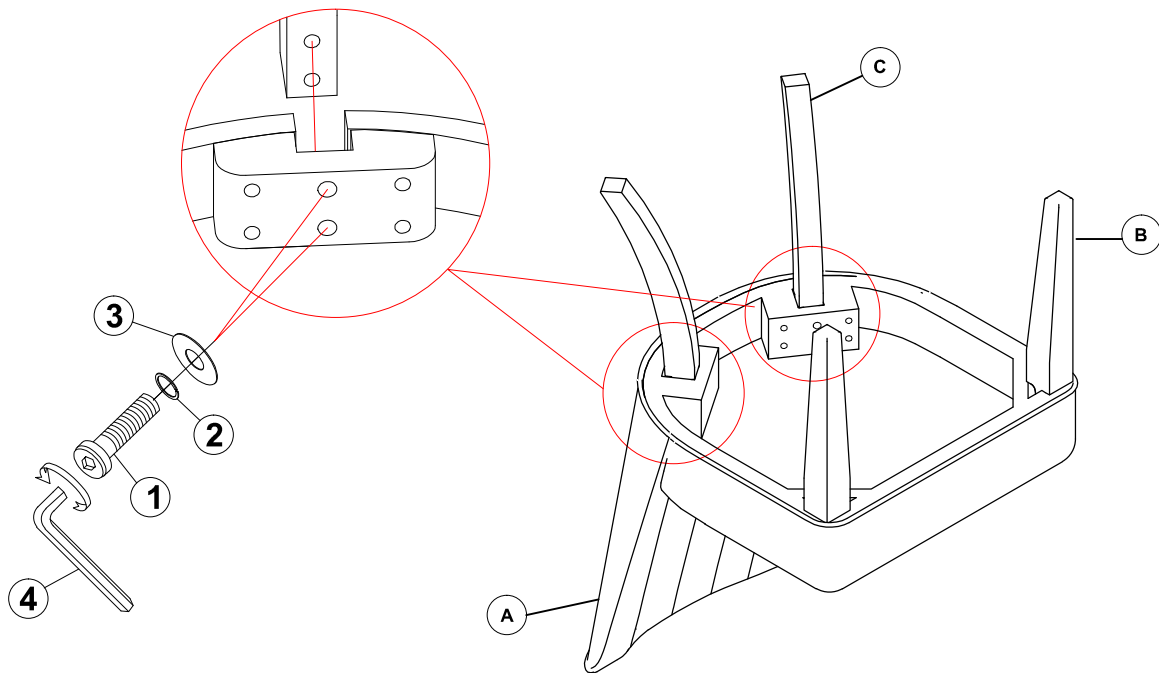
ITEM: **115392**

ASSEMBLY INSTRUCTIONS

STEP 1



STEP 2



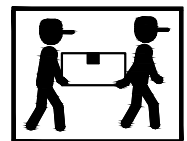
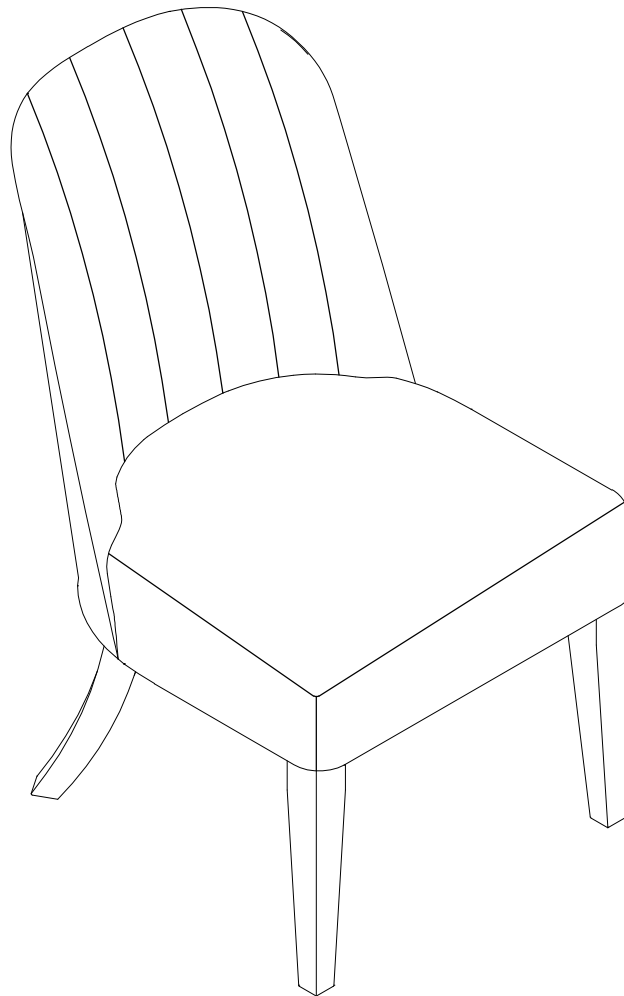
ITEM: **115392**



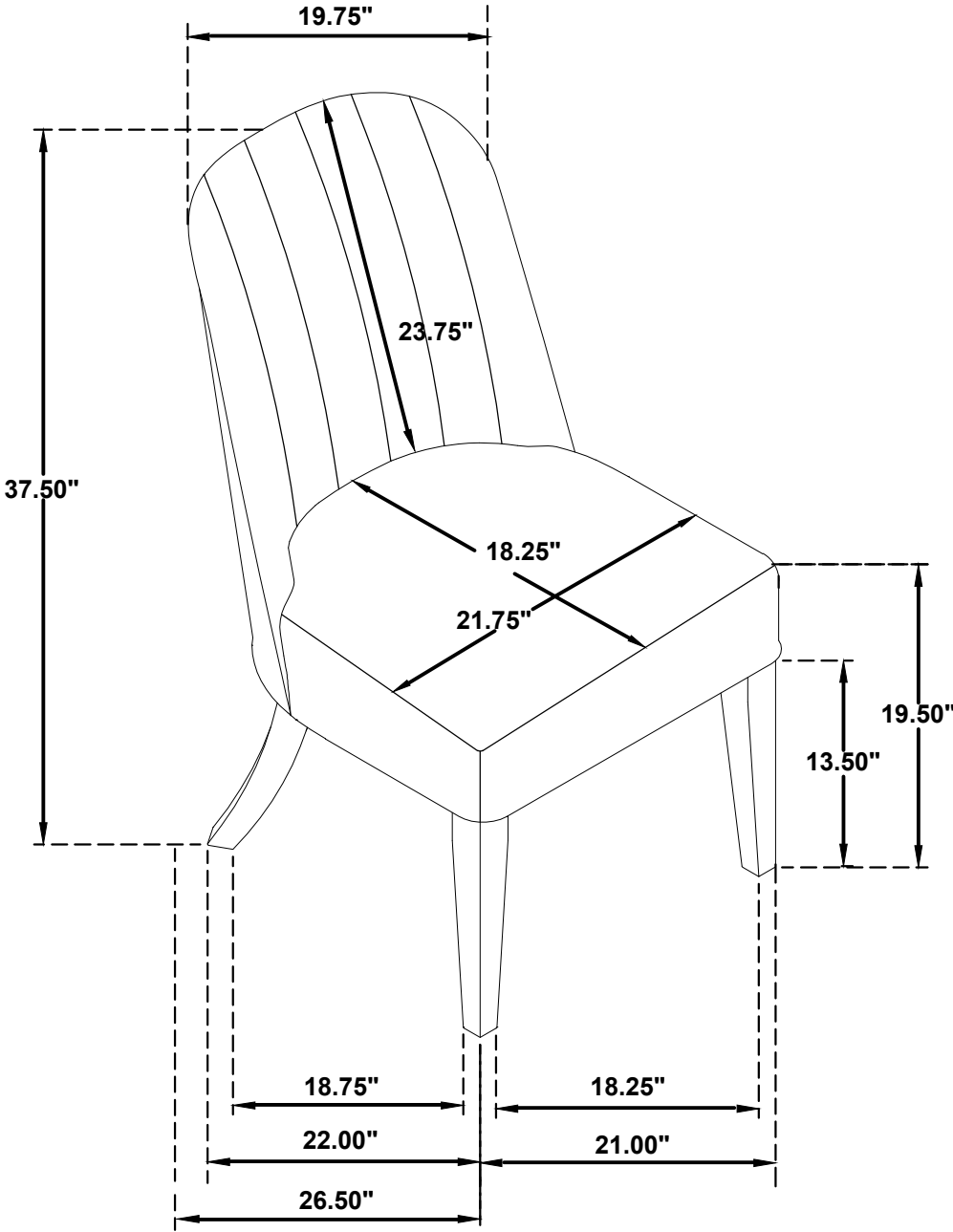
ASSEMBLY INSTRUCTIONS

STEP 3

COMPLETE



ITEM: 115392



Note: Dimension tolerance $\pm 5\%$