



*ASSEMBLY INSTRUCTIONS  
COASTER FINE FURNITURE*



*Fine Furniture for every stage of life*

**115391**  
**Dining Table**

ITEM: **115391**



# ASSEMBLY INSTRUCTIONS

## ASSEMBLY TIPS:

1. Remove hardware from box and sort by size.
2. Please check to see that all hardware and parts are present prior to start of assembly.
3. Please follow attached instructions in the same sequence as numbered to assure fast & easy assembly.



### WARNING!

1. Don't attempt to repair or modify parts that are broken or defective. Please contact the store immediately.
2. This product is for home use only and not intended for commercial establishments.



**ASSEMBLY TIME**

**10 MINUTES**

## PARTS IDENTIFICATION

<b>A</b>	<b>TOP</b>		<b>1PC</b>	<b>E</b>	<b>UPPER MOUNTING PLATE</b>		<b>2PCS</b>
<b>B</b>	<b>LEAF</b>		<b>1PC</b>	<b>F</b>	<b>LOWER MOUNTING PLATE</b>		<b>2PCS</b>
<b>C</b>	<b>LEG</b>		<b>2PCS</b>	<b>G</b>	<b>CROSSBAR</b>		<b>1PC</b>
<b>D</b>	<b>BASE</b>		<b>1PC</b>				

## HARDWARE IDENTIFICATION

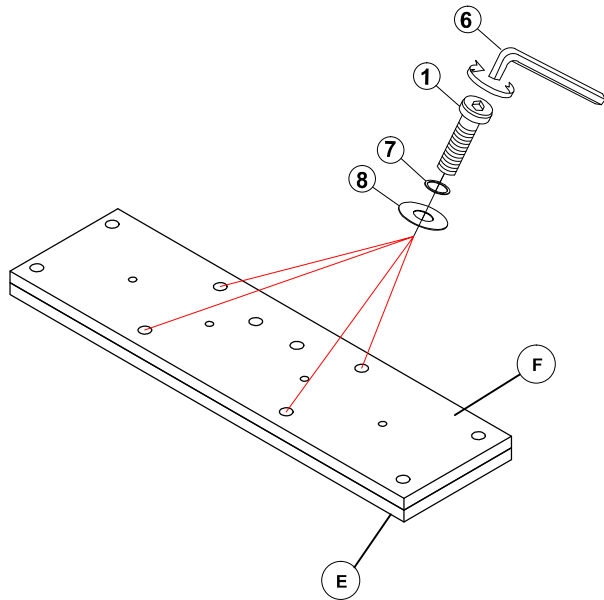
<b>1</b>	<b>SHORT BOLT</b> (1/4" x 32mm - BLK)		<b>12PCS</b>	<b>5</b>	<b>BIG FLAT WASHER</b> (5/16" x 19 x 1.5mm - BLK)		<b>30PCS</b>
<b>2</b>	<b>MEDIUM BOLT</b> (5/16" x 40mm - BLK)		<b>22PCS</b>	<b>6</b>	<b>ALLEN WRENCH</b> (74 x 30 x 4mm - BLK)		<b>1PC</b>
<b>3</b>	<b>LONG BOLT</b> (5/16" x 50mm - BLK)		<b>8PCS</b>	<b>7</b>	<b>SMALL LOCK WASHER</b> (1/4" - BLK)		<b>12PCS</b>
<b>4</b>	<b>BIG LOCK WASHER</b> (5/16" - BLK)		<b>30PCS</b>	<b>8</b>	<b>SMALL FLAT WASHER</b> (1/4" x 19 x 1.5mm - BLK)		<b>12PCS</b>

# ITEM: 115391

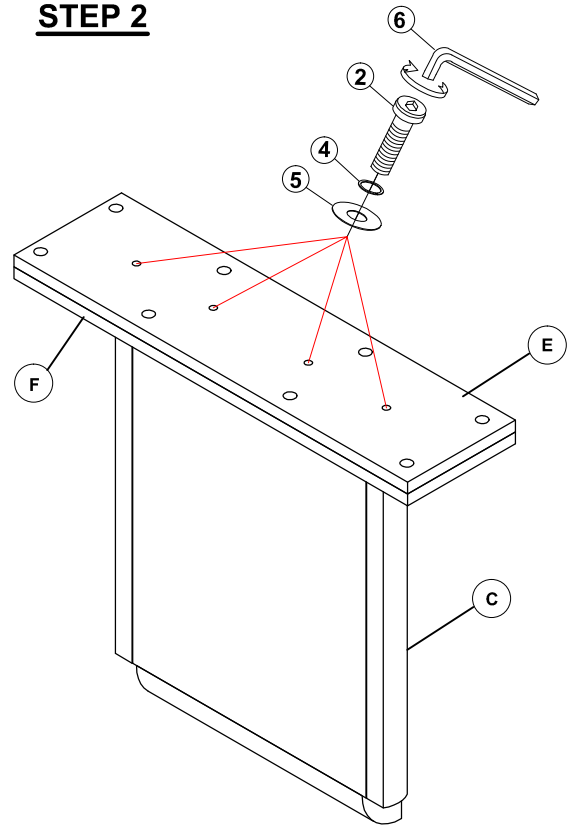
## ASSEMBLY INSTRUCTIONS



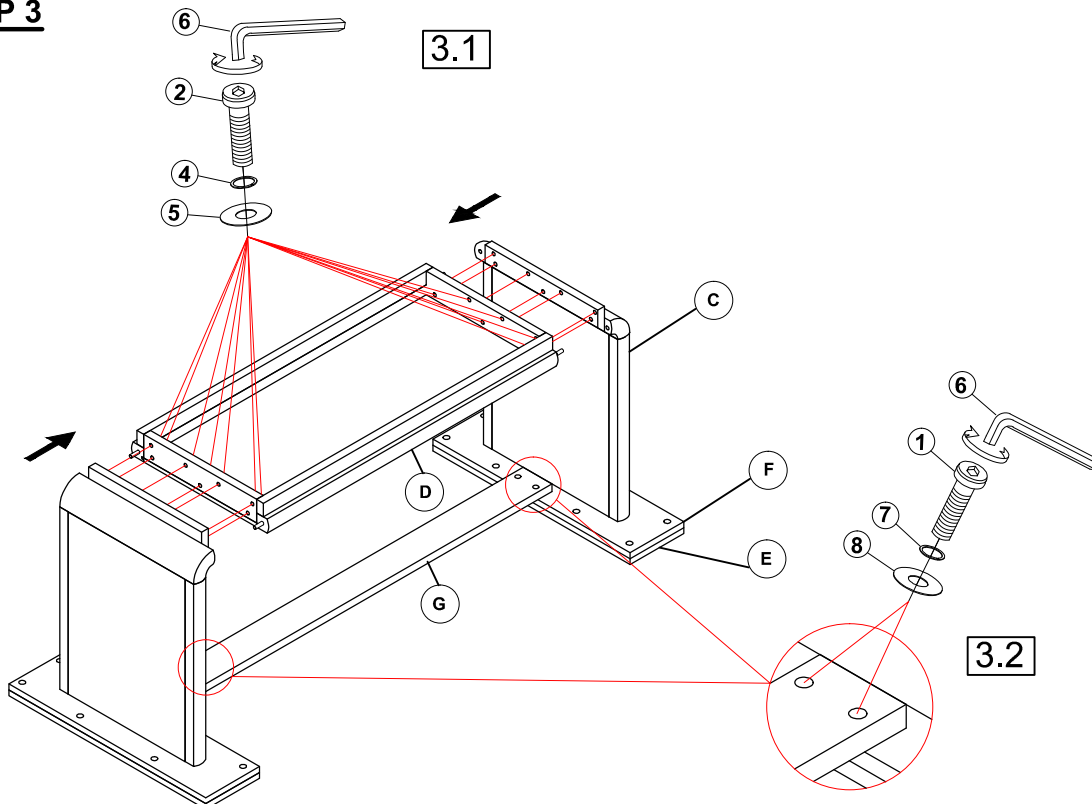
### STEP 1



### STEP 2



### STEP 3

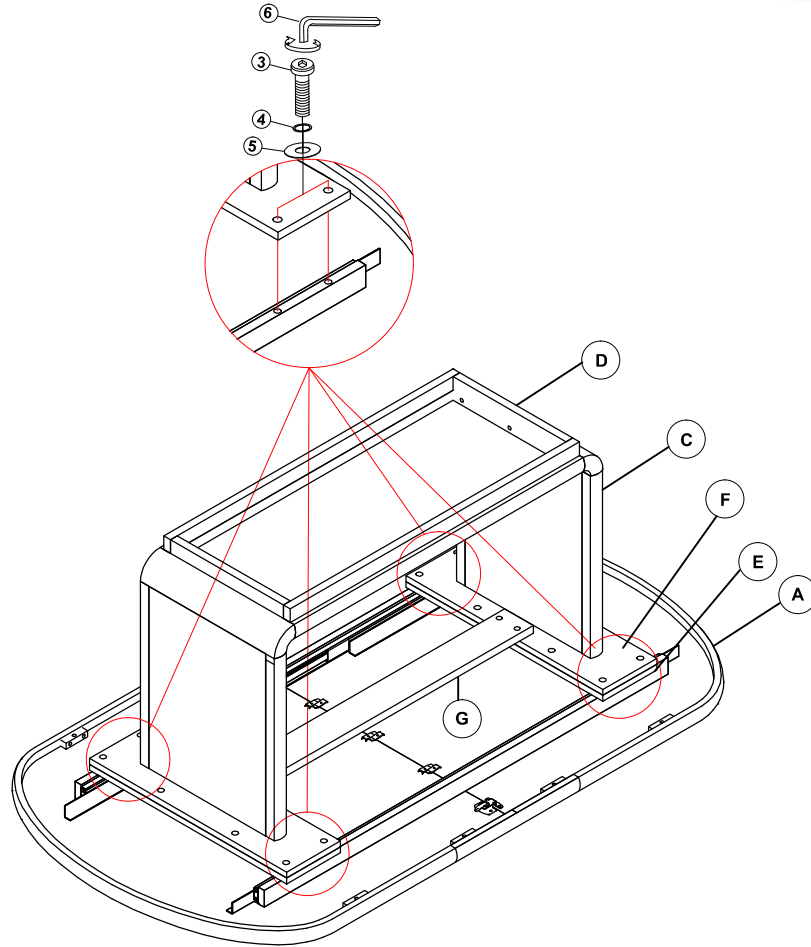


ITEM: **115391**

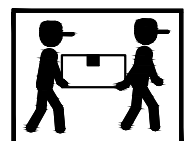
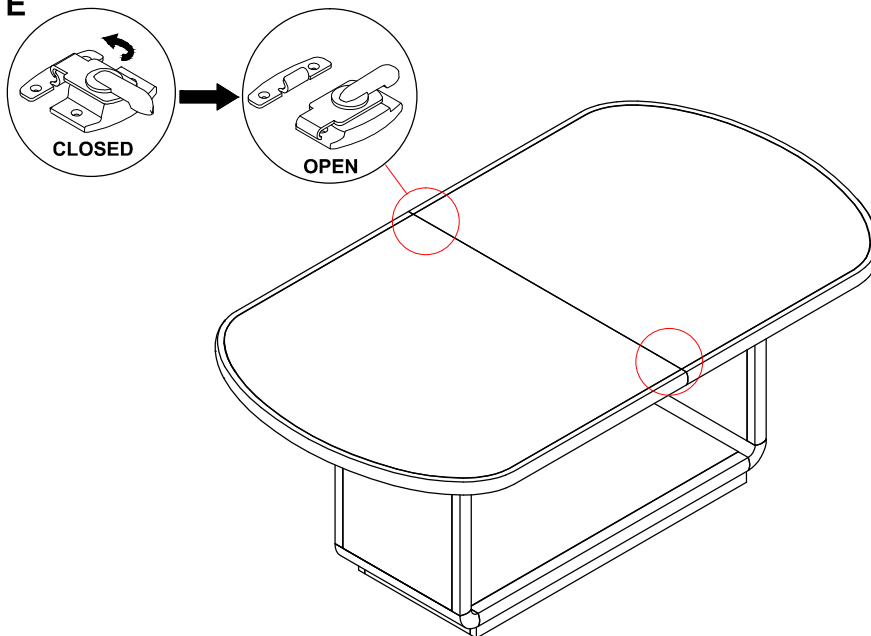
# ASSEMBLY INSTRUCTIONS



## STEP 4



## STEP 5 COMPLETE

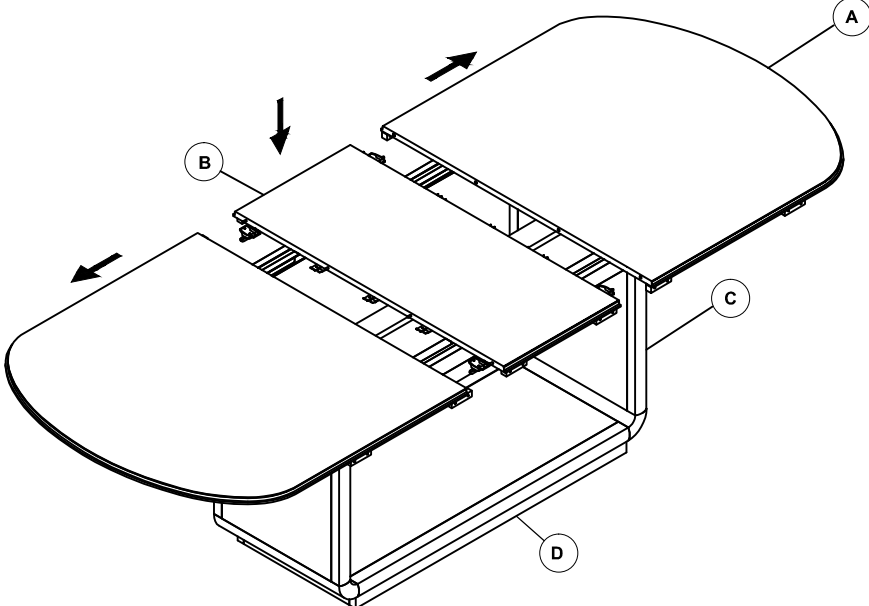


ITEM: **115391**

**ASSEMBLY INSTRUCTIONS**

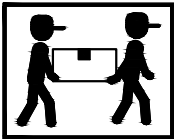
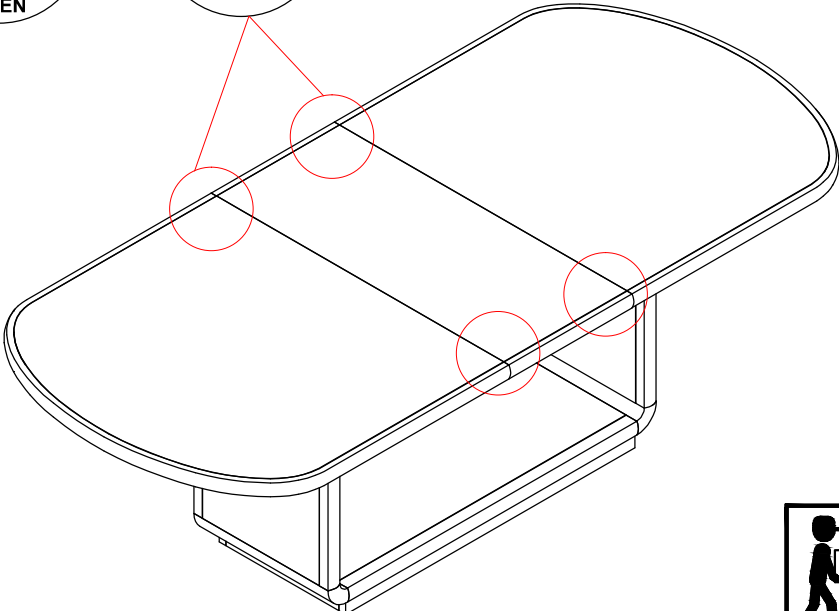
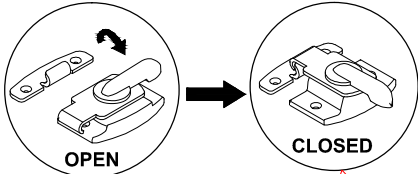


**STEP 6**

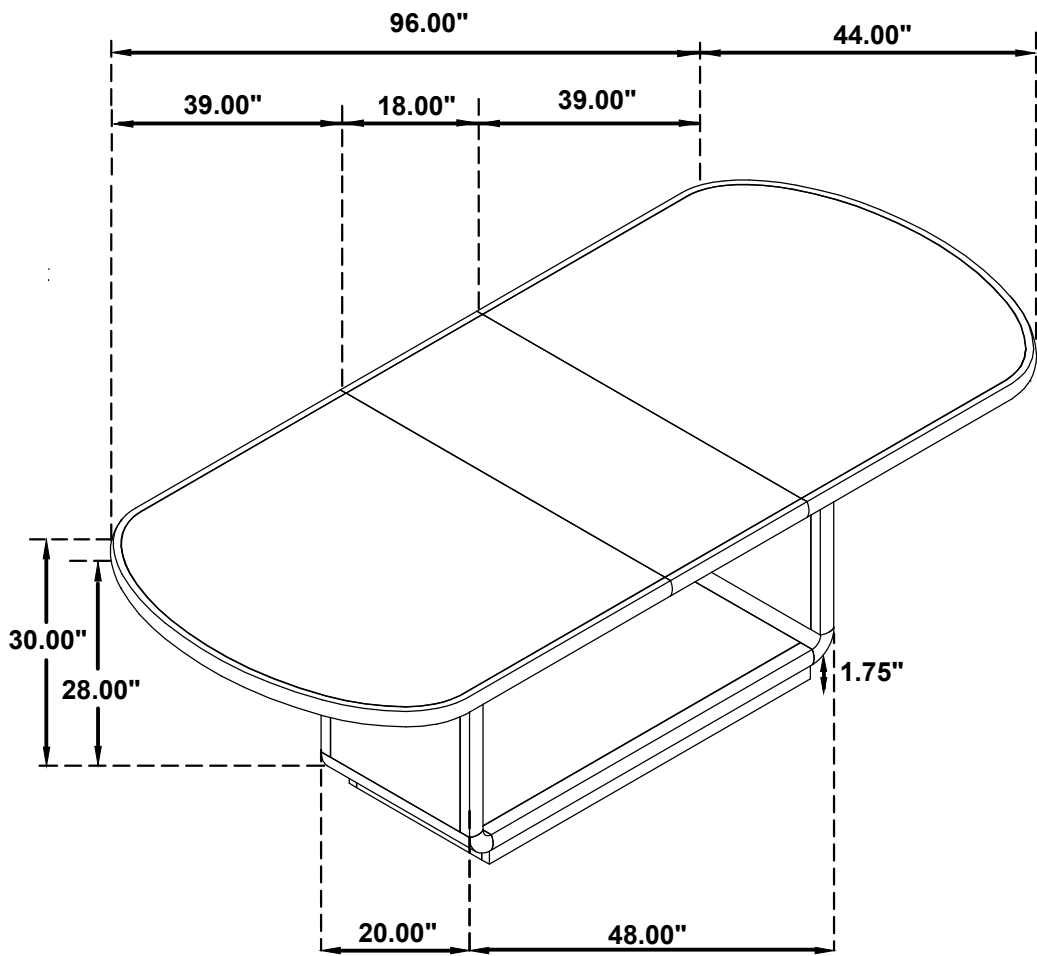


**STEP 7**

**COMPLETE**



ITEM: 115391



Note: Dimension tolerance  $\pm 5\%$



*ASSEMBLY INSTRUCTIONS*  
*COASTER FINE FURNITURE*



*Fine Furniture for every stage of life*

**115392**  
**Side Chair**

ITEM: **115392**



## ASSEMBLY INSTRUCTIONS

### ASSEMBLY TIPS:

1. Remove hardware from box and sort by size.
2. Please check to see that all hardware and parts are present prior to start of assembly.
3. Please follow attached instructions in the same sequence as numbered to assure fast & easy assembly.



### WARNING!




1. Don't attempt to repair or modify parts that are broken or defective. Please contact the store immediately.
2. This product is for home use only and not intended for commercial establishments.





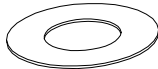

ASSEMBLY TIME

15 MINUTES

## PARTS IDENTIFICATION

A	SEAT AND BACK		1PC
B	FRONT LEG		2PCS
C	BACK LEG		2PCS

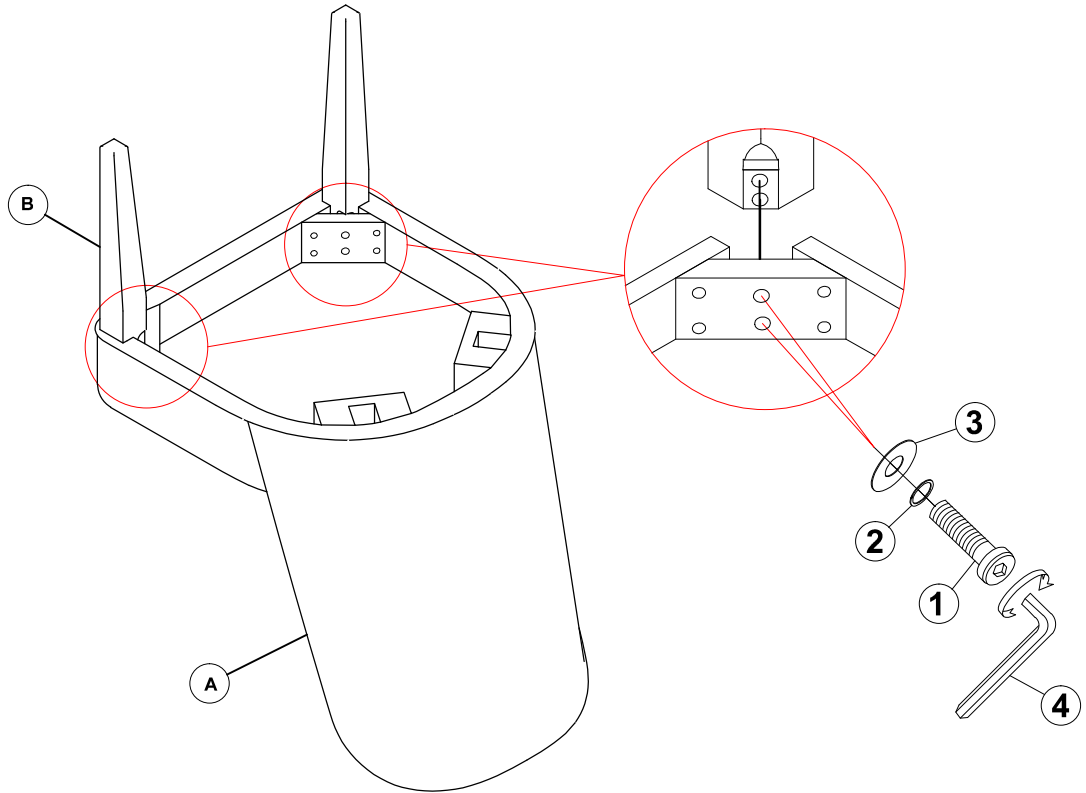
## HARDWARE IDENTIFICATION

1	<b>BOLT</b> (5/16" x 50mm - BLK)		8PCS
2	<b>LOCK WASHER</b> (5/16" - BLK)		8PCS
3	<b>FLAT WASHER</b> (5/16" x 19 x 1.5mm - BLK)		8PCS
4	<b>ALLEN WRENCH</b> (74 x 30 x 4mm - BLK)		1PC

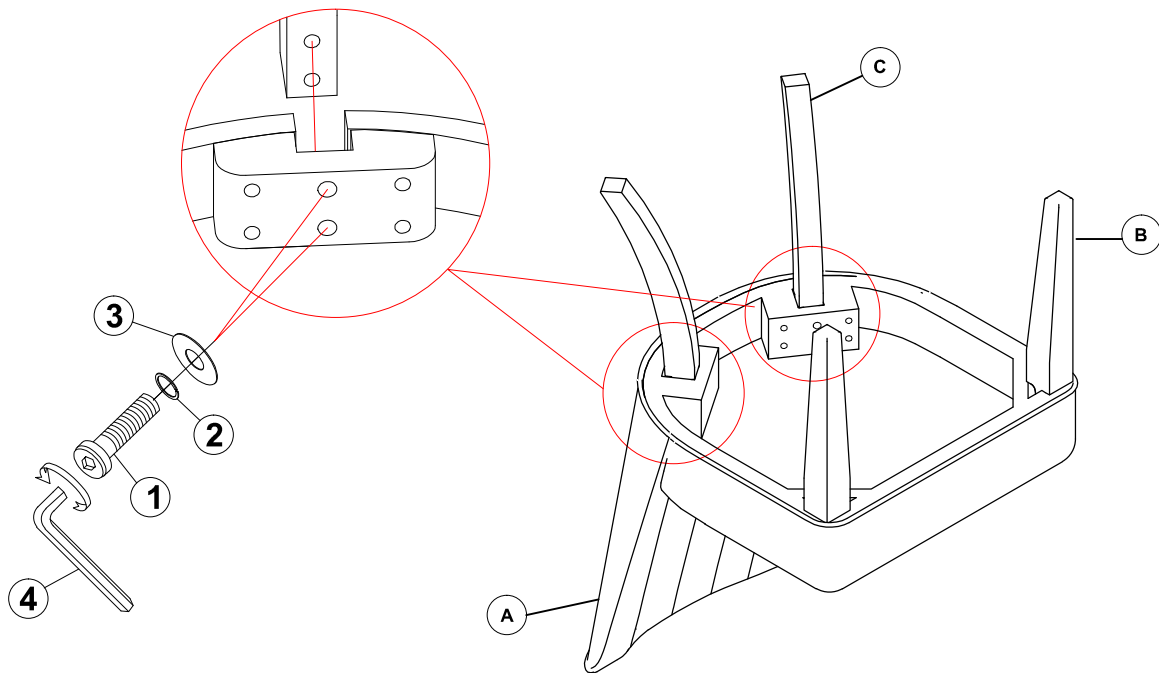
ITEM: **115392**

**ASSEMBLY INSTRUCTIONS**

**STEP 1**



**STEP 2**

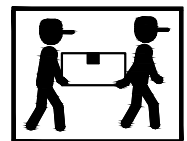
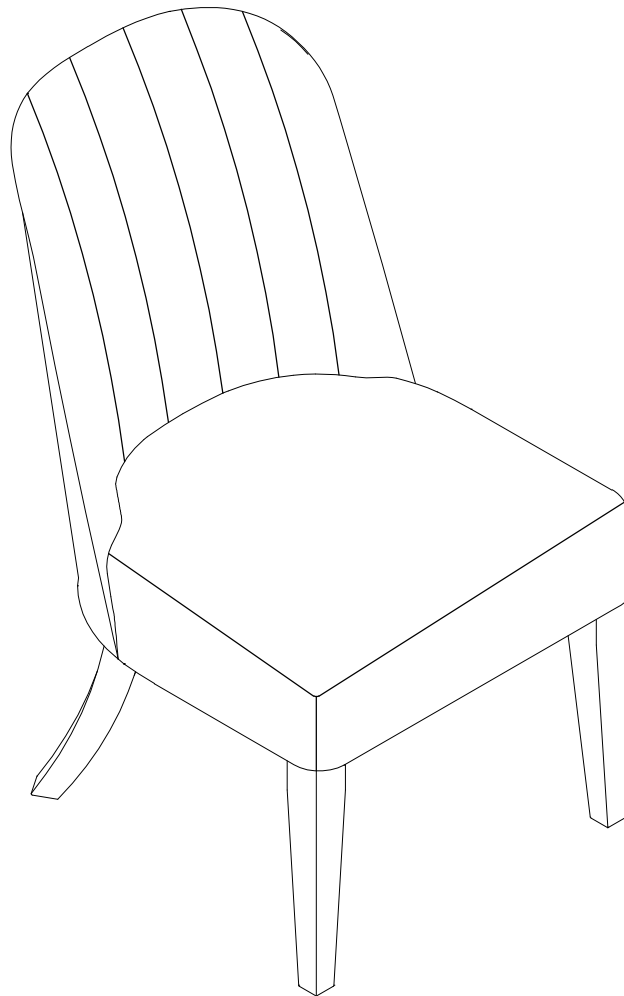


ITEM: **115392**

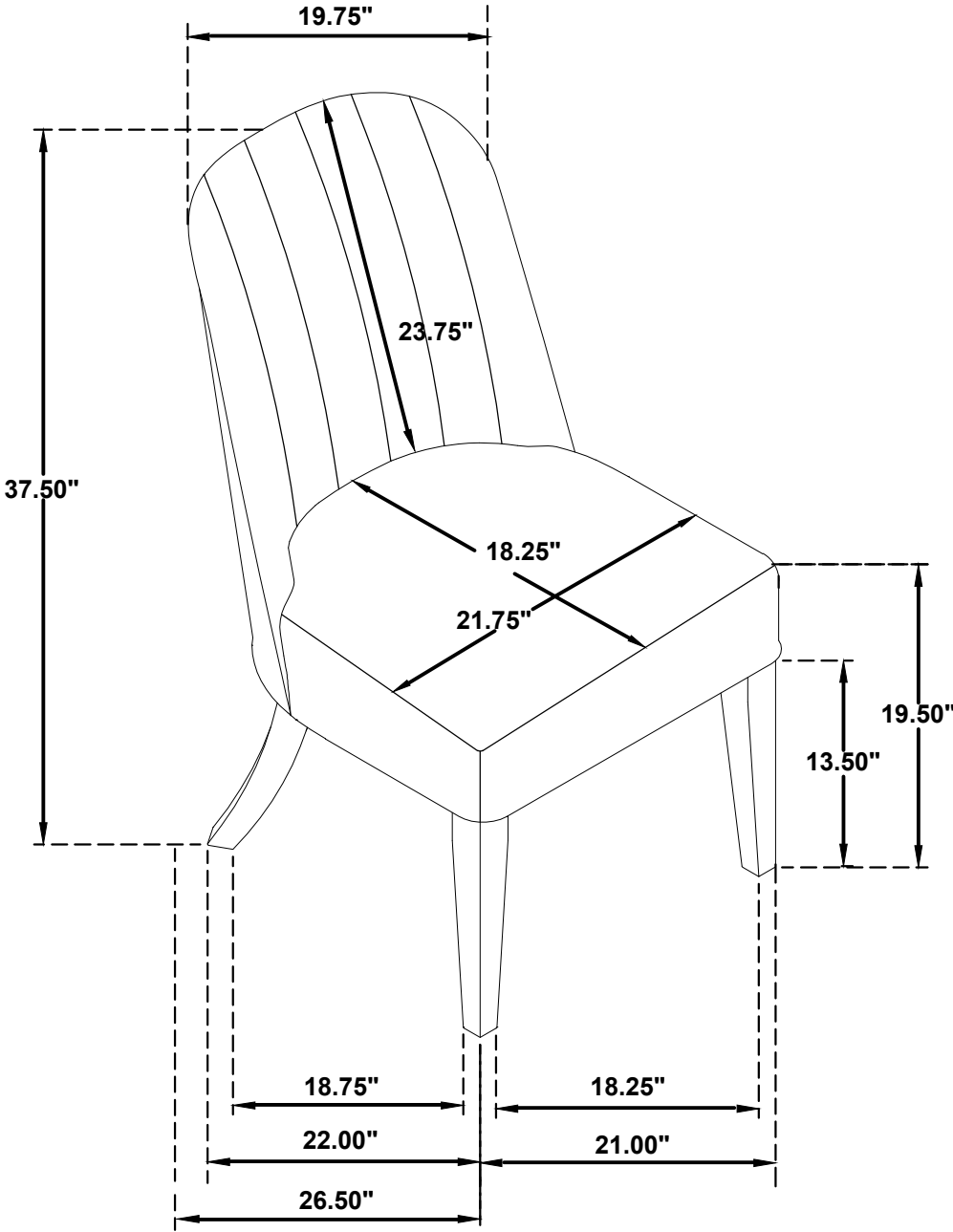
**ASSEMBLY INSTRUCTIONS**

**STEP 3**

**COMPLETE**



ITEM: 115392



Note: Dimension tolerance ±5%